



US00D725767S

(12) **United States Design Patent**
Hoshino et al.

(10) **Patent No.:** **US D725,767 S**
(45) **Date of Patent:** **** Mar. 31, 2015**

(54) **SWING RANGE HOOD**
(71) Applicant: **Broan-NuTone LLC**, Hartford, WI (US)
(72) Inventors: **Kiyoshi Hoshino**, Pewaukee, WI (US);
Benjamin Puffer, Hartford, WI (US);
David Pringle, Hartford, WI (US)
(73) Assignee: **Broan-NuTone LLC**, Hartford, WI (US)

(**) Term: **14 Years**

(21) Appl. No.: **29/456,870**

(22) Filed: **Jun. 4, 2013**

(51) **LOC (10) Cl.** **23-04**

(52) **U.S. Cl.**
USPC **D23/372**

(58) **Field of Classification Search**
CPC F24C 15/2042; F24C 15/2007; F24C
15/205; F24C 15/2064; F24C 15/2071;
F24C 15/2078; F24C 15/2085; F24C 15/2092
USPC D23/370-372, 385-386, 388, 393, 411;
126/299 D, 299 R
See application file for complete search history.

(56) **References Cited**

U.S. PATENT DOCUMENTS

D460,547 S * 7/2002 Li D23/372
6,470,880 B1 * 10/2002 Chang 126/299 D
D526,711 S * 8/2006 Galeazzi et al. D23/372

D532,894 S * 11/2006 Cheng D23/372
D535,009 S * 1/2007 Sinur et al. D23/372
D557,397 S * 12/2007 Sinur et al. D23/372
D576,264 S * 9/2008 Grobleben D23/372
D592,741 S * 5/2009 Miura D23/372
D610,670 S * 2/2010 Grey D23/372
D621,022 S * 8/2010 Funnell D23/372
2006/0249141 A1 * 11/2006 Sinur et al. 126/299 R
2010/0095949 A1 * 4/2010 Huang 126/299 D

* cited by examiner

Primary Examiner — Susan Bennett Hattan

Assistant Examiner — Janice Hallmark

(74) *Attorney, Agent, or Firm* — Schwegman Lundberg & Woessner, P.A.

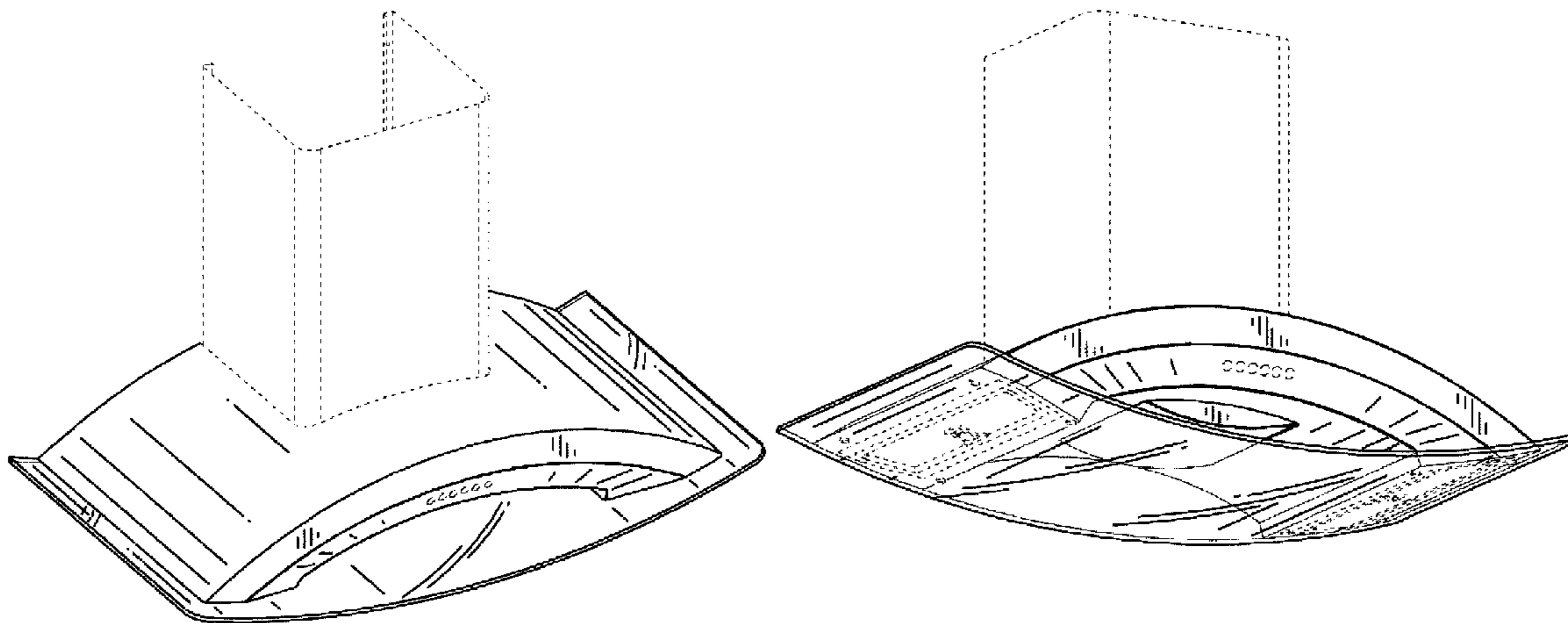
(57) **CLAIM**

We claim the ornamental design for an swing range hood, as shown and described.

DESCRIPTION

FIG. 1 is a top perspective view of a swing range hood; FIG. 2 is a bottom perspective view of a swing range hood of FIG. 1; FIG. 3 is a front view of a swing range hood of FIG. 1; FIG. 4 is a side view of a swing range hood of FIG. 1; FIG. 5 is a rear view of a swing range hood of FIG. 1; FIG. 6 is a top view of a swing range hood of FIG. 1; and FIG. 7 is a bottom view of a swing range hood of FIG. 1. The features shown in broken lines depict environmental subject matter only and form no part of the claimed design.

1 Claim, 5 Drawing Sheets



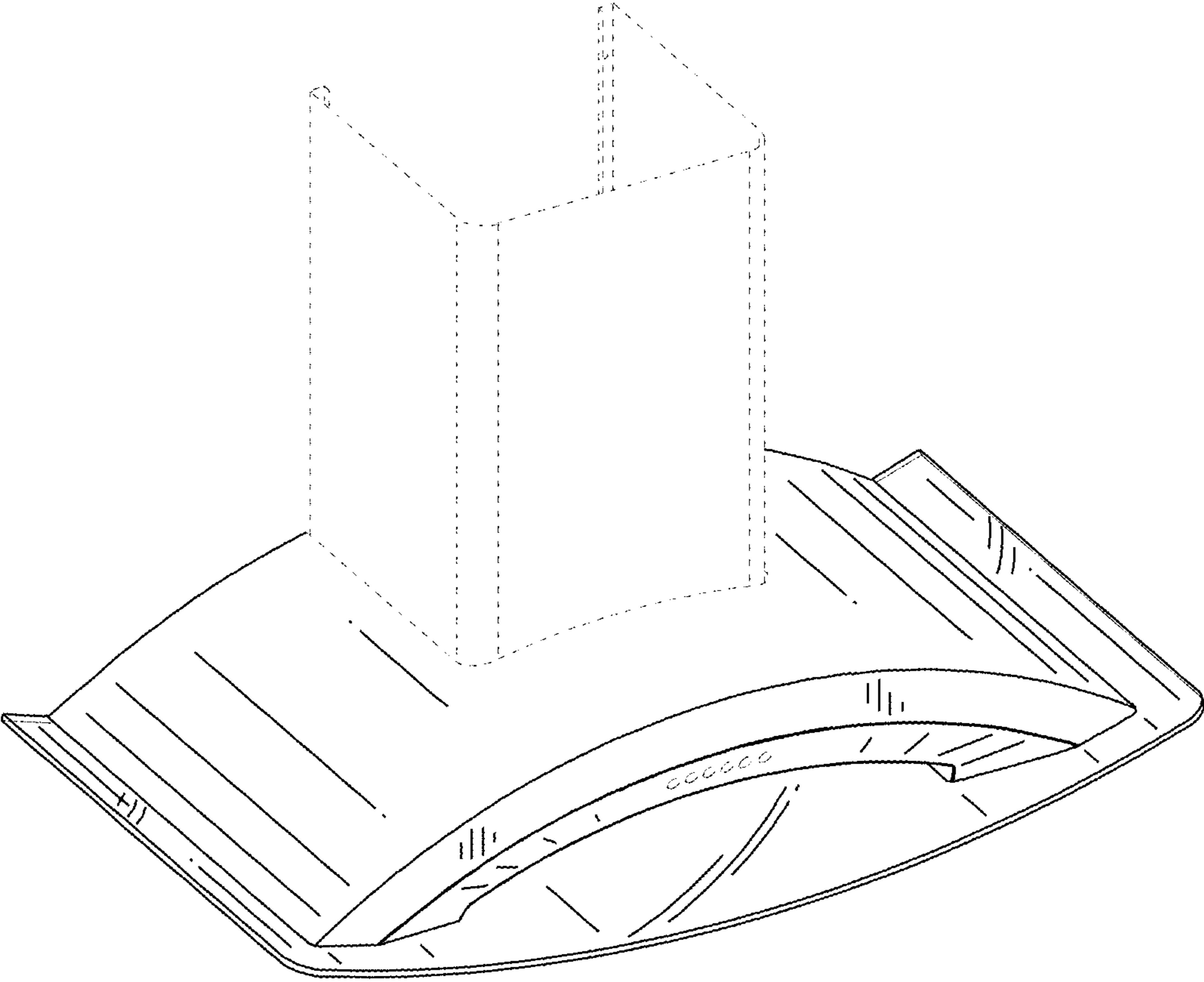


FIG. 1

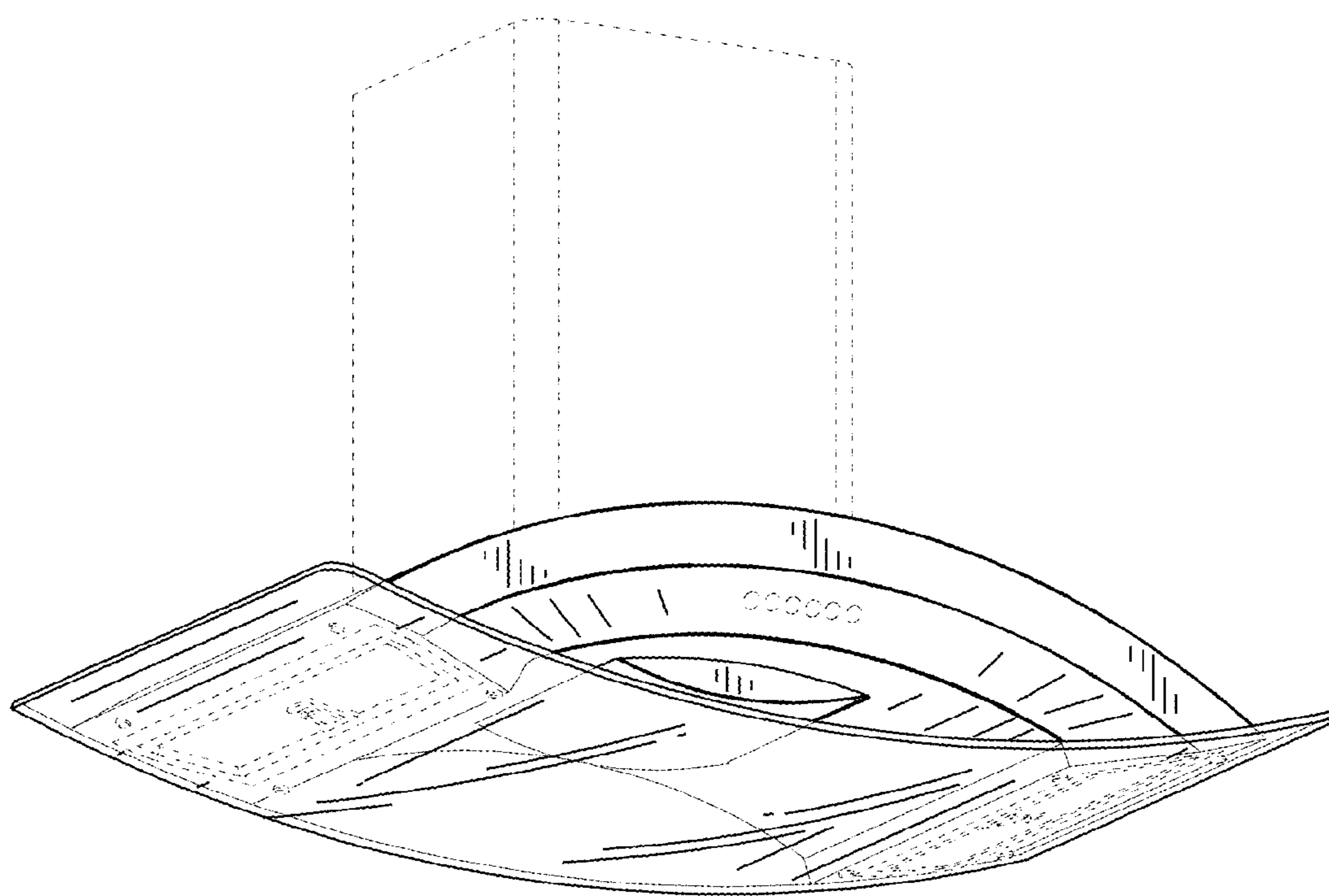


FIG. 2

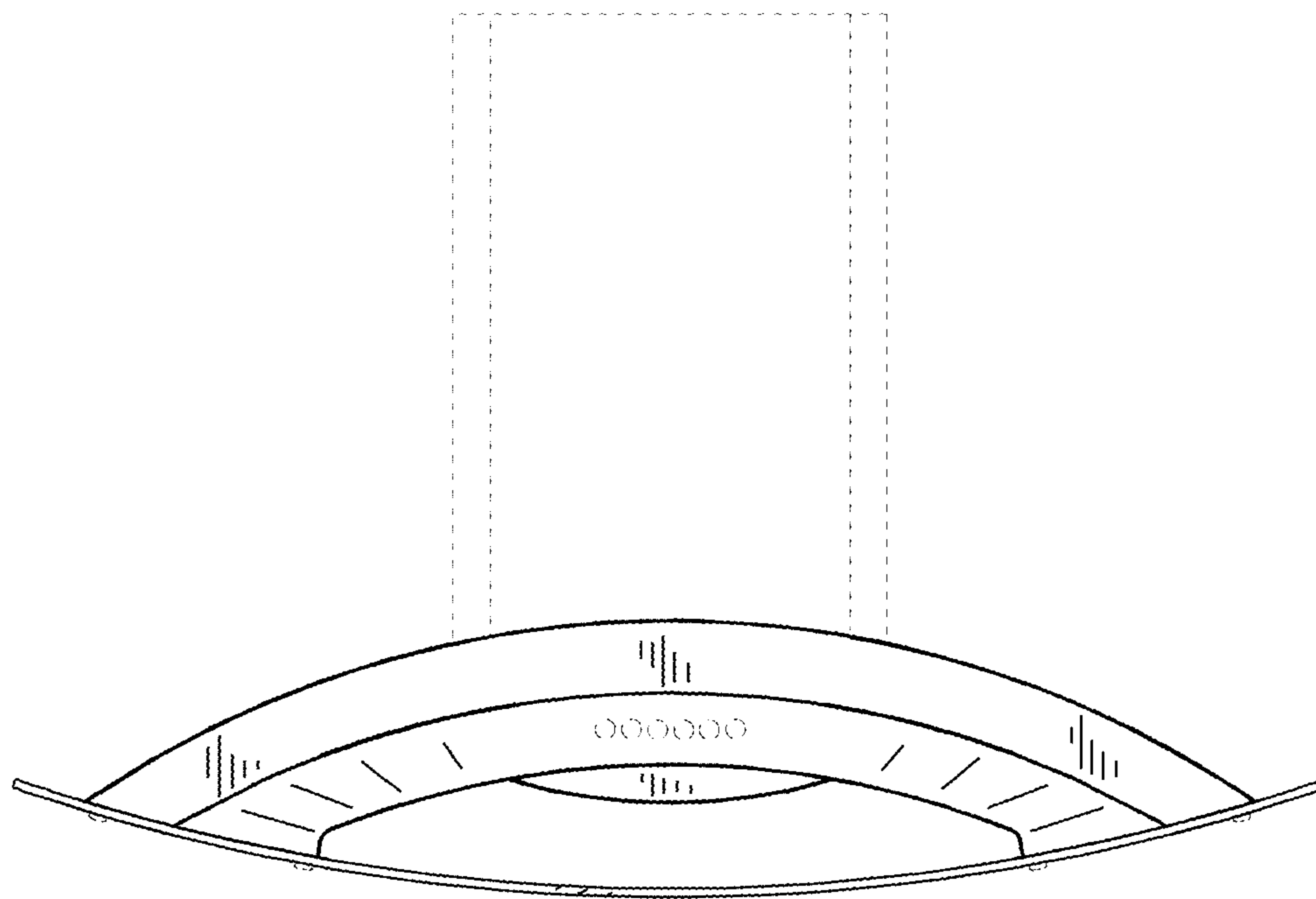


FIG. 3

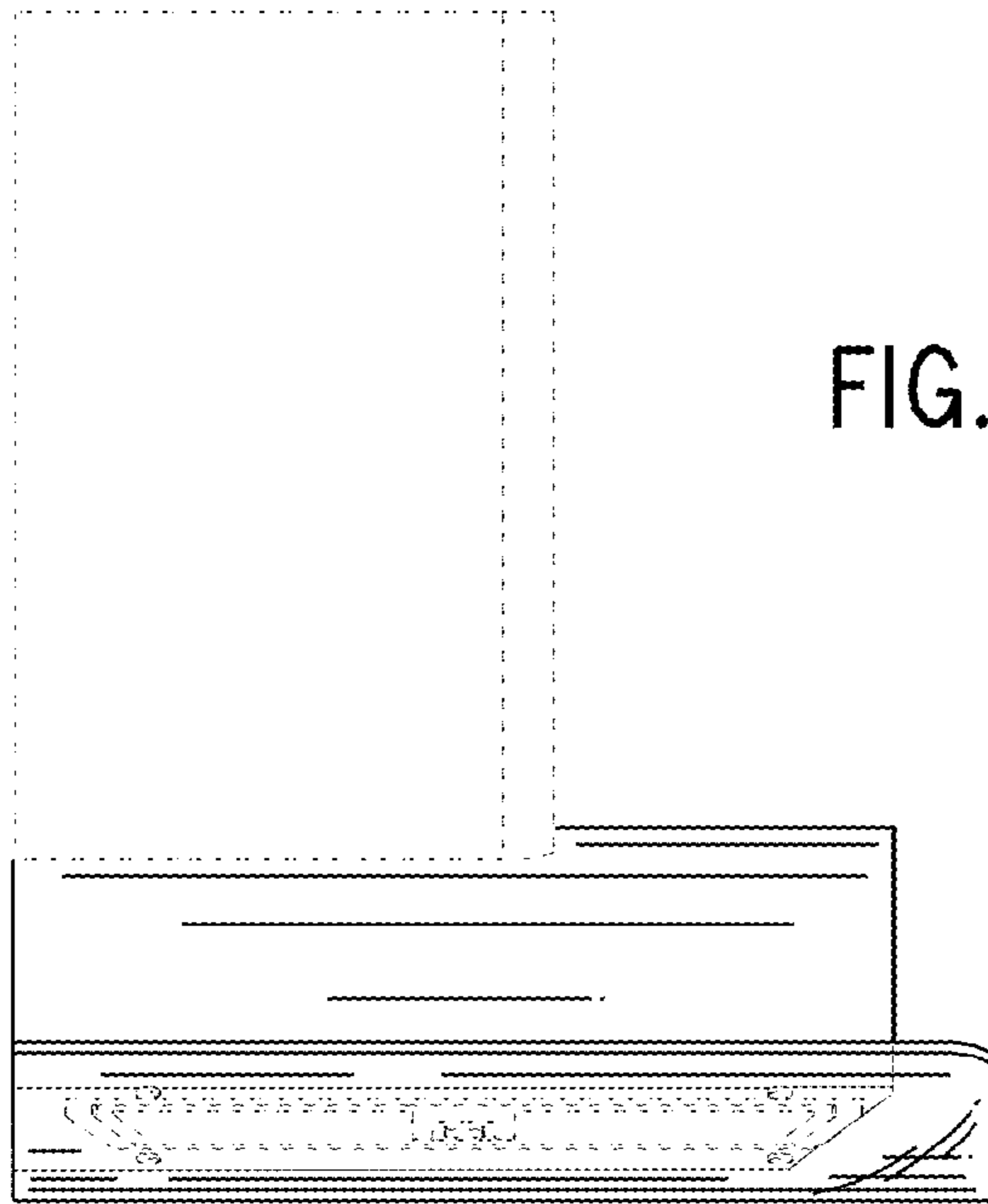


FIG. 4

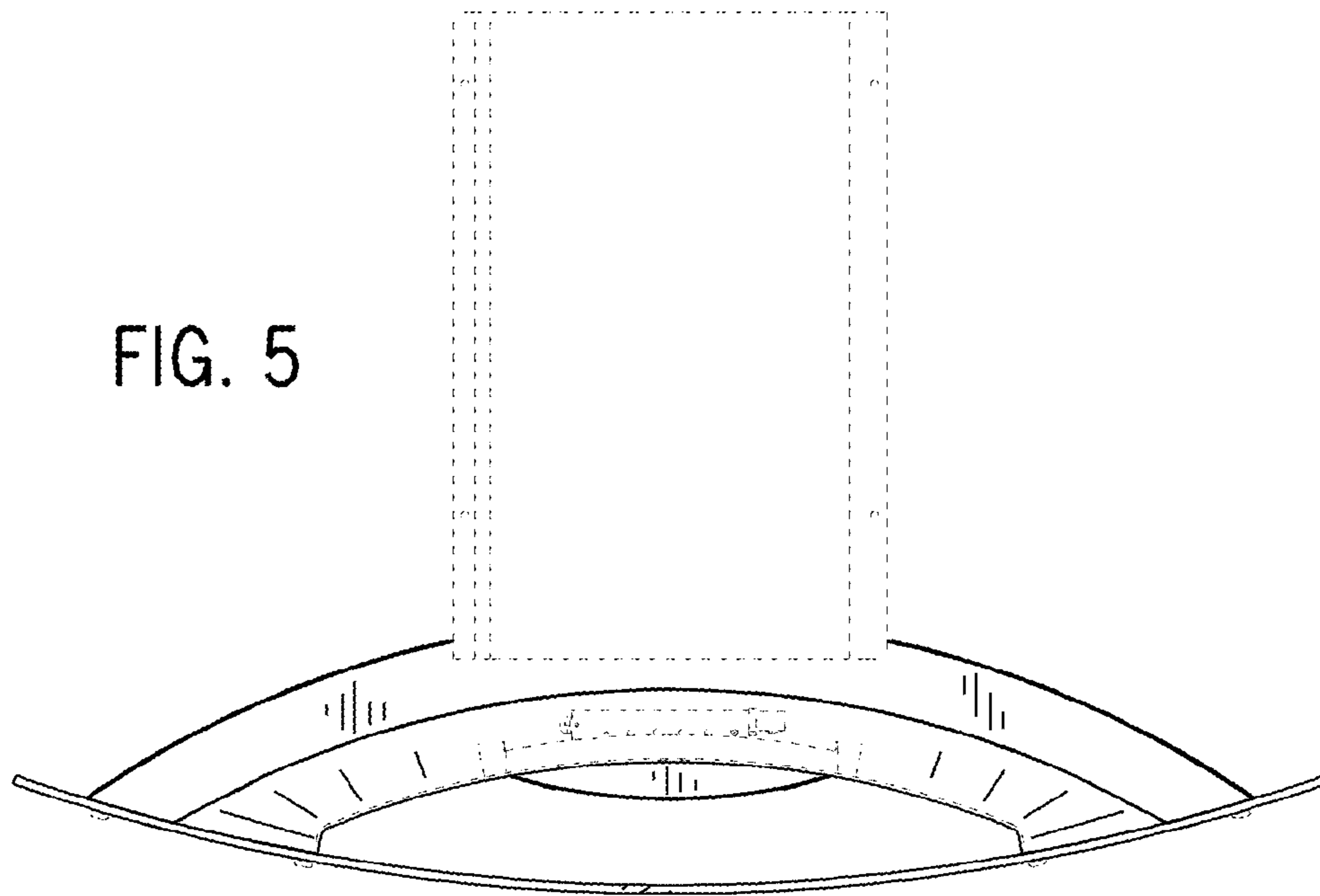


FIG. 5

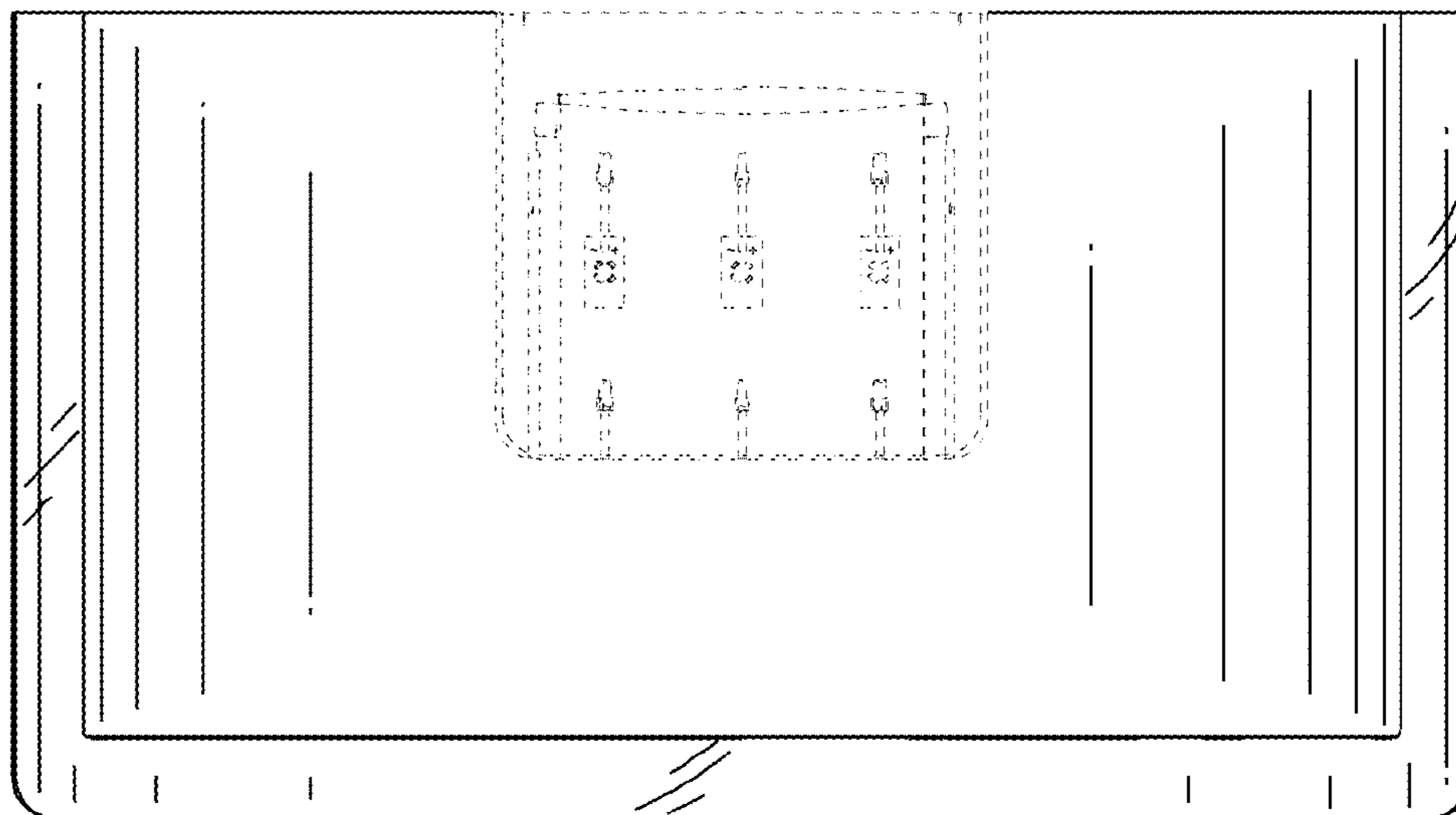


FIG. 6

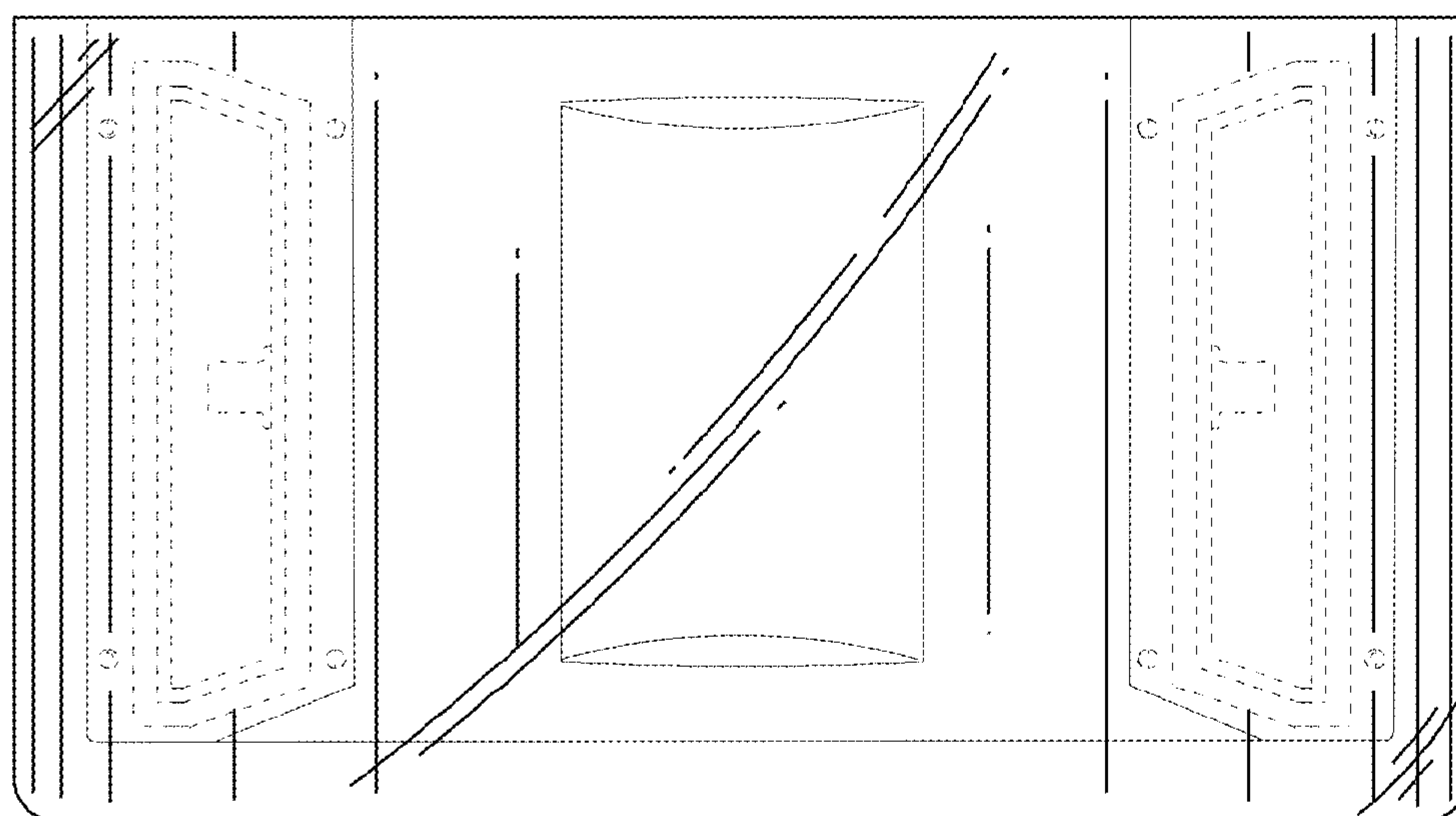


FIG. 7