



US00D725766S

(12) **United States Design Patent**
Bisla et al.

(10) **Patent No.:** **US D725,766 S**
(45) **Date of Patent:** **** Mar. 31, 2015**

(54) **NOVELTY FAN**

(56) **References Cited**

- (71) Applicants: **Jagdip S. Bisla**, Fresno, CA (US);
Robby Chima, Fresno, CA (US)
- (72) Inventors: **Jagdip S. Bisla**, Fresno, CA (US);
Robby Chima, Fresno, CA (US)
- (73) Assignee: **Jagdip S. Bisla**, Fresno, CA (US)
- (**) Term: **14 Years**
- (21) Appl. No.: **29/480,996**
- (22) Filed: **Jan. 31, 2014**

U.S. PATENT DOCUMENTS

D149,284 S *	4/1948	Lippincott	D23/336
D241,163 S *	8/1976	Zivica	D14/189
D320,476 S *	10/1991	Mele	D29/103
D376,641 S *	12/1996	Bucher	D23/377
D379,222 S *	5/1997	Kuo	D23/411
D456,885 S *	5/2002	Schmitt	D23/328
D488,883 S *	4/2004	Davis	D26/94
6,934,972 B2 *	8/2005	Desjardins et al.	2/425
D575,432 S *	8/2008	Nunes	D26/73
7,673,351 B2 *	3/2010	Copeland et al.	2/425
8,296,868 B2 *	10/2012	Belanger et al.	2/420
D690,804 S *	10/2013	Bisla et al.	D23/370
D699,830 S *	2/2014	Bisla et al.	D23/370

* cited by examiner

Related U.S. Application Data

- (62) Division of application No. 29/465,080, filed on Aug. 23, 2013, now Pat. No. Des. 699,830, and a division of application No. 29/416,823, filed on Mar. 27, 212, now Pat. No. Des. 690,804.

Primary Examiner — Martie K Holtje

(74) *Attorney, Agent, or Firm* — Blue Capital Law Firm, P.C.

- (51) **LOC (10) Cl.** **23-04**
- (52) **U.S. Cl.**
USPC **D23/370**

(57) **CLAIM**

The ornamental design for a novelty fan, as shown and described.

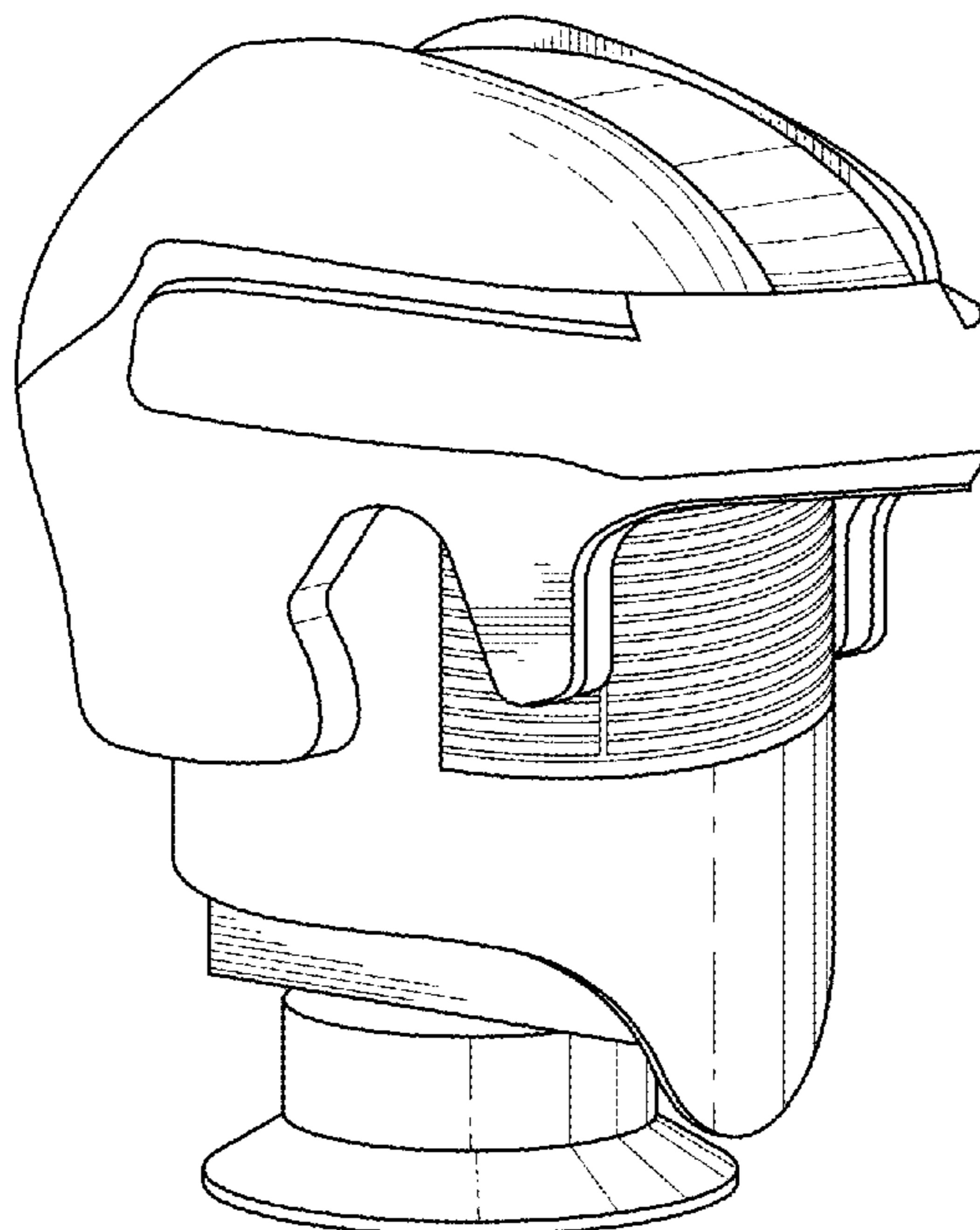
- (58) **Field of Classification Search**
USPC D23/314, 324, 328, 332, 335, 336, 342,
D23/355, 370, 381, 382, 386, 411, 412, 413,
D23/414, 377, 378, 379; D26/32, 57, 59,
D26/73, 94, 125, 145, 146, 147, 156;
D29/102, 103; D10/118; D7/301;
2/418, 420, 425; 415/90, 121.2, 181,
415/182.1, 208.2, 209.2, 211.2; 416/110,
416/206, 240, 244 R, 246, 247 R

DESCRIPTION

FIG. 1 is a perspective view of a novelty fan showing our new design;
FIG. 2 is a side elevational view thereof;
FIG. 3 is a front elevational view thereof; and,
FIG. 4 is a rear elevational view thereof.

See application file for complete search history.

1 Claim, 2 Drawing Sheets



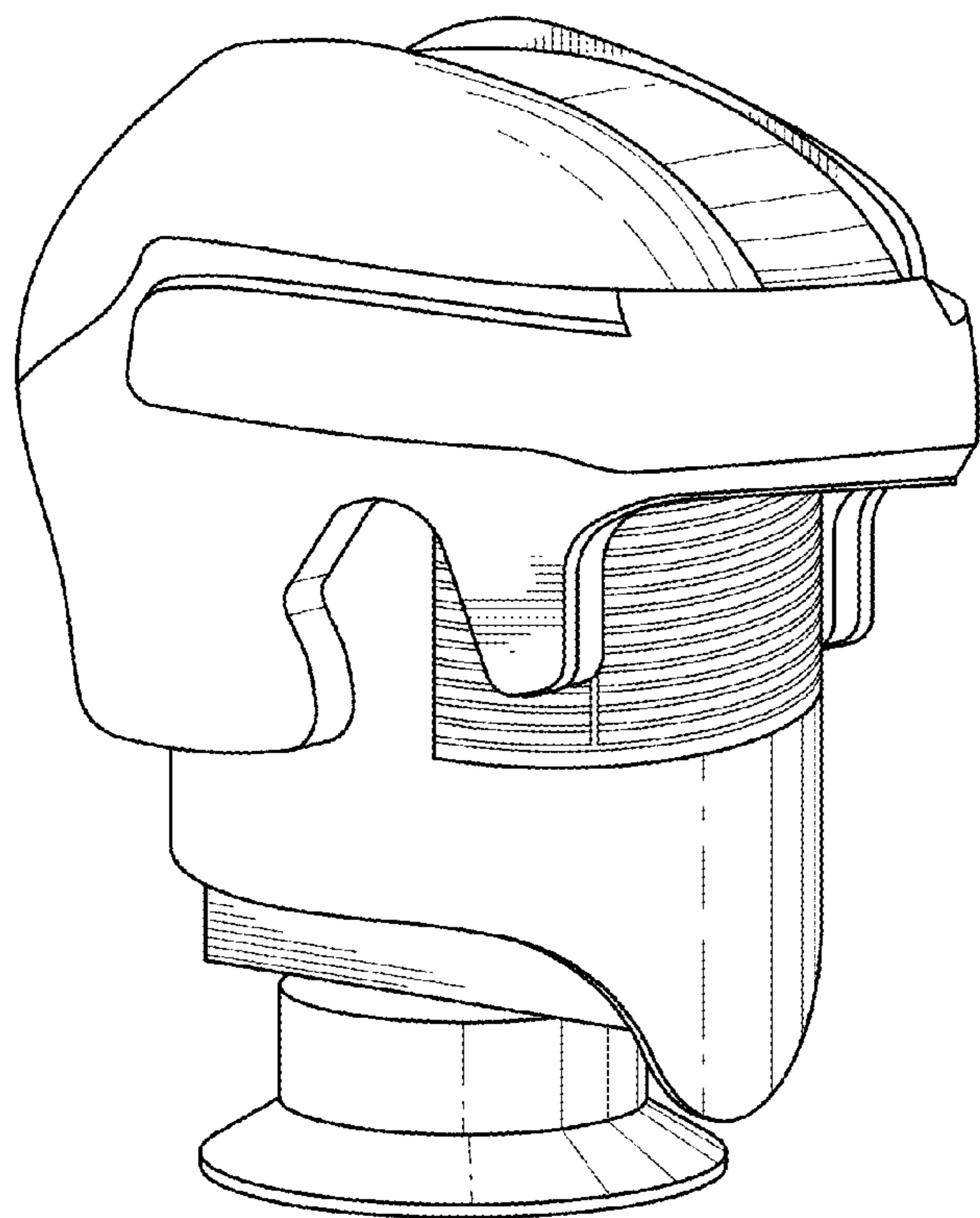


FIG. 1

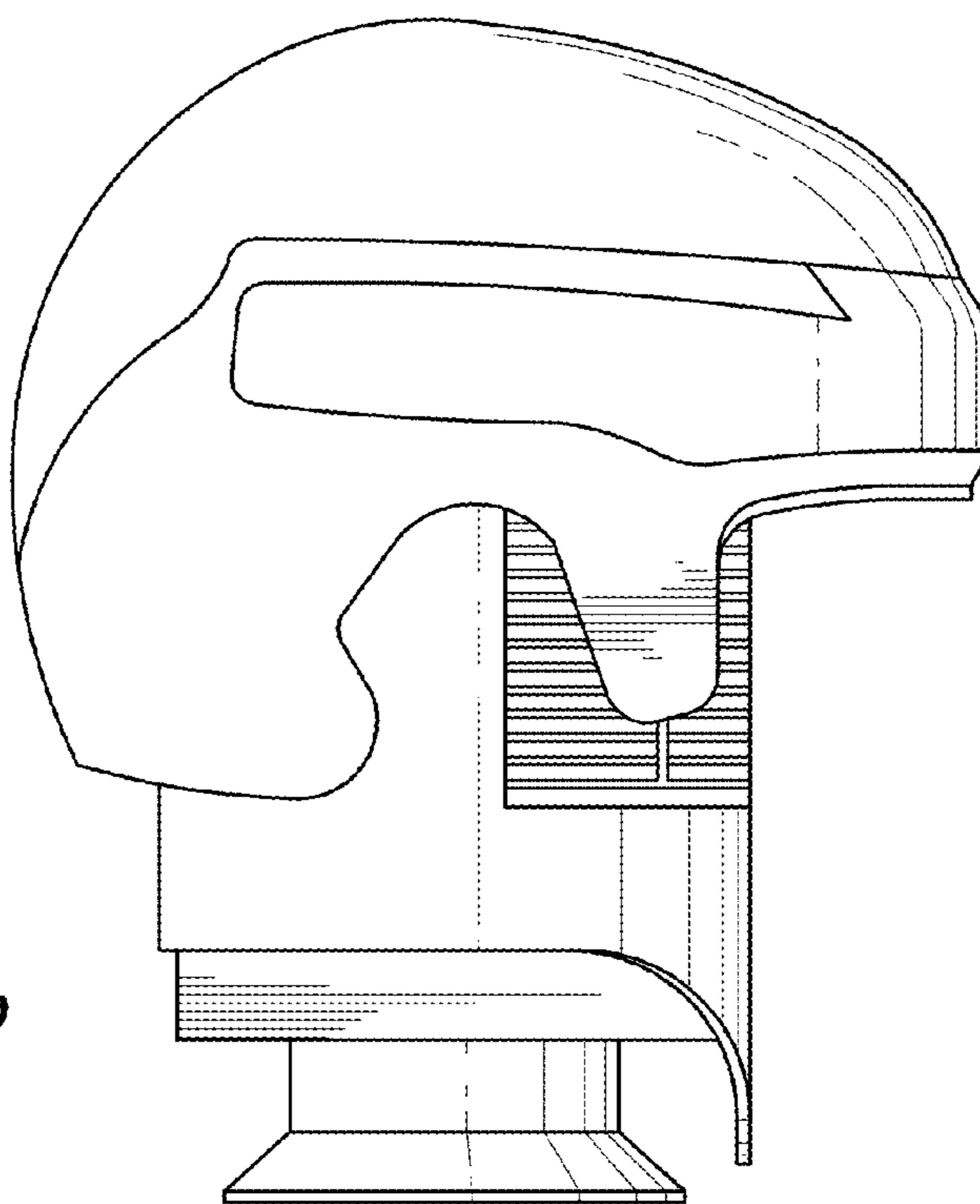


FIG. 2

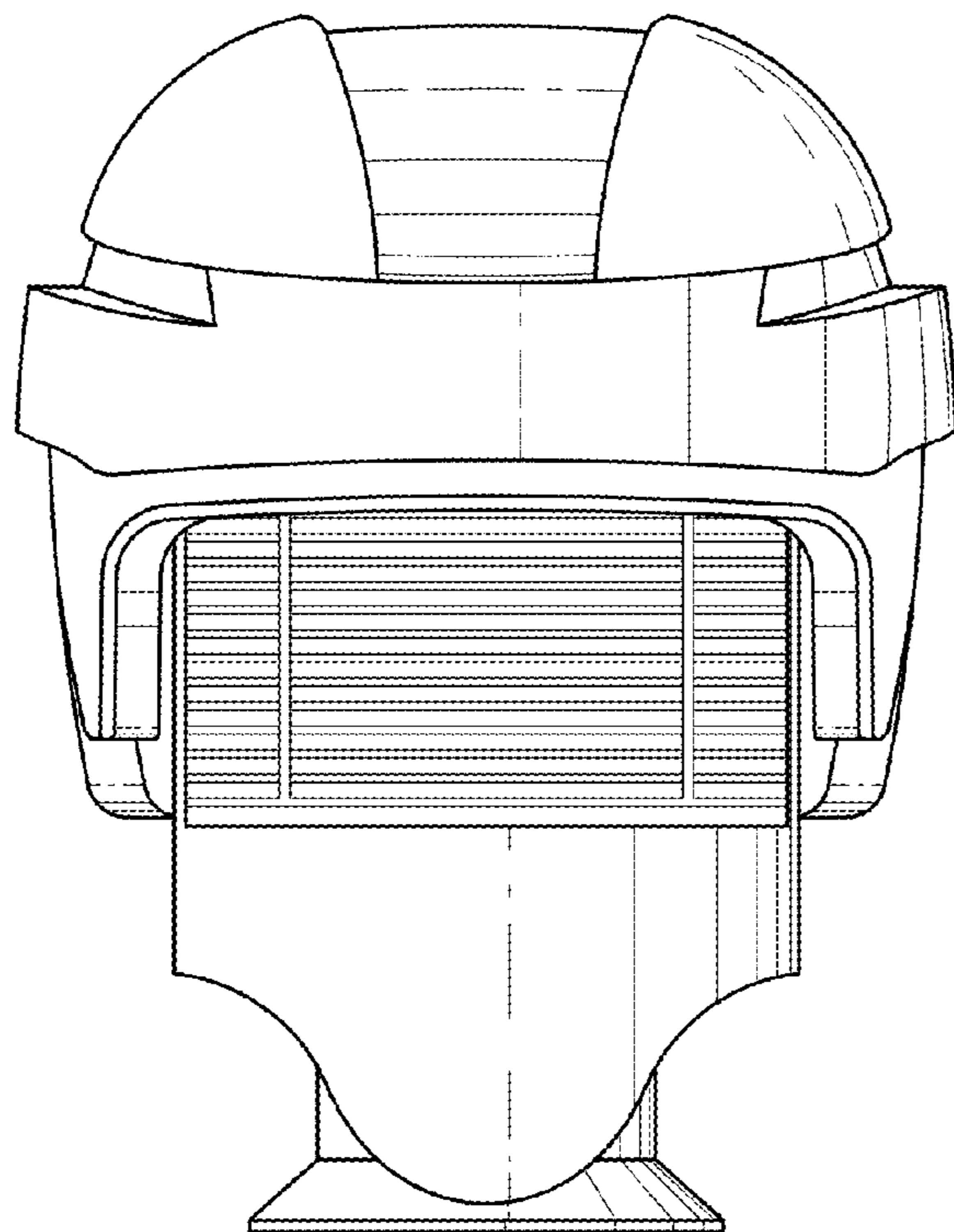


FIG. 3

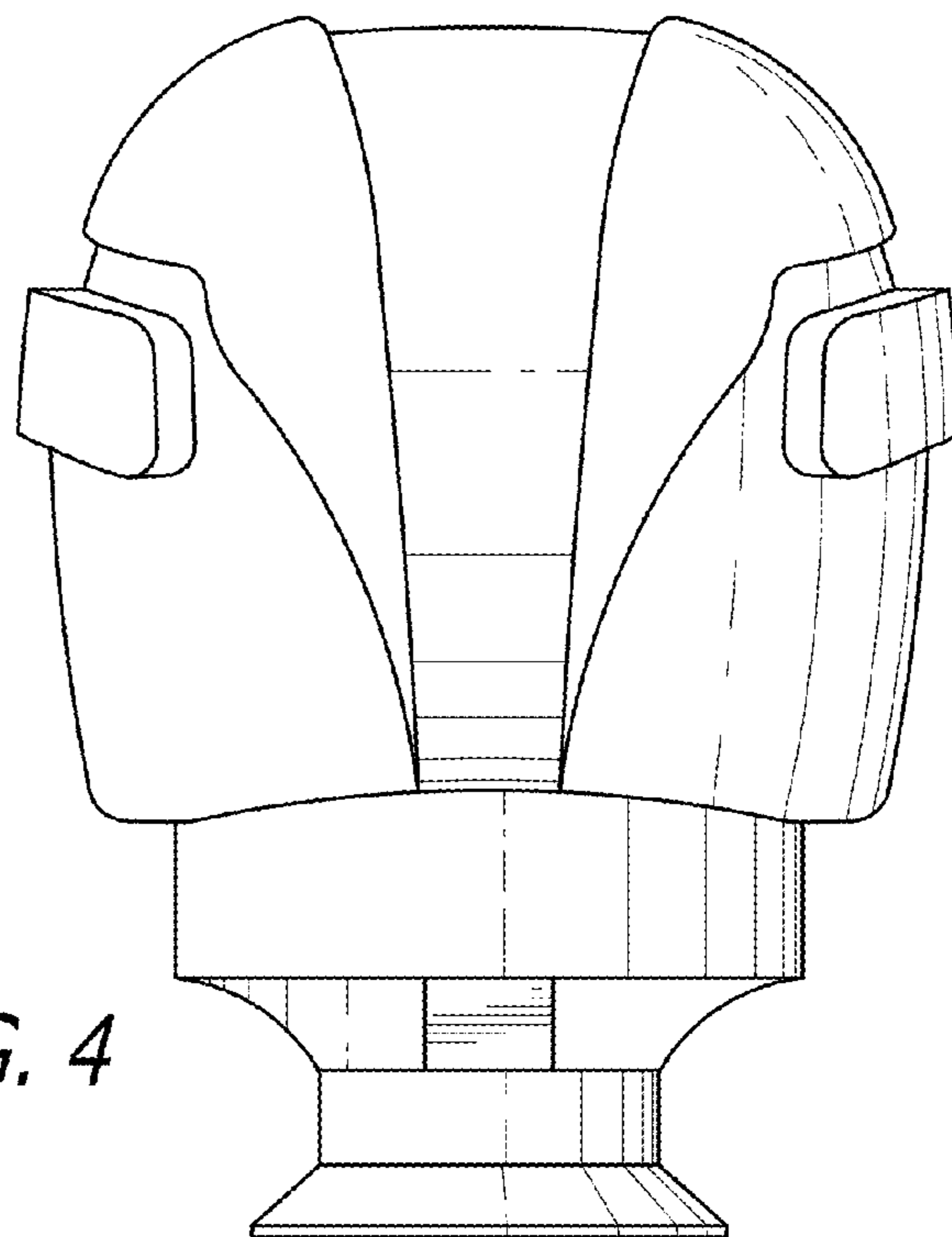


FIG. 4