



US00D725765S

(12) **United States Design Patent**  
**Bisla et al.**

(10) **Patent No.:** **US D725,765 S**  
(45) **Date of Patent:** **\*\* Mar. 31, 2015**

(54) **NOVELTY FAN**

(71) Applicants: **Jagdip S. Bisla**, Fresno, CA (US);  
**Robby Chima**, Fresno, CA (US)

(72) Inventors: **Jagdip S. Bisla**, Fresno, CA (US);  
**Robby Chima**, Fresno, CA (US)

(73) Assignee: **Jagdip S. Bisla**, Fresno, CA (US)

(\*\*) Term: **14 Years**

(21) Appl. No.: **29/480,992**

(22) Filed: **Jan. 31, 2014**

**Related U.S. Application Data**

(62) Division of application No. 29/465,080, filed on Aug. 23, 2013, now Pat. No. Des. 699,830, and a division of application No. 29/416,823, filed on Mar. 27, 2012, now Pat. No. Des. 690,804.

(51) **LOC (10) Cl.** ..... **23-04**

(52) **U.S. Cl.**  
USPC ..... **D23/370**; D23/381

(58) **Field of Classification Search**

USPC ..... D23/314, 324, 328, 332, 335, 336, 342, D23/355, 370, 381, 382, 386, 411, 412, 413, D23/414, 377, 378, 379; D26/32, 57, 59, D26/73, 94, 125, 145, 146, 147, 156; D29/102, 103; D10/6; D7/301; 2/411, 2/418, 420, 425; 410/10; 415/90, 121.2, 415/181, 182.1, 208.2, 209.2, 211.2; 416/110, 206, 240, 244 R, 246, 247 R

See application file for complete search history.

(56) **References Cited**

U.S. PATENT DOCUMENTS

D149,284 S *	4/1948	Lippincott .....	D23/336
D241,163 S *	8/1976	Zivica .....	D14/189
D292,823 S *	11/1987	St. Clair .....	D23/382
D306,203 S *	2/1990	Wei .....	D23/381
D320,476 S *	10/1991	Mele .....	D29/103
D326,148 S *	5/1992	Lawlor .....	D23/382
D335,366 S *	5/1993	Podd et al. ....	D29/102
D376,641 S *	12/1996	Bucher .....	D23/377
D379,222 S *	5/1997	Kuo .....	D23/411
D382,953 S *	8/1997	Kuo .....	D23/377
D416,083 S *	11/1999	Altman .....	D23/381
6,301,718 B1 *	10/2001	Rigal .....	2/411
D456,885 S *	5/2002	Schmitt .....	D23/328
D518,738 S *	4/2006	Dreggors .....	D10/6
7,722,301 B2 *	5/2010	Rosenblum .....	410/10
D690,804 S *	10/2013	Bisla et al. ....	D23/370
D699,830 S *	2/2014	Bisla et al. ....	D23/370

\* cited by examiner

*Primary Examiner* — Martie K Holtje

(74) *Attorney, Agent, or Firm* — Blue Capital Law Firm, P.C.

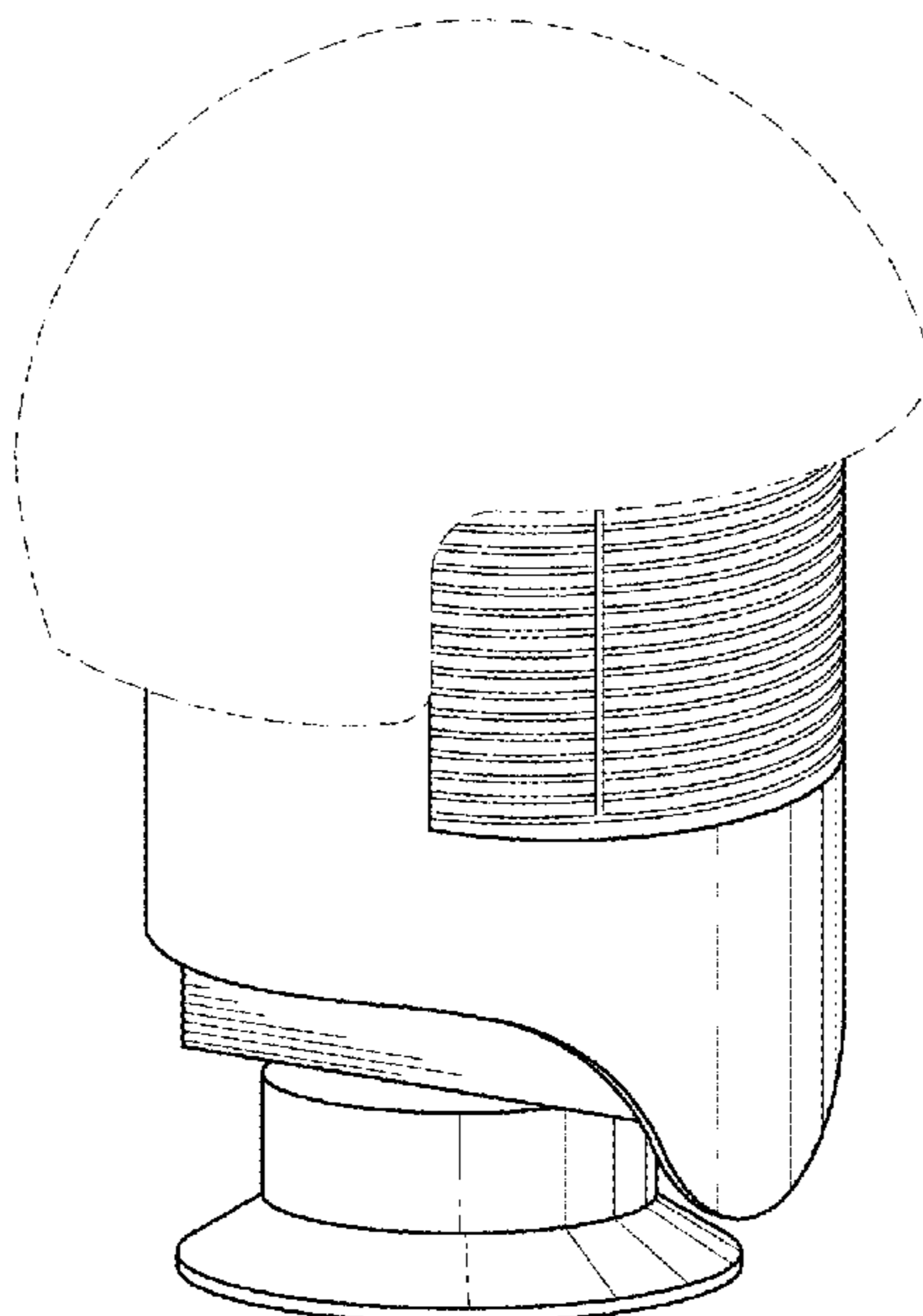
(57) **CLAIM**

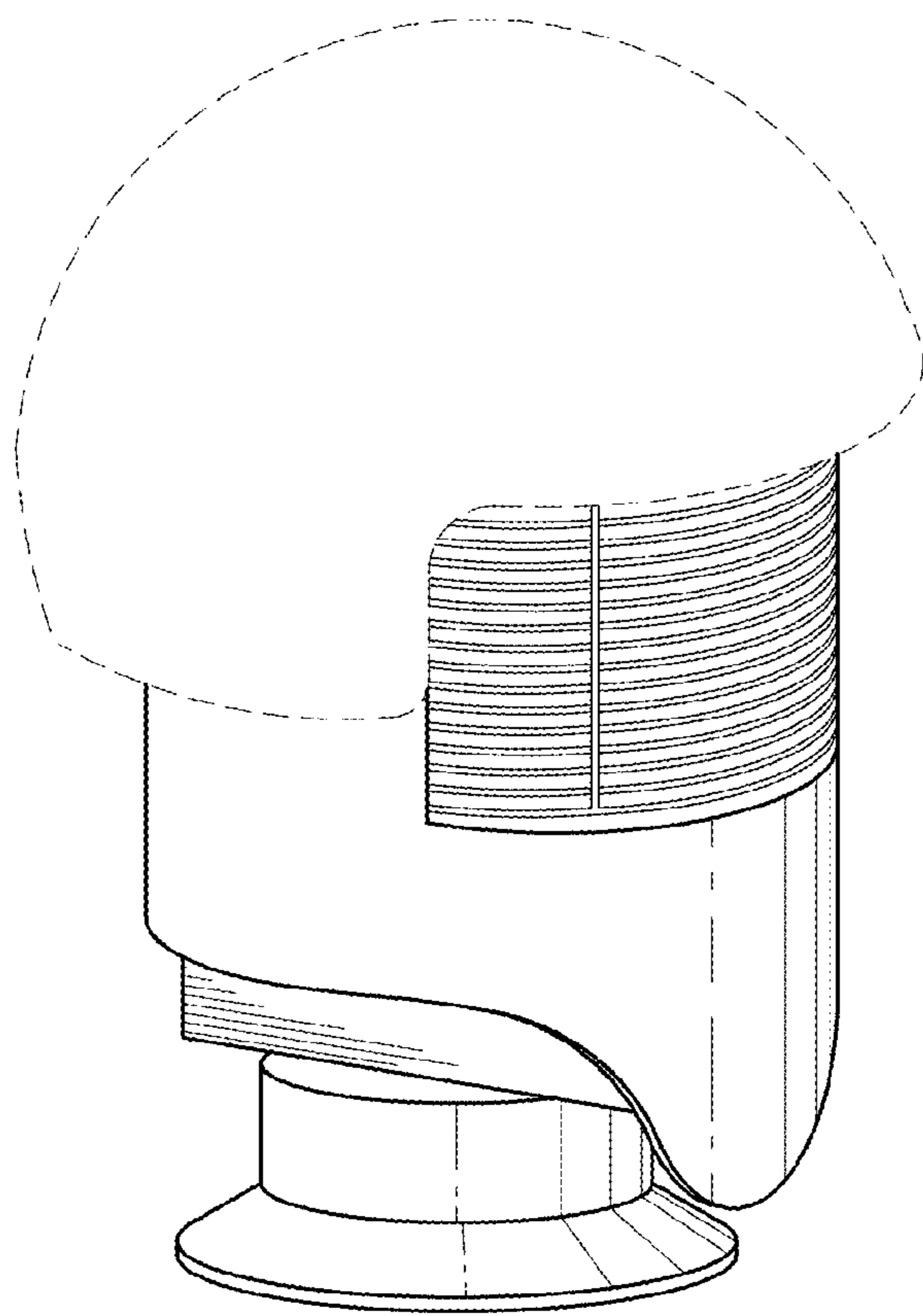
The ornamental design for a novelty fan, as shown and described.

**DESCRIPTION**

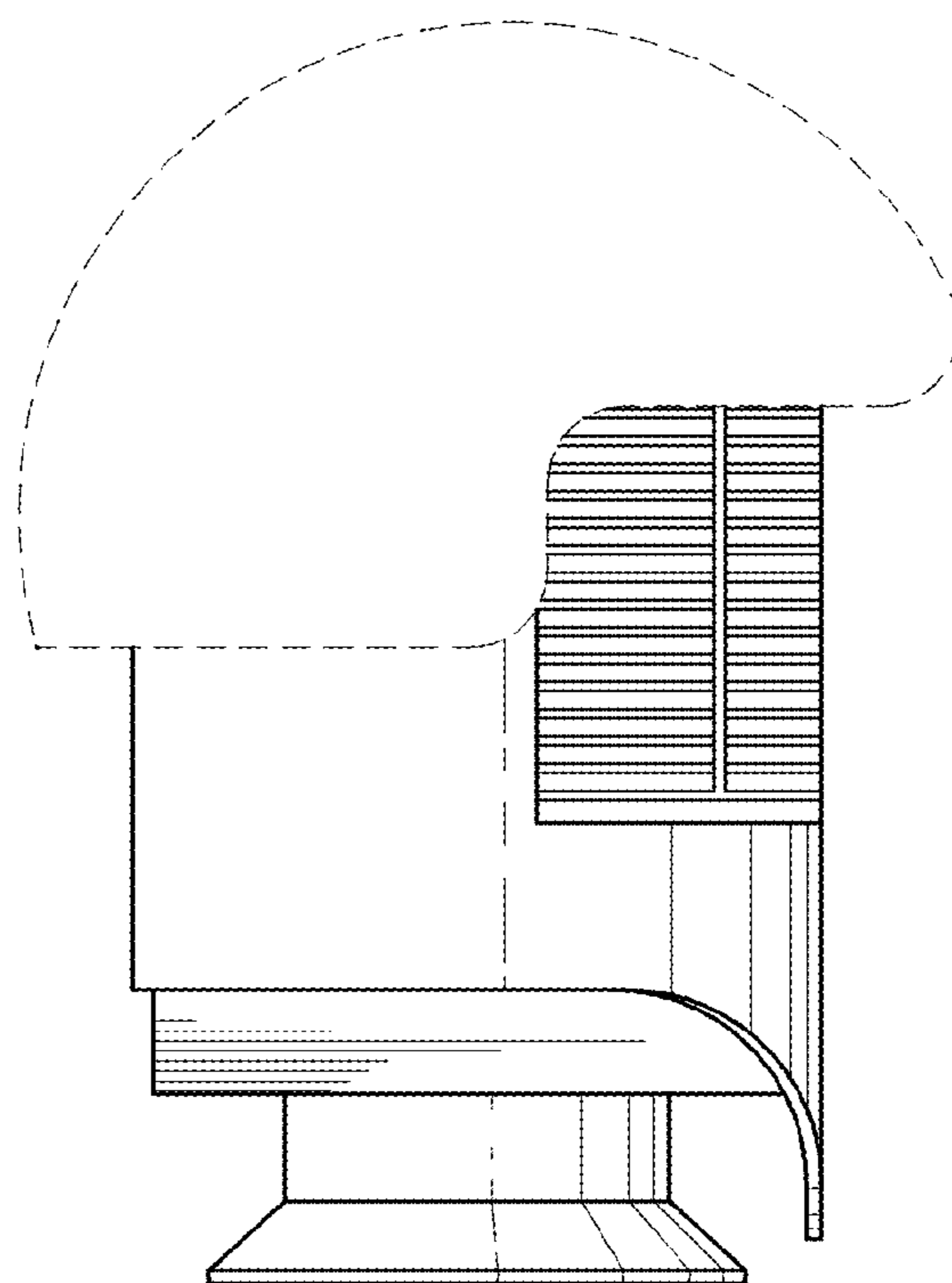
FIG. 1 is a perspective view of a novelty fan showing our new design;  
FIG. 2 is a side elevational view thereof;  
FIG. 3 is a front elevational view thereof; and,  
FIG. 4 is a rear elevational view thereof.  
The structural features depicted by broken lines has been shown for the purpose of illustrating portions of the novelty fan that form no part of the claimed design.

**1 Claim, 2 Drawing Sheets**

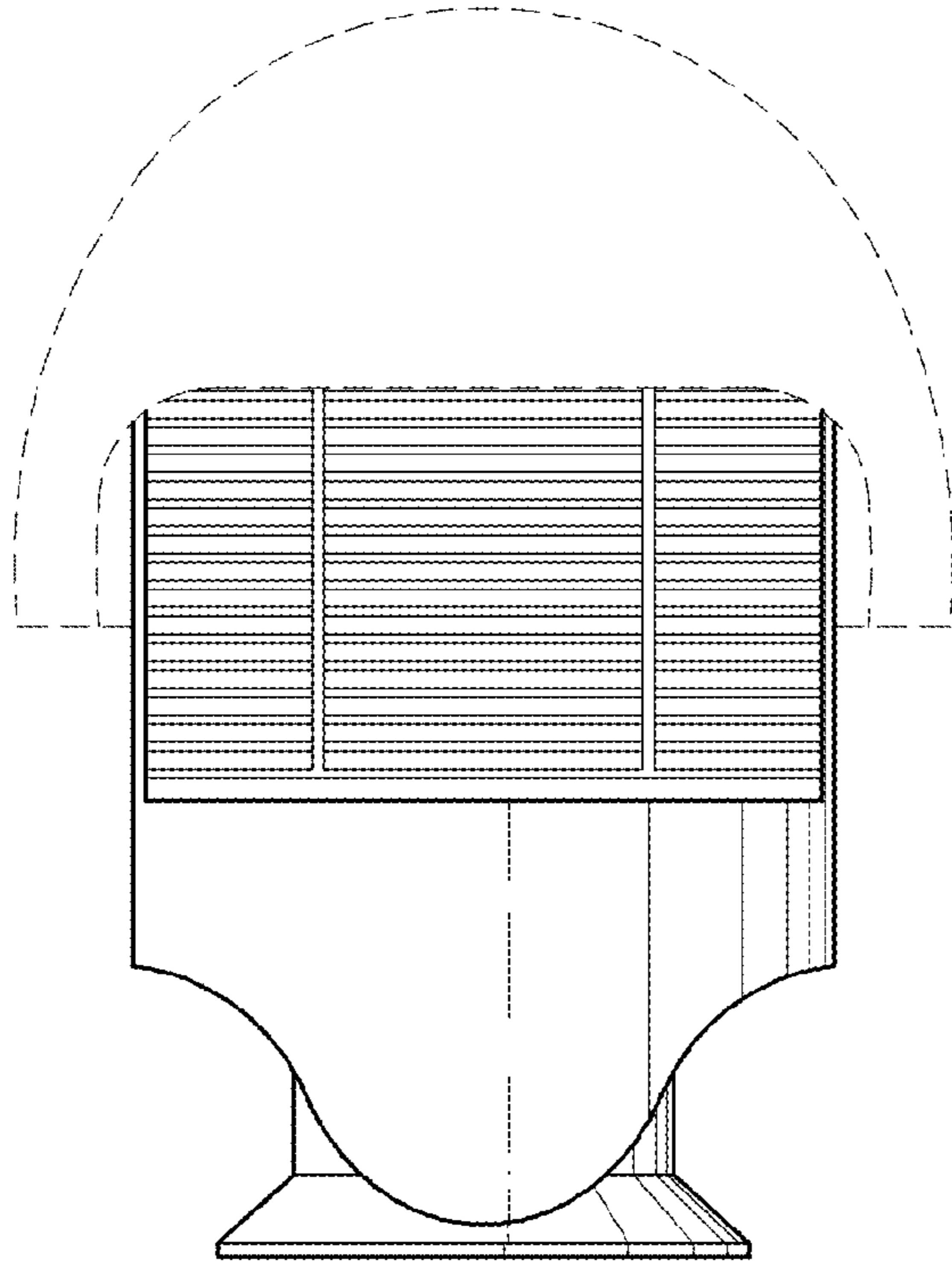




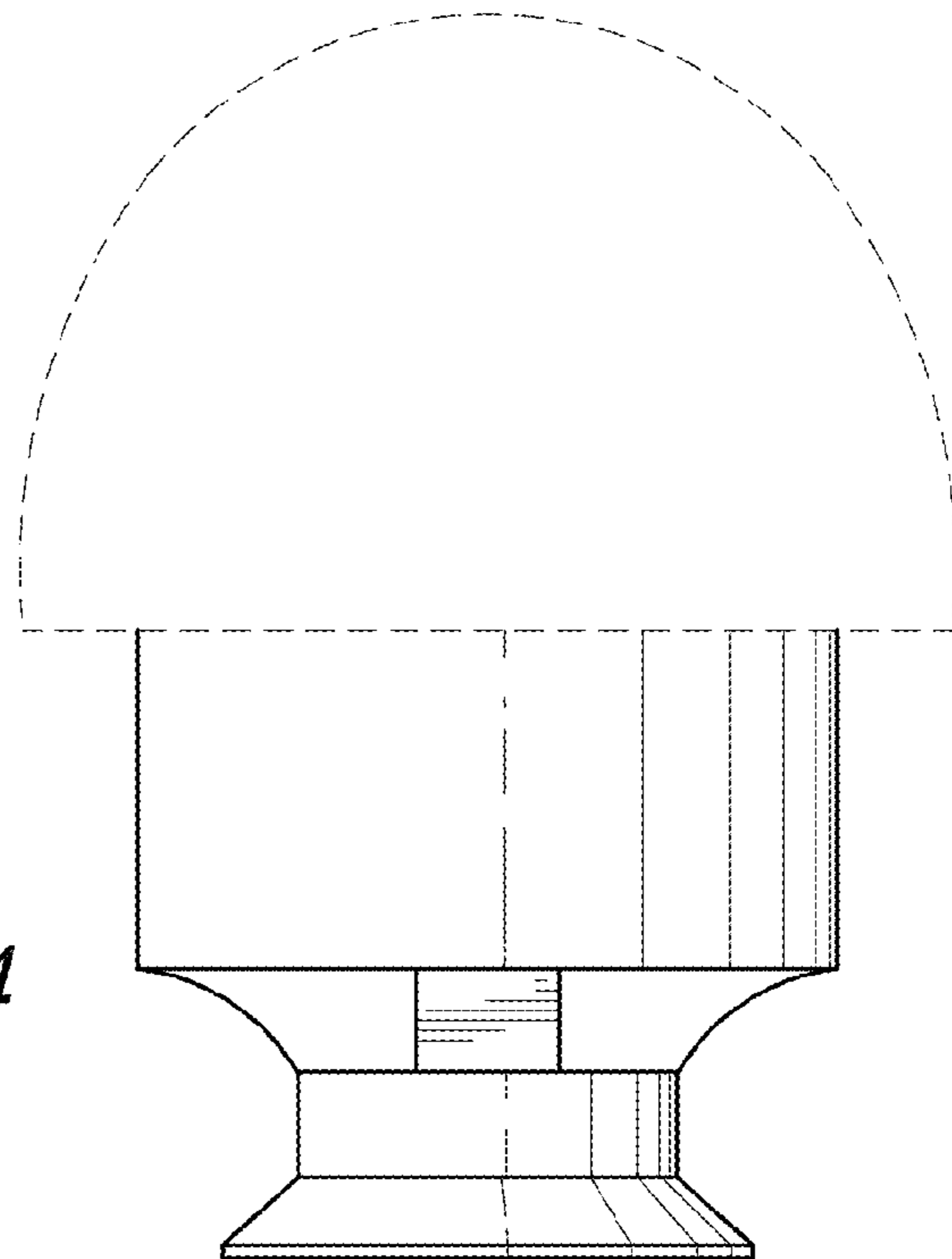
*FIG. 1*



*FIG. 2*



*FIG. 3*



*FIG. 4*