

US00D725764S

(12) **United States Design Patent**  
**Bisla et al.**

(10) **Patent No.:** **US D725,764 S**  
(45) **Date of Patent:** **\*\* Mar. 31, 2015**

(54) **NOVELTY SPORTS FAN**

(56) **References Cited**

(71) Applicants: **Jagdip S. Bisla**, Fresno, CA (US);  
**Robby Chima**, Fresno, CA (US)

U.S. PATENT DOCUMENTS

(72) Inventors: **Jagdip S. Bisla**, Fresno, CA (US);  
**Robby Chima**, Fresno, CA (US)

D149,284 S *	4/1948	Lippincott .....	D23/336
D181,416 S *	11/1957	Hewitt .....	D23/370
3,624,939 A *	12/1971	Gossard .....	40/721
D292,823 S *	11/1987	St. Clair .....	D23/382
D306,203 S *	2/1990	Wei .....	D23/381
D326,148 S *	5/1992	Lawlor .....	D23/382
D341,878 S *	11/1993	Cich, Jr. ....	D23/335
D374,897 S *	10/1996	Whisman .....	D21/710
D416,083 S *	11/1999	Altman .....	D23/381
D421,762 S *	3/2000	Shirley et al. ....	D16/227
D463,856 S *	10/2002	Leslie .....	D23/382
D483,457 S *	12/2003	Wang .....	D23/336
D488,883 S *	4/2004	Davis .....	D26/94
7,118,323 B2 *	10/2006	Iyer et al. ....	415/53.1
D561,852 S *	2/2008	Frey .....	D21/710
D575,432 S *	8/2008	Nunes .....	D26/73
D579,993 S *	11/2008	Fairchild et al. ....	D21/710
7,764,378 B2 *	7/2010	Oldham .....	392/360
D633,993 S *	3/2011	Lewis .....	D23/314
D693,915 S *	11/2013	Bisla et al. ....	D23/370

(73) Assignee: **Jagdip S. Bisla**, Fresno, CA (US)

(\*\*) Term: **14 Years**

(21) Appl. No.: **29/479,982**

(22) Filed: **Jan. 22, 2014**

**Related U.S. Application Data**

(62) Division of application No. 29/465,085, filed on Aug. 23, 2013, now abandoned, and a division of application No. 29/416,828, filed on Mar. 27, 2012, now Pat. No. Des. 693,915.

(51) **LOC (10) Cl.** ..... **23-04**

(52) **U.S. Cl.**  
USPC ..... **D23/370**

(58) **Field of Classification Search**  
USPC ..... D23/314, 324, 328, 332, 335, 336, 342,  
D23/355, 370, 381, 382, 386, 411, 412, 413,  
D23/414, 377, 378, 379; D21/710, 712,  
D21/713; D16/227; D26/32, 57, 59, 73, 94,  
D26/125, 145, 146, 147, 156; 40/721;  
415/90, 121.2, 181, 182.1, 208.2,  
415/209.2, 211.2, 53.1; 416/110, 206, 240,  
416/244 R, 246, 247 R; 392/360

See application file for complete search history.

\* cited by examiner

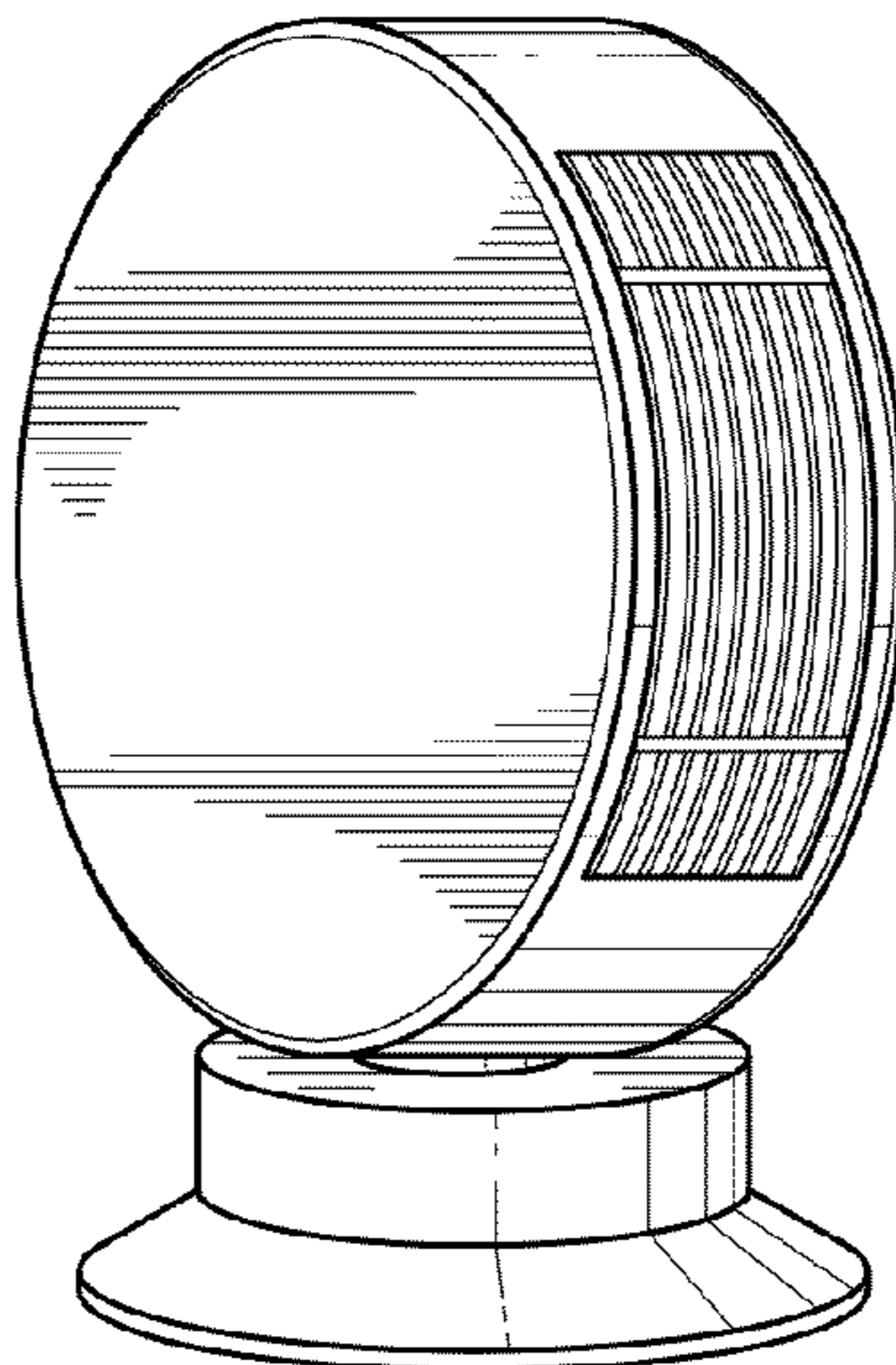
*Primary Examiner* — Martie K Holtje  
(74) *Attorney, Agent, or Firm* — Blue Capital Law Firm, P.C.

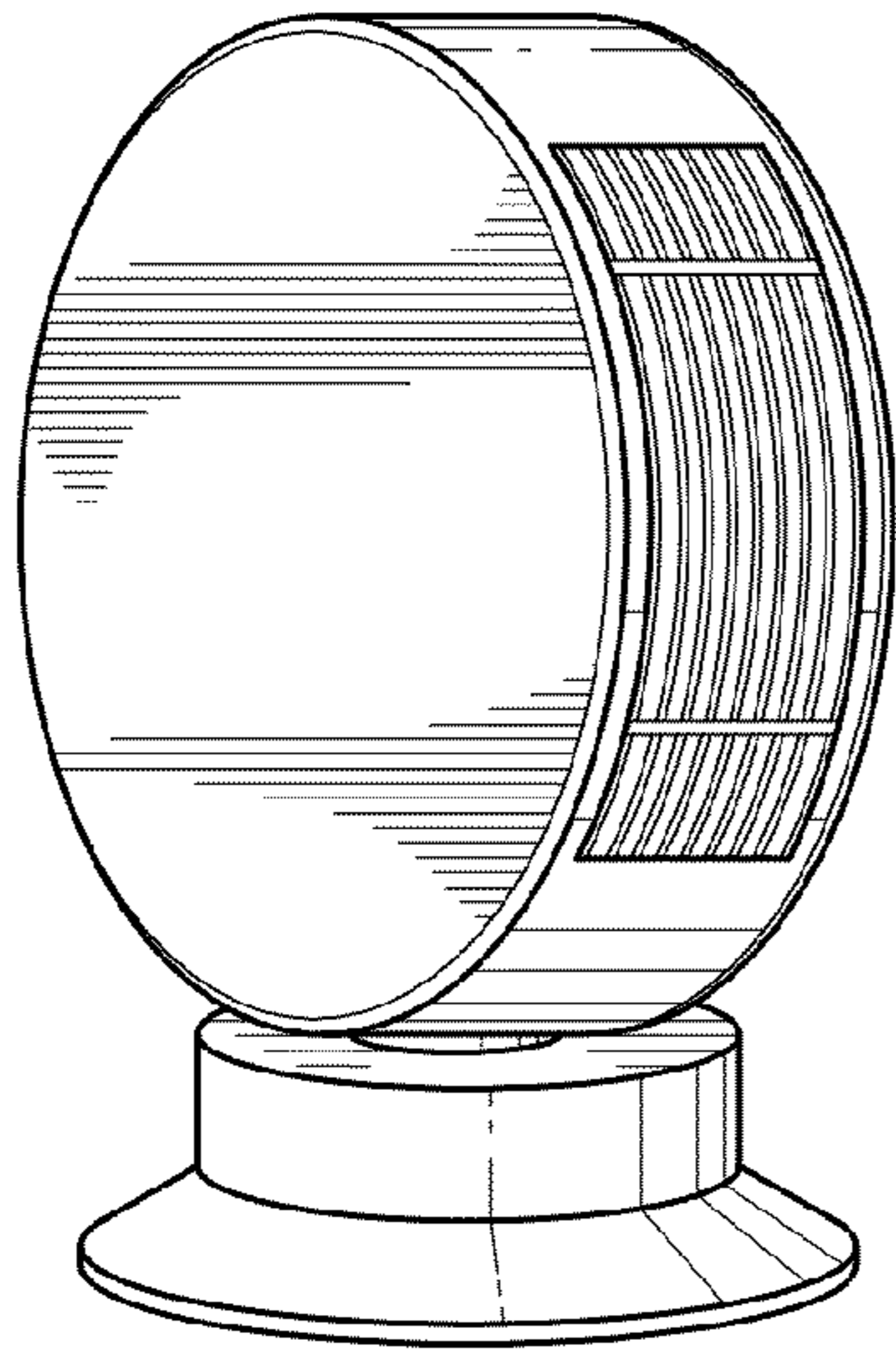
(57) **CLAIM**  
The ornamental design for a novelty sports fan, as shown and described.

**DESCRIPTION**

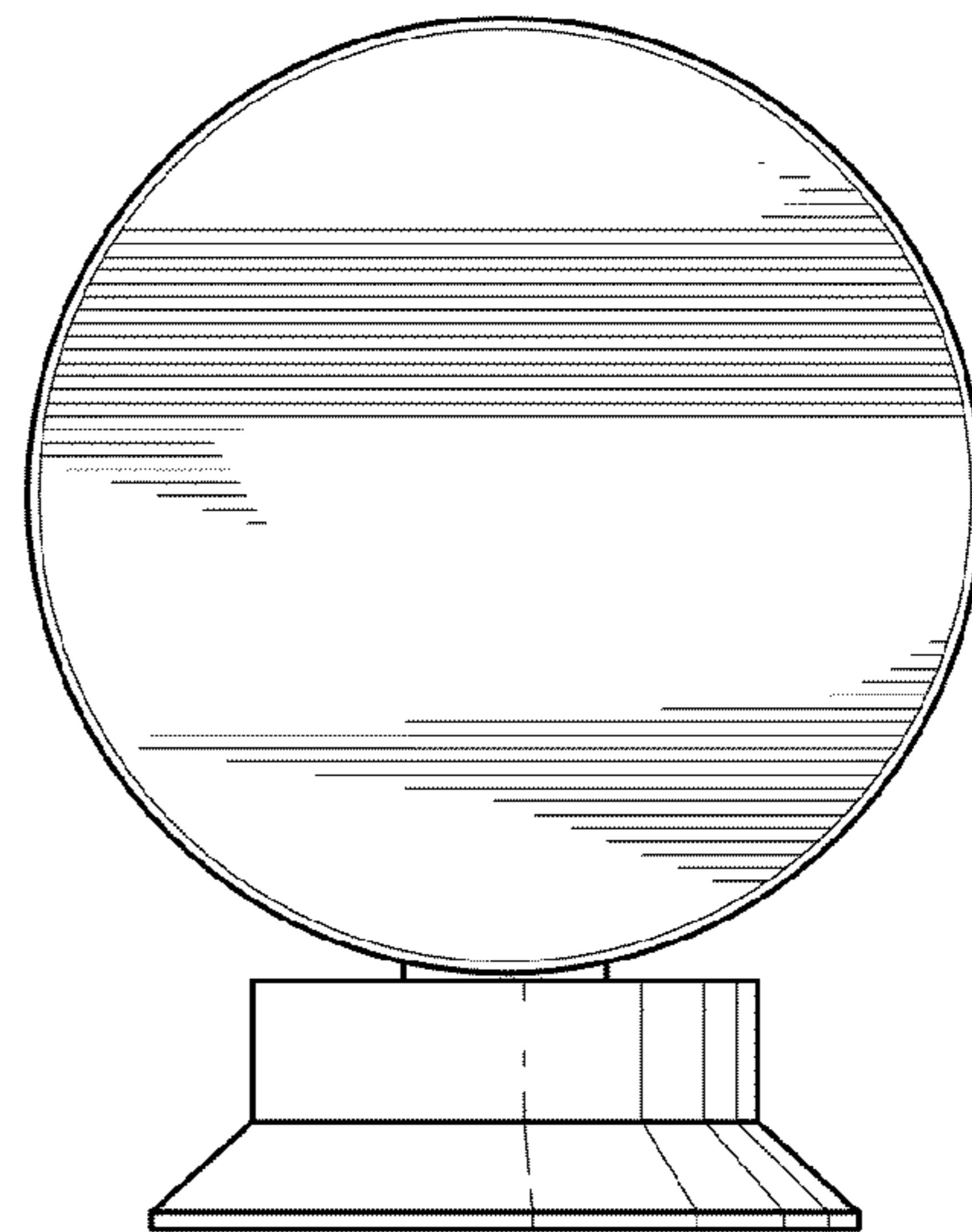
FIG. 1 is a left, front perspective view of a novelty sports fan showing our new design;  
FIG. 2 is a side elevational view thereof;  
FIG. 3 is a front elevational view thereof; and,  
FIG. 4 is a rear elevational view thereof.  
The element depicted by broken lines in FIG. 4 has been shown for the purpose of illustrating a portion of the novelty sports fan that forms no part of the claimed design.

**1 Claim, 1 Drawing Sheet**

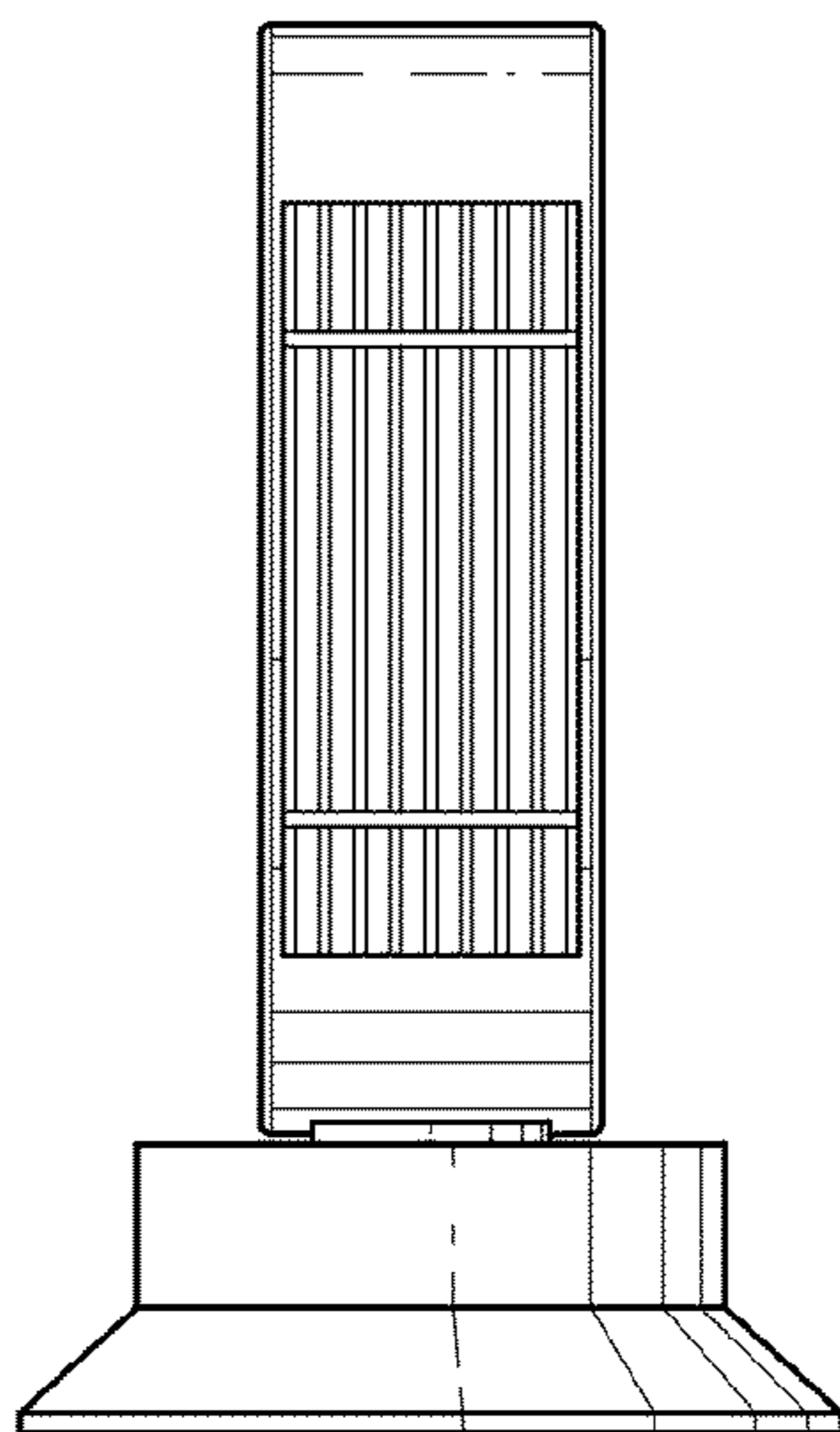




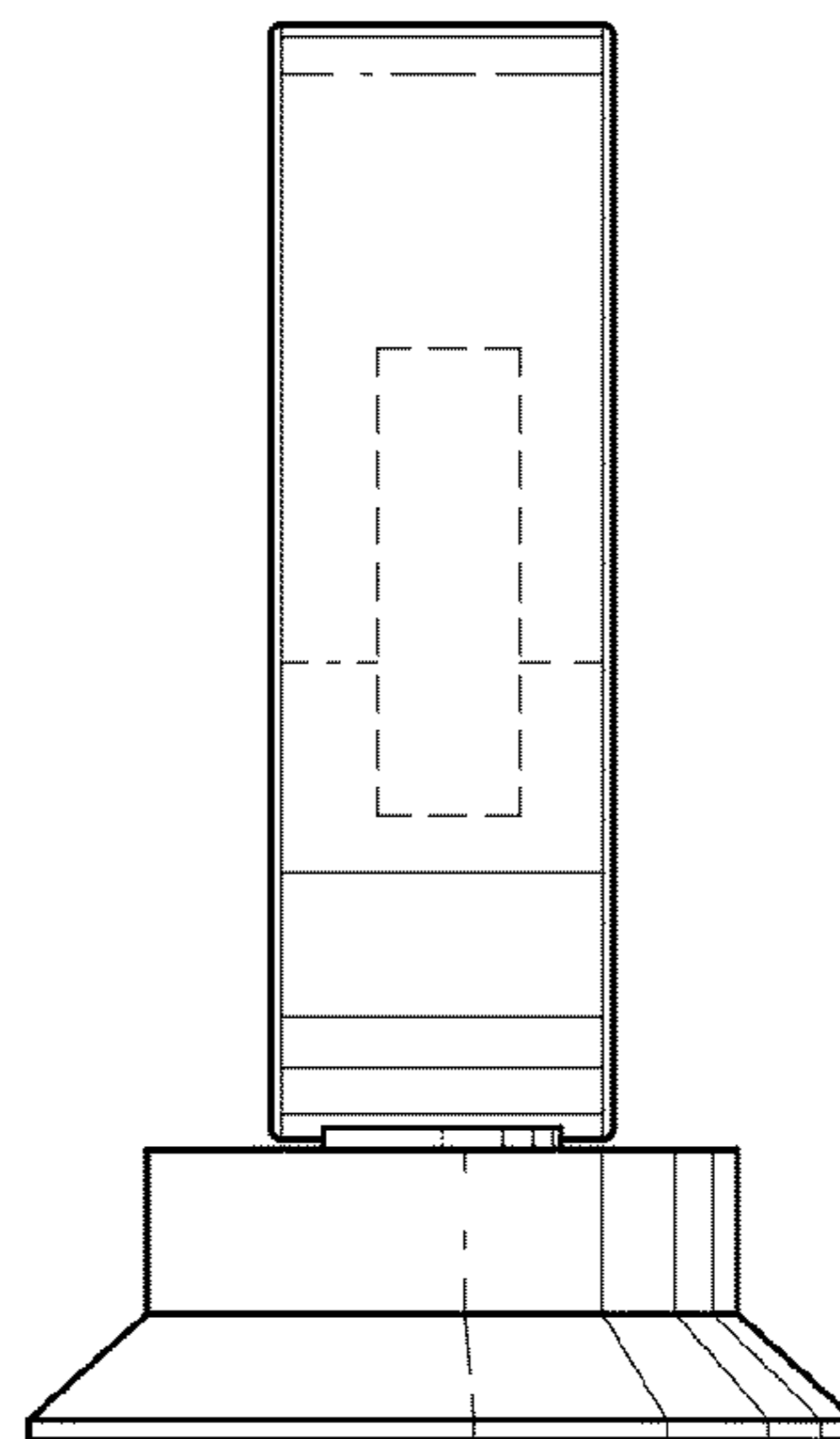
*FIG. 1*



*FIG. 2*



*FIG. 3*



*FIG. 4*