



US00D725763S

(12) **United States Design Patent**
Bisla

(10) **Patent No.:** **US D725,763 S**
(45) **Date of Patent:** **** *Mar. 31, 2015**

(54) **NOVELTY SPORTS FAN**

- (71) Applicant: **Jagdip S. Bisla**, Fresno, CA (US)
- (72) Inventor: **Jagdip S. Bisla**, Fresno, CA (US)
- (73) Assignee: **Jagdip S. Bisla**, Fresno, CA (US)
- (*) Notice: This patent is subject to a terminal disclaimer.
- (**) Term: **14 Years**
- (21) Appl. No.: **29/466,703**
- (22) Filed: **Sep. 10, 2013**

Related U.S. Application Data

- (63) Continuation-in-part of application No. 29/416,828, filed on Mar. 27, 2012, now Pat. No. Des. 693,915.
- (51) **LOC (10) Cl.** **23-04**
- (52) **U.S. Cl.**
USPC **D23/370; D23/382**
- (58) **Field of Classification Search**
USPC D23/314, 324, 332, 335, 336, 342, 355, D23/370, 381, 382, 386, 411, 412, 413, 414, D23/377, 378, 379; D21/710, 712, 713; D26/32, 57, 59, 73, 94, 125, 145, 146, D26/147, 156; 415/90, 121.2, 181, 182.1, 415/208.2, 209.2, 211.2; 416/110, 206, 416/240, 244 R, 246, 247 R
See application file for complete search history.

(56) **References Cited**

U.S. PATENT DOCUMENTS

- D149,284 S * 4/1948 Lippincott D23/336
- D181,416 S * 11/1957 Hewitt D23/370

(Continued)

Primary Examiner — Martie K Holtje

(74) *Attorney, Agent, or Firm* — Blue Capital Law Firm, P.C.

(57) **CLAIM**

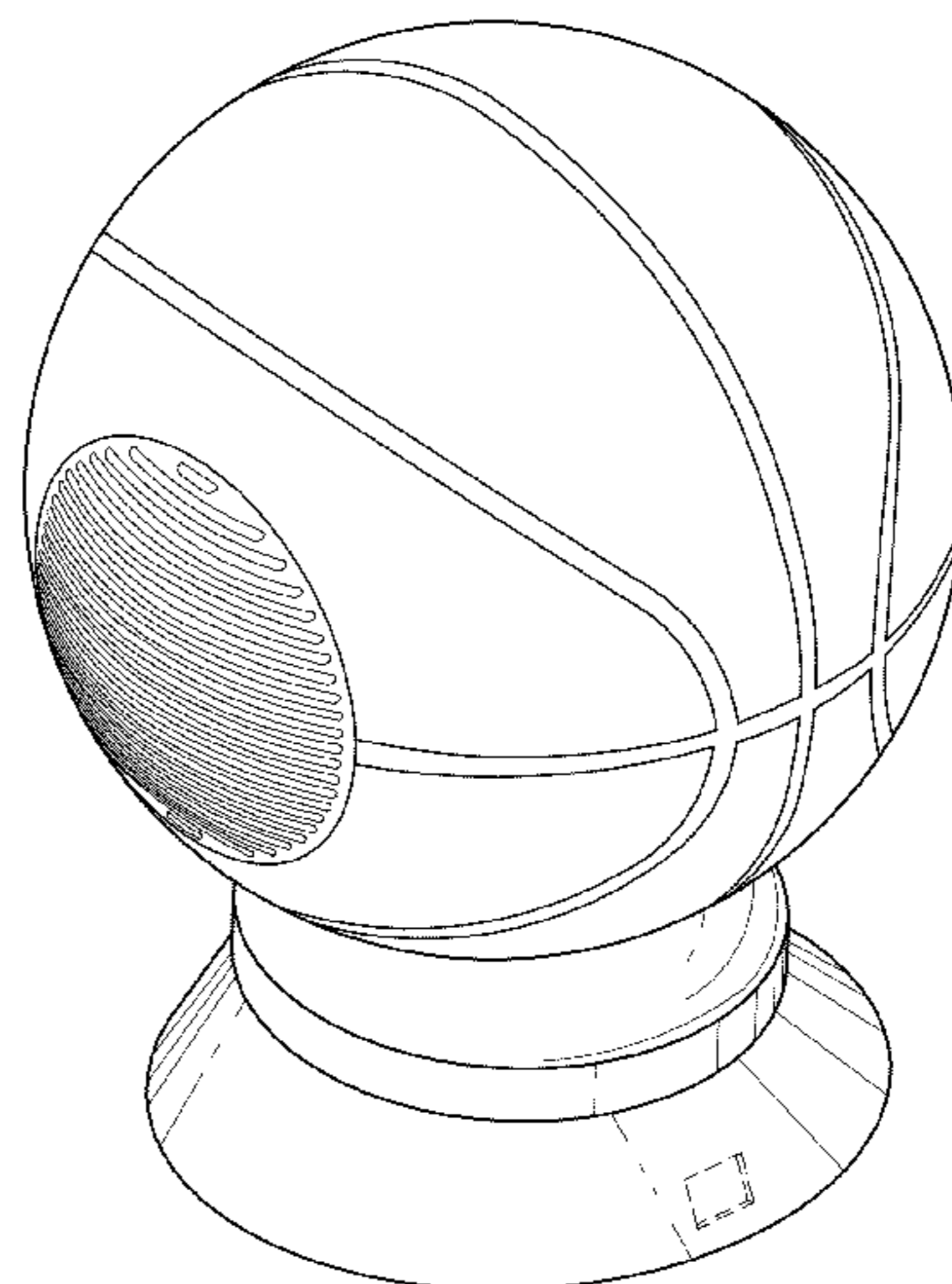
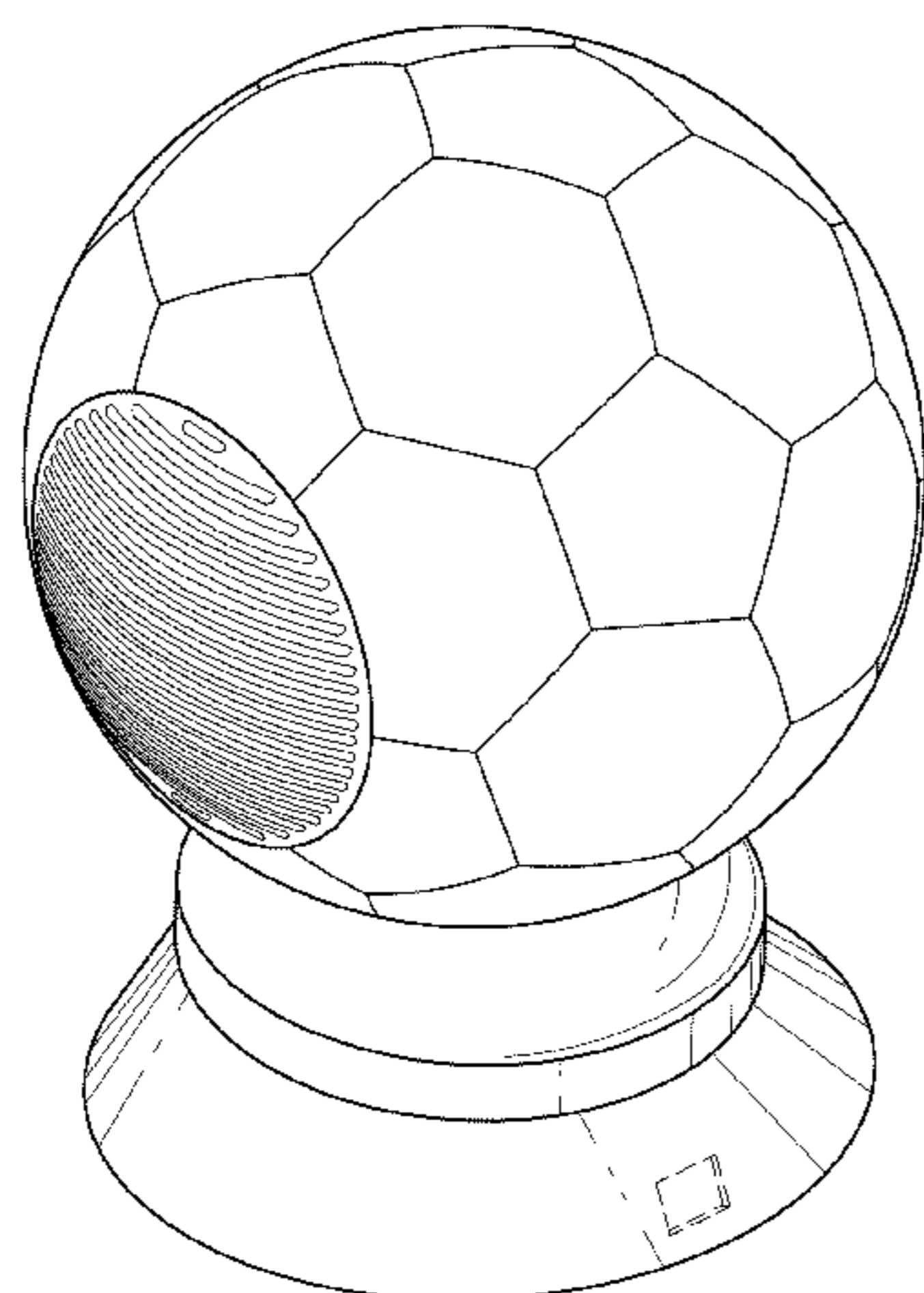
The ornamental design for a novelty sports fan, as shown and described.

DESCRIPTION

FIG. 1 is a top perspective view of a first embodiment of novelty sports fan showing my new design;
 FIG. 2 is a front view of the novelty sports fan of FIG. 1;
 FIG. 3 is a rear view of the novelty sports fan of FIG. 1;
 FIG. 4 is a right side view of the novelty sports fan taken from FIG. 1;
 FIG. 5 is a left side view of the novelty sports fan taken from FIG. 1;
 FIG. 6 is a top view of the novelty sports fan taken from FIG. 1;
 FIG. 7 is a bottom view of the novelty sports fan taken from FIG. 1;
 FIG. 8 is a top perspective view of a second embodiment of a novelty sports fan of my design of FIG. 1;
 FIG. 9 is a front view of the novelty sports fan of FIG. 8;
 FIG. 10 is a rear view of the novelty sports fan of FIG. 8;
 FIG. 11 is a right view of the novelty sports fan of FIG. 8;
 FIG. 12 is a left side view of the novelty sports fan taken from FIG. 8;
 FIG. 13 is a top view of the novelty sports fan taken from FIG. 8;
 FIG. 14 is a bottom view of the novelty sports fan taken from FIG. 8;
 FIG. 15 is a top perspective view of a third embodiment of a novelty sports fan of my design FIG. 1;
 FIG. 16 is a front view of the novelty sports fan of FIG. 15;
 FIG. 17 is a rear view of FIG. 15;
 FIG. 18 is a right side view of the novelty sports fan of FIG. 17;
 FIG. 19 is a left side view of the novelty sports fan of FIG. 17;
 FIG. 20 is a top view of the novelty sports fan taken from FIG. 17; and,
 FIG. 21 is a bottom view of the novelty sports fan taken from FIG. 17.

The structural elements depicted by broken lines in the drawings have been shown for the purpose of illustrating portions of the novelty sports fan that forms no part of the claimed design.

1 Claim, 12 Drawing Sheets



(56)

References Cited

U.S. PATENT DOCUMENTS

D218,429 S *	8/1970	Yotsukura	D23/382	D416,083 S *	11/1999	Altman	D23/381
D292,823 S *	11/1987	St. Clair	D23/382	D417,496 S *	12/1999	Chang et al.	D23/377
D306,203 S *	2/1990	Wei	D23/381	D418,595 S *	1/2000	Leslie	D23/411
D326,148 S *	5/1992	Lawlor	D23/382	D428,133 S *	7/2000	Chen	D23/411
D341,878 S *	11/1993	Cich, Jr.	D23/335	D436,161 S *	1/2001	Leslie	D23/382
D394,501 S *	5/1998	Bloom	D23/379	D458,672 S *	6/2002	Marchiano et al.	D23/378
D398,386 S *	9/1998	Chan	D23/324	D463,542 S *	9/2002	Marchiano et al.	D23/382
D400,668 S *	11/1998	Bloom	D23/379	D465,840 S *	11/2002	Marchiano et al.	D23/382
D416,082 S *	11/1999	Bloom	D23/379	D481,788 S *	11/2003	Marchiano et al.	D23/382
				D482,437 S *	11/2003	Marchiano et al.	D23/382
				D515,198 S *	2/2006	McGregory	D23/382
				D693,915 S *	11/2013	Bisla et al.	D23/370

* cited by examiner

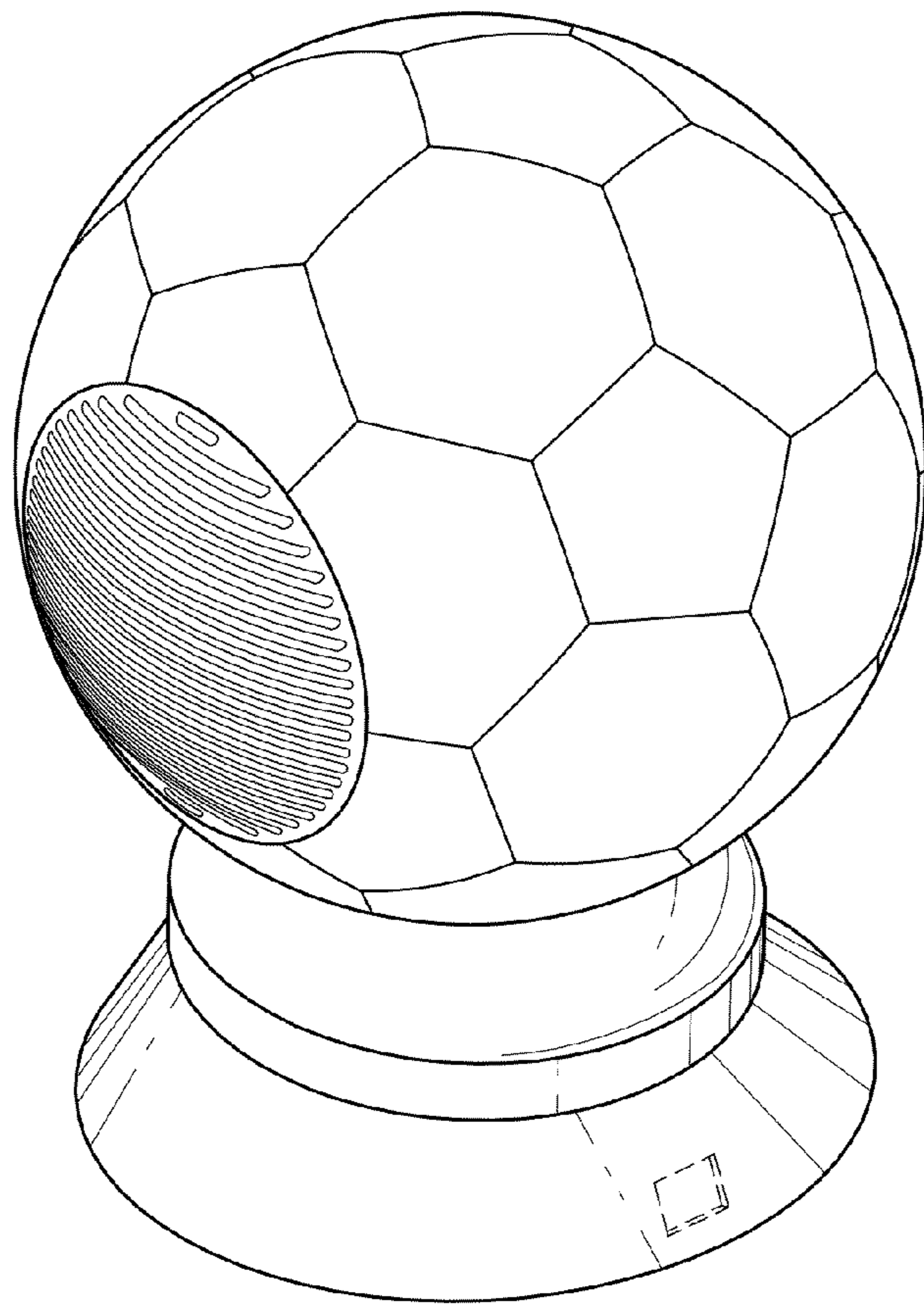


FIG. 1

FIG. 2

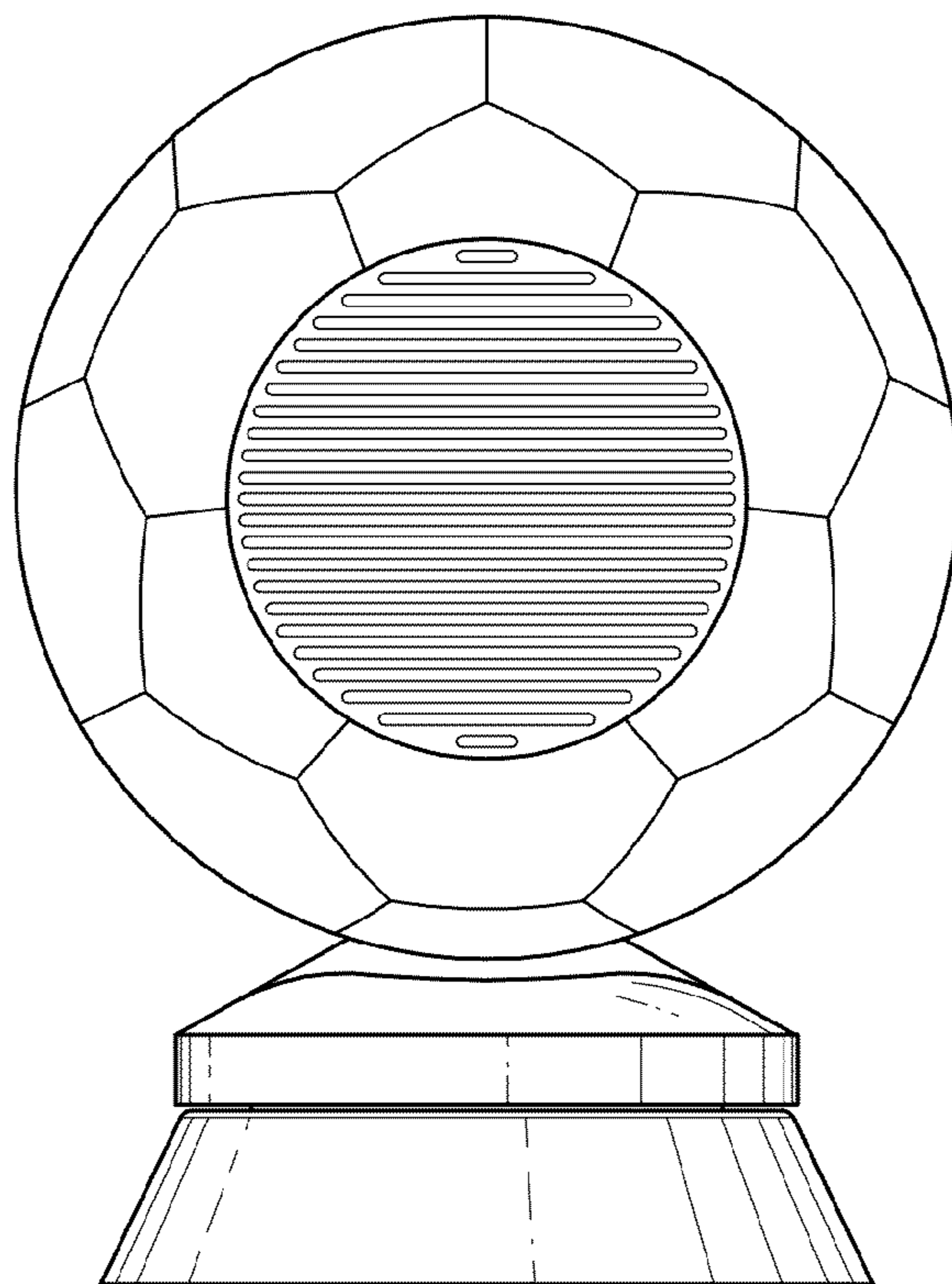


FIG. 3

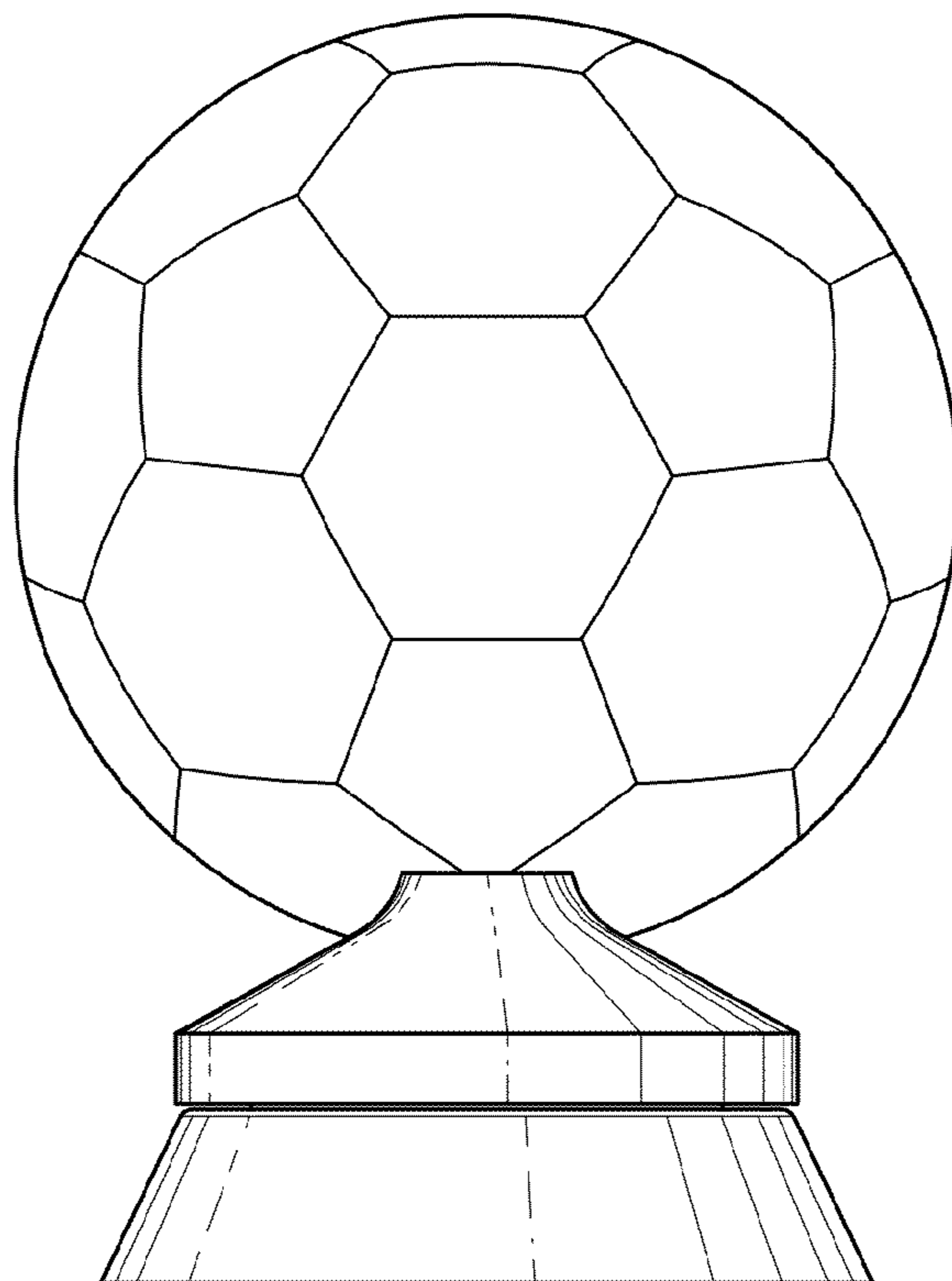


FIG. 4

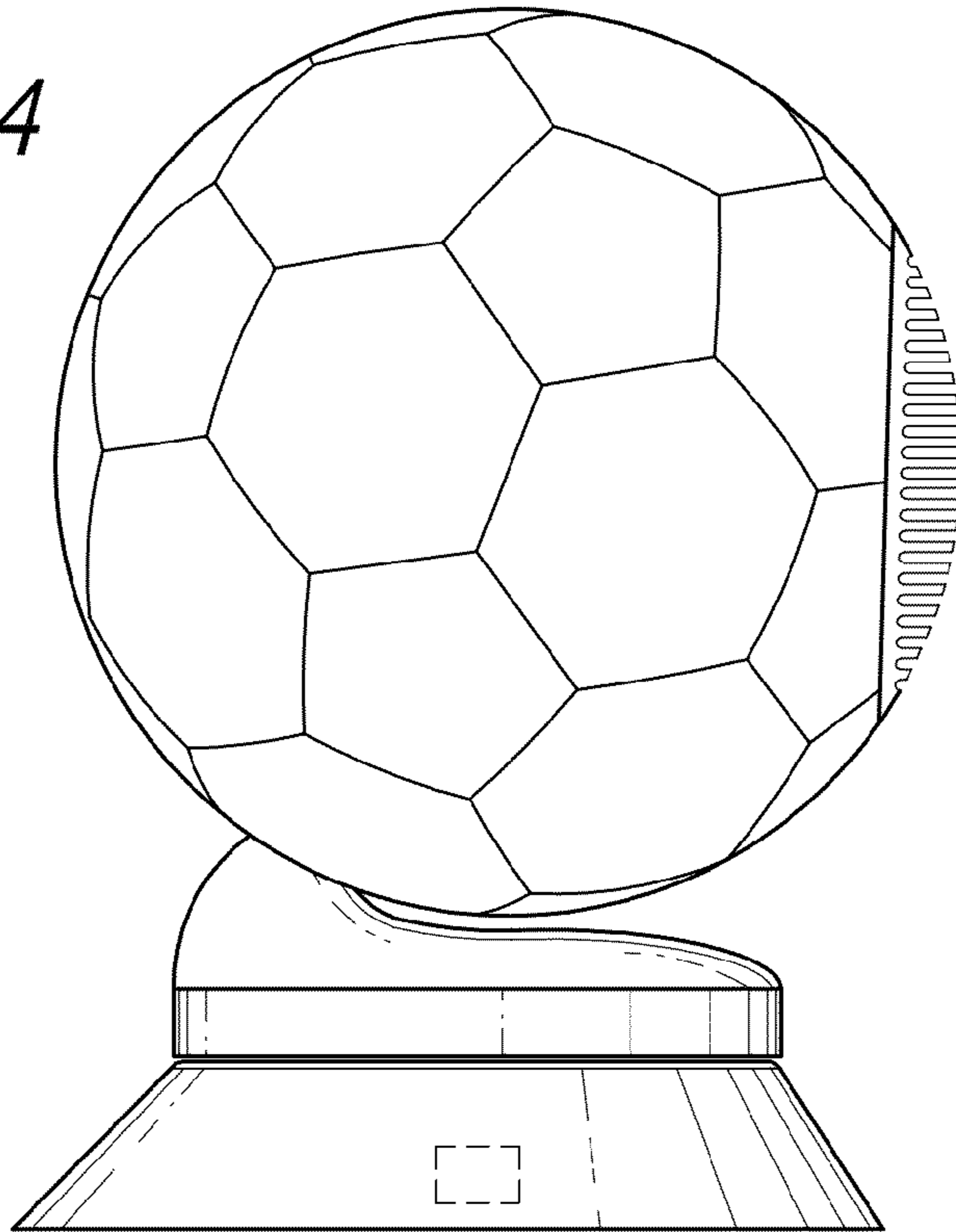


FIG. 5

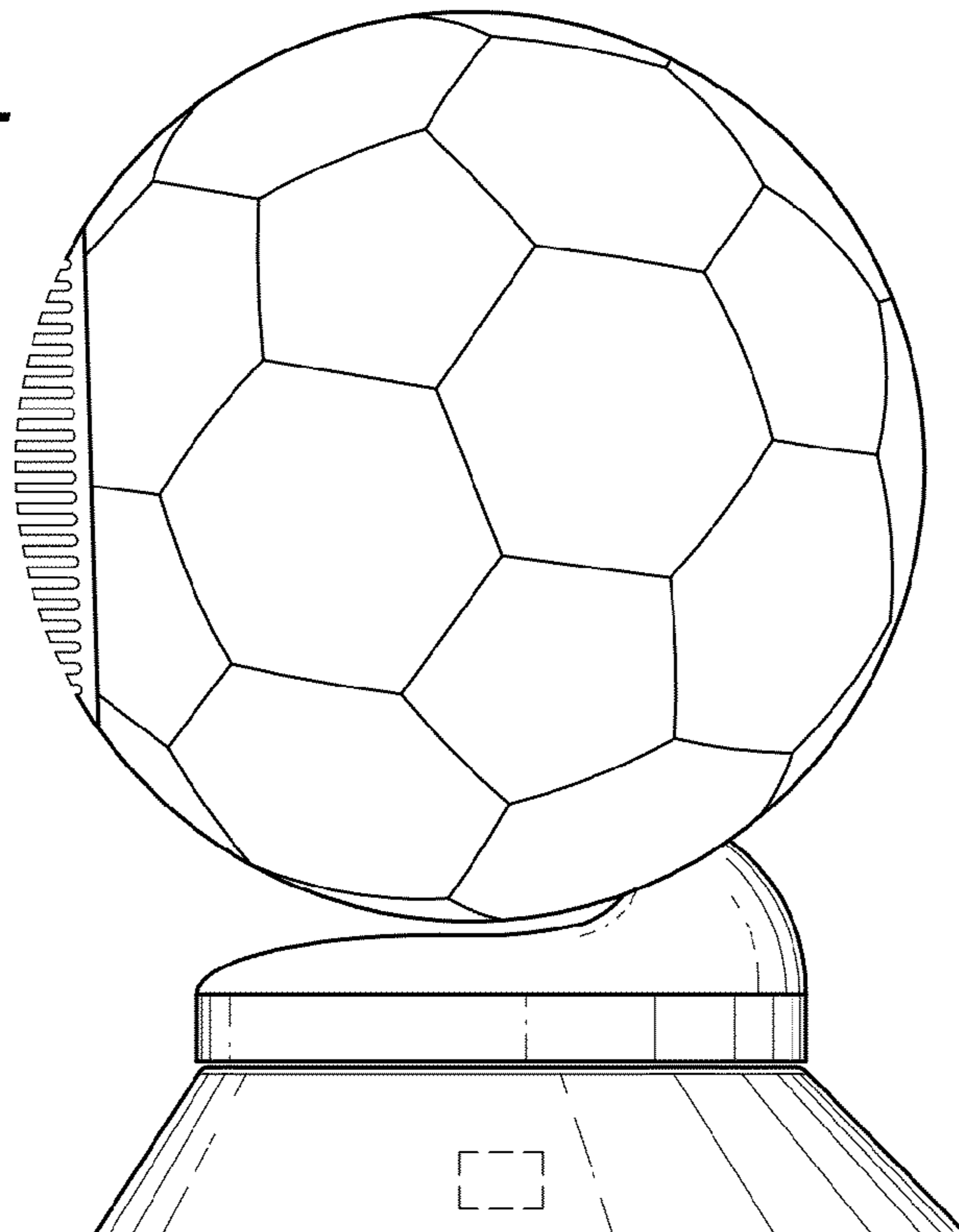


FIG. 6

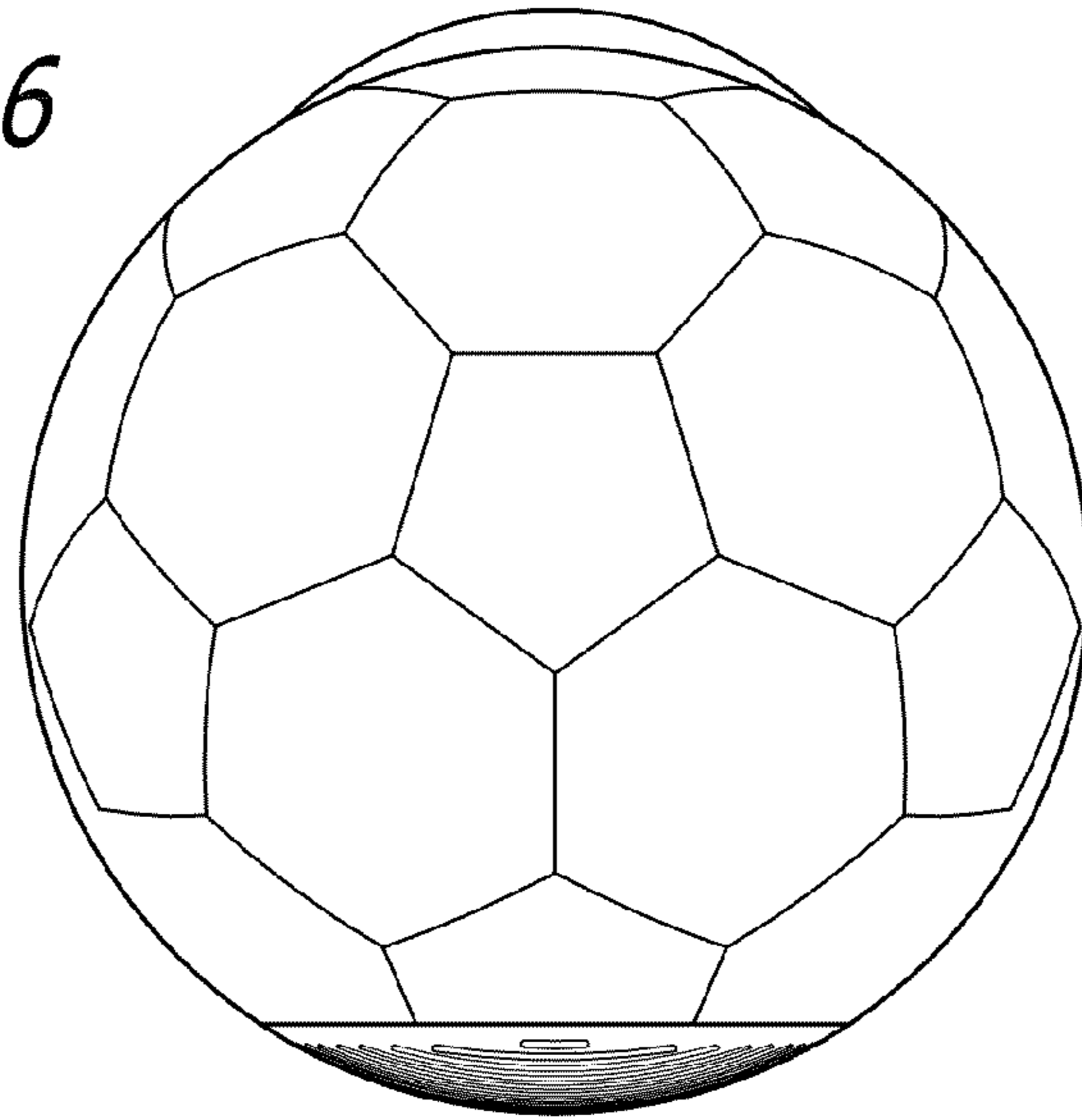
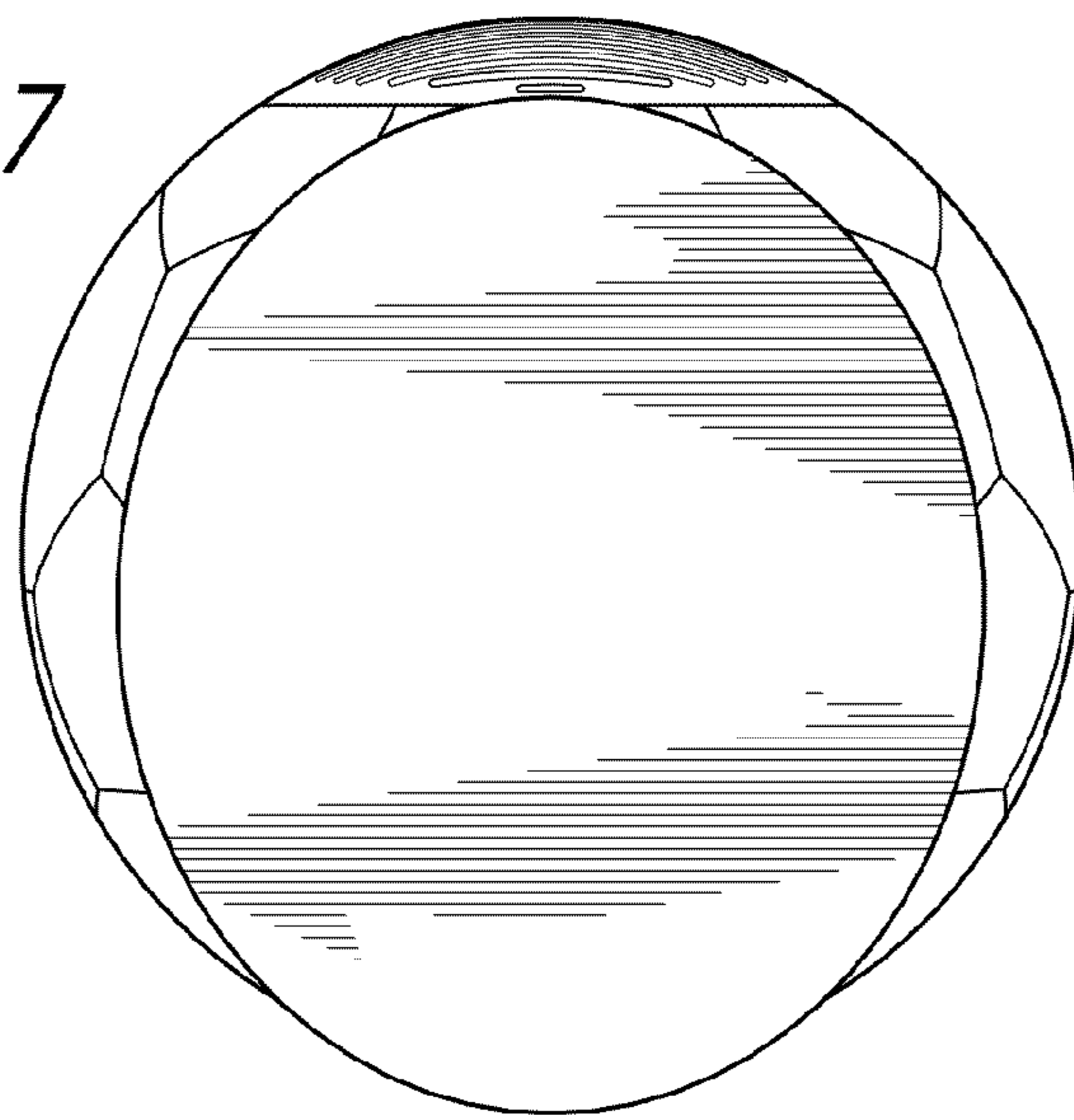


FIG. 7



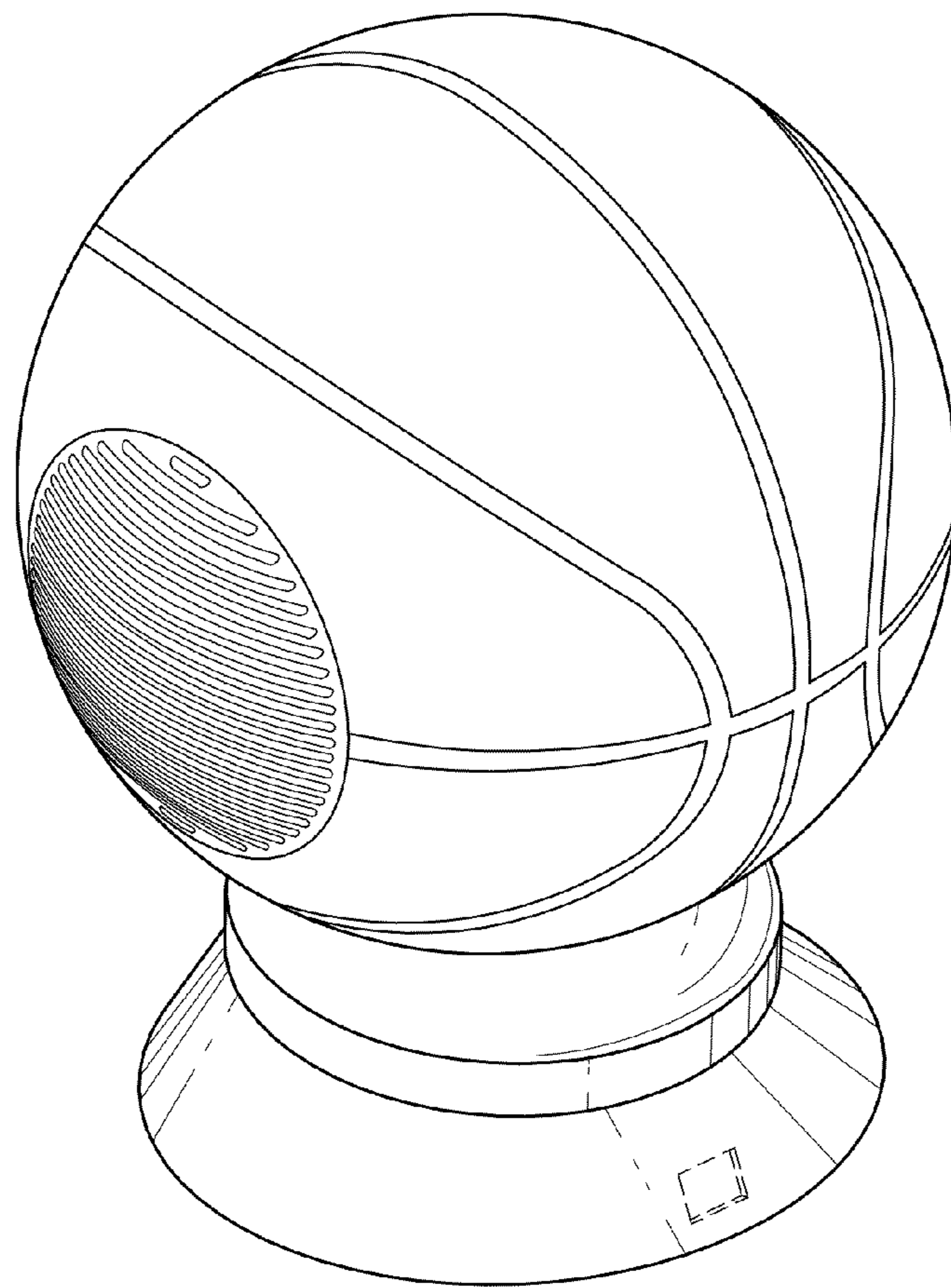


FIG. 8

FIG. 9

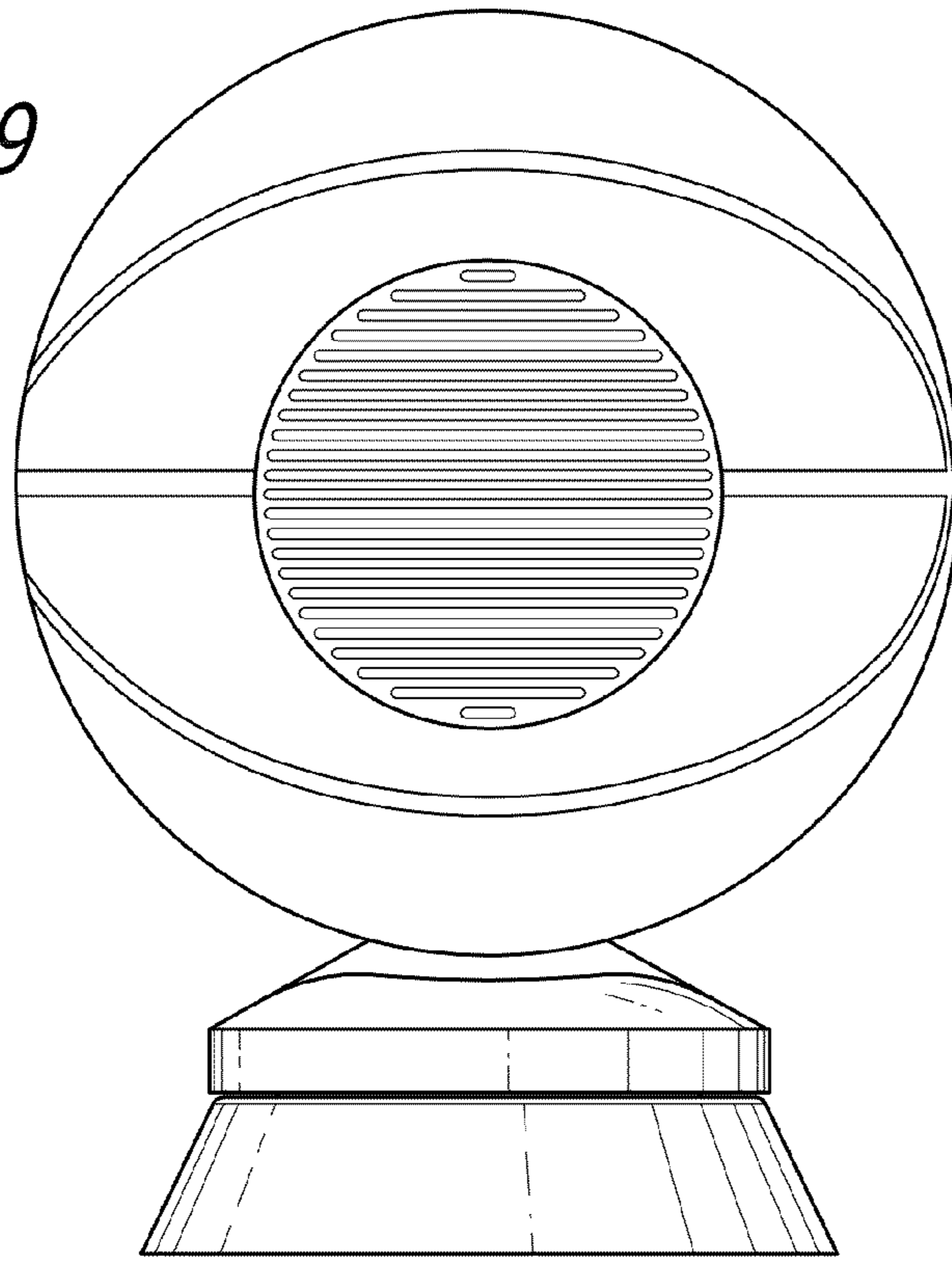


FIG. 10

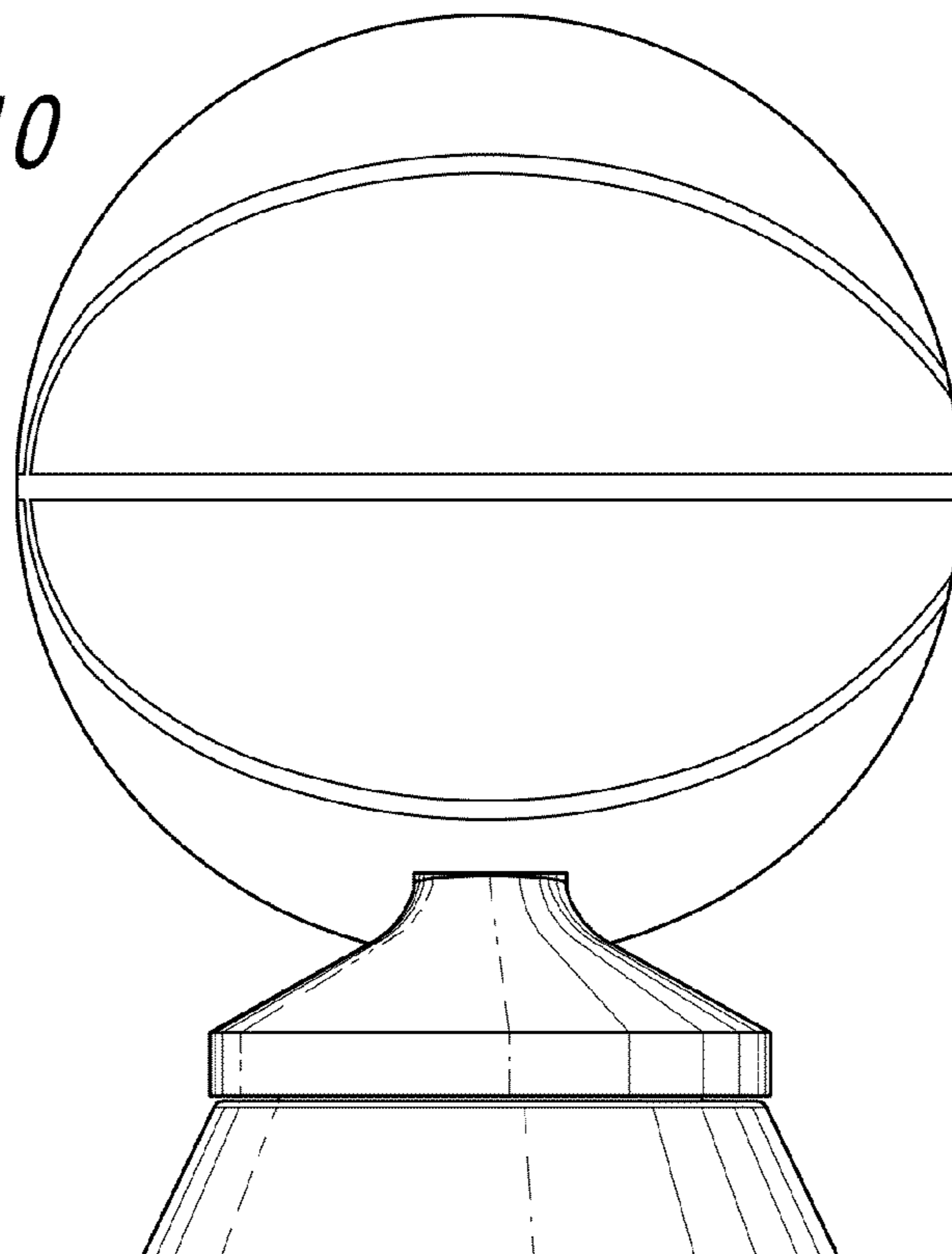


FIG. 11

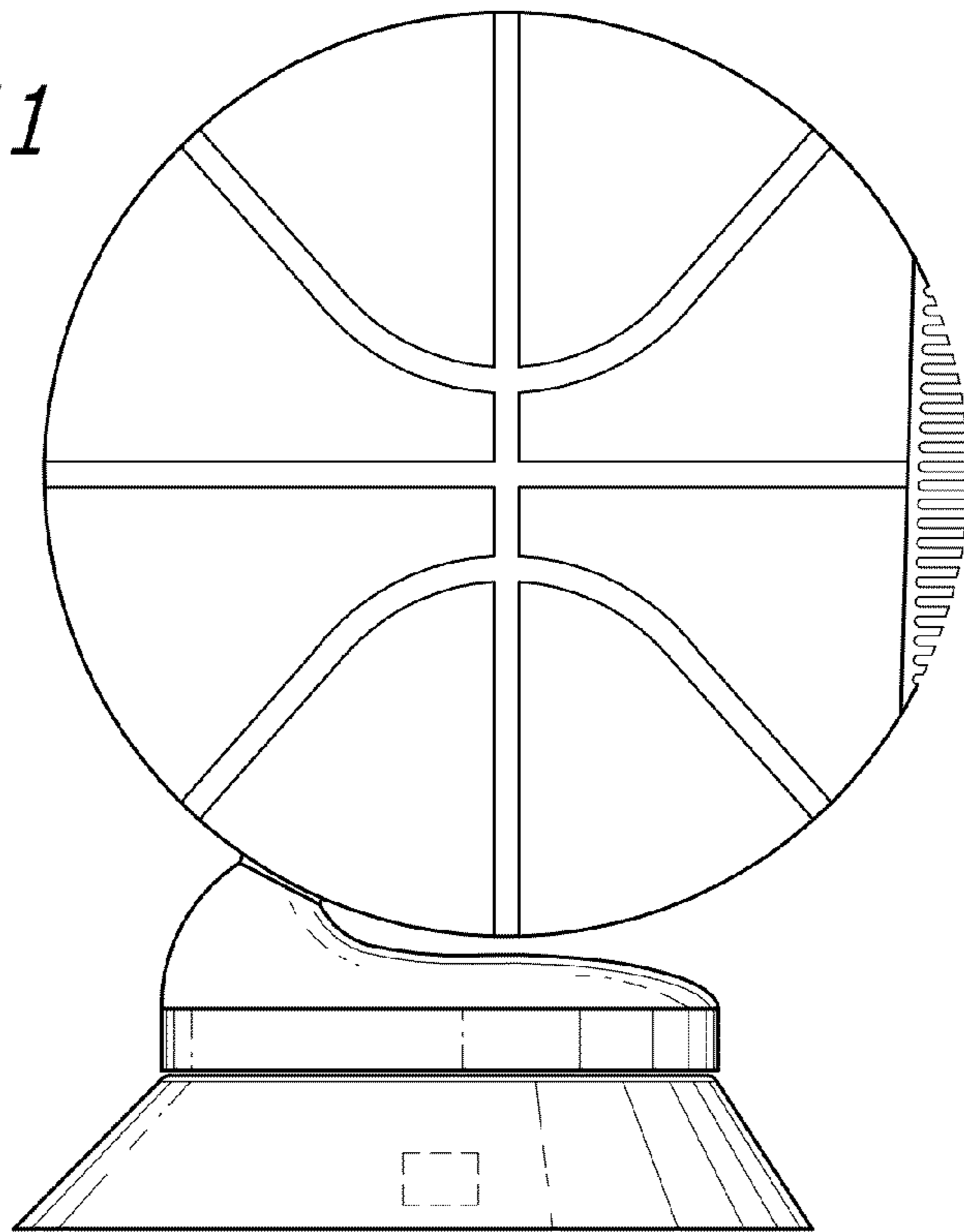


FIG. 12

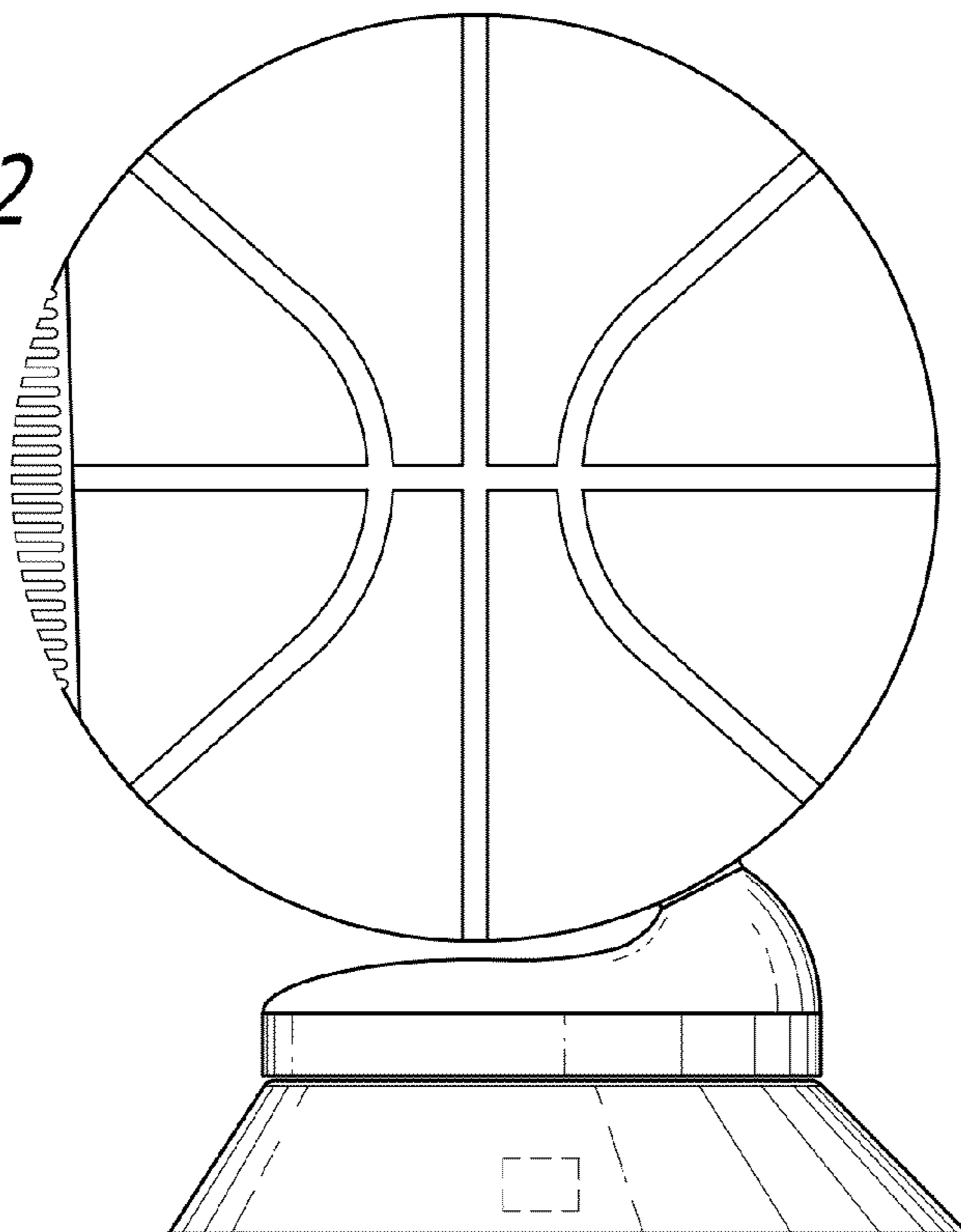


FIG. 13

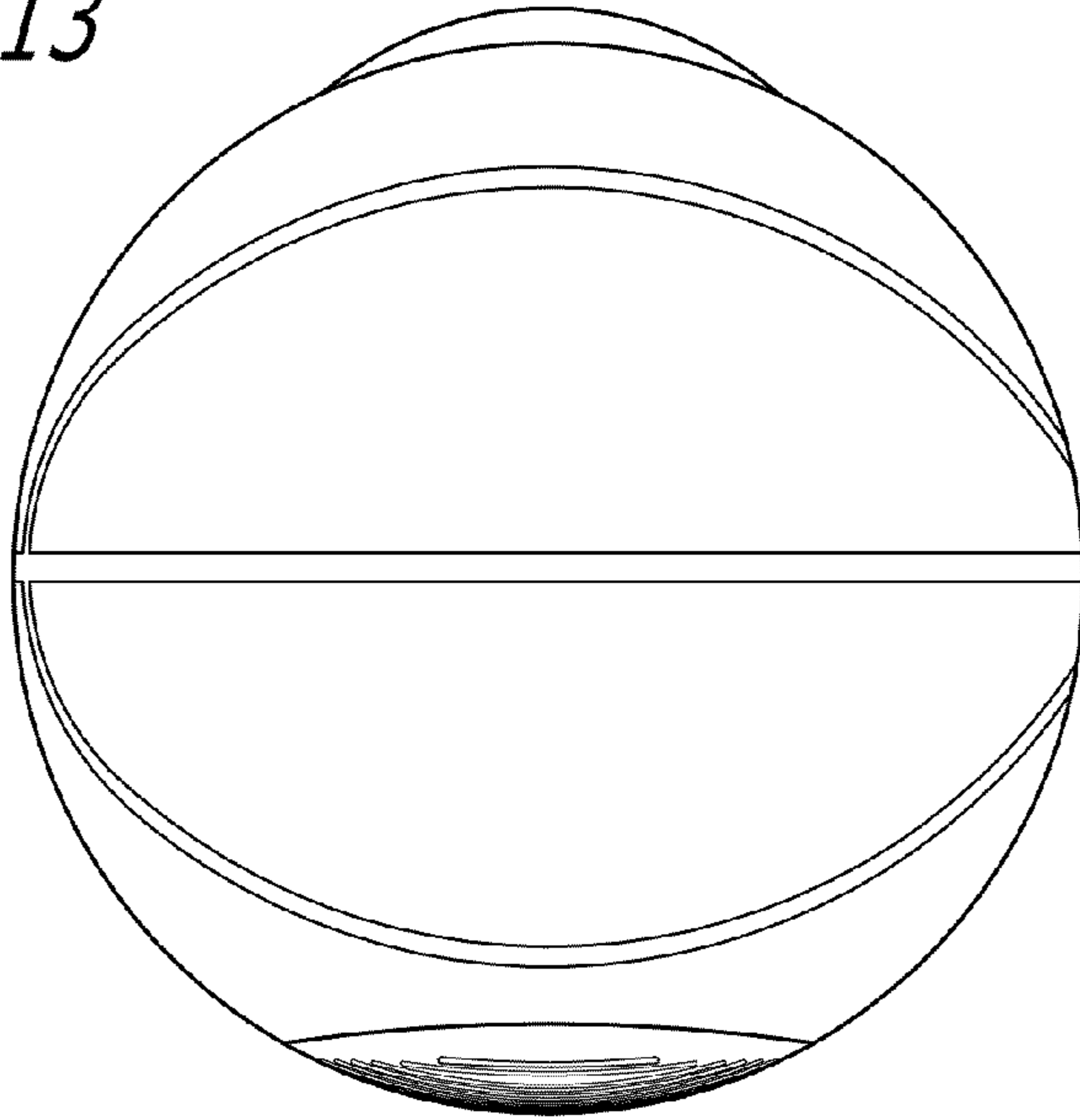
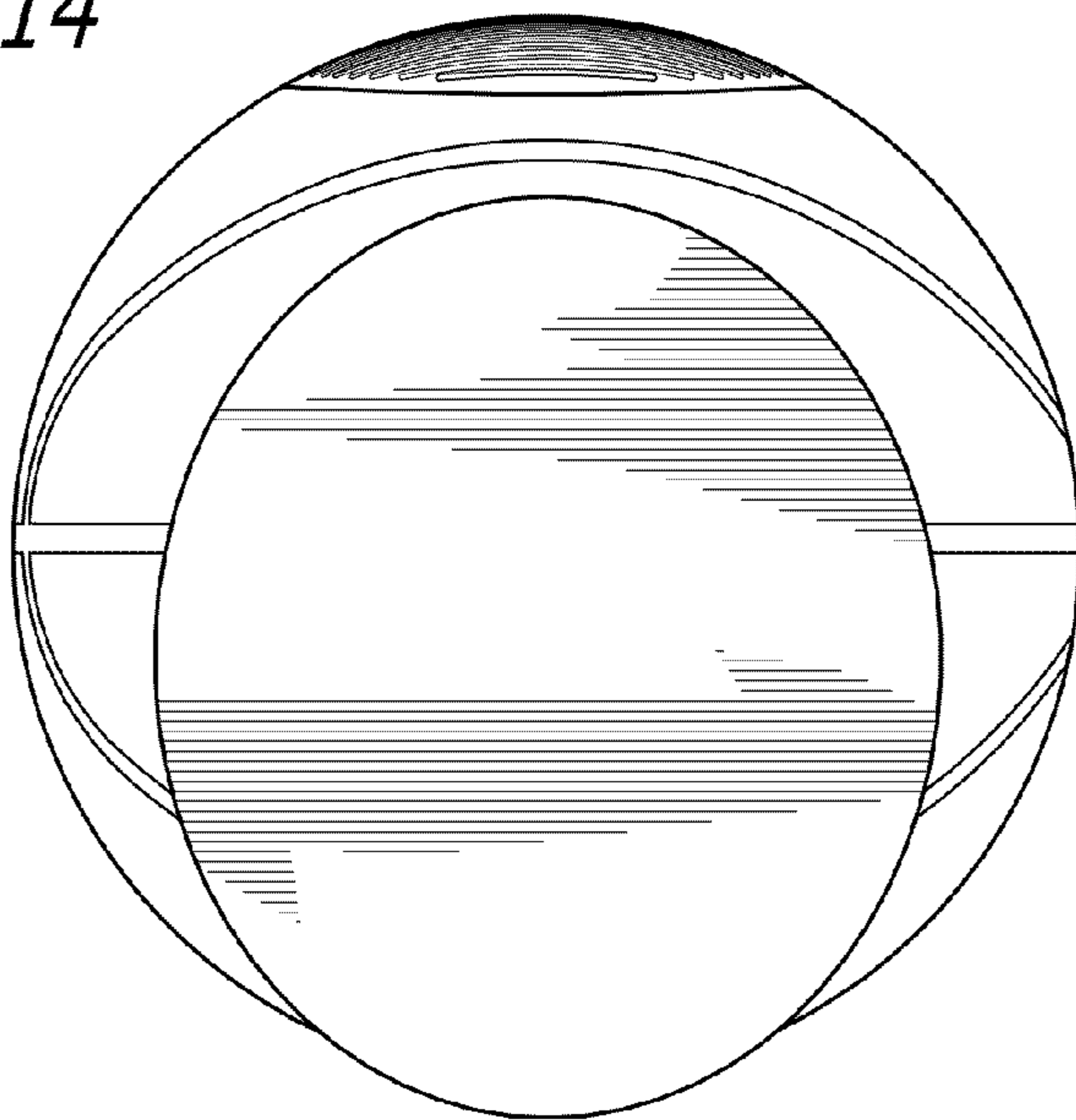


FIG. 14



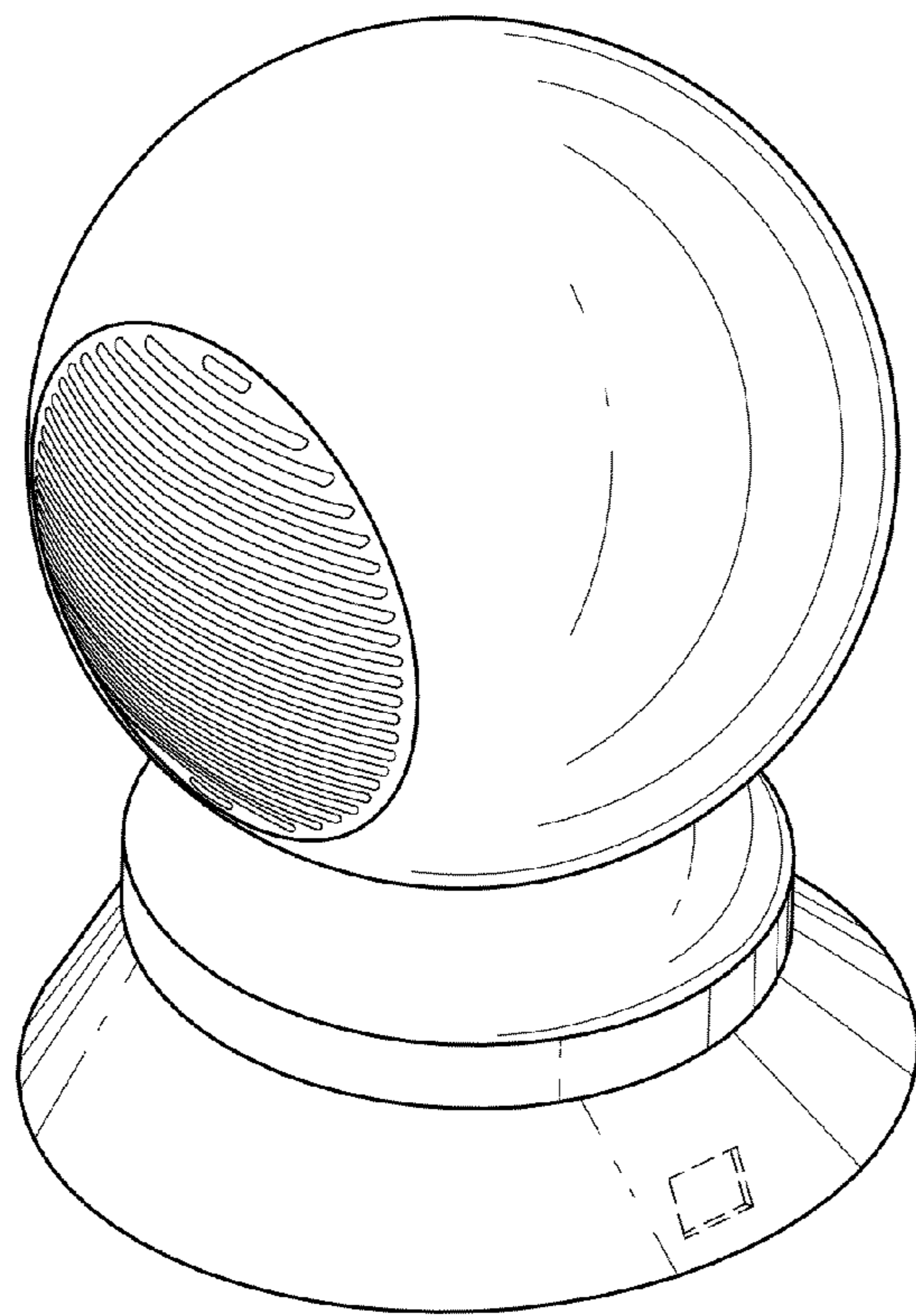


FIG. 15

FIG. 16

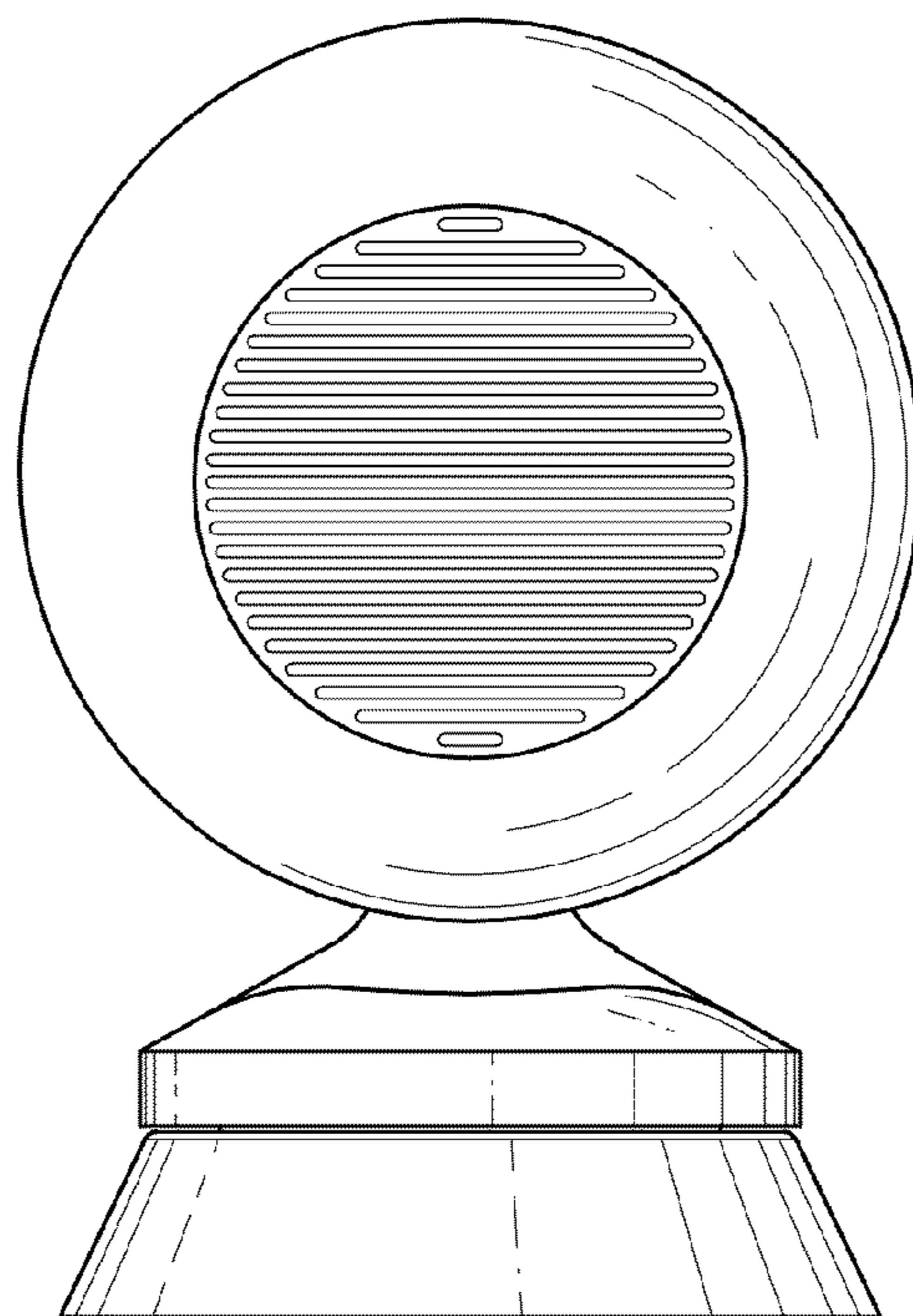


FIG. 17

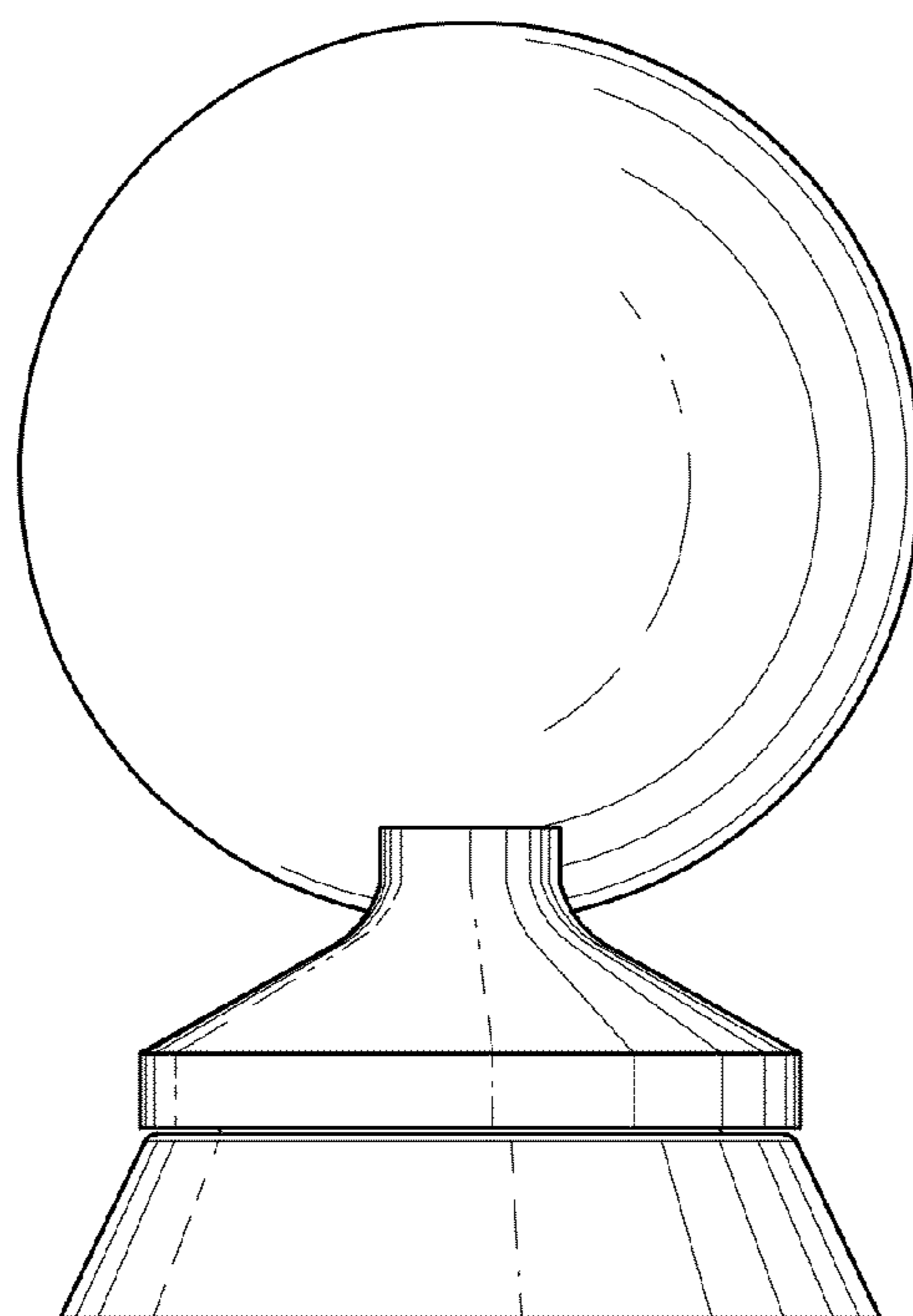


FIG. 18

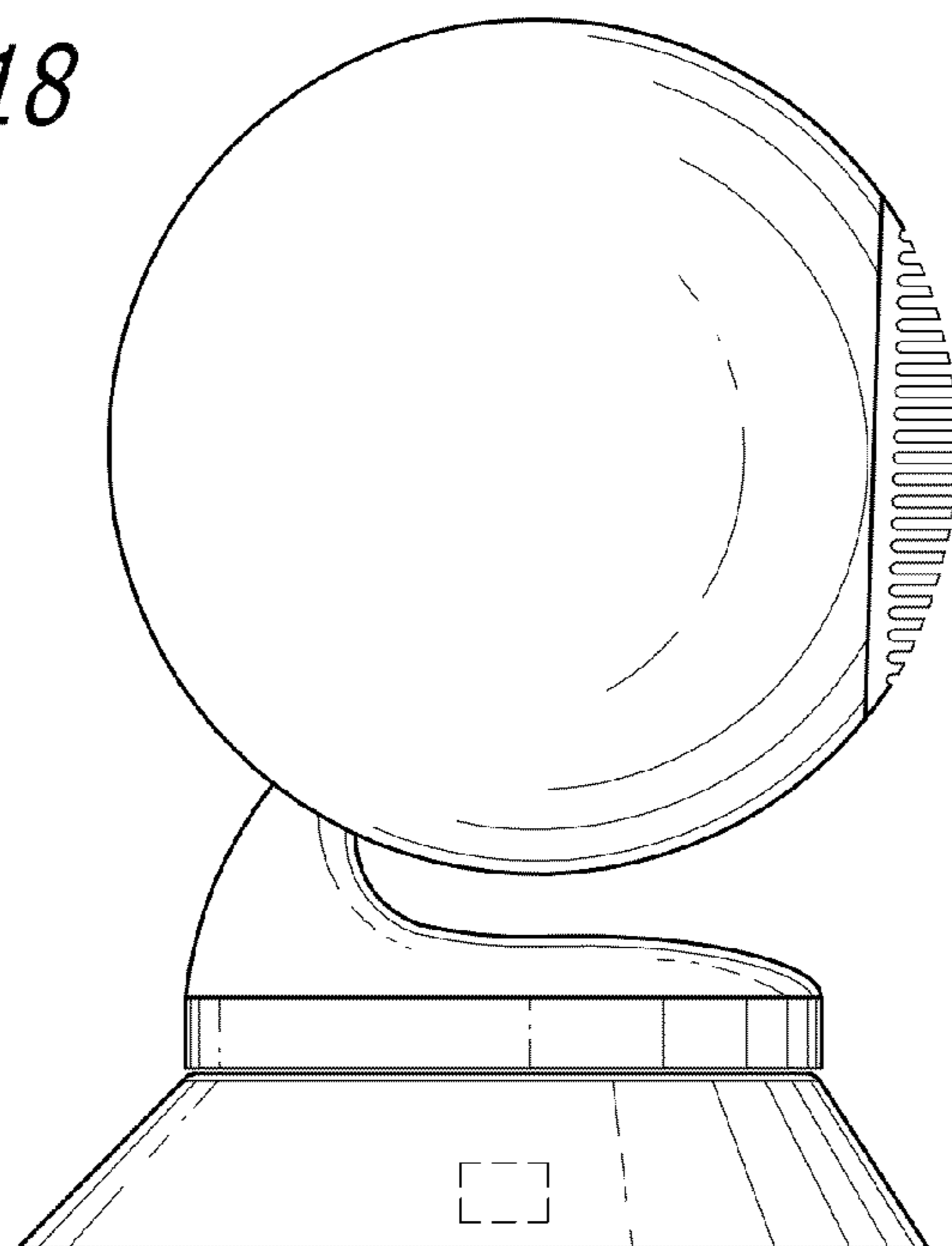


FIG. 19

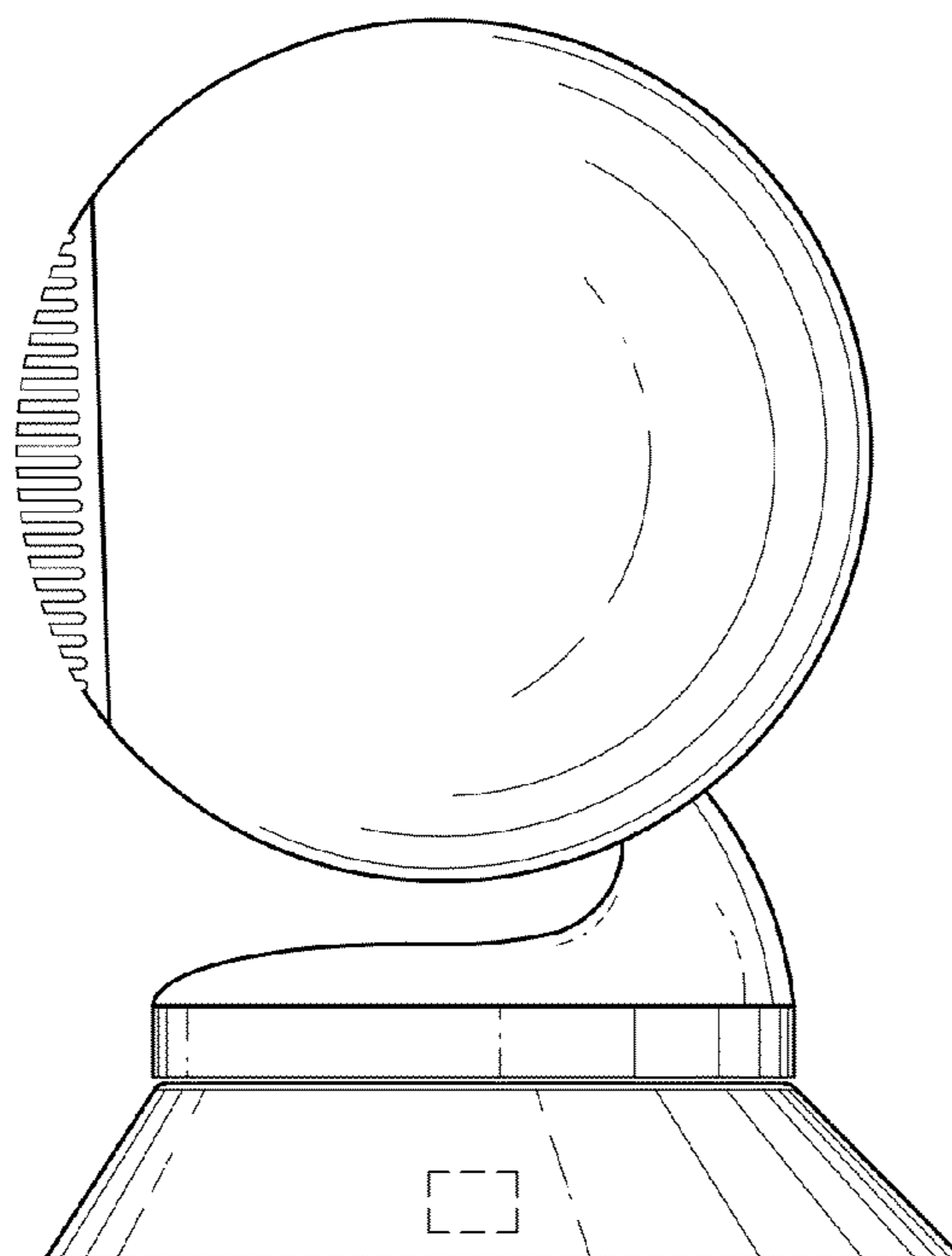


FIG. 20

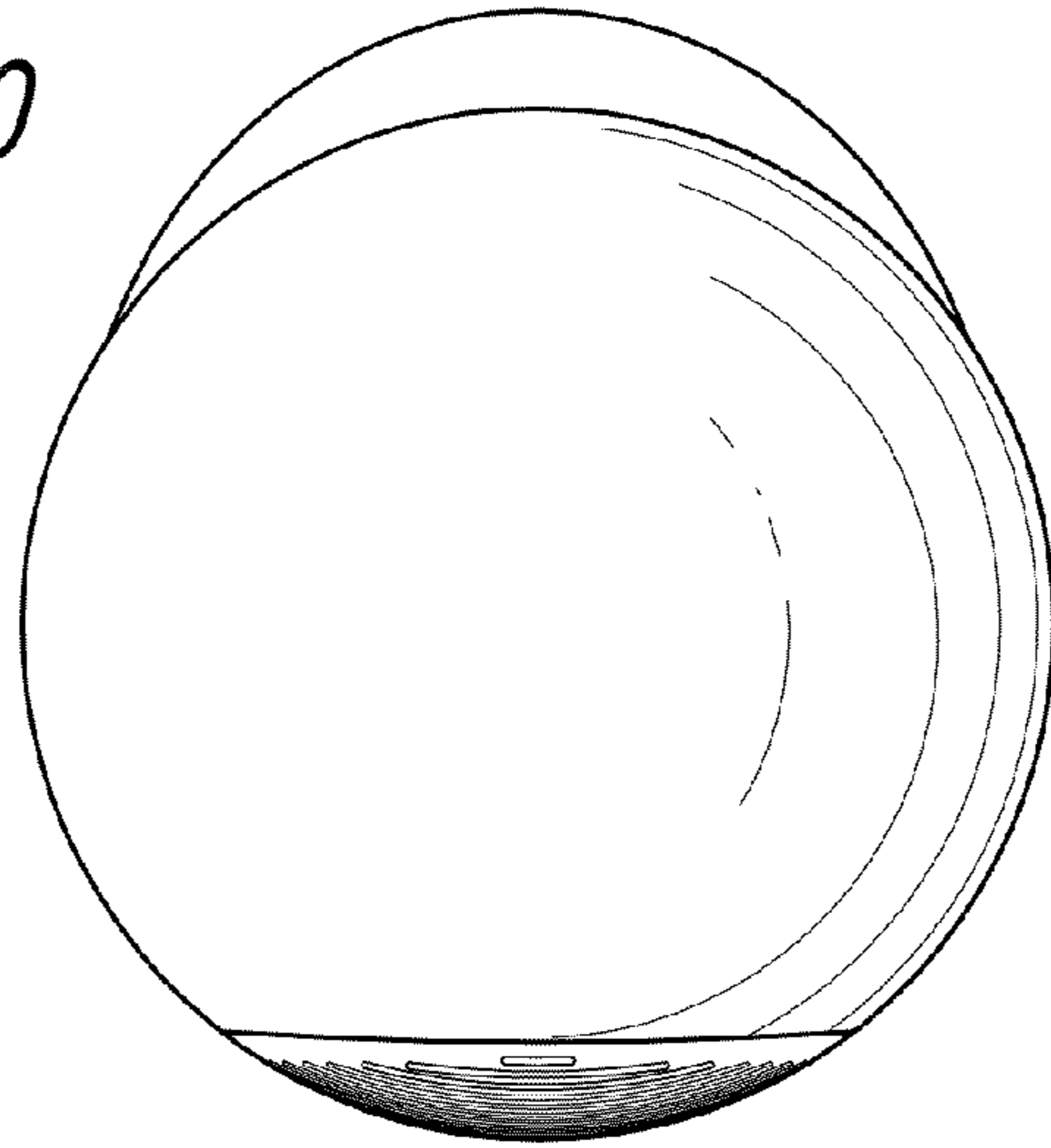


FIG. 21

