



US00D725755S

(12) **United States Design Patent**
Jones

(10) **Patent No.:** **US D725,755 S**
(45) **Date of Patent:** **** Mar. 31, 2015**

- (54) **BATHTUB TRAY**
- (71) Applicant: **JRJR Jones Products LLC**, Richmond, VA (US)
- (72) Inventor: **Joy Bechtold Jones**, Richmond, VA (US)
- (73) Assignee: **JRJR Jones Products LLC**, Richmond, VA (US)
- (**) Term: **14 Years**
- (21) Appl. No.: **29/512,310**
- (22) Filed: **Dec. 18, 2014**

4,878,257 A *	11/1989	Hardin	4/658
D325,249 S *	4/1992	Kliebert	D23/308
D329,280 S *	9/1992	Draucek, Sr.	D23/308
D338,685 S *	8/1993	Dakich	D32/74
5,701,615 A *	12/1997	Baker	4/559
D420,851 S *	2/2000	Wagner et al.	D7/407
6,701,543 B1	3/2004	Haq		
D513,065 S *	12/2005	Luong	D23/307
7,578,399 B1 *	8/2009	Mulaw	211/10
7,810,180 B2 *	10/2010	List	4/572.1
8,214,939 B2 *	7/2012	Spurlock	4/654
D674,569 S *	1/2013	Schelling	D32/74
D679,232 S *	4/2013	Thomas	D23/307
2011/0258768 A1	10/2011	Spingola		

* cited by examiner

Primary Examiner — Robert Delehanty
(74) *Attorney, Agent, or Firm* — Brian J. Teague

Related U.S. Application Data

- (62) Division of application No. 29/482,706, filed on Feb. 21, 2014.
- (51) **LOC (10) Cl.** **23-02**
- (52) **U.S. Cl.**
USPC **D23/304**
- (58) **Field of Classification Search**
USPC D23/270, 277–279, 303–304, 307;
4/553, 580, 584, 654–655, DIG. 18;
D32/56, 74
See application file for complete search history.

(57) **CLAIM**

I claim the ornamental design for a bathtub tray, as shown and described.

DESCRIPTION

FIG. 1 is a perspective view from the top and front of a bathtub tray showing the new design;
FIG. 2 is a perspective view thereof from the top and rear;
FIG. 3 is a top view thereof;
FIG. 4 is a bottom view thereof;
FIG. 5 is a left side view thereof;
FIG. 6 is a right side view thereof;
FIG. 7 is a front view thereof; and,
FIG. 8 is a rear view thereof.

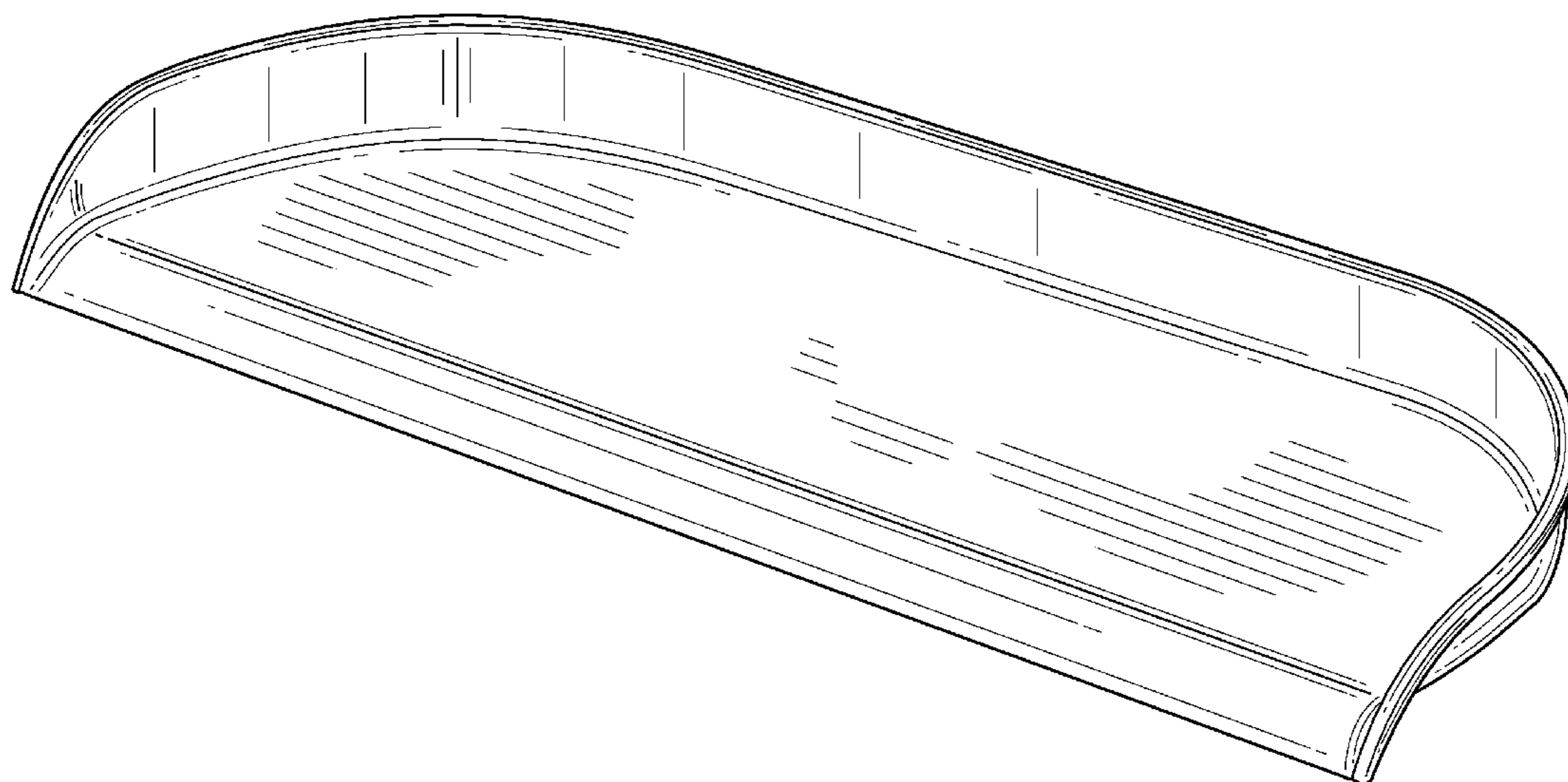
In the drawings, the broken lines shown in the figures depict unclaimed subject matter and/or environmental structure, and form no part of the claimed design.

1 Claim, 6 Drawing Sheets

(56) **References Cited**

U.S. PATENT DOCUMENTS

2,651,924 A *	9/1953	Lawrence	D32/74
3,444,564 A *	5/1969	Lavacchia	4/559
4,369,532 A *	1/1983	Houchins et al.	4/619
D288,374 S *	2/1987	Ikeda	D32/56
D288,375 S *	2/1987	Okami	D32/56



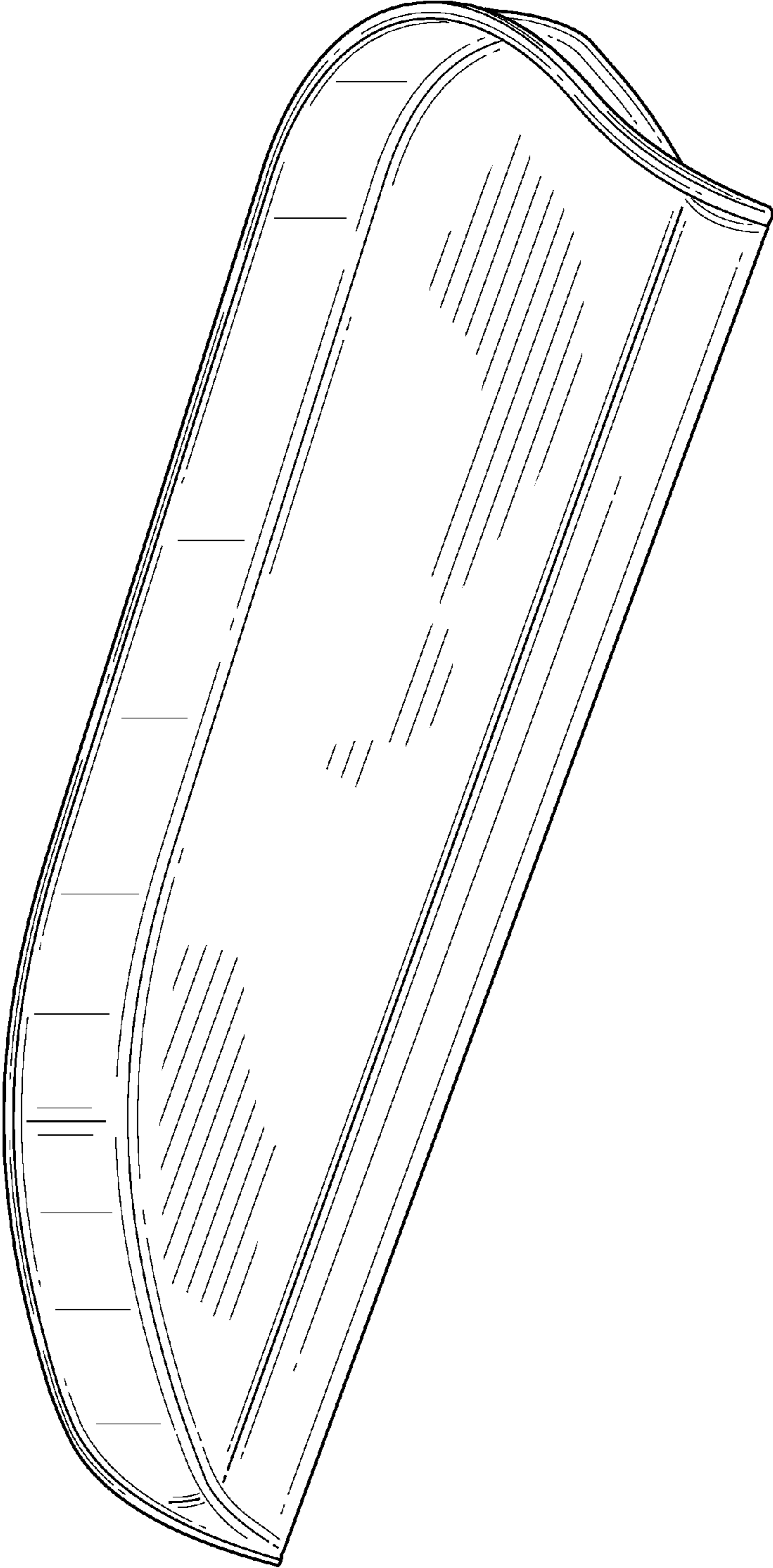


FIG. 1

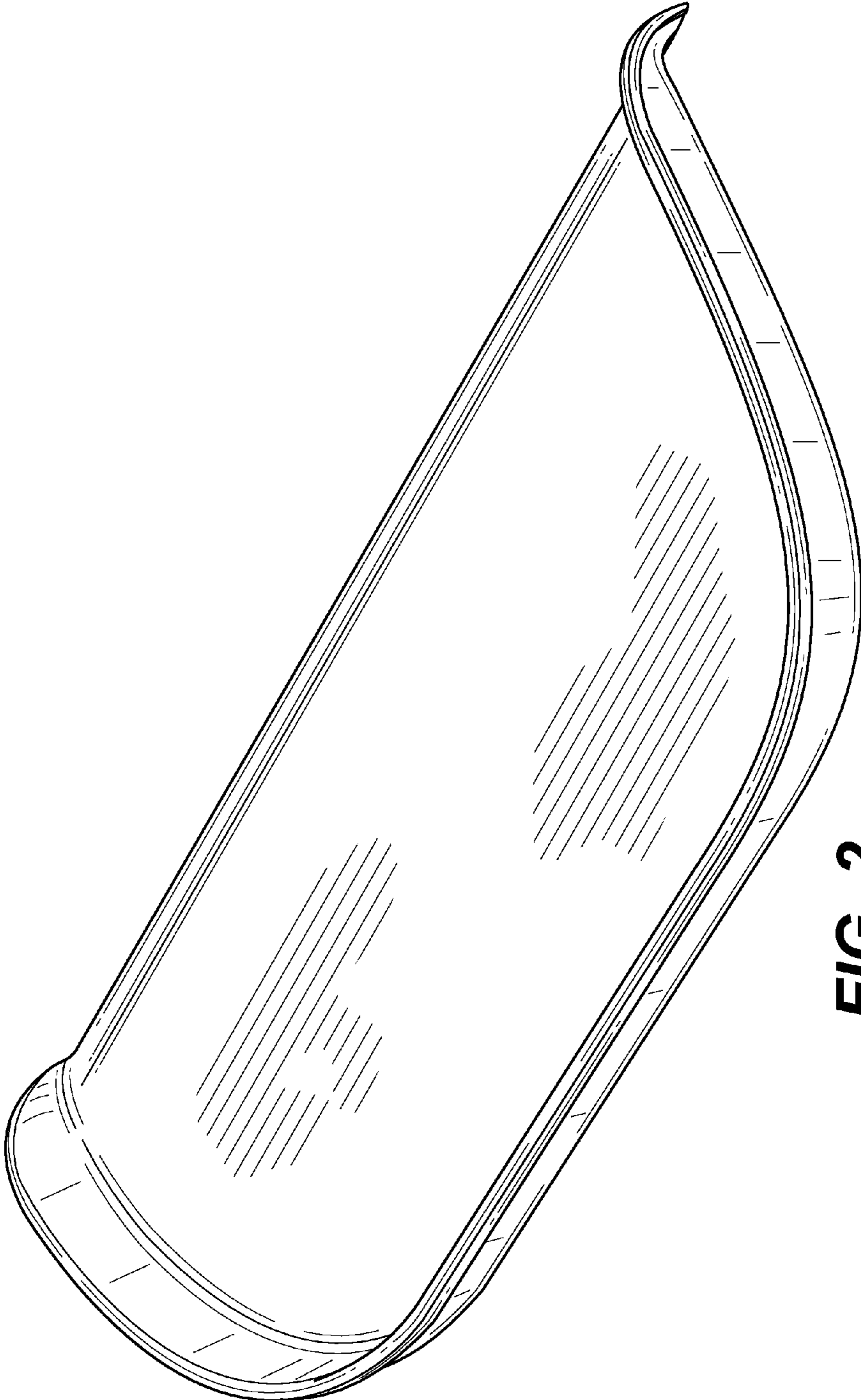


FIG. 2

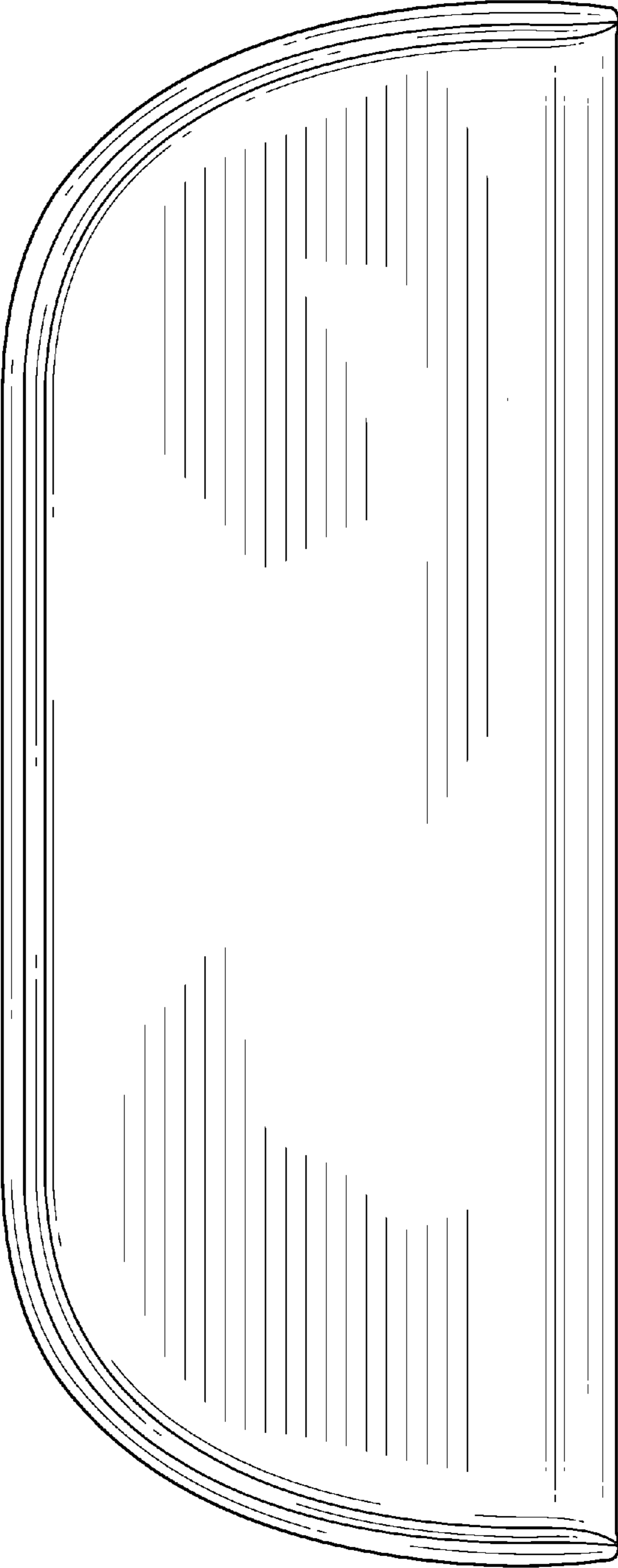


FIG. 3

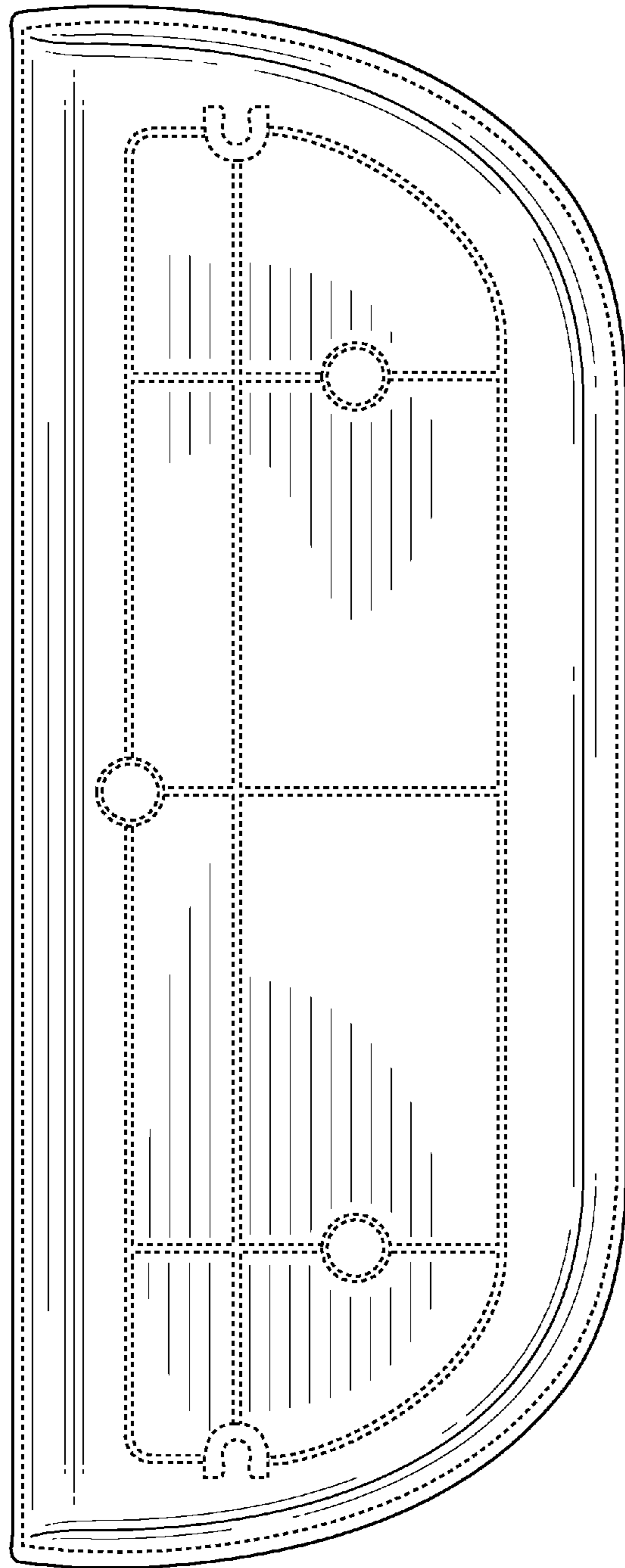


FIG. 4

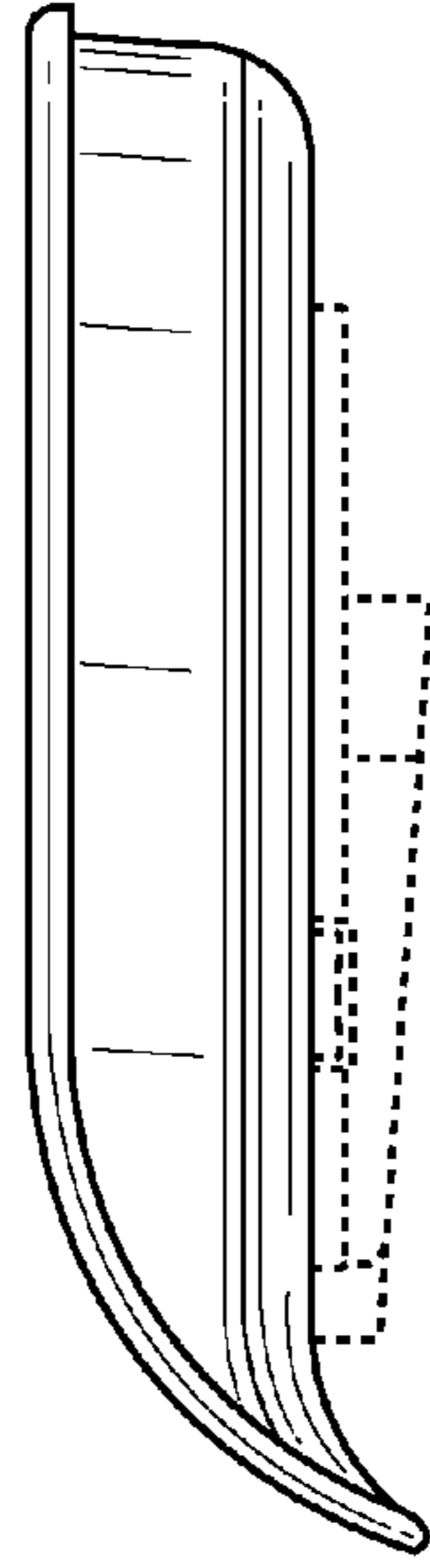


FIG. 6

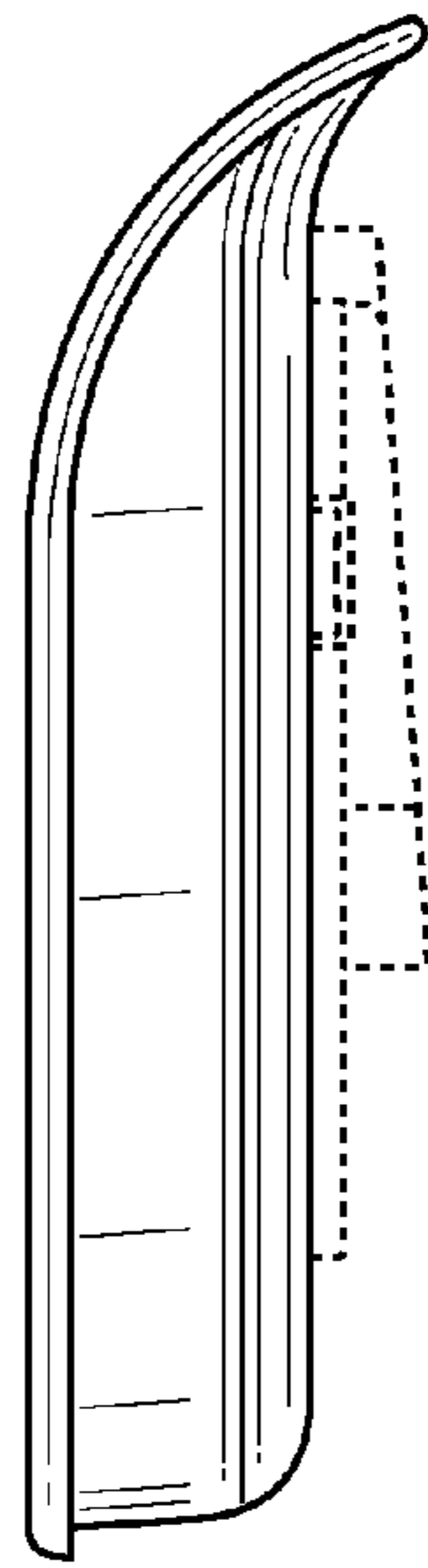


FIG. 5

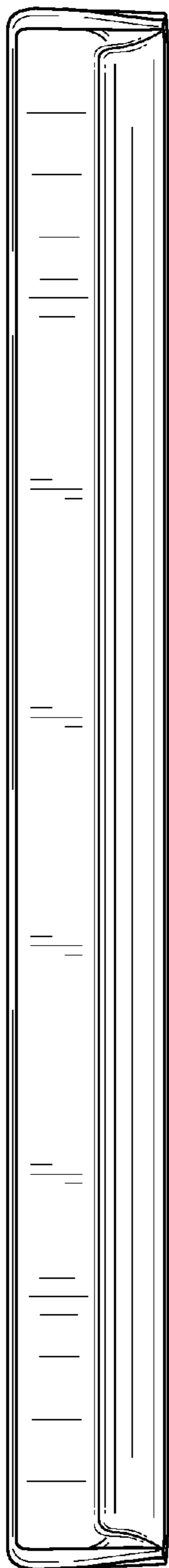


FIG. 7

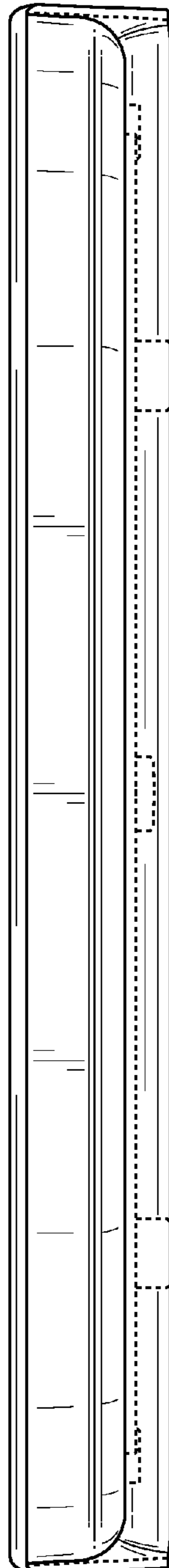


FIG. 8