



US00D725750S

(12) **United States Design Patent**
Mezzalira et al.

(10) **Patent No.:** **US D725,750 S**
(45) **Date of Patent:** **** Mar. 31, 2015**

- (54) **HOSE CONNECTOR WITH COVER**
- (71) Applicants: **Alessandro Mezzalira**, Sandrigo (IT);
Alberto Samperi, Sandrigo (IT)
- (72) Inventors: **Alessandro Mezzalira**, Sandrigo (IT);
Alberto Samperi, Sandrigo (IT)
- (73) Assignee: **FITT S.p.A.**, Sandrigo (VI) (IT)
- (**) Term: **14 Years**
- (21) Appl. No.: **29/491,790**
- (22) Filed: **May 23, 2014**

Related U.S. Application Data

- (63) Continuation-in-part of application No. 29/491,783,
filed on May 23, 2014.
- (51) **LOC (10) Cl.** **23-01**
- (52) **U.S. Cl.**
USPC **D23/259**
- (58) **Field of Classification Search**
USPC D23/213, 223, 229, 259, 260, 261, 262,
D23/263, 264, 265, 266, 267, 268, 269;
239/107, 109, 582.1; 285/21.1, 21.2,
285/24, 27, 30, 31, 338, 347; D24/129, 130
See application file for complete search history.

References Cited

U.S. PATENT DOCUMENTS

- 2,993,655 A * 7/1961 O'Brien 239/582.1
- D326,322 S * 5/1992 Clegg et al. D24/130
- D369,409 S * 4/1996 Salter D24/129
- D391,349 S * 2/1998 Chih D23/229
- D413,962 S * 9/1999 Hui-Chen D23/213
- D414,244 S * 9/1999 Hui-Chen D23/213
- D415,554 S * 10/1999 Hui-Chen D23/213

- D424,165 S * 5/2000 Guo D23/229
- D501,913 S * 2/2005 Chen D23/213
- D570,953 S * 6/2008 Patterson et al. D23/213
- D575,377 S * 8/2008 Roman D23/259
- D634,087 S * 3/2011 Sgroi et al. D32/40
- D639,915 S * 6/2011 Barton D23/262
- D645,547 S * 9/2011 Lombardi et al. D23/262
- D716,419 S * 10/2014 Hernandez et al. D23/259

OTHER PUBLICATIONS

AC6420 Plastic 4pcs Hose Connector or Set, Hose connectors, Garden and Agricultures, omenco.com, Searched Nov. 5, 2014, http://www.omenco.com/ac6420_plastic_4pcs_hose_connector_or_set.html.*

Hozelock Hose Nozzle , Hoses and Watering, waterirrigation.co.uk, Searched Nov. 5, 2014, <http://www.waterirrigation.co.uk/hozelock-hose-nozzle.html>.*

* cited by examiner

Primary Examiner — Eric Goodman

Assistant Examiner — Steven Czyz

(74) *Attorney, Agent, or Firm* — Themis Law

(57) **CLAIM**

The ornamental design for hose connector with cover, as shown and described.

DESCRIPTION

FIG. 1 is a perspective exploded view of a hose connector with cover showing my new design;

FIG. 2 is a perspective view thereof, in assembled condition;

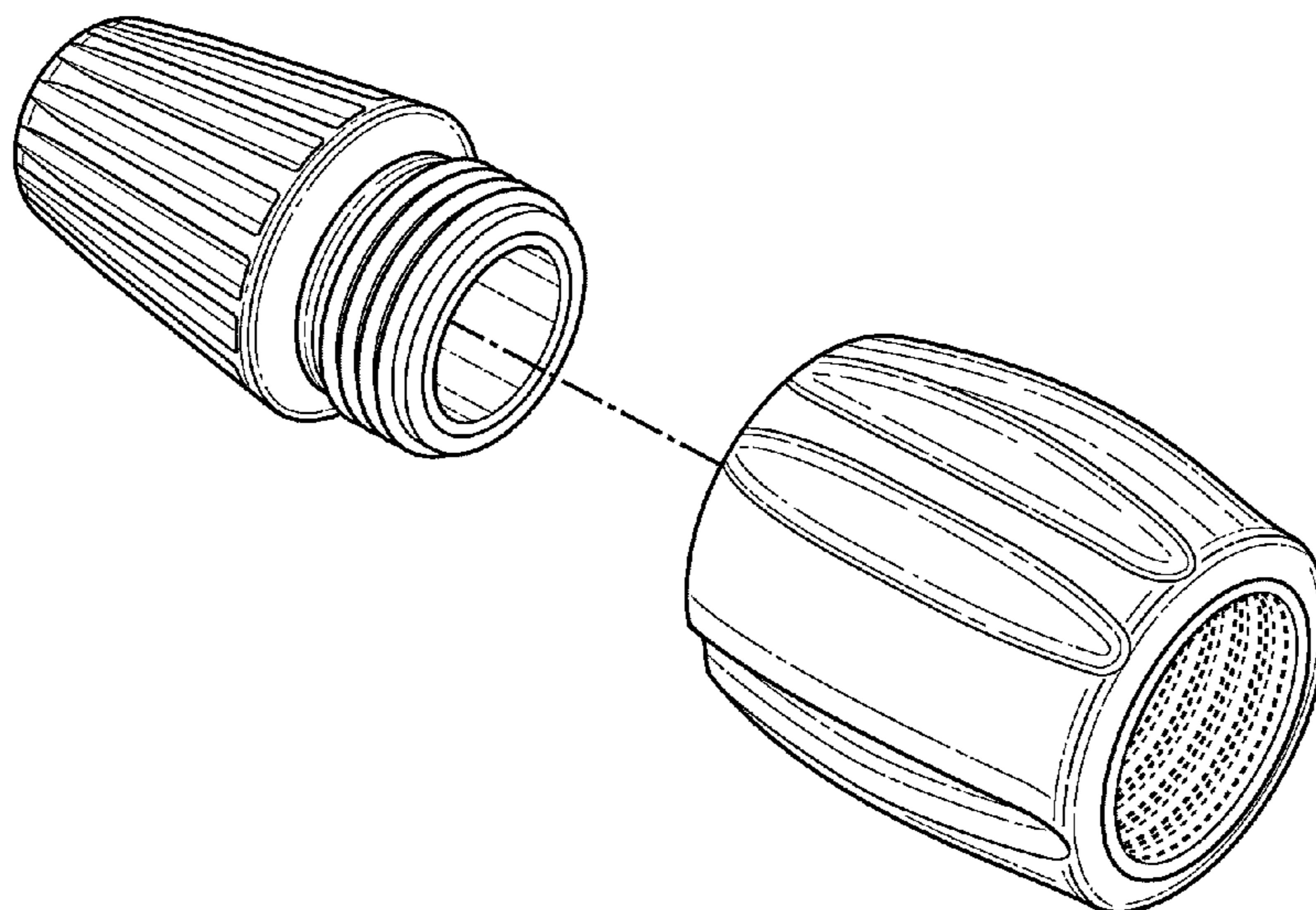
FIG. 3 is a top view thereof, in assembled condition;

FIG. 4 is a front view thereof, in assembled condition; and,

FIG. 5 is a rear view thereof, in assembled condition.

The broken line showing is included for the purpose of illustrating portions of the article and forms no part of the claimed design.

1 Claim, 3 Drawing Sheets



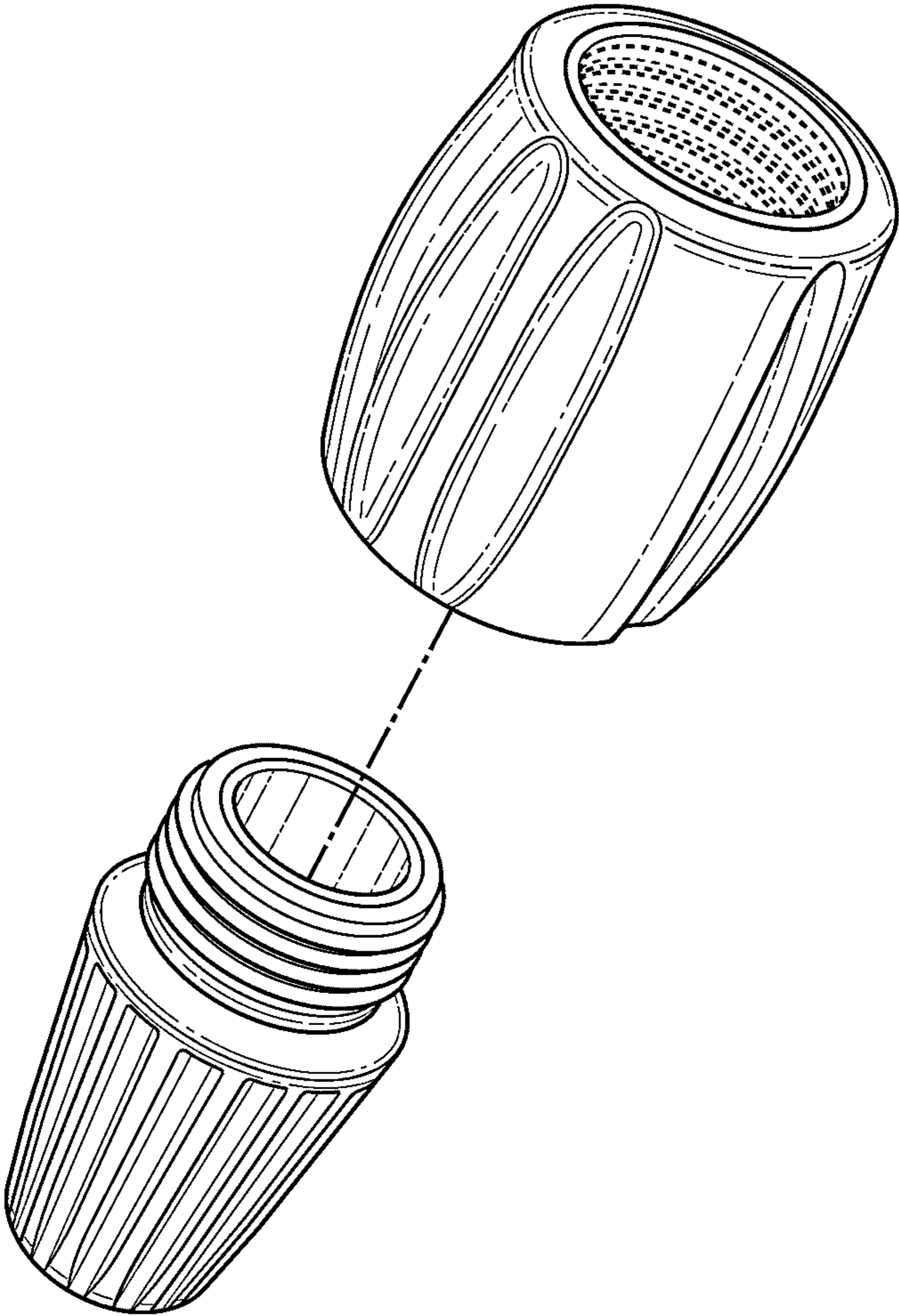


FIG. 1

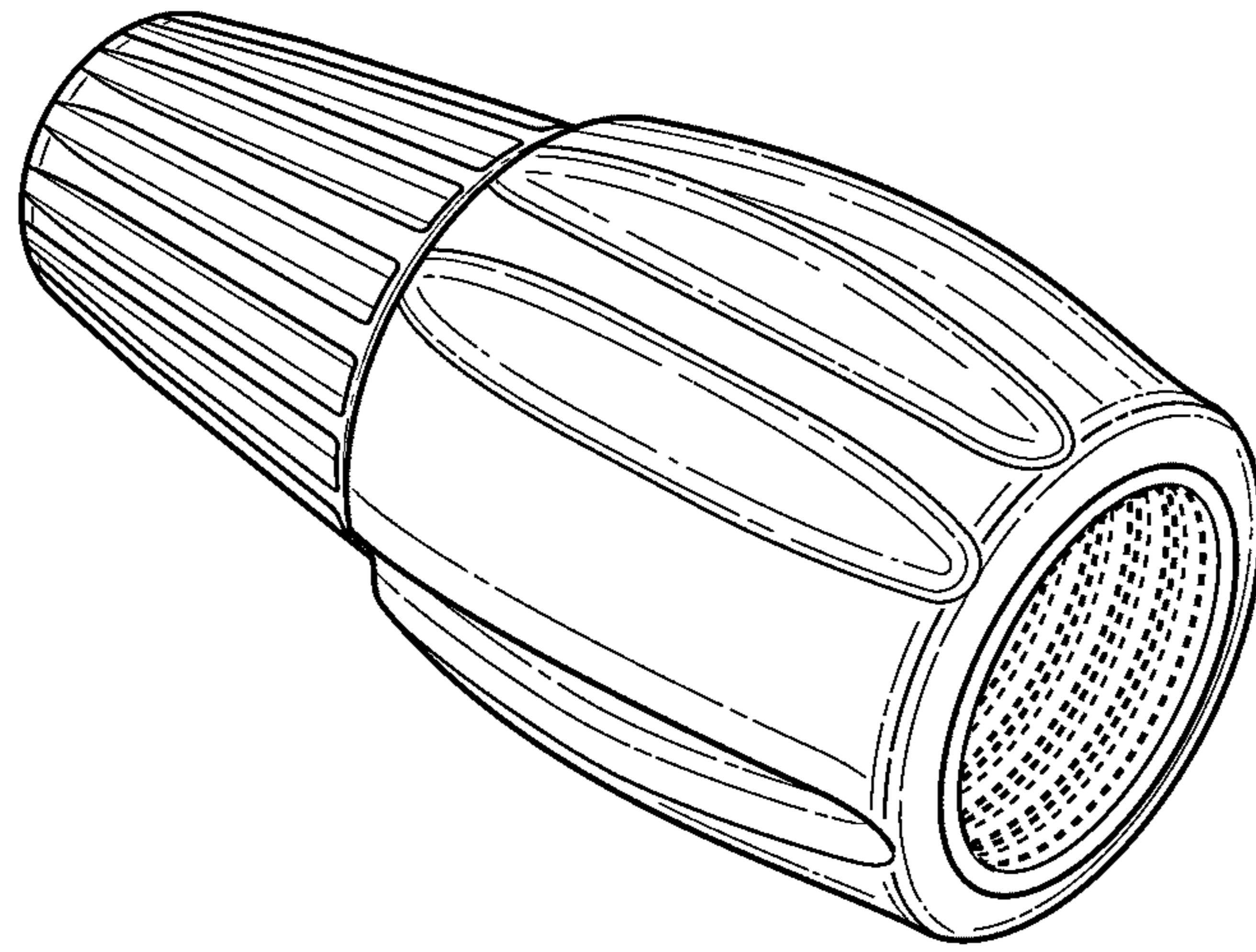


FIG. 2

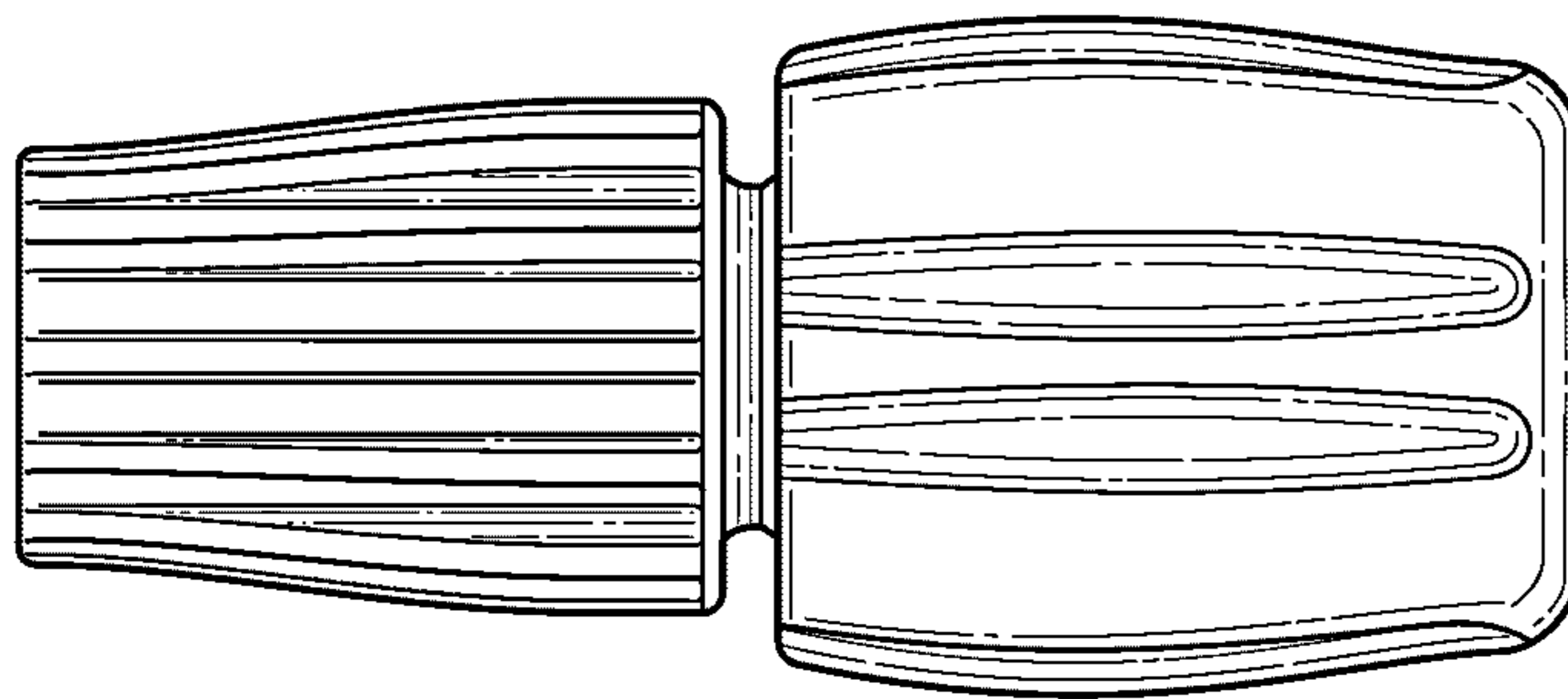


FIG. 3

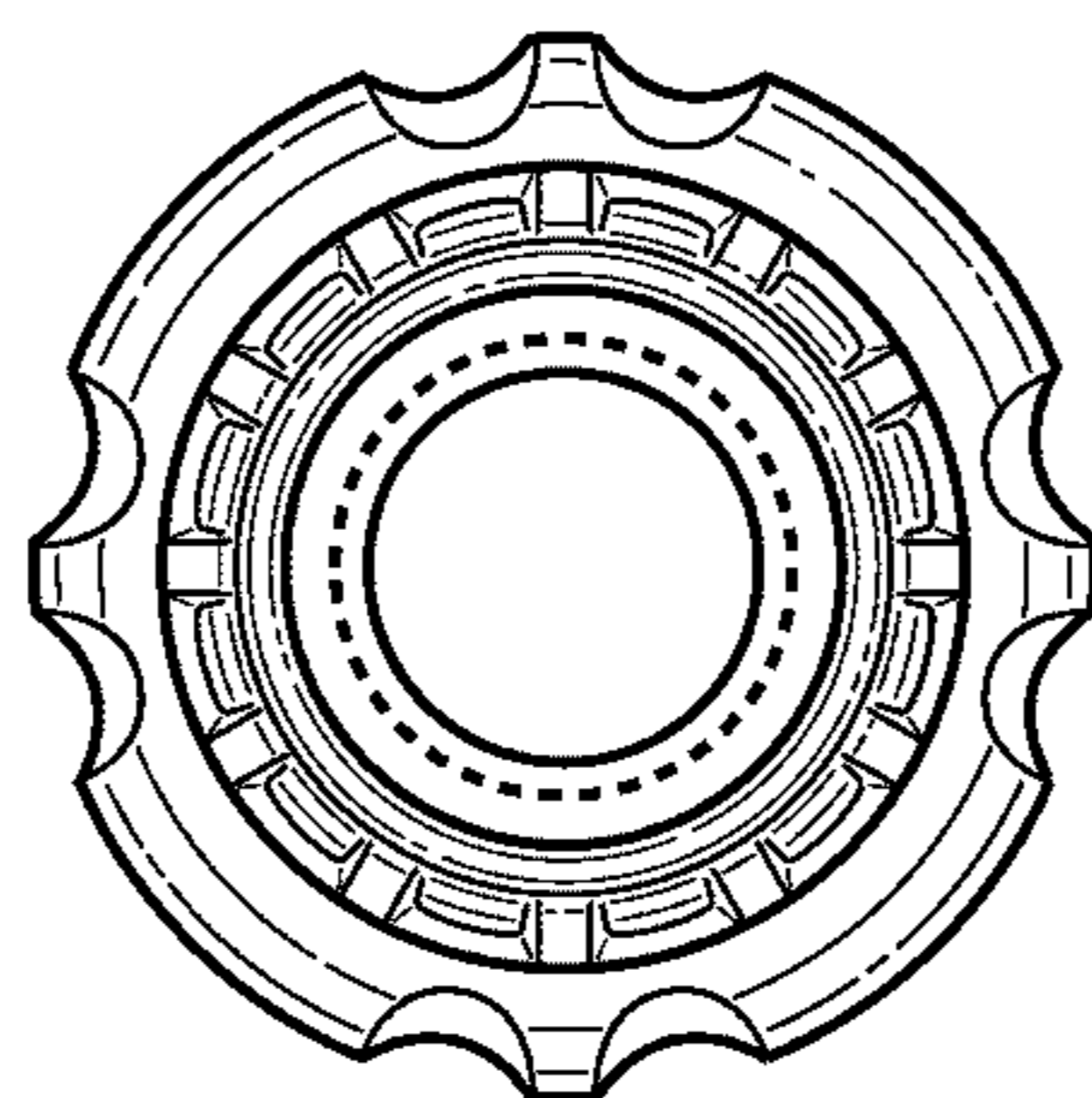


FIG. 4

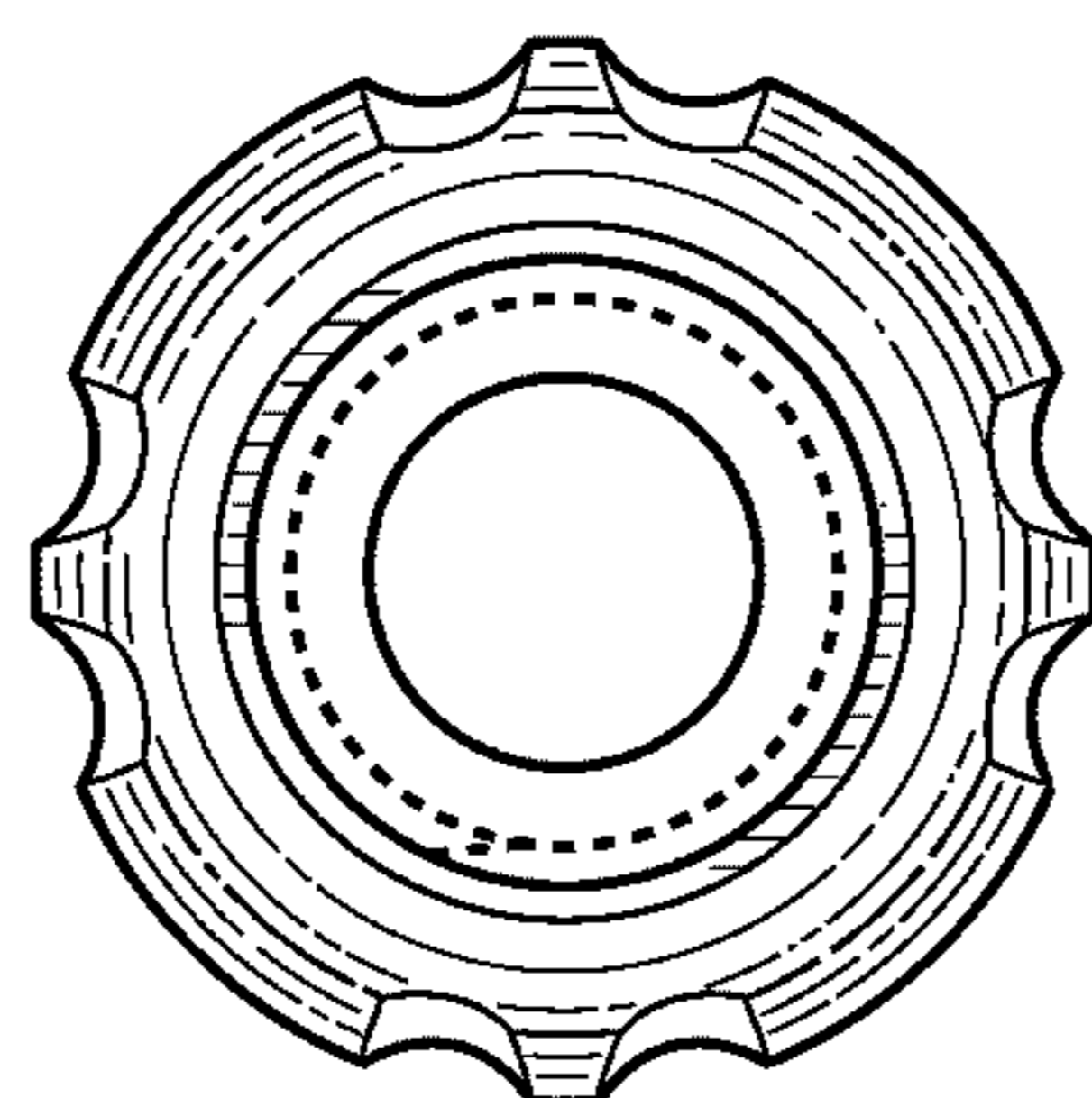


FIG. 5