



US00D725749S

(12) **United States Design Patent**
Mezzalira et al.

(10) **Patent No.:** **US D725,749 S**
(45) **Date of Patent:** **** Mar. 31, 2015**

(54) **HOSE CONNECTOR WITH COVER**

(71) Applicants: **Alessandro Mezzalira**, Sandrigo (IT);
Alberto Samperi, Sandrigo (IT)

(72) Inventors: **Alessandro Mezzalira**, Sandrigo (IT);
Alberto Samperi, Sandrigo (IT)

(73) Assignee: **Fitt S.p.A.**, Sandrigo (VI) (IT)

(**) Term: **14 Years**

(21) Appl. No.: **29/491,783**

(22) Filed: **May 23, 2014**

(51) **LOC (10) Cl.** **23-01**

(52) **U.S. Cl.**
USPC **D23/259**

(58) **Field of Classification Search**
None
See application file for complete search history.

(56) **References Cited**

U.S. PATENT DOCUMENTS

2,993,655	A	*	7/1961	O'Brien	239/582.1
D326,322	S	*	5/1992	Clegg et al.	D24/130
D369,409	S	*	4/1996	Salter	D24/129
D391,349	S	*	2/1998	Chih	D23/229
D413,962	S	*	9/1999	Hui-Chen	D23/213
D414,244	S	*	9/1999	Hui-Chen	D23/213
D415,554	S	*	10/1999	Hui-Chen	D23/213
D424,165	S	*	5/2000	Guo	D23/229
D501,913	S	*	2/2005	Chen	D23/213
D570,953	S	*	6/2008	Patterson et al.	D23/213
D575,377	S	*	8/2008	Roman	D23/259
D634,087	S	*	3/2011	Sgroi et al.	D32/40

D639,915	S	*	6/2011	Barton	D23/262
D645,547	S	*	9/2011	Lombardi et al.	D23/262
D716,419	S	*	10/2014	Hernandez et al.	D23/259

OTHER PUBLICATIONS

AC6420 Plastic 4pcs Hose Connector or Set, Hose connectors, Garden and Agricultures, omenco.com, Searched Nov. 5, 2014, http://www.omenco.com/ac6420_plastic_4pcs_hose_connector_or_set.html.*

Hozelock Hose Nozzle, Hoses and Watering, waterirrigation.co.uk, Searched Nov. 5, 2014, <http://www.waterirrigation.co.uk/hozelock-hose-nozzle.html>.*

* cited by examiner

Primary Examiner — Eric Goodman

Assistant Examiner — Steven Czyz

(74) *Attorney, Agent, or Firm* — Themis Law

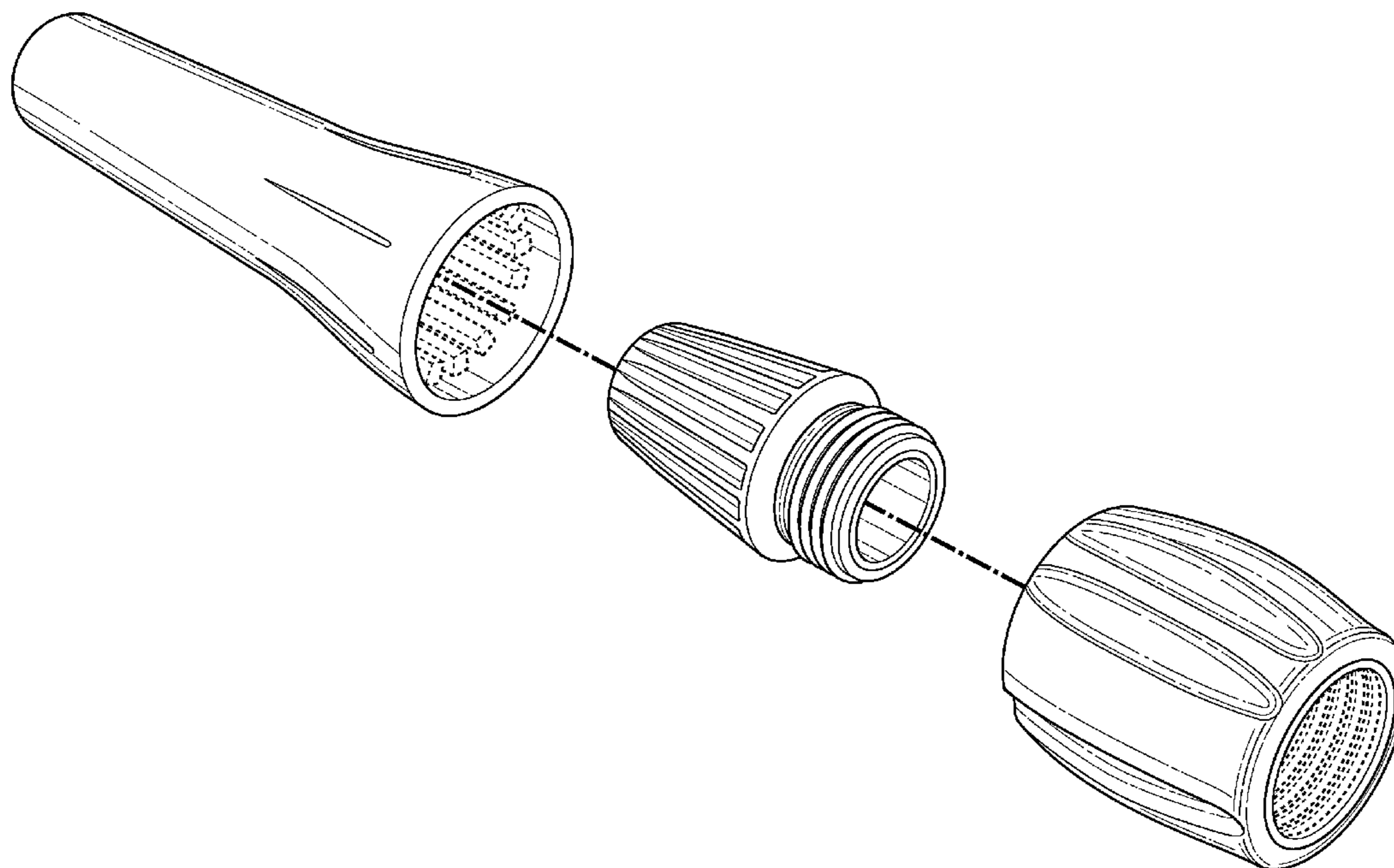
(57) **CLAIM**

The ornamental design for hose connector with cover, as shown and described.

DESCRIPTION

FIG. 1 is a perspective exploded view of a hose connector with cover showing my new design; FIG. 2 is a perspective view thereof, in assembled condition; FIG. 3 is a top view thereof, in assembled condition; FIG. 4 is a bottom view thereof, in assembled condition; FIG. 5 is a front view thereof, in assembled condition; and, FIG. 6 is a rear view thereof, in assembled condition. The broken line showing is included for the purpose of illustrating portions of the article and forms no part of the claimed design.

1 Claim, 3 Drawing Sheets



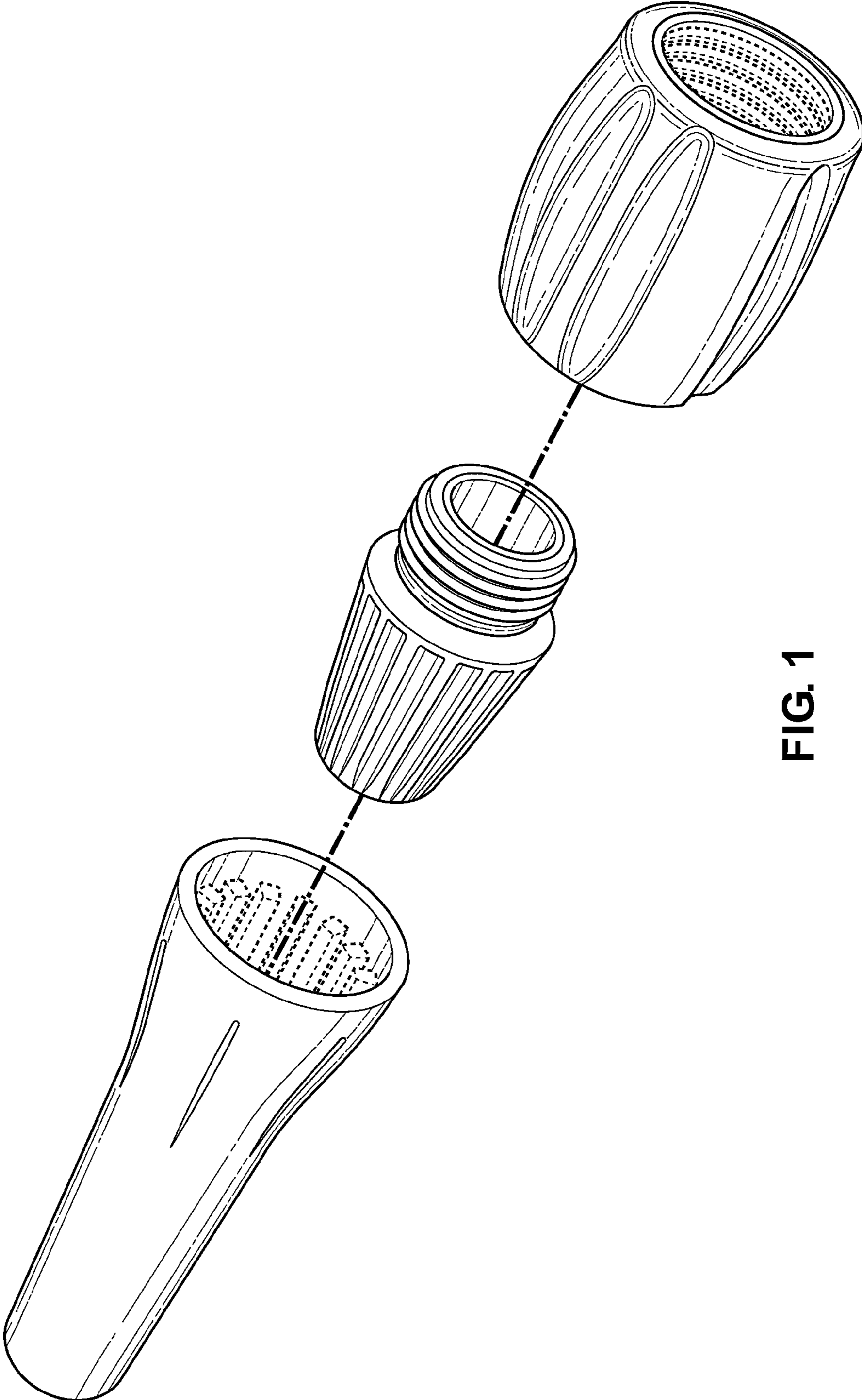


FIG. 1

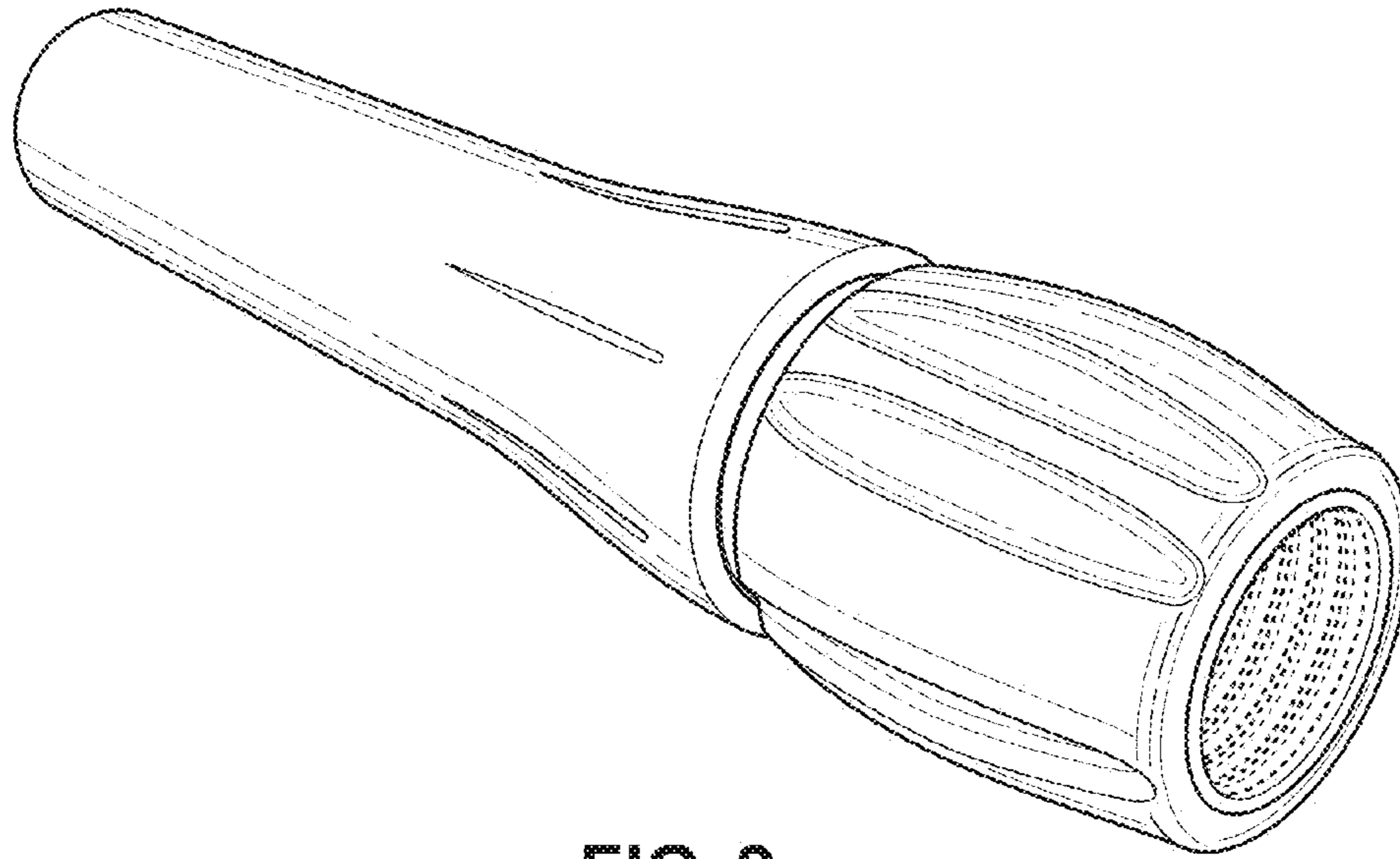


FIG. 2

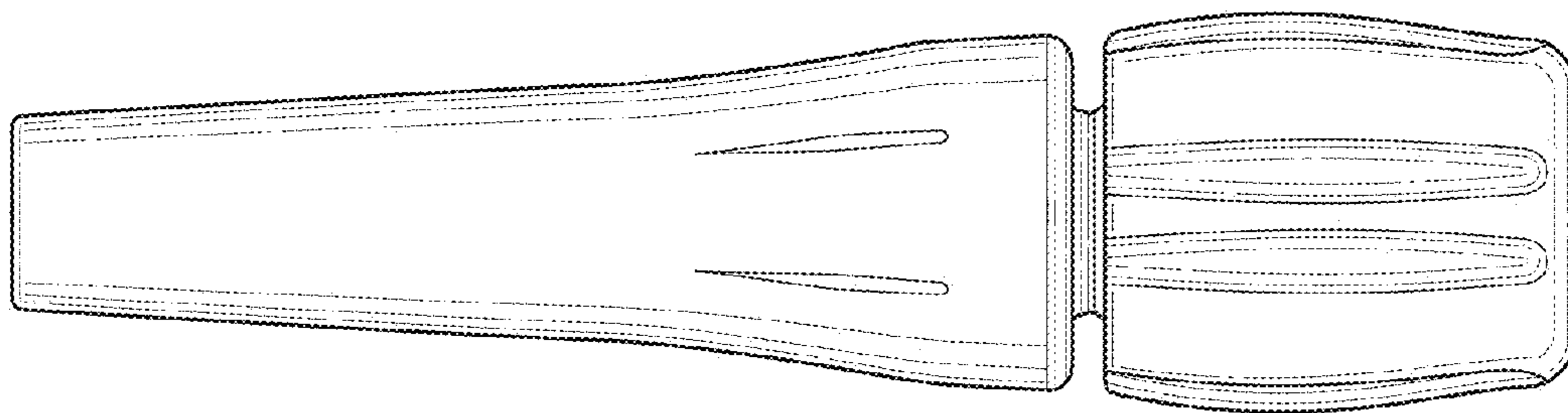


FIG. 3

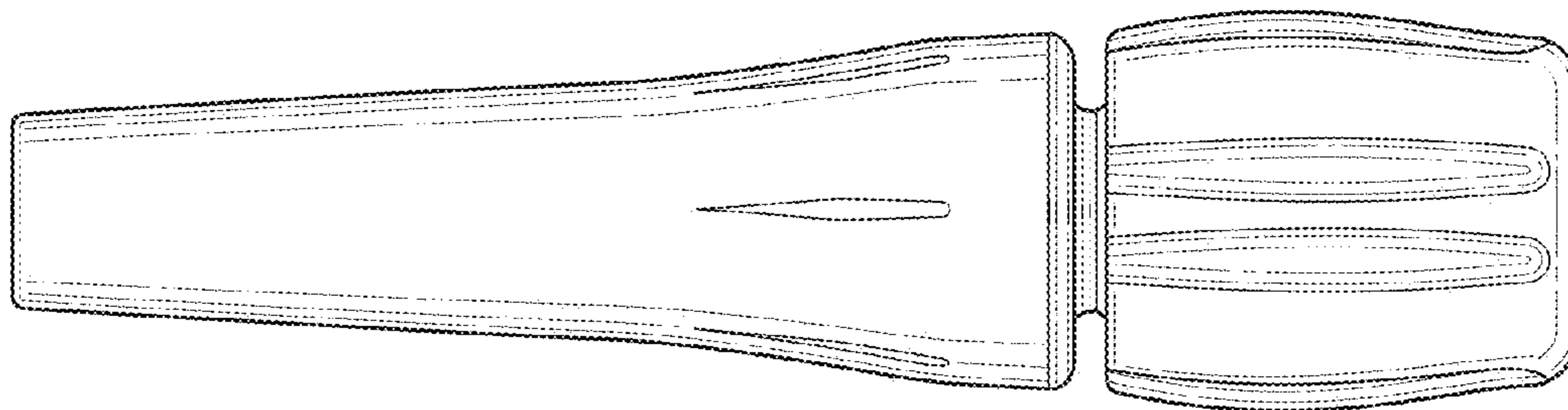


FIG. 4

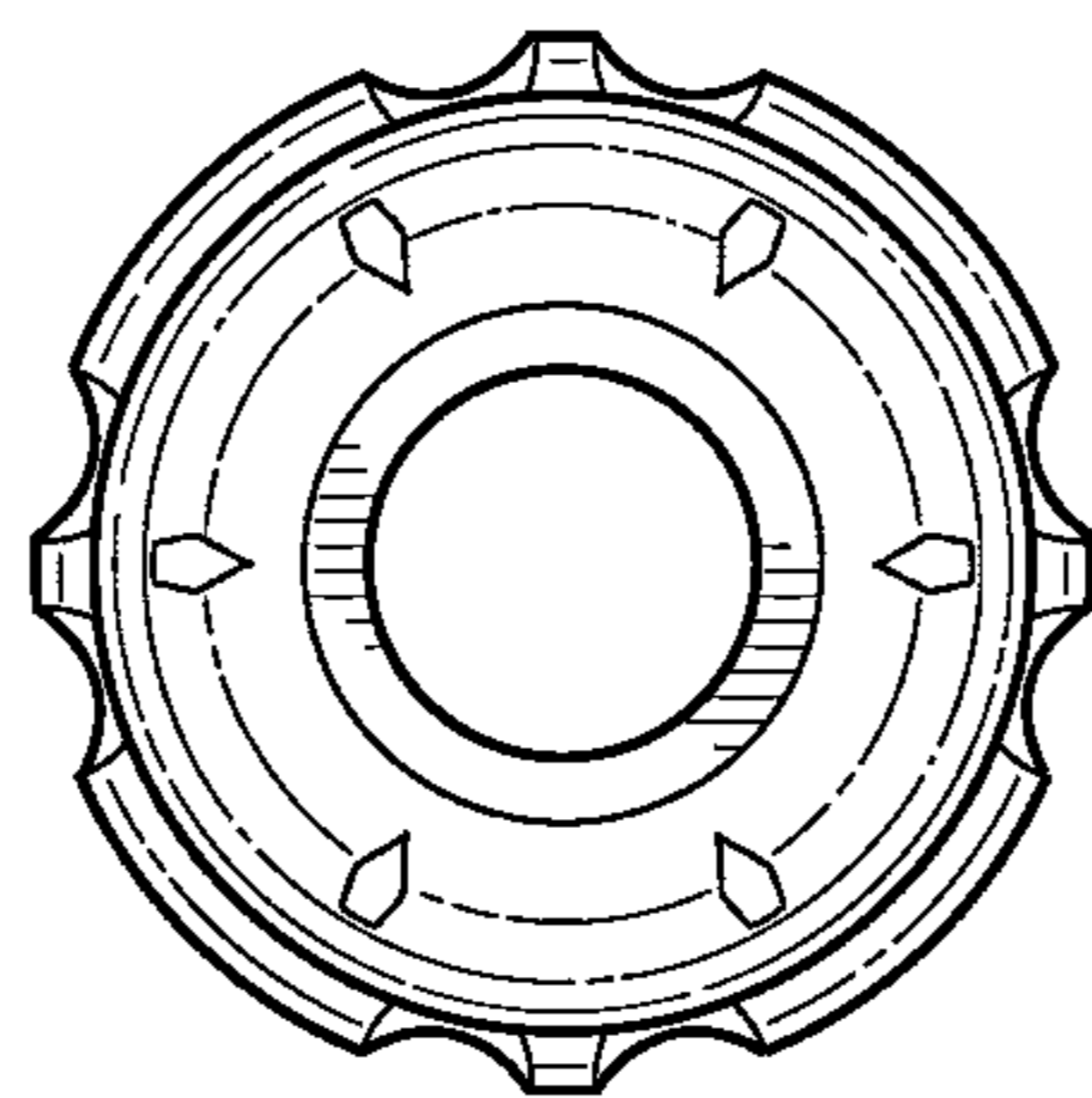


FIG. 5

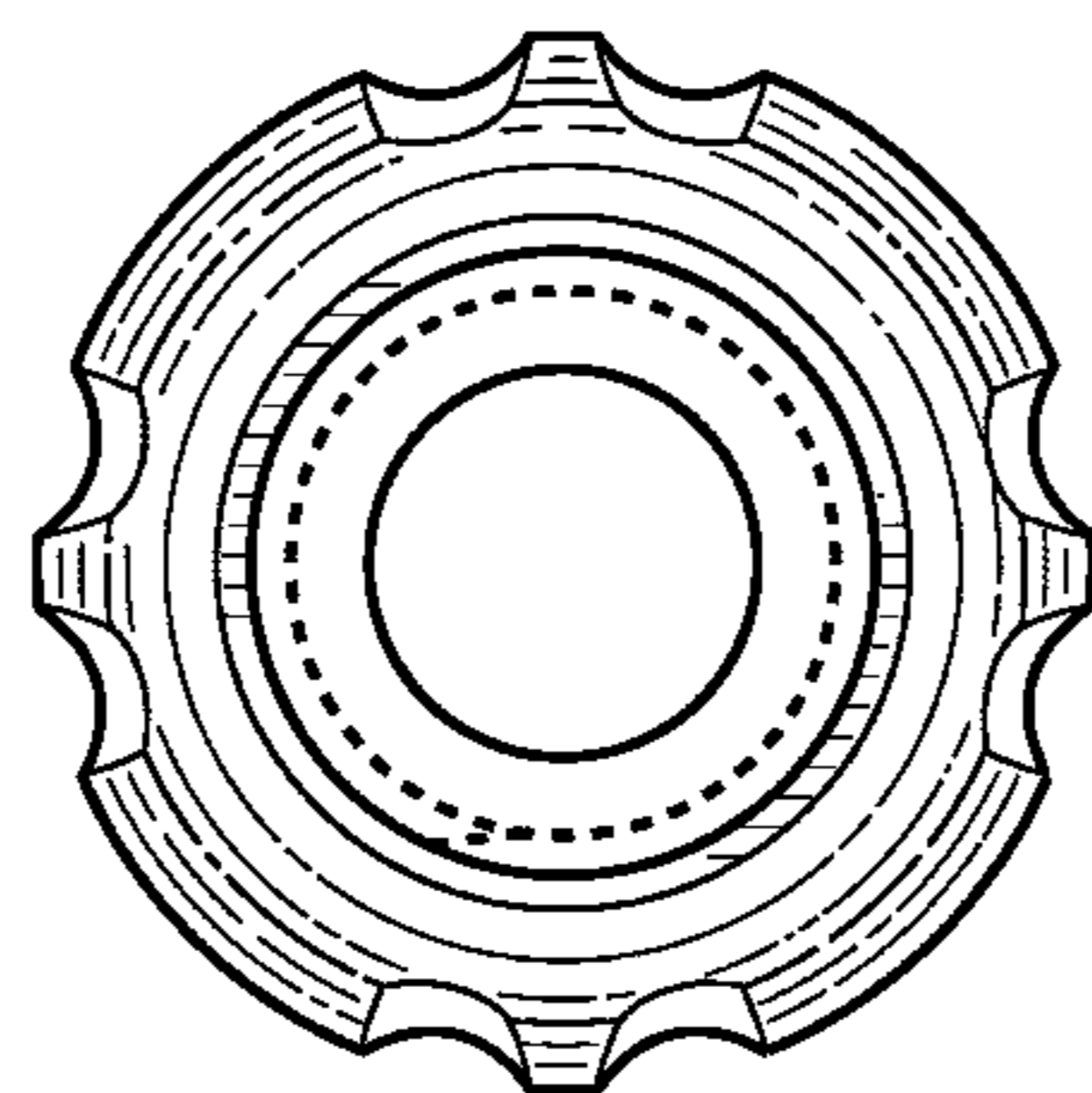


FIG. 6