



US00D725748S

(12) **United States Design Patent**  
**Lake**

(10) **Patent No.:** **US D725,748 S**  
(45) **Date of Patent:** **\*\* Mar. 31, 2015**

(54) **HOSE BRIDGE SEGMENT**

(71) Applicant: **Western Oilfields Supply Company**,  
Bakersfield, CA (US)

(72) Inventor: **John W. Lake**, Bakersfield, CA (US)

(73) Assignee: **Western Oilfields Supply Company**,  
Bakersfield, CA (US)

(\*\*) Term: **14 Years**

(21) Appl. No.: **29/489,810**

(22) Filed: **May 2, 2014**

(51) **LOC (10) Cl.** ..... **23-01**

(52) **U.S. Cl.**  
USPC ..... **D23/259**

(58) **Field of Classification Search**  
USPC ..... D23/259–268; D34/32; D8/354, 396;  
14/69.5, 71.1, 71.5; 404/15, 39, 56–58  
See application file for complete search history.

(56) **References Cited**

**U.S. PATENT DOCUMENTS**

|              |    |   |         |                  |       |         |
|--------------|----|---|---------|------------------|-------|---------|
| D205,277     | S  | * | 7/1966  | Gilchrist et al. | ..... | D23/269 |
| D232,020     | S  | * | 7/1974  | Borsuk et al.    | ..... | D34/32  |
| D267,776     | S  | * | 2/1983  | Holgerson et al. | ..... | D8/396  |
| D351,710     | S  | * | 10/1994 | Richardson       | ..... | D34/32  |
| D370,717     | S  | * | 6/1996  | Ziaylek et al.   | ..... | D23/266 |
| D385,774     | S  | * | 11/1997 | Fraquelli        | ..... | D8/354  |
| D388,927     | S  | * | 1/1998  | Morgan           | ..... | D34/32  |
| 6,067,681    | A  | * | 5/2000  | Zeinstra et al.  | ..... | 14/69.5 |
| 6,287,047    | B1 | * | 9/2001  | Dufresne         | ..... | 404/15  |
| D469,519     | S  | * | 1/2003  | Garza, Jr.       | ..... | D23/259 |
| D552,217     | S  | * | 10/2007 | Norton et al.    | ..... | D23/259 |
| D567,913     | S  | * | 4/2008  | Norton et al.    | ..... | D23/259 |
| D637,375     | S  | * | 5/2011  | Haren            | ..... | D34/32  |
| D663,092     | S  | * | 7/2012  | Blocker          | ..... | D34/32  |
| D671,623     | S  | * | 11/2012 | Lin              | ..... | D23/266 |
| D673,658     | S  | * | 1/2013  | Dufresne         | ..... | D23/266 |
| D678,647     | S  | * | 3/2013  | Parras           | ..... | D34/32  |
| D705,514     | S  | * | 5/2014  | Tai              | ..... | D34/32  |
| D706,513     | S  | * | 6/2014  | LaBarbera et al. | ..... | D34/32  |
| 2003/0194269 | A1 | * | 10/2003 | Garza            | ..... | 404/2   |
| 2010/0282352 | A1 | * | 11/2010 | Maue et al.      | ..... | 138/104 |

**OTHER PUBLICATIONS**

Hose Bridge-Closeout, Closeout Deals, Catalog, heimanfireequipment.com, Searched Oct. 16, 2014, [https://www.heimanfireequipment.com/product\\_info.php?cPath=61&products\\_id=1316&osCsid=a1f1ef5606b5d3a9eb31020da1cc6106](https://www.heimanfireequipment.com/product_info.php?cPath=61&products_id=1316&osCsid=a1f1ef5606b5d3a9eb31020da1cc6106).\*

\* cited by examiner

*Primary Examiner* — Eric Goodman

*Assistant Examiner* — Steven Czyz

(74) *Attorney, Agent, or Firm* — Holland & Knight LLP;  
Richard E. Lyon, Jr.

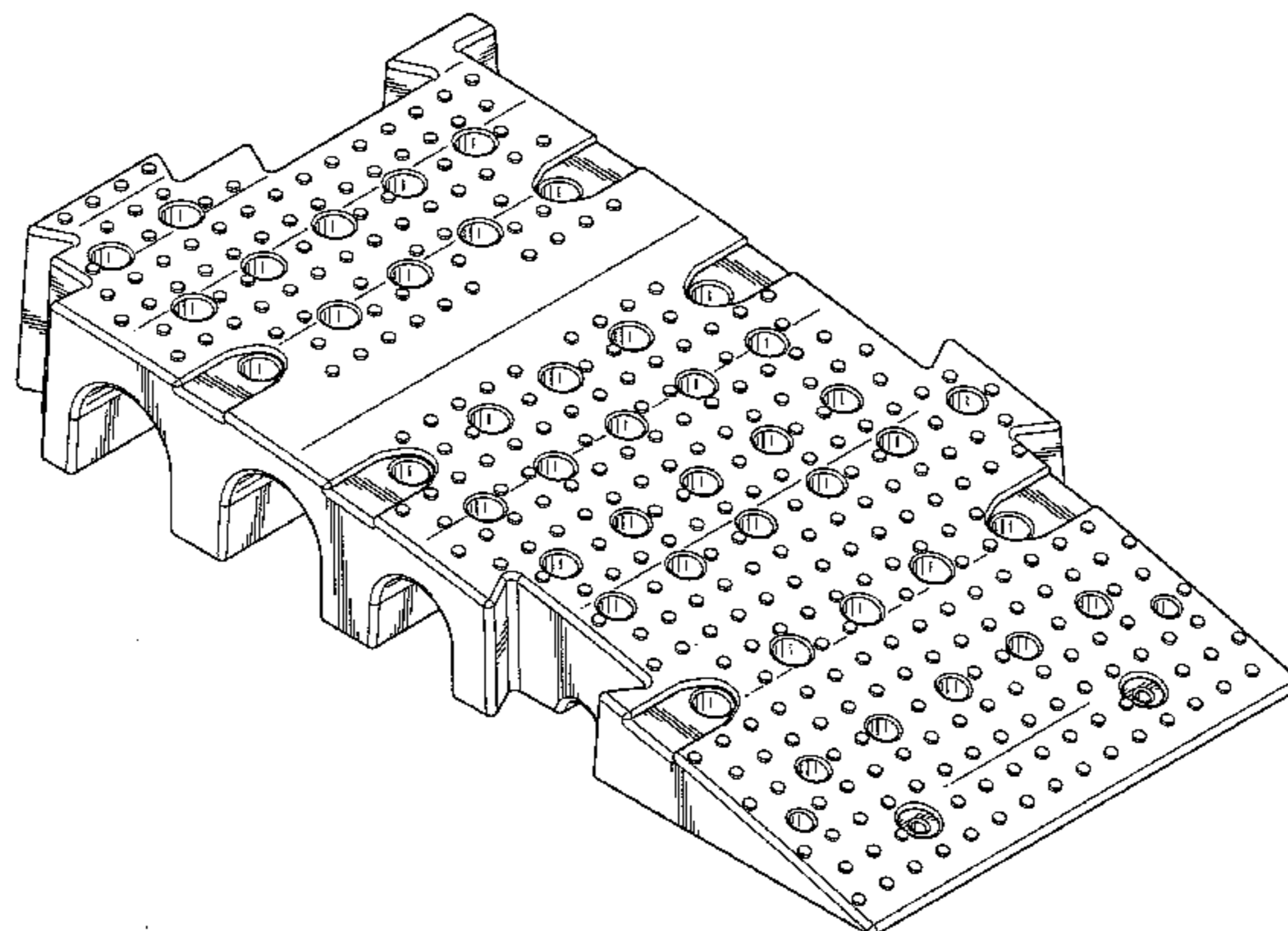
(57) **CLAIM**

The ornamental design for a hose bridge segment, as shown and described.

**DESCRIPTION**

FIG. 1 is a perspective view of the hose bridge segment showing the new design;  
FIG. 2 is a front elevational view thereof;  
FIG. 3 is a rear elevational view thereof;  
FIG. 4 is a left side elevational view thereof;  
FIG. 5 is a right side elevational view thereof;  
FIG. 6 is a top plan view thereof;  
FIG. 7 is a bottom plan view thereof;  
FIG. 8 is a perspective view showing the underside thereof;  
FIG. 9 is a perspective view thereof showing the segment coupled in an end to end secured relationship with an identical hose bridge segment, the identical segment being illustrated in broken lines to show the environment of the section of the present invention and forms no part of the claimed design; and,  
FIG. 10 is a perspective view thereof showing the hose bridge segment coupled in end to end and lateral secured relationships with identical hose bridge segments, the identical segments being illustrated in broken lines to show an alternate environment of the section of the present invention and form no part of the claimed design.

**1 Claim, 7 Drawing Sheets**



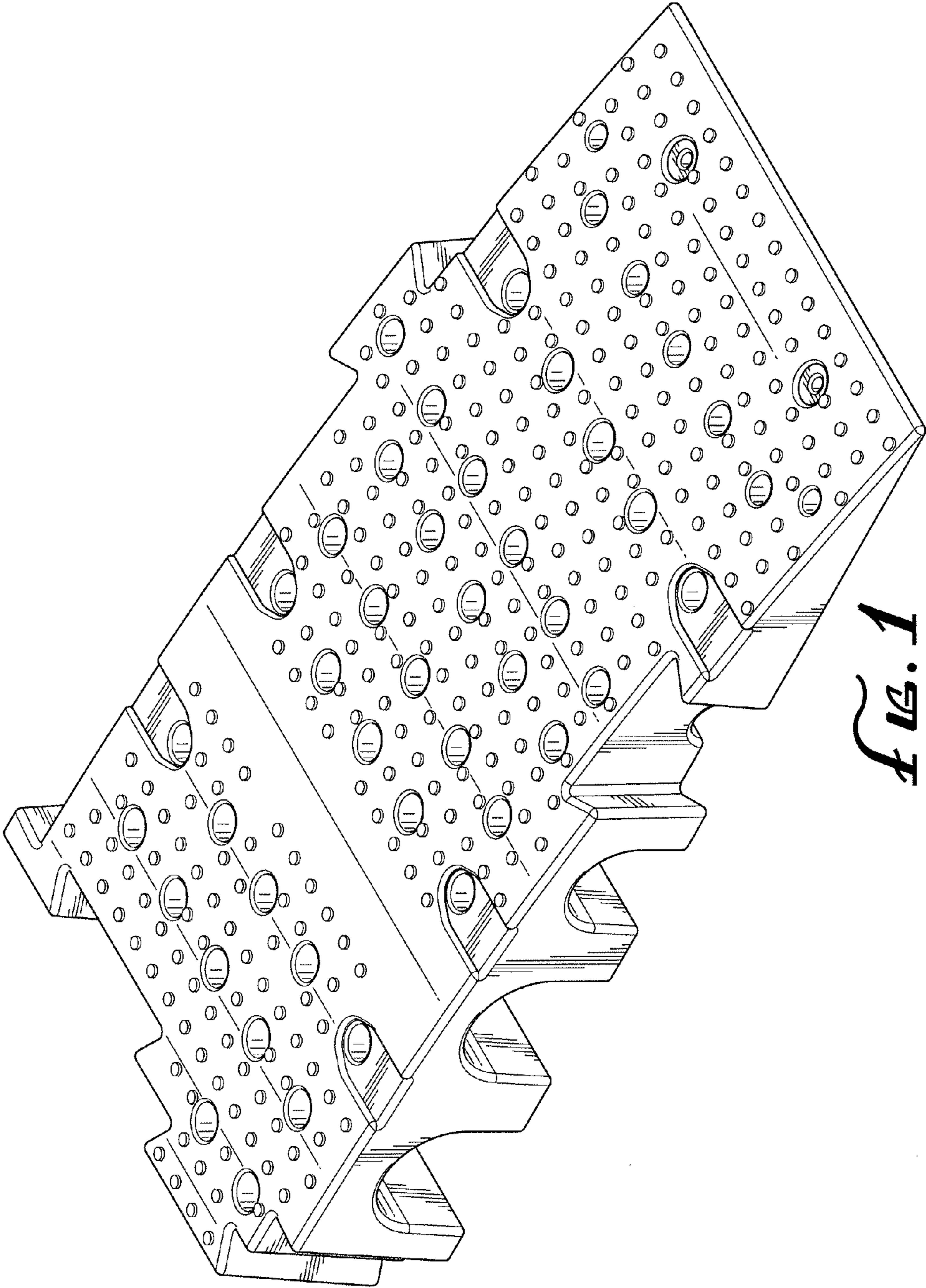


FIG. 1



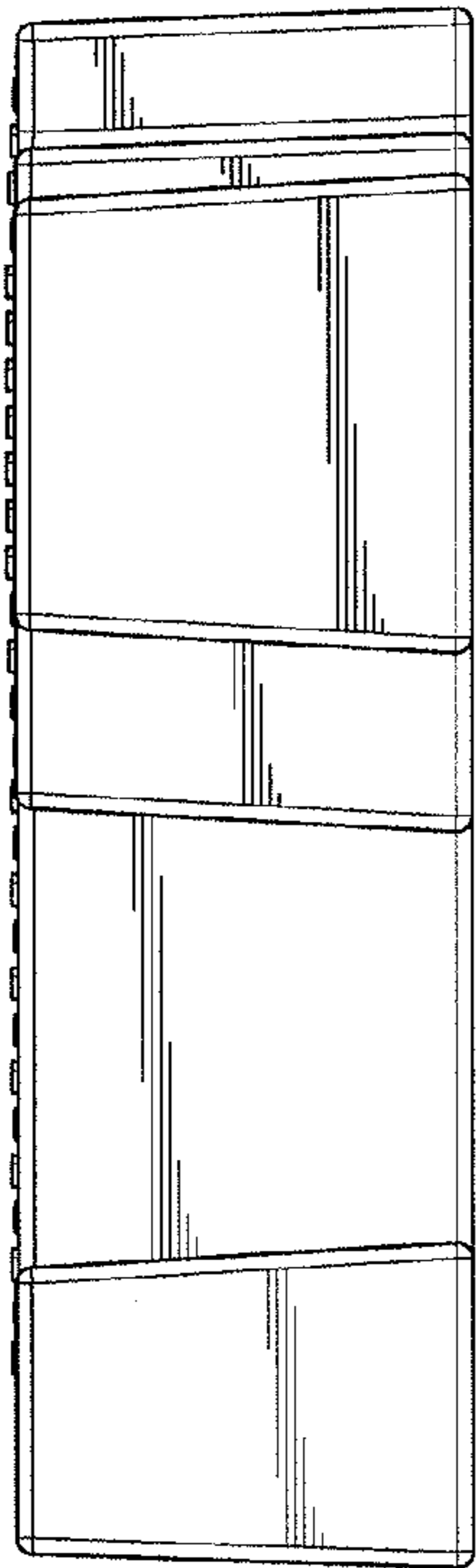


Fig. 3

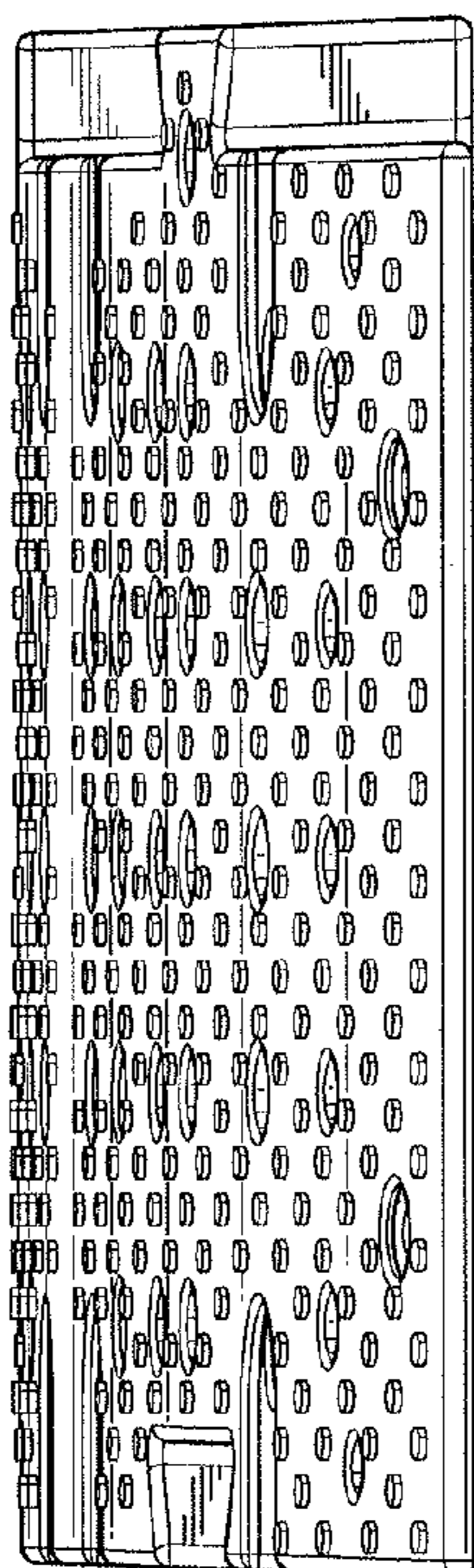


Fig. 2

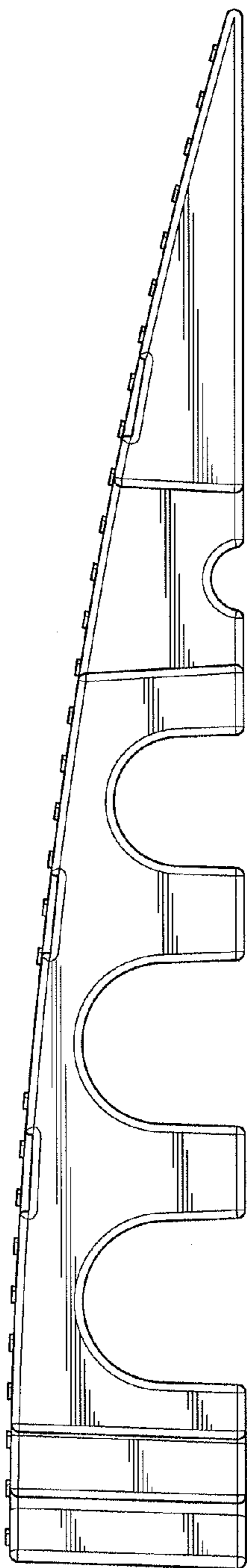


Fig. 4

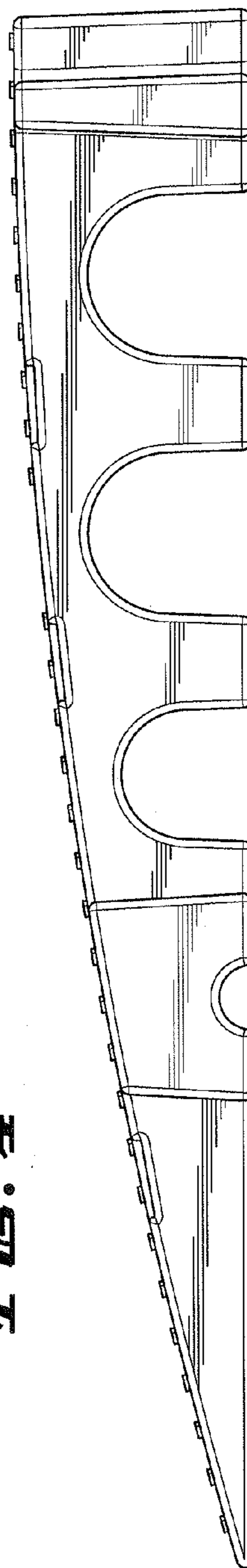


Fig. 5

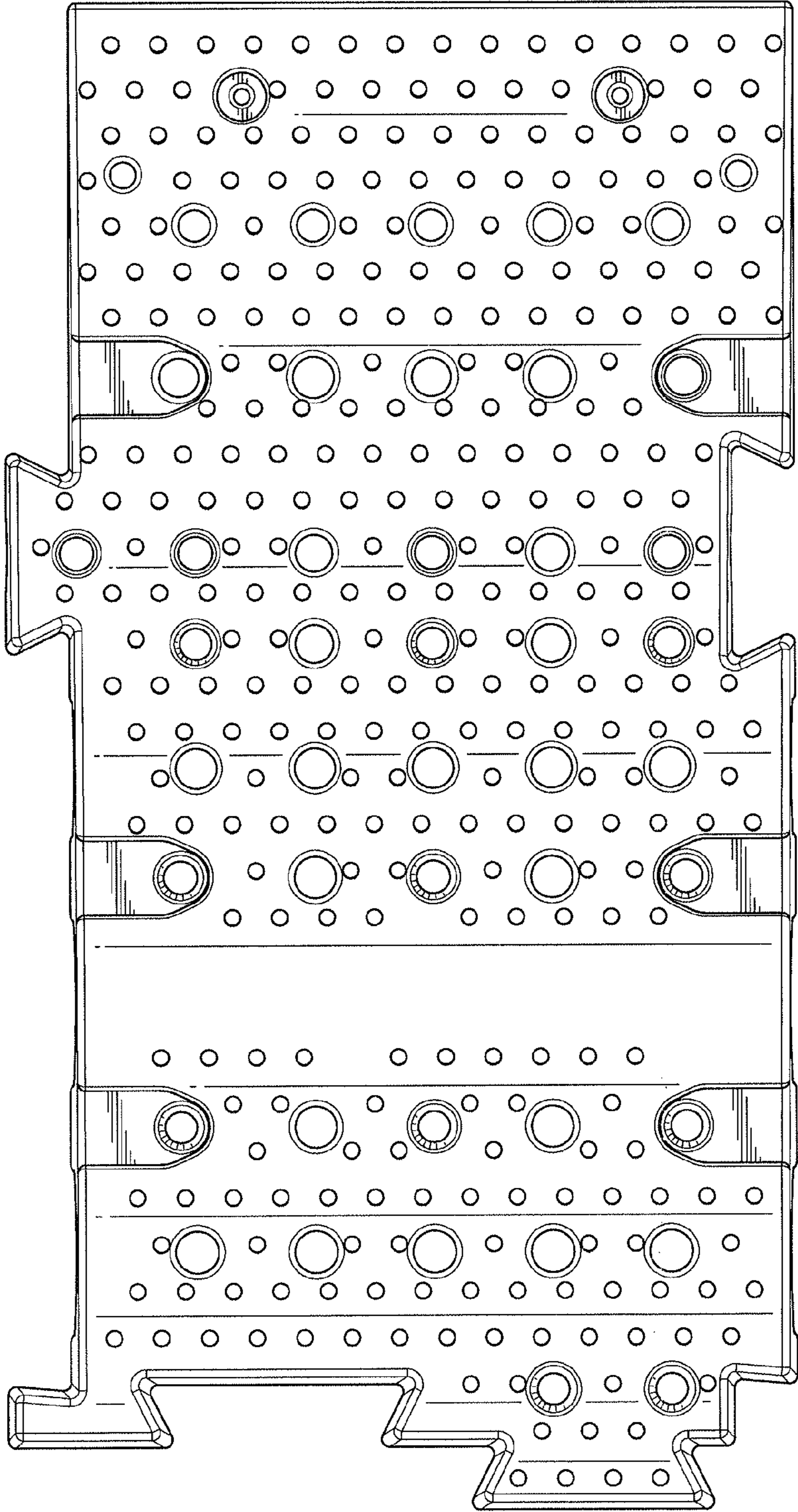


FIG. 10

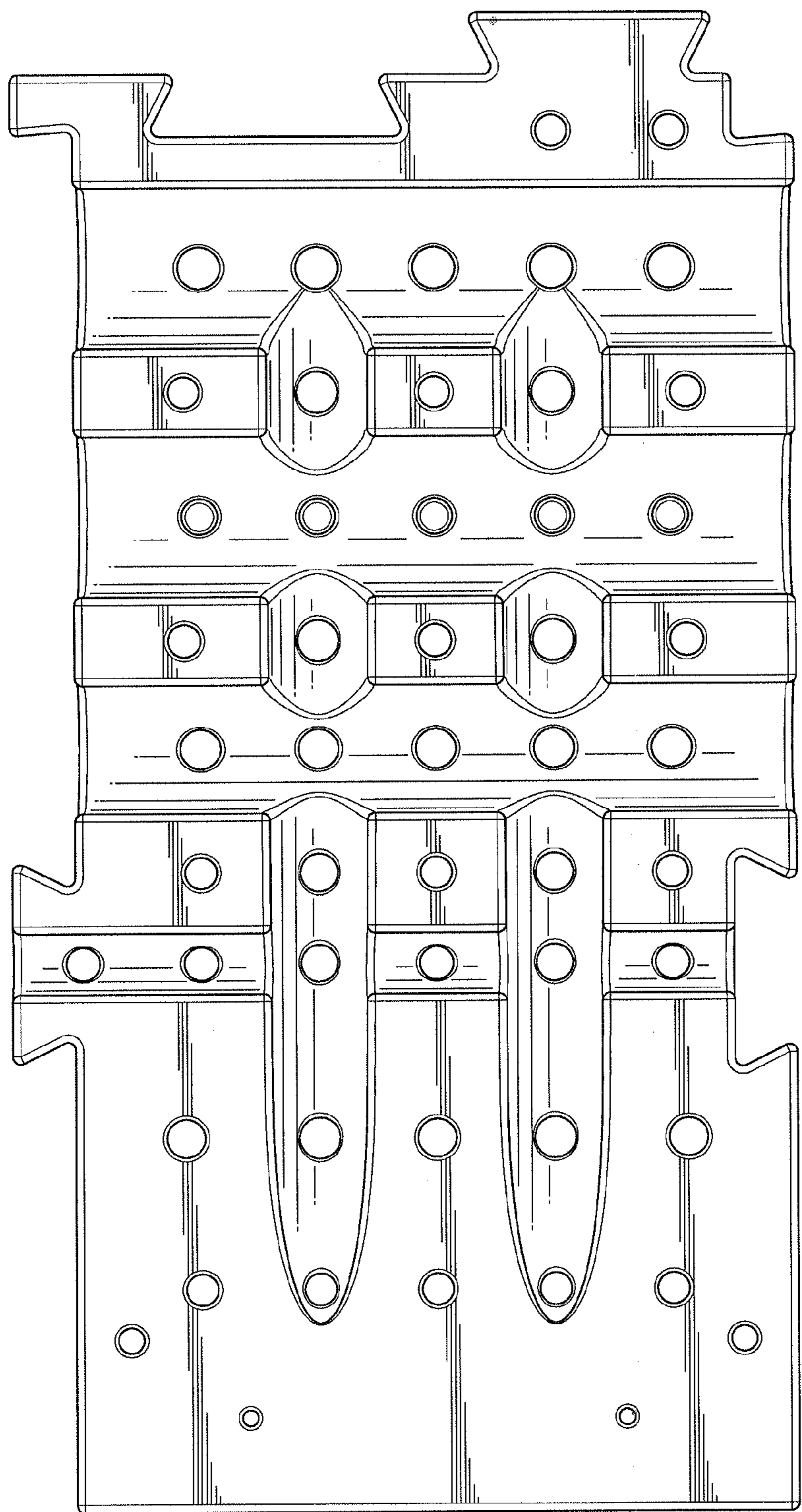


Fig. 7



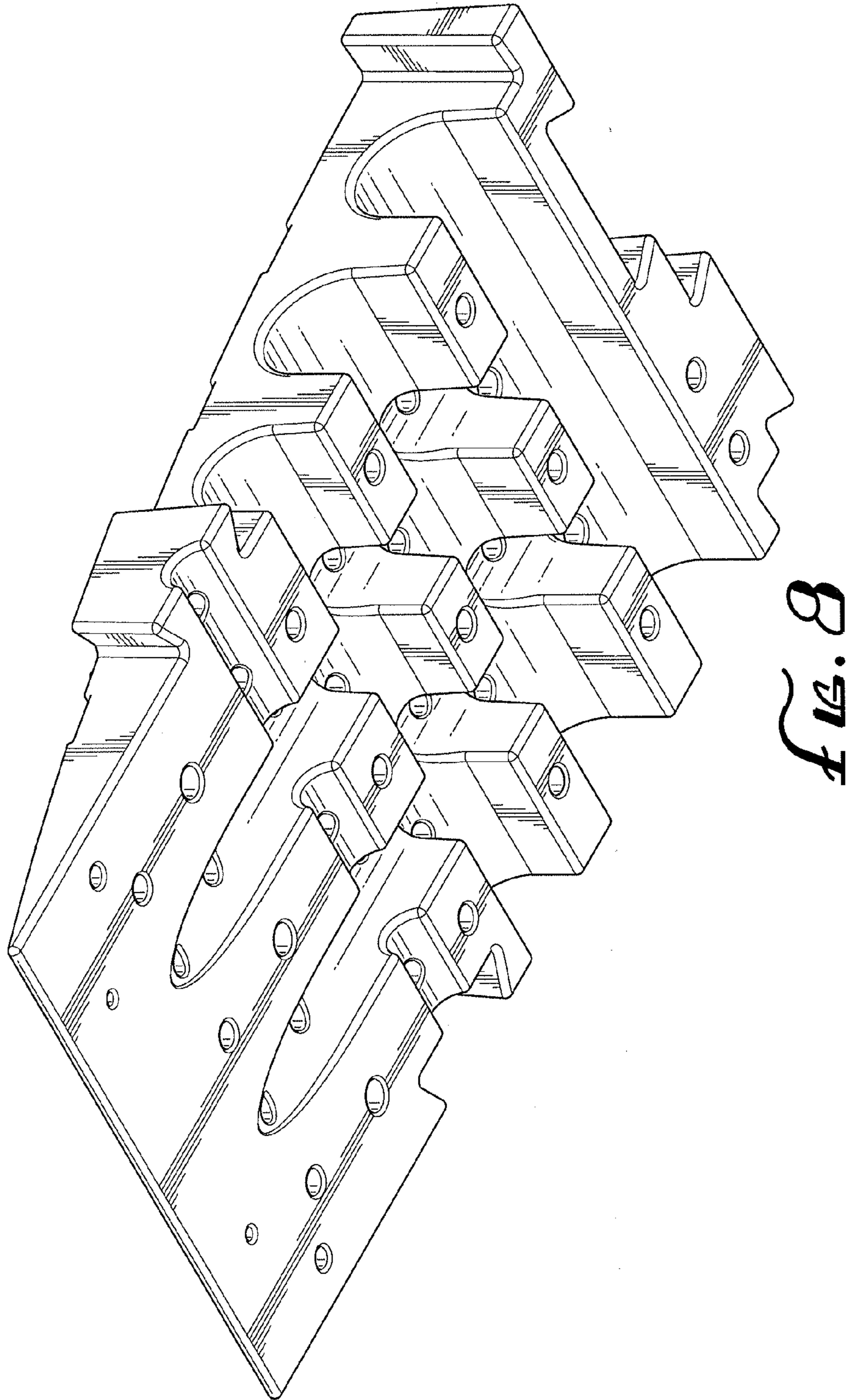


Fig. 8

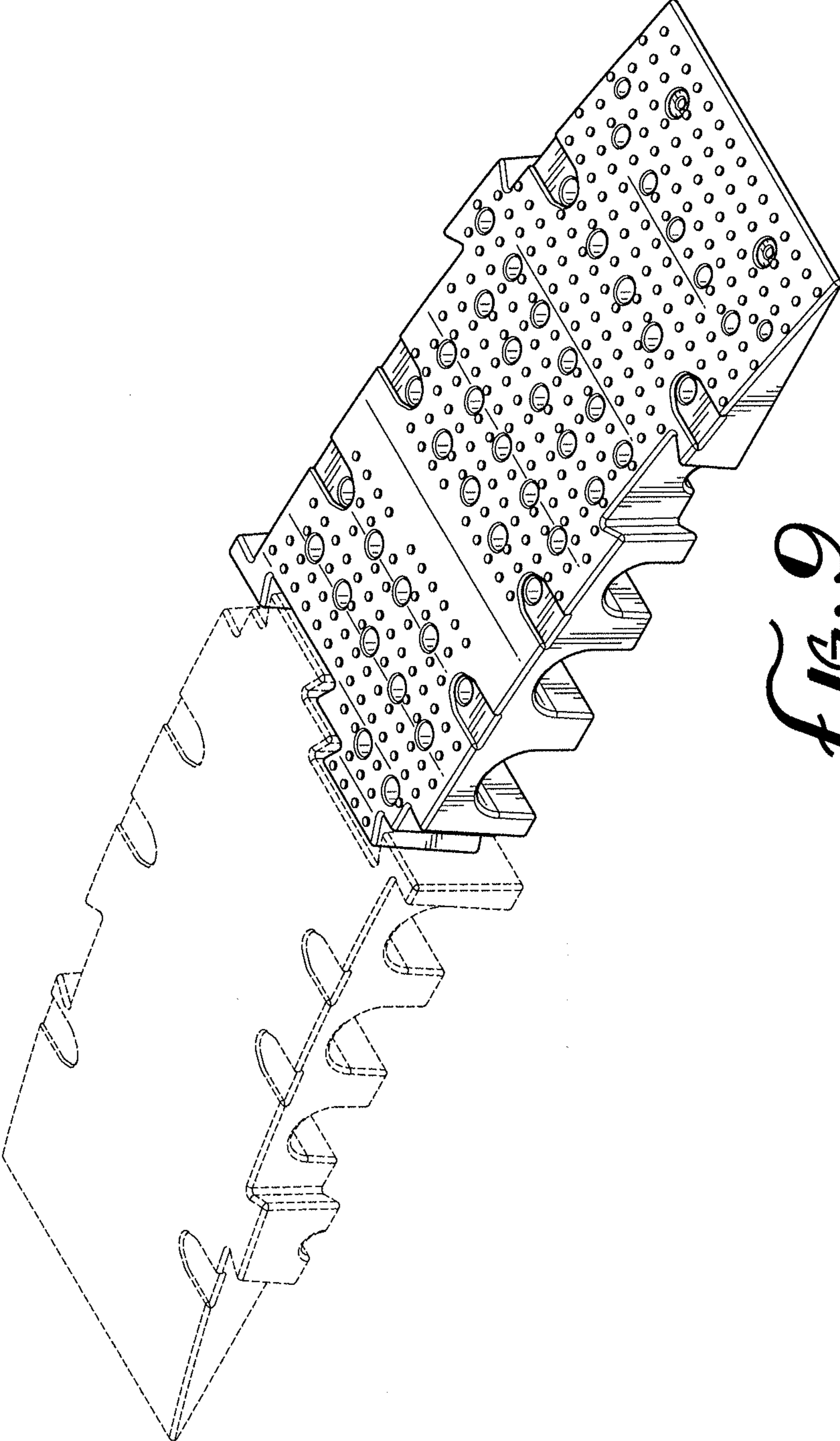
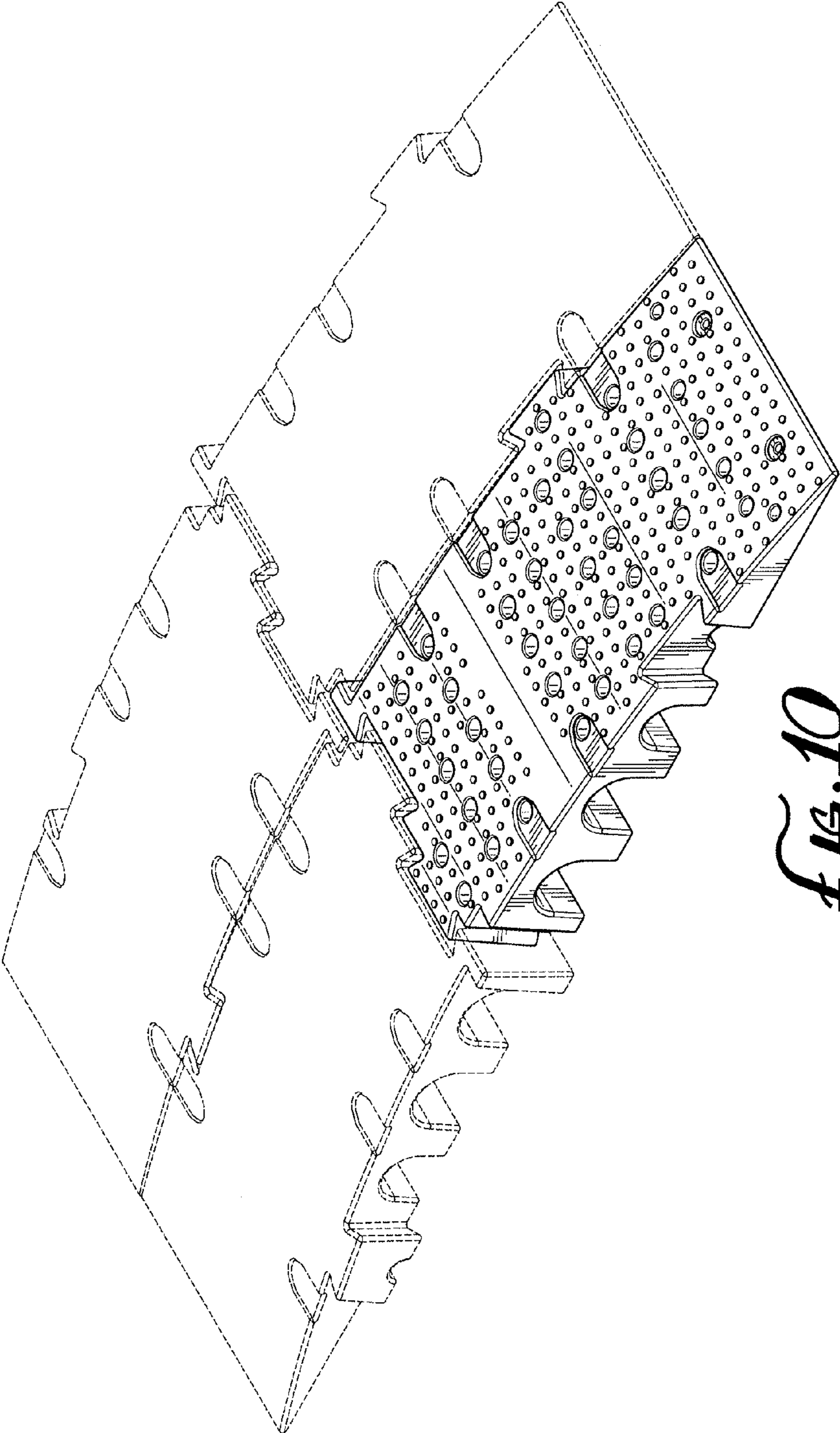


FIG. 6



*FIG. 10*