



US00D725746S

(12) **United States Design Patent**
Cheng

(10) **Patent No.:** **US D725,746 S**
(45) **Date of Patent:** **** Mar. 31, 2015**

- (54) **COMBINED COOKWARE HANDLE WITH A VACUUM RELEASE VALVE**
- (71) Applicant: **Meyer Intellectual Properties Limited**,
Kowloon (HK)
- (72) Inventor: **Stanley Kin Sui Cheng**, Hillsborough,
CA (US)
- (73) Assignee: **Meyer Intellectual Properties Limited**
(VG)
- (**) Term: **14 Years**
- (21) Appl. No.: **29/469,580**
- (22) Filed: **Oct. 11, 2013**
- (51) **LOC (10) Cl.** **23-01**
- (52) **U.S. Cl.**
USPC **D23/233**
- (58) **Field of Classification Search**
CPC A47J 45/061; A47J 45/06; A47J 45/071;
A47J 45/08; A47J 27/002; A47J 37/10;
A47J 45/068; A47J 45/07; A47J 27/212;
A47J 27/56; A47J 36/10; A47J 36/12; A47J
37/0694; A47J 45/085; A47J 45/10
USPC D23/213, 233-250; 220/367.1, 912,
220/573.1, 768, 327; 16/422
See application file for complete search history.

- 6,581,795 B1 * 6/2003 Schulein et al. 220/212.5
- 6,685,046 B2 * 2/2004 Ogino 220/367.1
- 6,789,690 B2 * 9/2004 Nieh et al. 220/231
- 7,048,136 B2 * 5/2006 Havens et al. 220/212

(Continued)

Primary Examiner — Cynthia Ramirez
Assistant Examiner — Gino Colan
(74) *Attorney, Agent, or Firm* — Edward S. Sherman

(57) **CLAIM**
The ornamental design for a combined cookware handle with a vacuum release valve, as shown and described.

DESCRIPTION

FIG. 1 is a top perspective view of the cookware handle with a vacuum release valve in which the valve is in the closed position;
FIG. 2 is another top perspective view of the cookware handle with a vacuum release valve in which the valve is in open position;
FIG. 3 is a top plan view thereof;
FIG. 4 is a bottom plan view thereof;
FIG. 5 is a cross-sectional elevation view thereof corresponding to section line 5-5 in FIG. 3;
FIG. 6 is a partial top plan view thereof isolating the release valve that forms a portion of the cookware handle;
FIG. 7 is a side elevation view thereof;
FIG. 8 is a cross-sectional elevation view thereof corresponding to section line 8-8 in FIG. 6; and,
FIG. 9 is a cross-sectional elevation view thereof corresponding to section line 9-9 in FIG. 6.

The broken lines shown in the figures are included for the purposes of illustrating elements of the combined cookware handle with vacuum release valve and form no part of the claimed design.

The cross-sectional elevations of FIGS. 5, 8 and 9 illustrate the external shape of the claimed portions of the design shown in the external elevation and plan views.

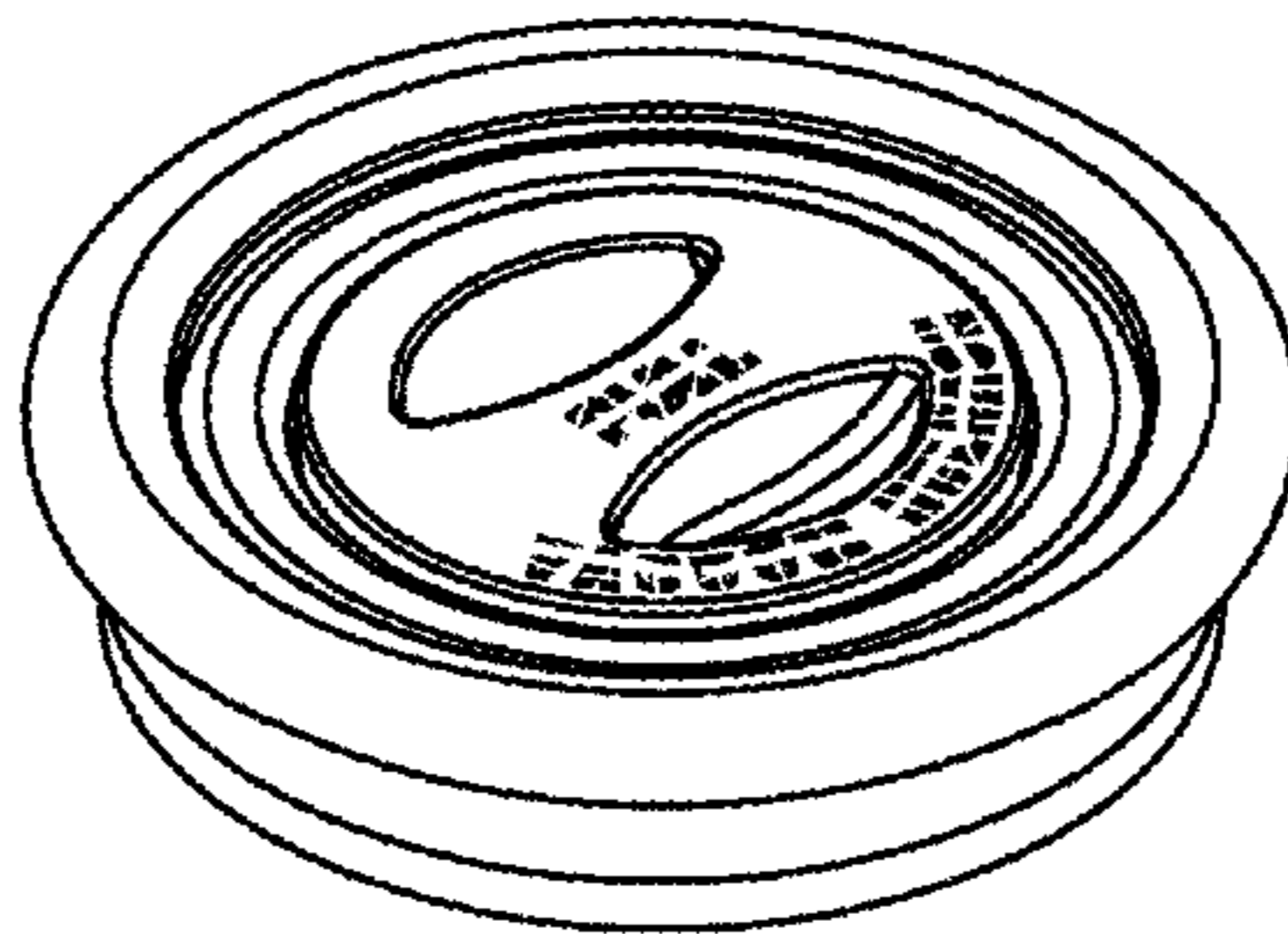
The cookware handle and vacuum release valve shown separated in FIGS. 6, 7, 8 and 9 are for convenience of illustration.

1 Claim, 3 Drawing Sheets

(56) **References Cited**

U.S. PATENT DOCUMENTS

- 3,632,014 A * 1/1972 Basile 220/203.29
- D224,106 S * 7/1972 Beranowski D23/235
- 3,827,596 A * 8/1974 Powers, Jr. 220/231
- D249,279 S * 9/1978 Backlund D24/164
- D316,292 S * 4/1991 Baker D23/249
- 5,269,438 A * 12/1993 Kelsey 220/766
- D347,880 S * 6/1994 Benson D23/233
- 5,927,183 A * 7/1999 Lee 99/337
- 6,129,234 A * 10/2000 Culig et al. 220/573.1
- 6,193,096 B1 * 2/2001 Raoult 220/573.1
- 6,536,603 B1 * 3/2003 Sollo 210/469



(56)

References Cited

U.S. PATENT DOCUMENTS

7,165,489 B1 * 1/2007 Fernandez et al. 99/422
 7,565,862 B2 * 7/2009 Cartigny et al. 99/337
 7,571,675 B1 * 8/2009 Cappadona et al. 99/337
 7,621,416 B2 * 11/2009 Bursztein 220/231
 7,669,521 B2 * 3/2010 Cartigny et al. 99/337
 7,775,390 B2 * 8/2010 de Bastos Reis Portugal
 et al. 220/321

8,096,440 B2 * 1/2012 Rhetat et al. 220/573.1
 8,113,246 B2 * 2/2012 Hsieh 141/65
 D692,526 S * 10/2013 Stein et al. D23/213
 D694,857 S * 12/2013 Au D23/233
 D695,878 S * 12/2013 Stein et al. D23/213
 2003/0209551 A1 * 11/2003 Park 220/573.1
 2005/0205577 A1 * 9/2005 Park 220/367.1
 2009/0120831 A1 * 5/2009 Wang et al. 206/524.8
 2014/0042165 A1 * 2/2014 Chameroy et al. 220/318

* cited by examiner

FIG. 1

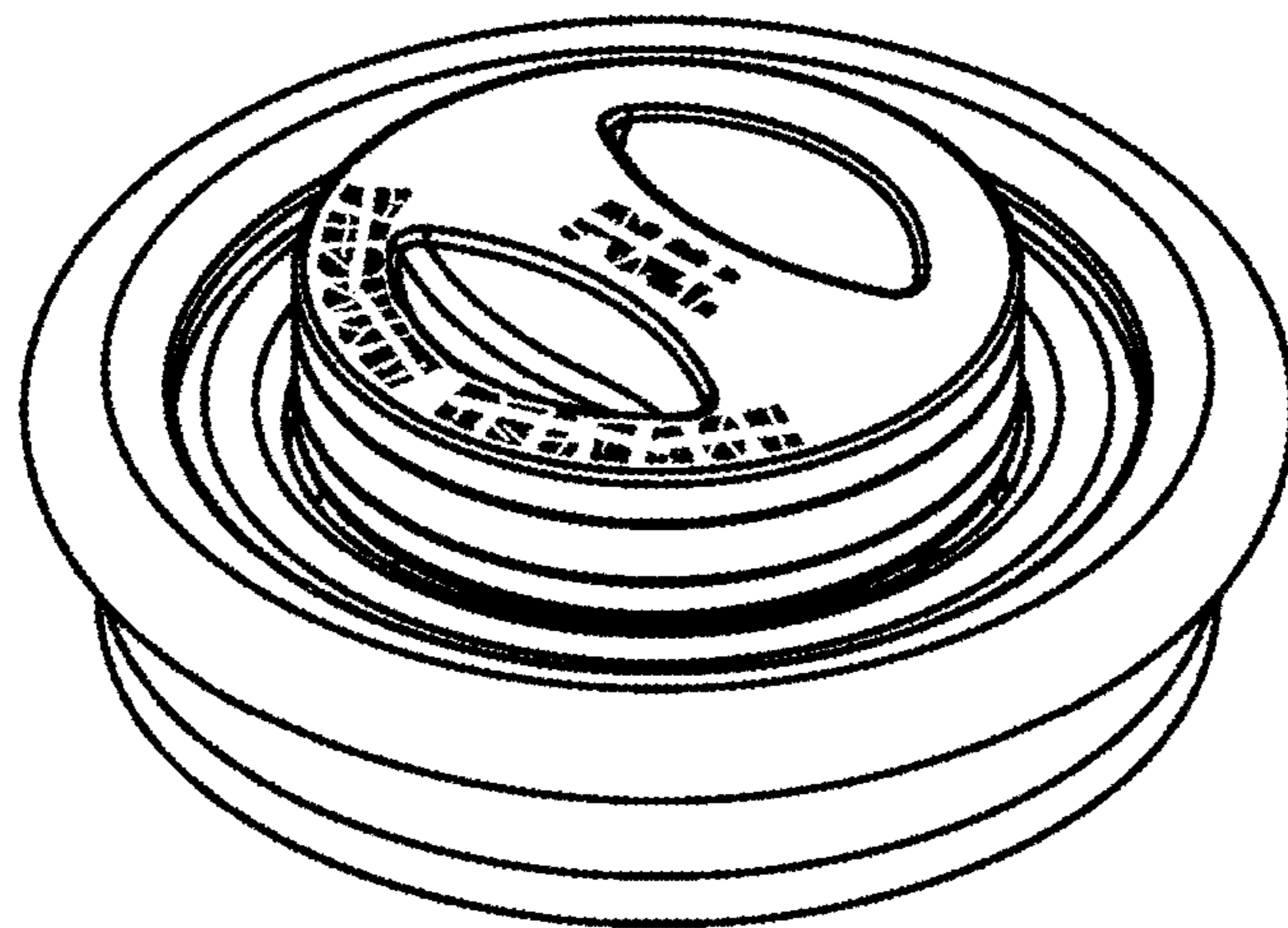
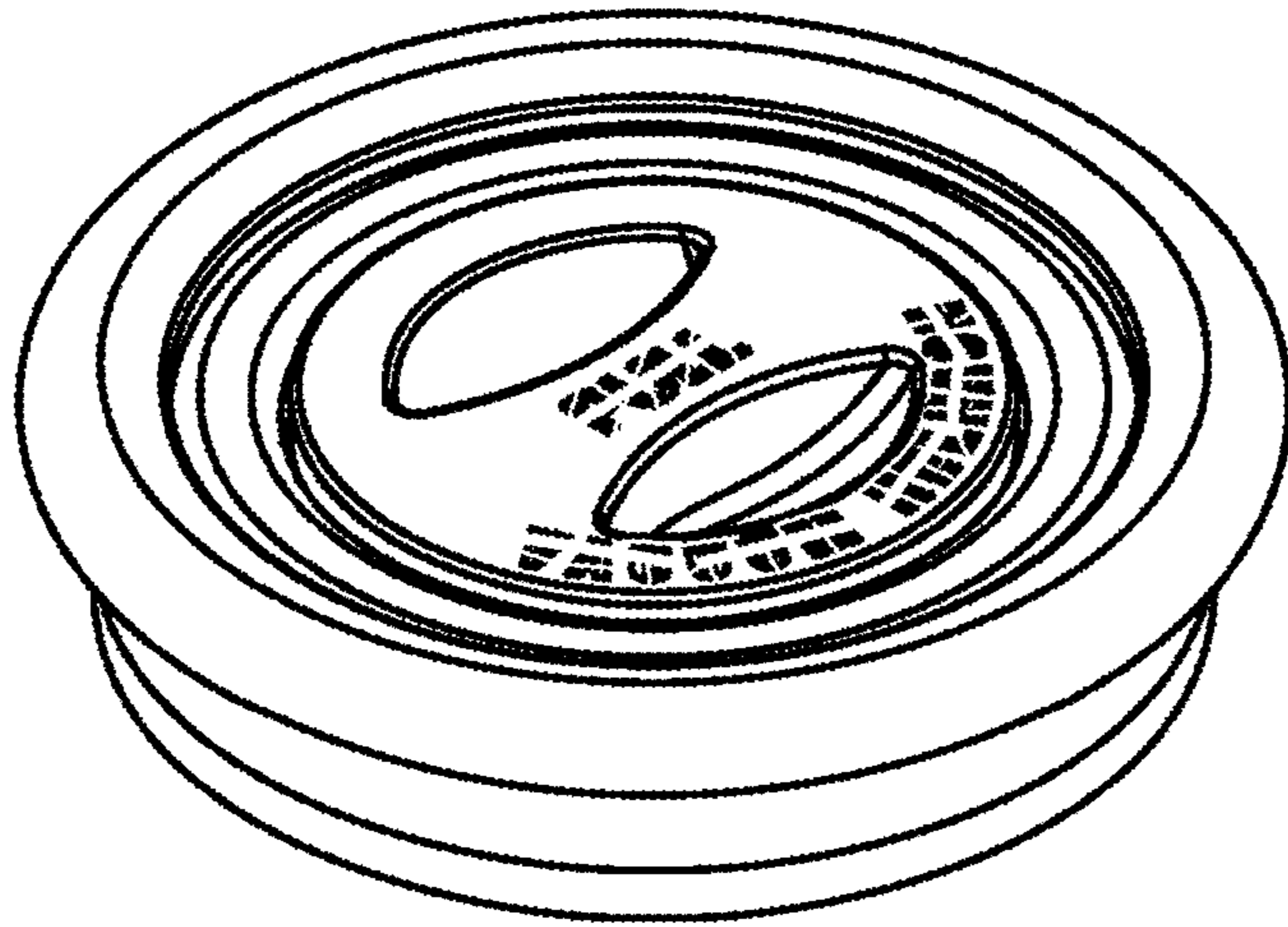


FIG. 2

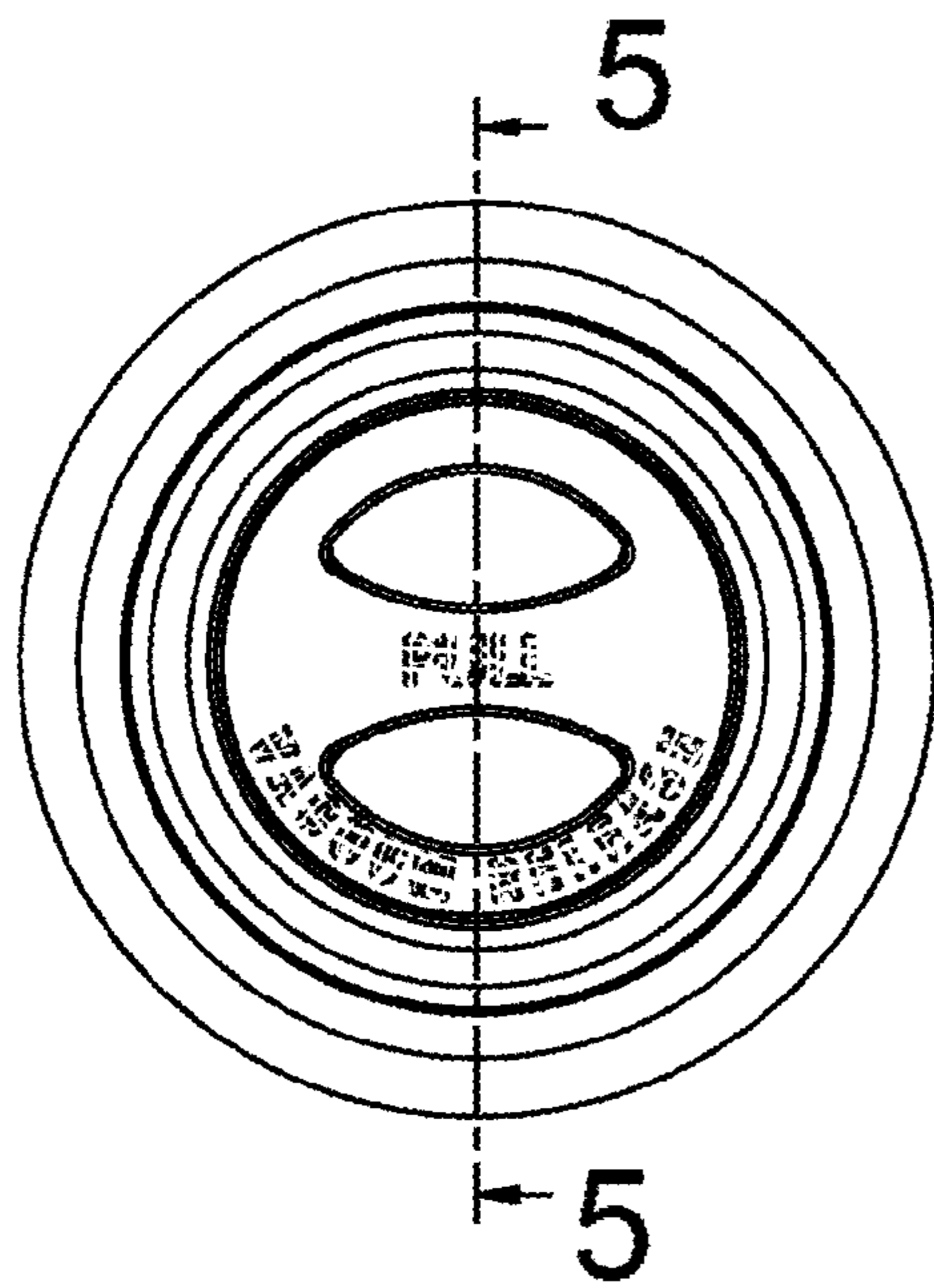


FIG. 3

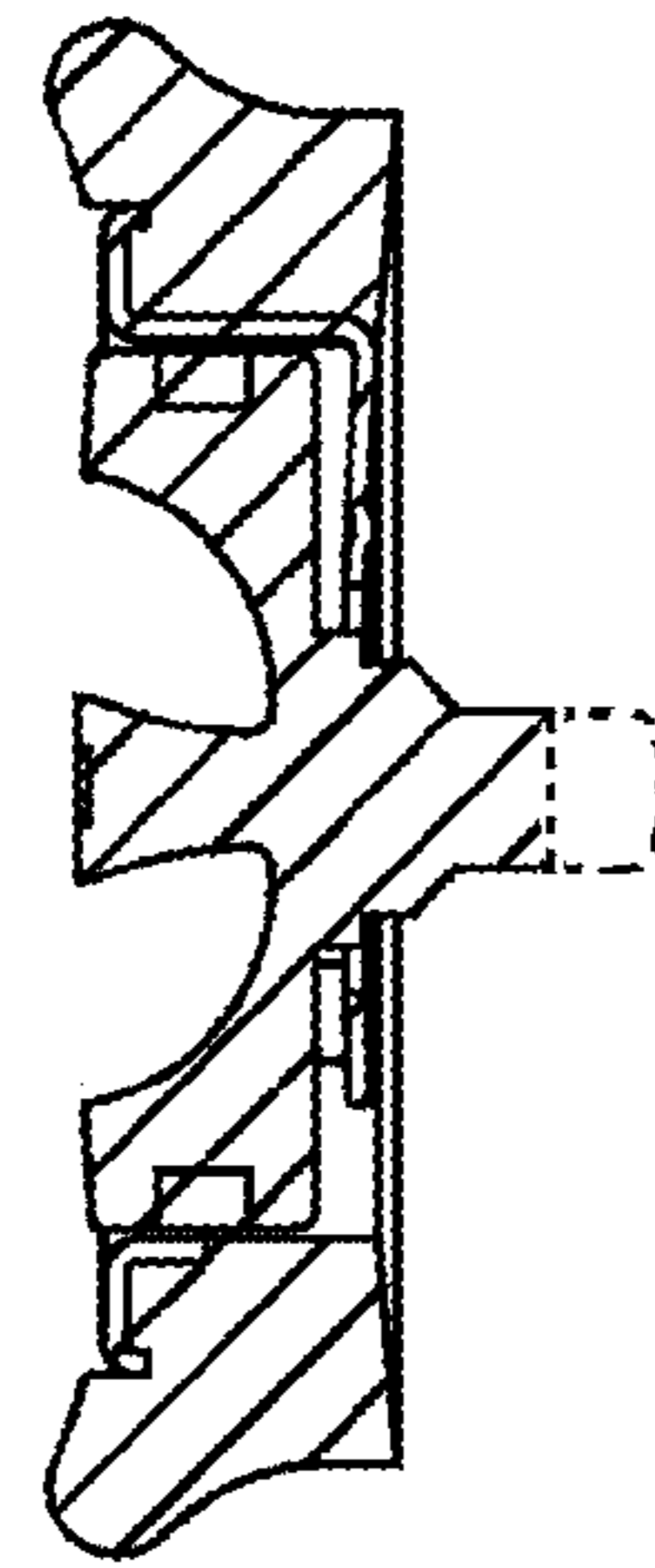


FIG. 5

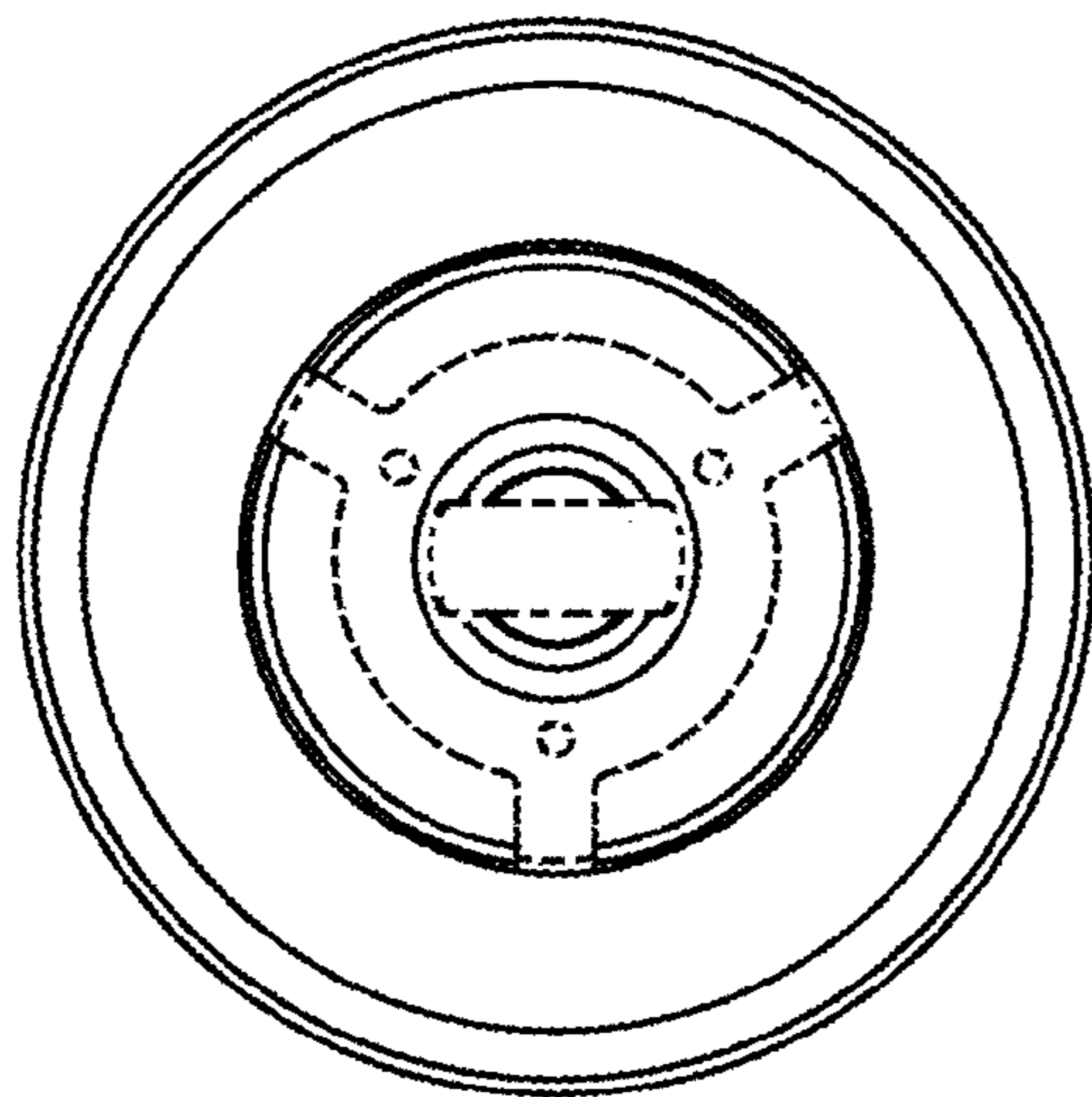


FIG. 4

FIG. 6

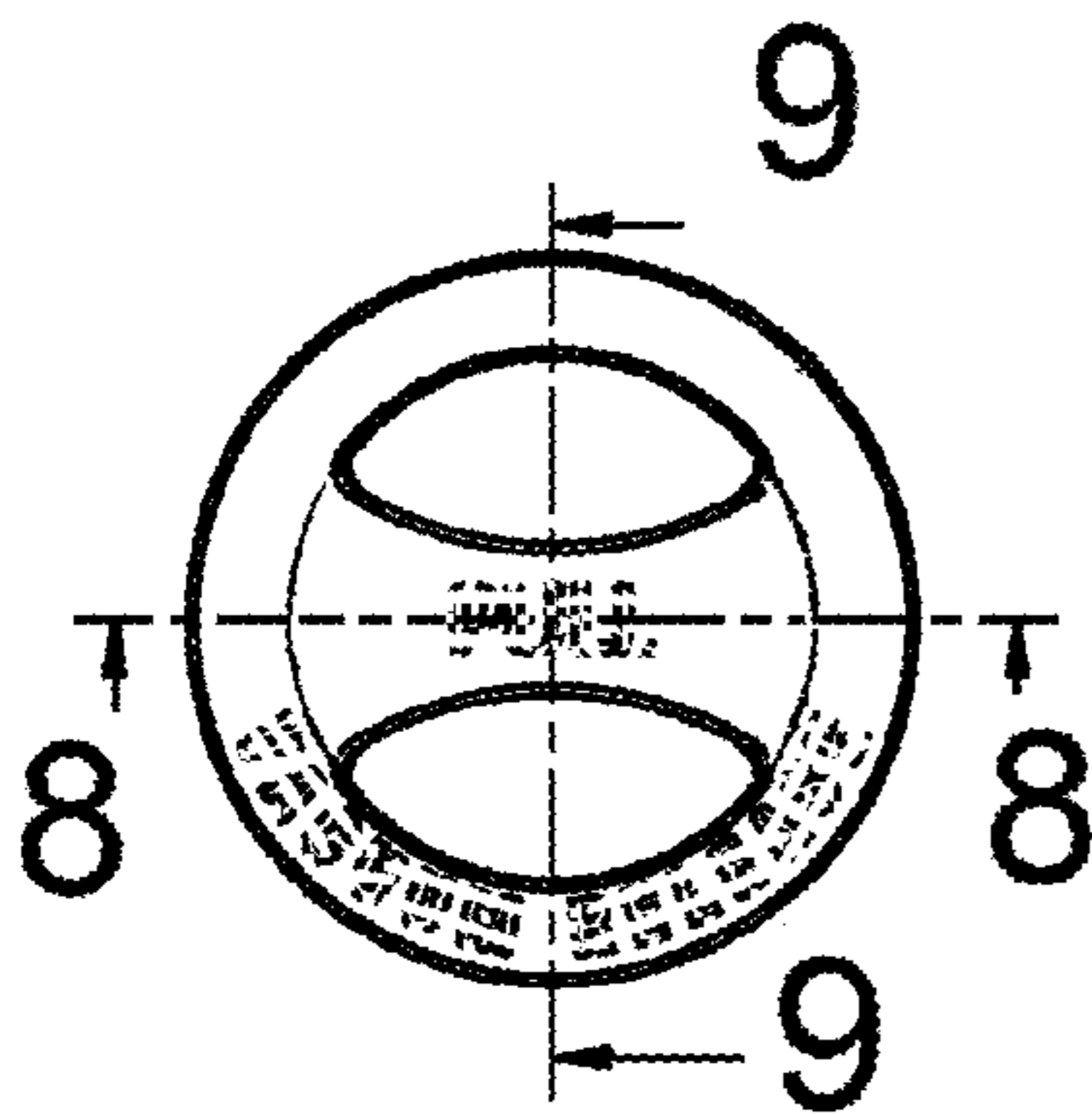


FIG. 9

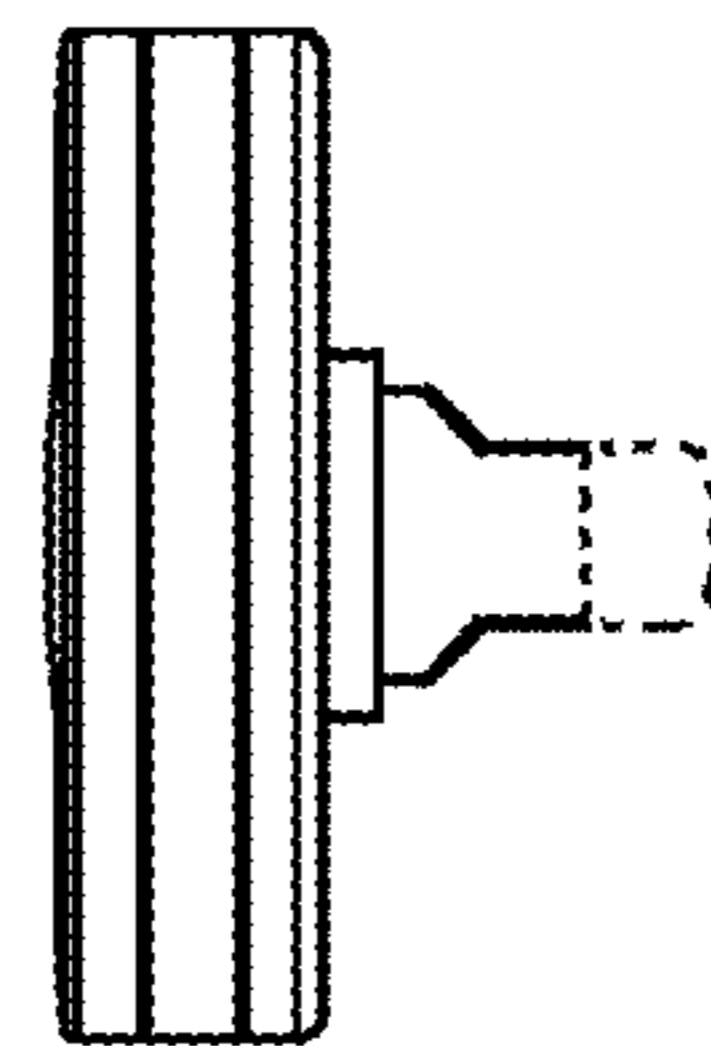
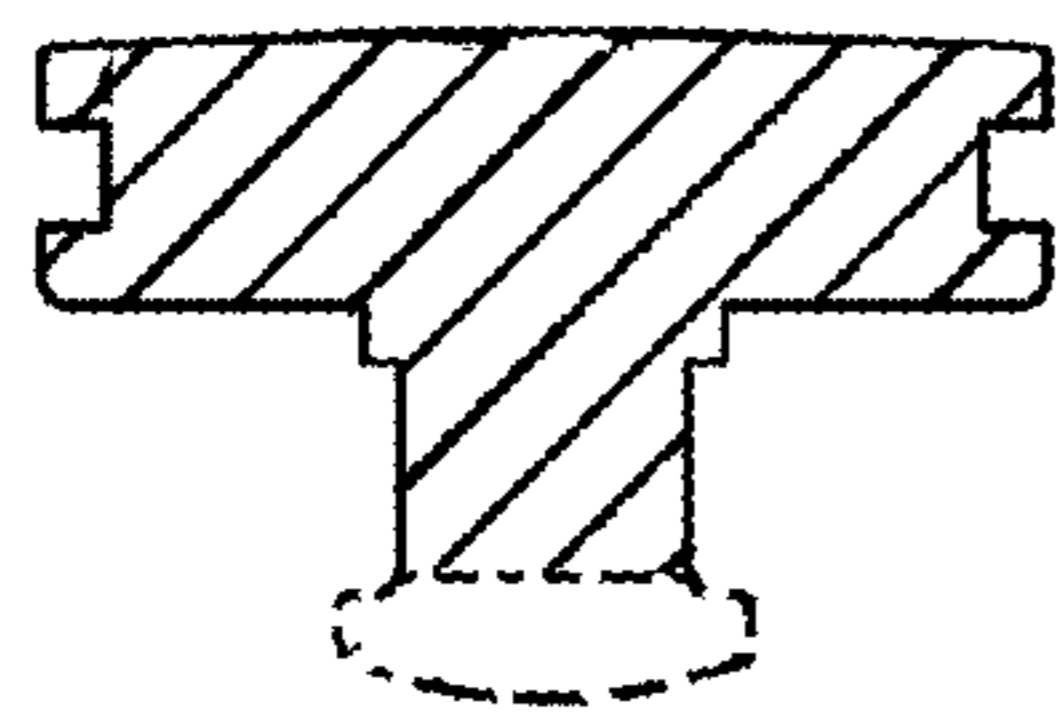
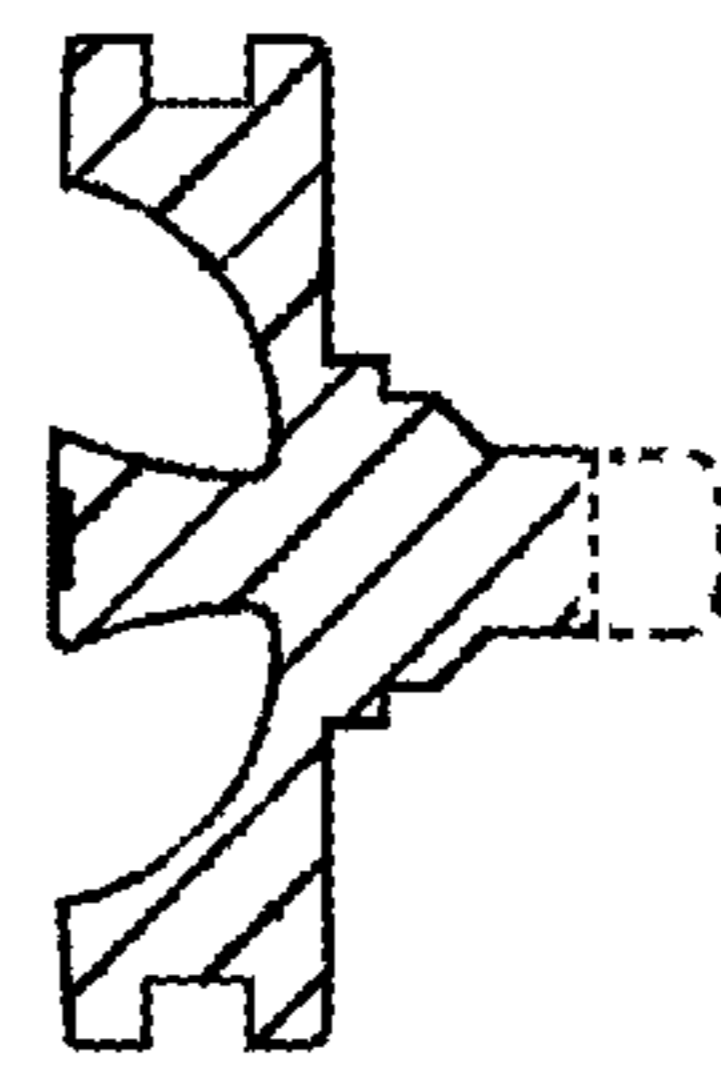


FIG. 8

FIG. 7