



US00D725741S

(12) **United States Design Patent**
Fritz

(10) **Patent No.:** **US D725,741 S**
(45) **Date of Patent:** **** Mar. 31, 2015**

- (54) **HANDHELD SHOWER**
- (71) Applicant: **Masco Corporation of Indiana,**
Indianapolis, IN (US)
- (72) Inventor: **Seth Fritz,** Carmel, IN (US)
- (73) Assignee: **Masco Corporation of Indiana,**
Indianapolis, IN (US)
- (**) Term: **14 Years**
- (21) Appl. No.: **29/484,922**
- (22) Filed: **Mar. 14, 2014**
- (51) **LOC (10) Cl.** **23-01**
- (52) **U.S. Cl.**
USPC **D23/223**
- (58) **Field of Classification Search**
USPC D23/213, 223, 226, 229, 230; 239/282,
239/283, 462, 459
See application file for complete search history.

- D567,330 S * 4/2008 Miedzius D23/223
- D569,479 S * 5/2008 Genord et al. D23/223
- 7,543,763 B1 * 6/2009 Wu 239/590.5
- D674,045 S * 1/2013 Hanus D23/223
- D674,879 S * 1/2013 Spangler D23/223

* cited by examiner

Primary Examiner — Robin V Webster

(74) *Attorney, Agent, or Firm* — Edgar A. Zarins; Nirav D. Parikh

(57) **CLAIM**

The ornamental design for a handheld shower, as shown and described.

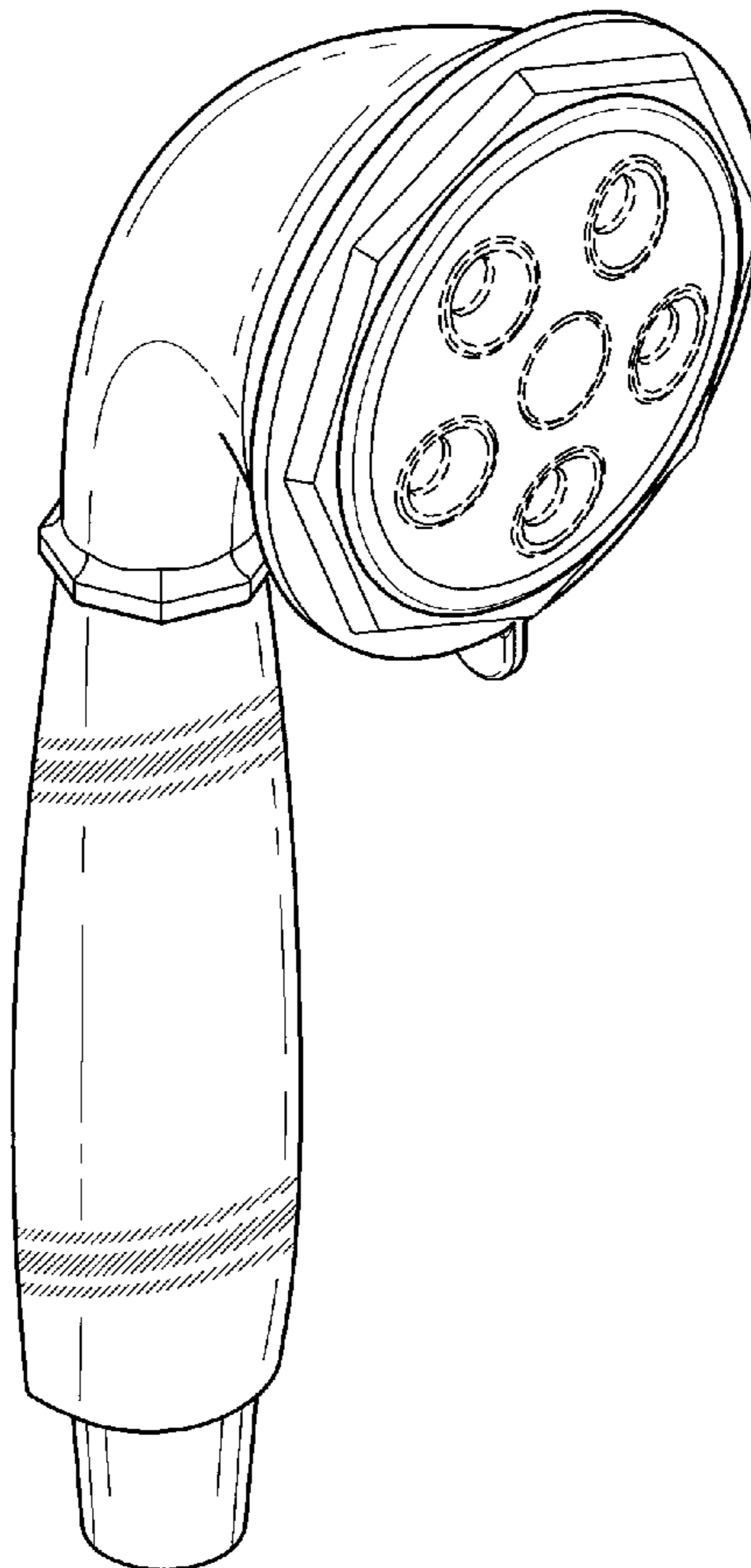
DESCRIPTION

FIG. 1 is a perspective view of a handheld shower showing my new design;
 FIG. 2 is a front elevational view thereof;
 FIG. 3 is a right side view thereof, the opposite side being a mirror image of the side shown;
 FIG. 4 is a top end view thereof; and,
 FIG. 5 is a bottom end view thereof.
 The broken line showing is included for the purpose of illustrating and forms no part of the claimed design.

1 Claim, 2 Drawing Sheets

(56) **References Cited**
U.S. PATENT DOCUMENTS

- D337,810 S * 7/1993 Bengtson et al. D23/223
- D420,426 S * 2/2000 Bosio D23/223



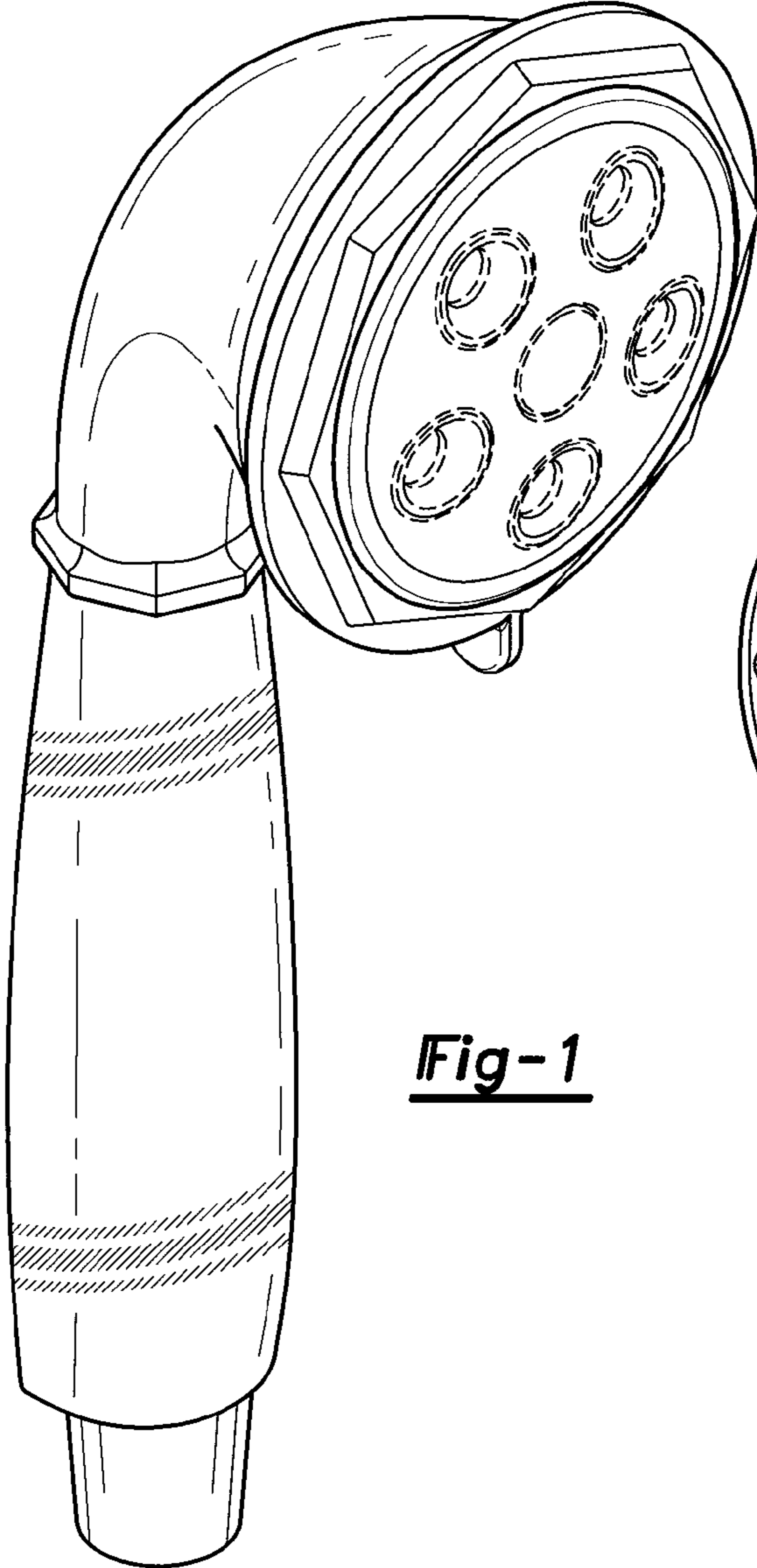


Fig-1

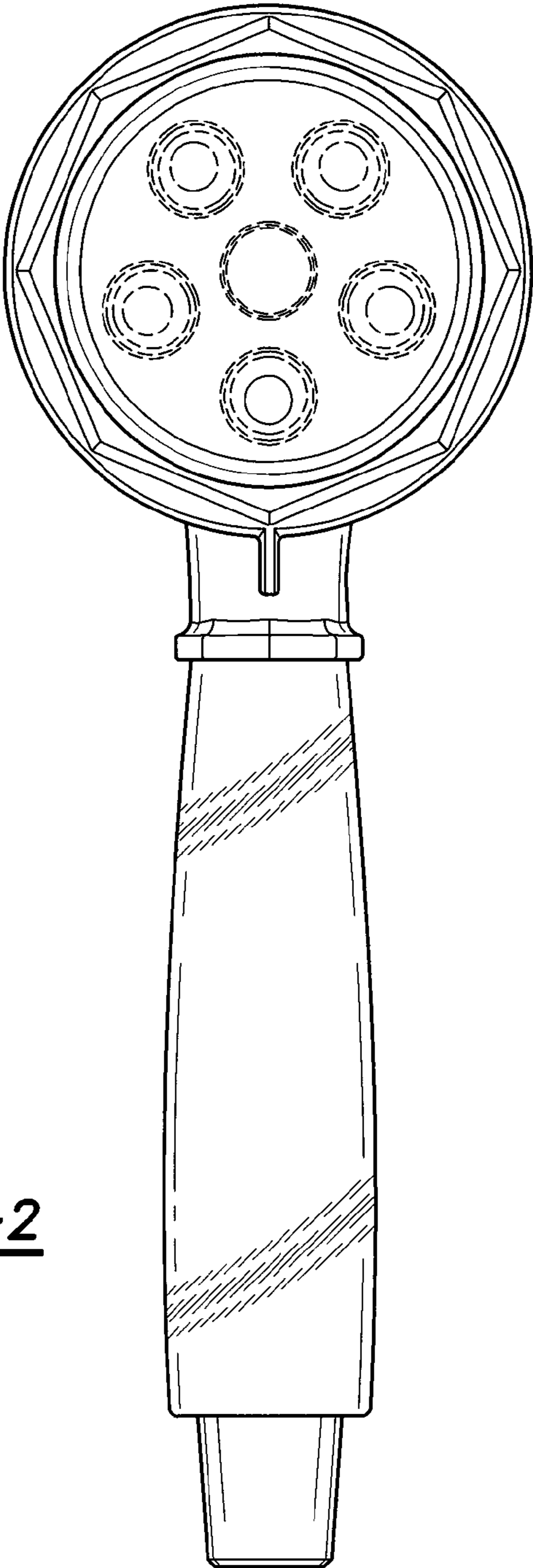


Fig-2

