



US00D725739S

(12) **United States Design Patent**  
**White**

(10) **Patent No.:** **US D725,739 S**  
(45) **Date of Patent:** **\*\* Mar. 31, 2015**

(54) **SEPTIC TANK SCREEN**

(71) Applicant: **J. C. White**, Emory, TX (US)

(72) Inventor: **J. C. White**, Emory, TX (US)

(\*\*) Term: **14 Years**

(21) Appl. No.: **29/480,259**

(22) Filed: **Jan. 24, 2014**

(51) **LOC (10) Cl.** ..... **23-01**

(52) **U.S. Cl.**

USPC ..... **D23/206; D23/260**

(58) **Field of Classification Search**

CPC ..... **B01D 29/68**

USPC ..... **D23/202, 206, 260, 266; 210/532.2,**  
**210/747.3; 166/92.1, 94.1; 52/20**

See application file for complete search history.

(56) **References Cited**

**U.S. PATENT DOCUMENTS**

|              |      |         |                   |       |           |
|--------------|------|---------|-------------------|-------|-----------|
| 4,230,578    | A *  | 10/1980 | Culp et al.       | ..... | 210/86    |
| 6,161,985    | A *  | 12/2000 | Hinkle et al.     | ..... | 404/26    |
| D466,182     | S *  | 11/2002 | Sodergard         | ..... | D23/206   |
| 7,169,296    | B2 * | 1/2007  | Humphrey et al.   | ..... | 210/150   |
| 7,225,587    | B2 * | 6/2007  | Shinehouse et al. | ..... | 52/19     |
| 7,347,644    | B2   | 3/2008  | Meyers            |       |           |
| 7,571,764    | B1 * | 8/2009  | Sammann           | ..... | 166/75.13 |
| 7,627,992    | B1   | 12/2009 | Gavin             |       |           |
| 7,997,031    | B2   | 8/2011  | Meyers            |       |           |
| 8,453,386    | B2 * | 6/2013  | Koteskey          | ..... | 52/20     |
| 2011/0305513 | A1   | 12/2011 | DiTullio          |       |           |

**OTHER PUBLICATIONS**

Polylok, Riser Safety Screens, [www.polylok.com/catalog/product/riser%20Safety%20Screens](http://www.polylok.com/catalog/product/riser%20Safety%20Screens), Apr. 2013.

Tuf-Tite, Tuf-Tite Riser System, [www.tuf-tite.com/riseroverview.html](http://www.tuf-tite.com/riseroverview.html), Apr. 2013.

\* cited by examiner

*Primary Examiner* — Robin V Webster

(74) *Attorney, Agent, or Firm* — Scott T. Griggs; Griggs Bergen LLP

(57) **CLAIM**

The ornamental design for a septic tank screen, as shown and described.

**DESCRIPTION**

FIG. 1 depicts a front perspective view of the septic tank screen of the present design application where a septic tank opening is depicted in broken lines to show context and forms no part of the design to be patented;

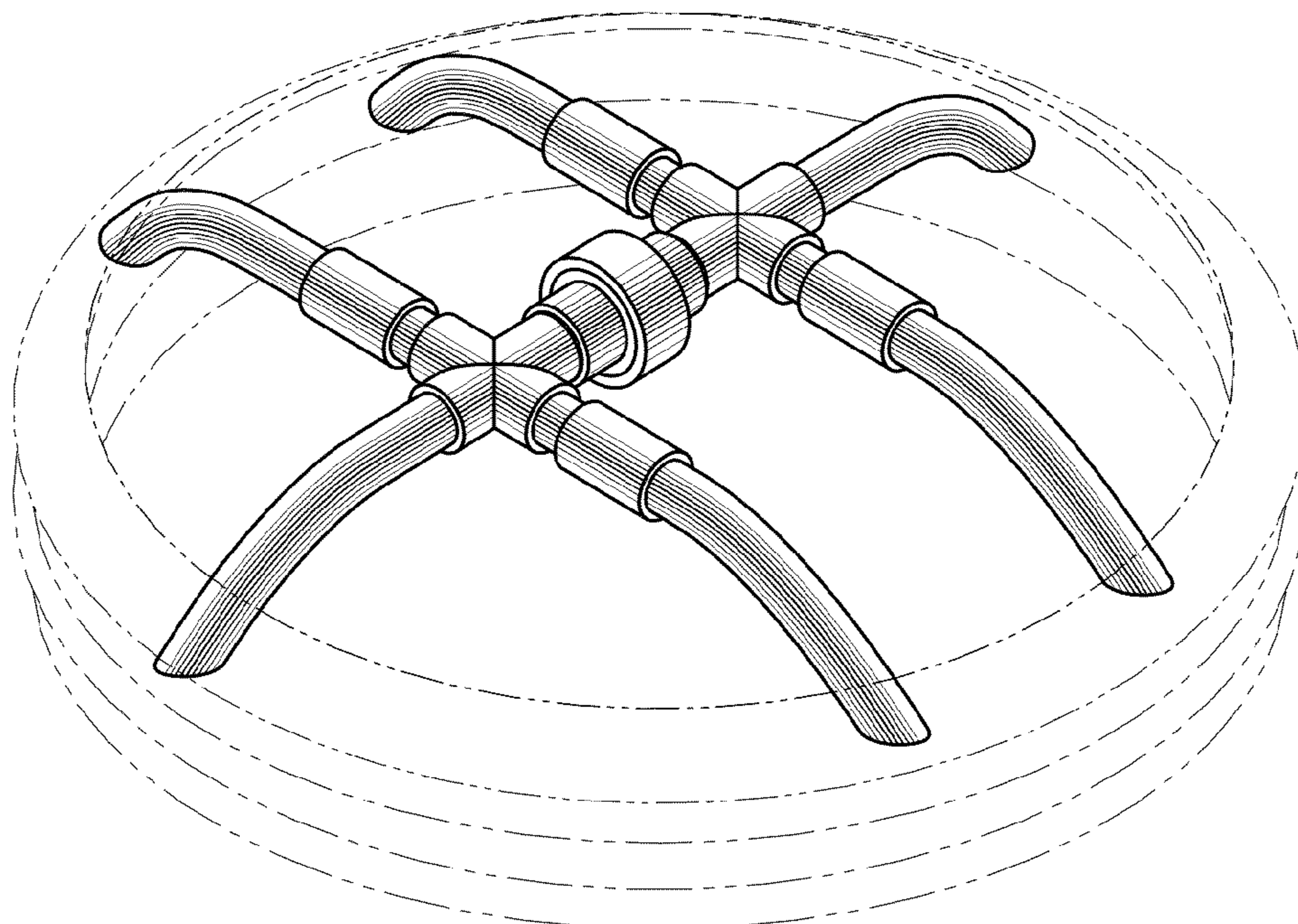
FIG. 2 depicts a top plan view of the ornamental design shown in FIG. 1;

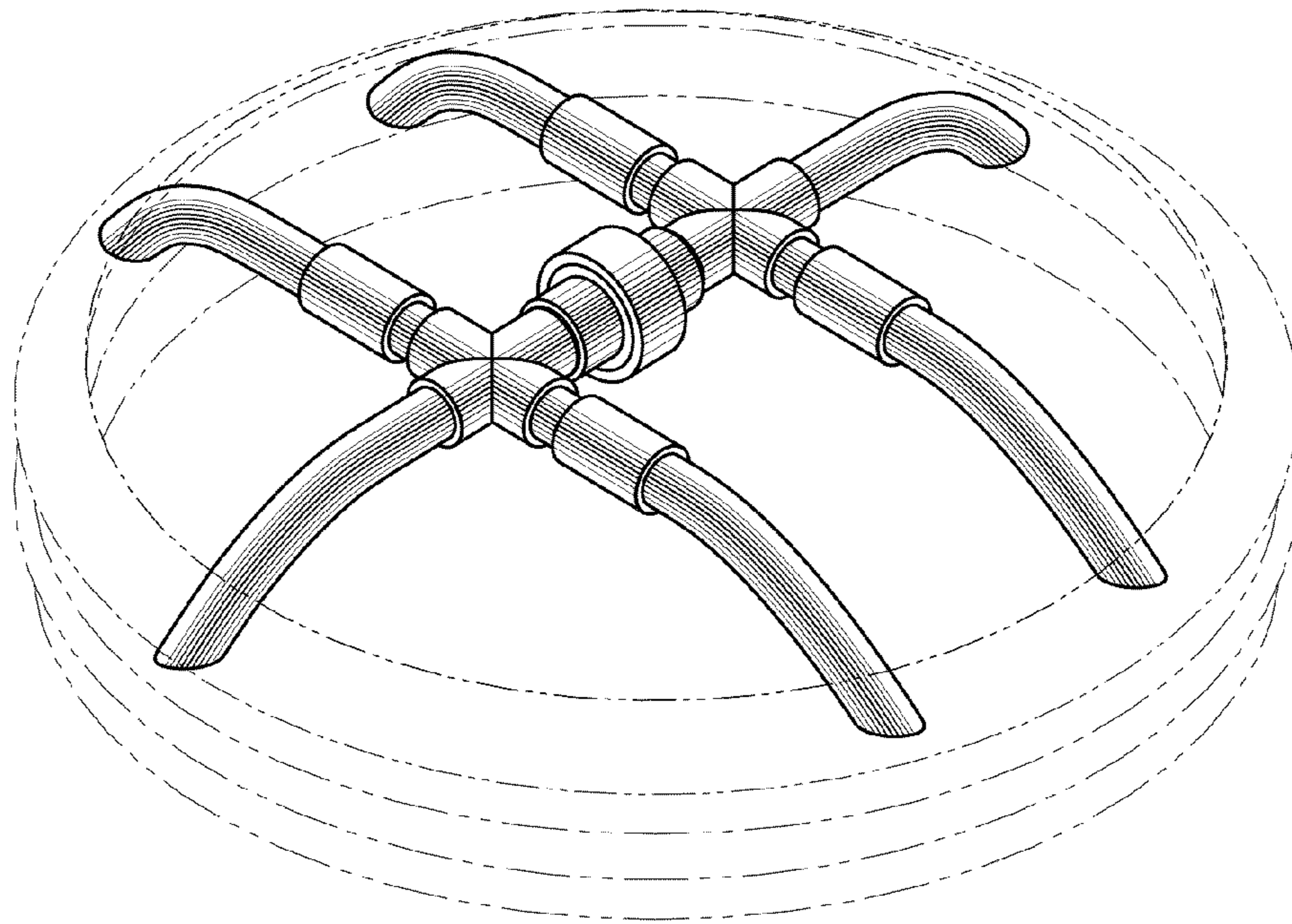
FIG. 3 depicts a bottom plan view of the ornamental design shown in FIG. 1;

FIG. 4 depicts a side elevation view of the ornamental design shown in FIG. 1, wherein the septic tank screen has left and right symmetry; and,

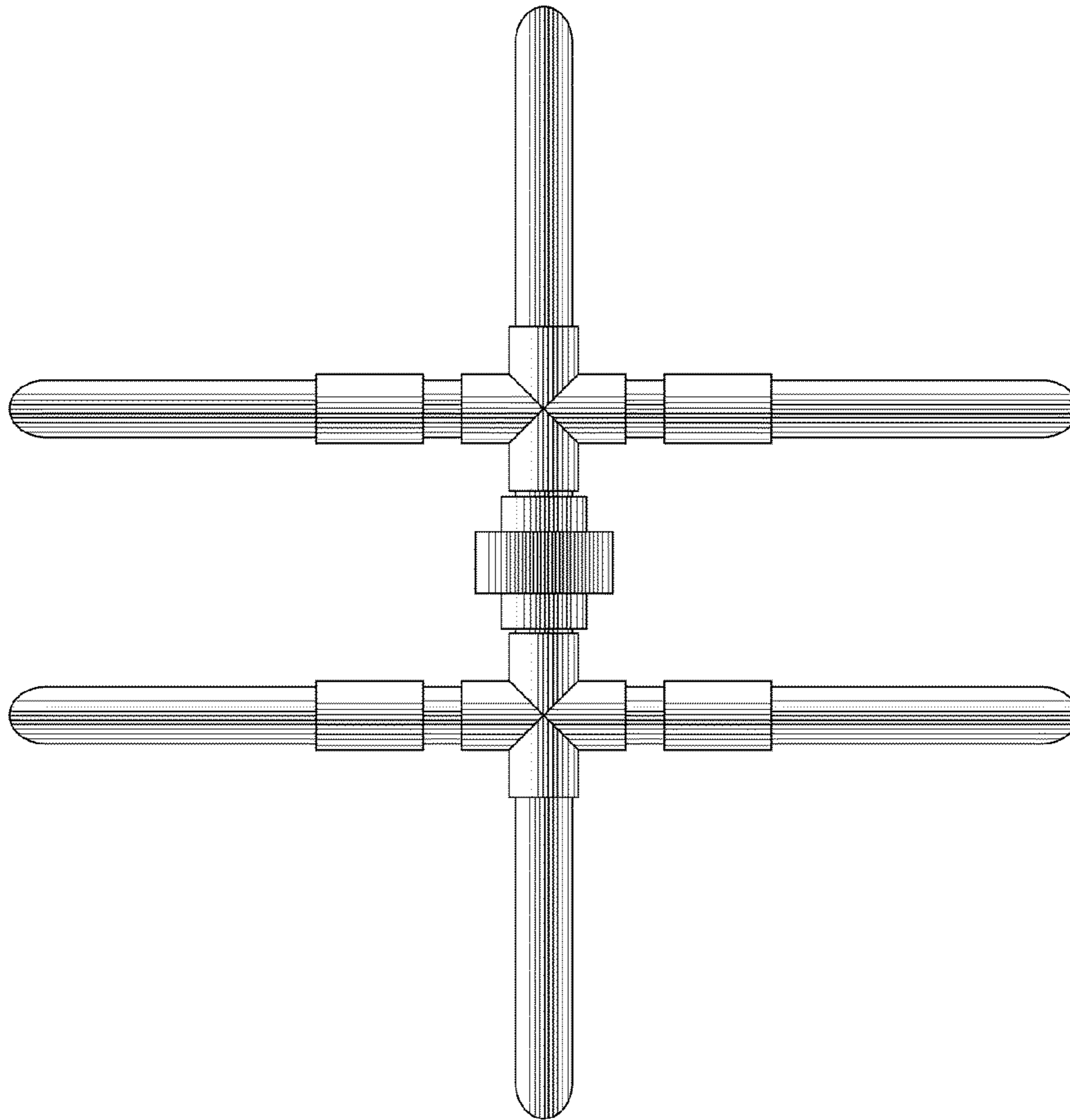
FIG. 5 depicts a front elevation view of the ornamental design shown in FIG. 1, wherein the septic tank screen has front and rear symmetry.

**1 Claim, 2 Drawing Sheets**



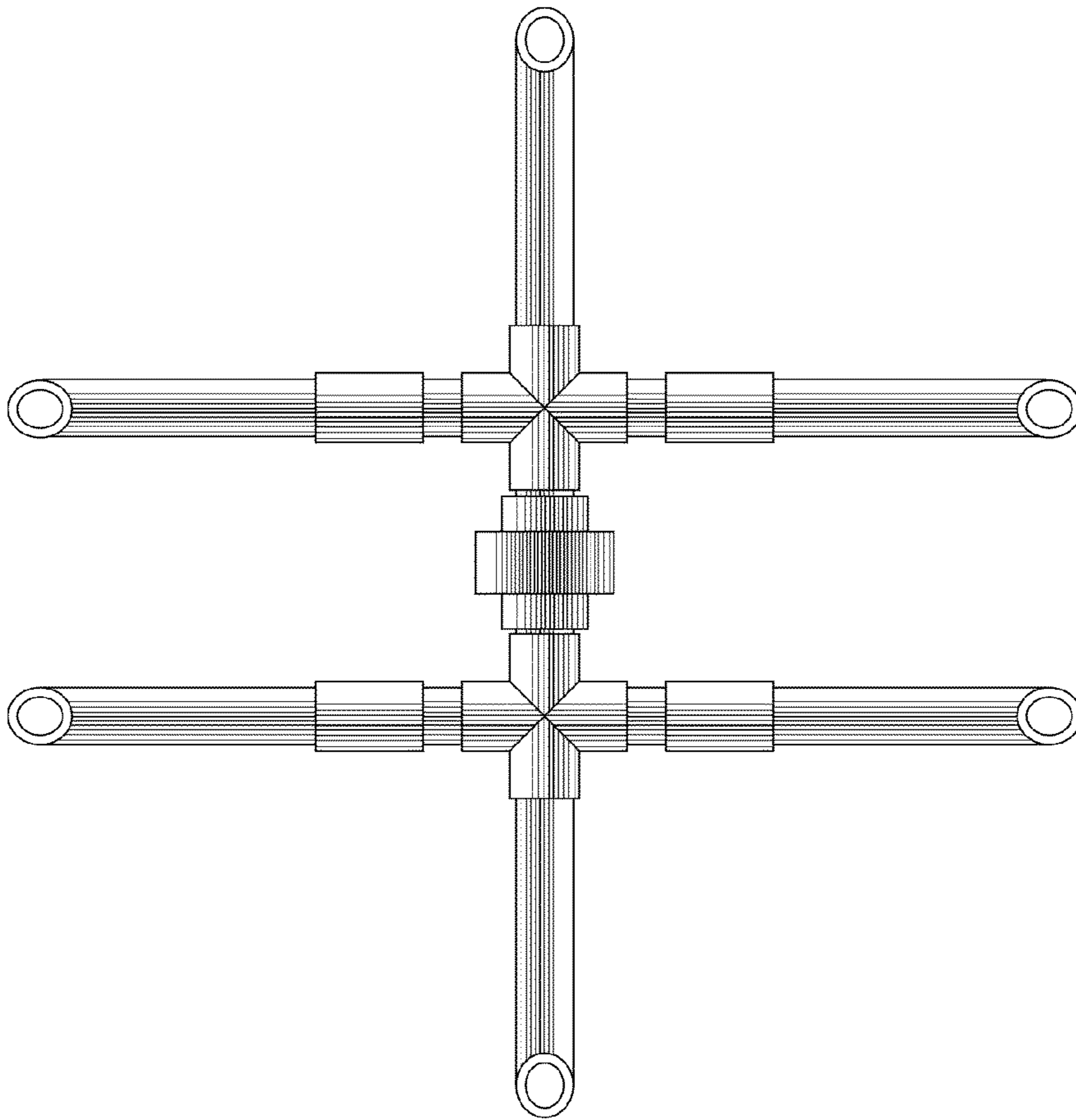


*Fig.1*

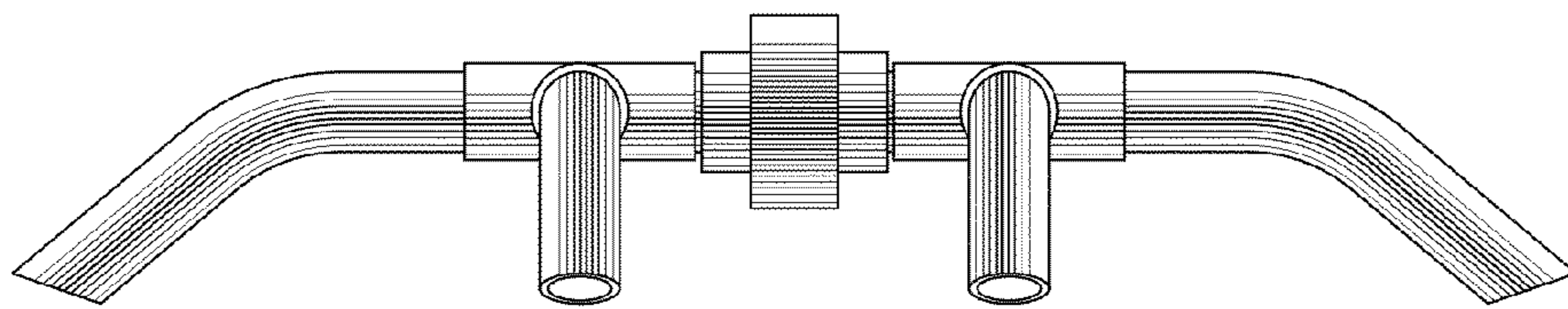


*Fig.2*

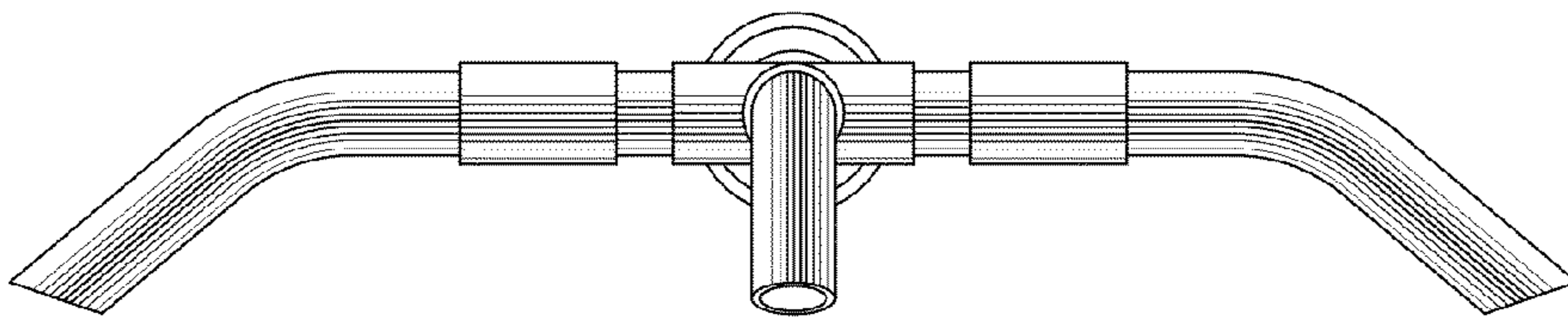




*Fig.3*



*Fig.4*



*Fig.5*