



US00D725734S

(12) **United States Design Patent**
Sosnowski et al.

(10) **Patent No.:** **US D725,734 S**
(45) **Date of Patent:** **** Mar. 31, 2015**

(54) **FLOTATION DEVICE**

(71) Applicants: **Christopher John Sosnowski**, Tempe, AZ (US); **Cheryl Lynn Sosnowski**, Tempe, AZ (US)

(72) Inventors: **Christopher John Sosnowski**, Tempe, AZ (US); **Cheryl Lynn Sosnowski**, Tempe, AZ (US)

(**) Term: **14 Years**

(21) Appl. No.: **29/500,954**

(22) Filed: **Aug. 29, 2014**

(51) **LOC (10) Cl.** **21-02**

(52) **U.S. Cl.**
USPC **D21/803**

(58) **Field of Classification Search**
CPC B63B 35/74; B63B 35/76; B63B 35/78; B63B 35/79; B63B 35/7906; B63B 35/7909; B63B 35/7913; B63B 35/7916; B63B 35/792; B63B 35/7923; B63B 35/7926; B63B 35/793
USPC D21/769-770, 801, 803, 809; 114/253, 114/345-346; 441/35, 66, 74, 40-42, 441/129-132; 472/128-129; D12/5, 6, 316; D6/392, 595, 596, 601, 604, 605

See application file for complete search history.

(56) **References Cited**

U.S. PATENT DOCUMENTS

2,623,574	A *	12/1952	Damsch	297/111
2,974,331	A *	3/1961	Dize	441/130
4,580,988	A *	4/1986	Correll	441/130
5,086,529	A *	2/1992	DeGroot	5/710
5,324,221	A *	6/1994	Kaufman et al.	441/129
5,406,653	A *	4/1995	Todor	4/496
5,562,514	A *	10/1996	Rowe	441/130
7,578,716	B2 *	8/2009	Hagedorn	441/129
D636,452	S *	4/2011	Majors	D21/803
2014/0024273	A1 *	1/2014	Marcantonio	441/129

* cited by examiner

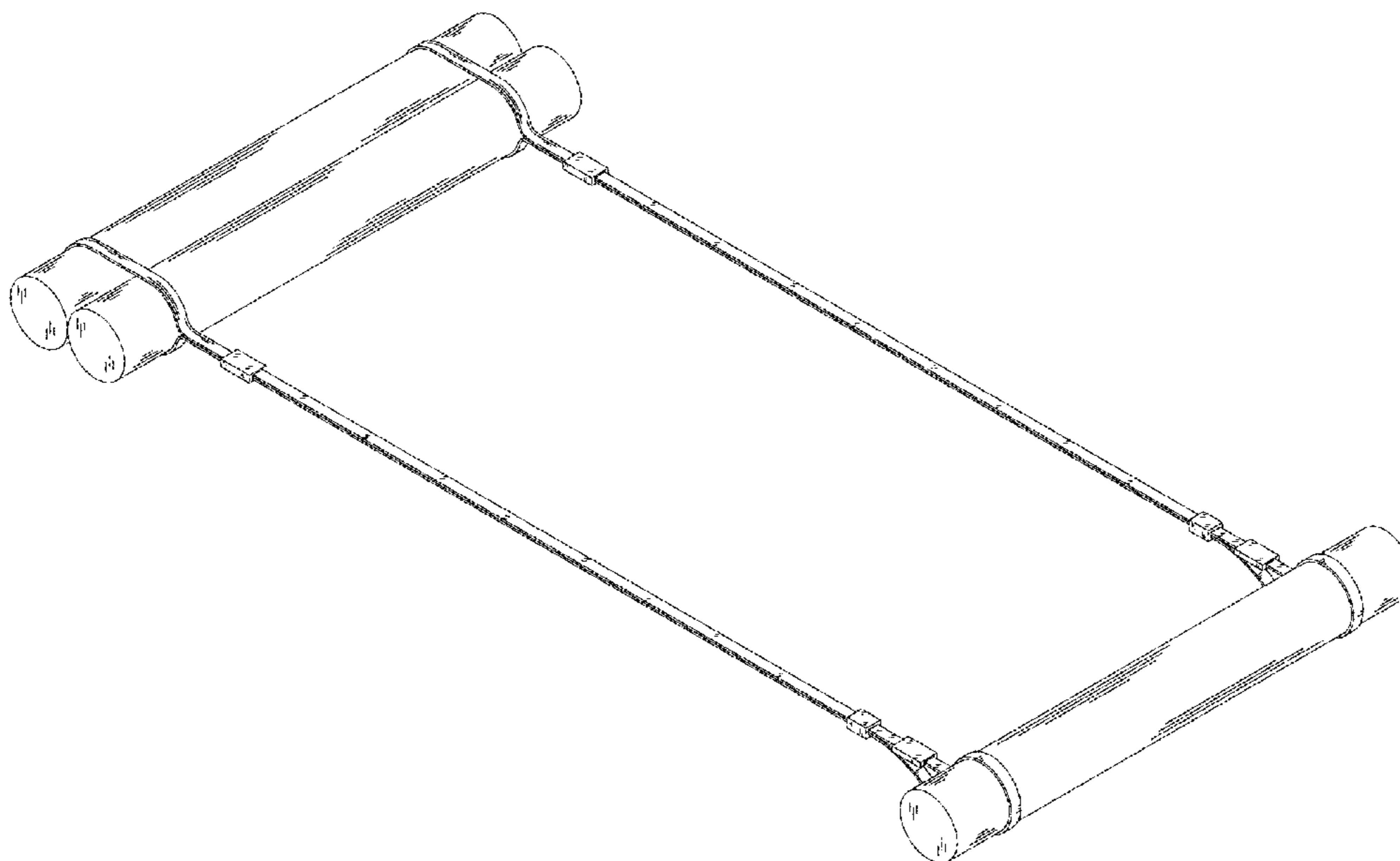
Primary Examiner — Zenia Bennett

(57) **CLAIM**
The ornamental design for a flotation device, as shown and described.

DESCRIPTION

FIG. 1 is a perspective view of a flotation device; FIG. 2 is a left-side elevational view thereof; FIG. 3 is a right-side elevational view thereof; FIG. 4 is a top plan view thereof; FIG. 5 is a bottom plan view thereof; FIG. 6 is a front elevational view thereof; FIG. 7 is a rear elevational view thereof; and, FIG. 8 is a left-side elevational view thereof. The broken line showing of a person in FIG. 8 is included for the purpose of showing environmental structure and forms no part of the claimed design.

1 Claim, 8 Drawing Sheets



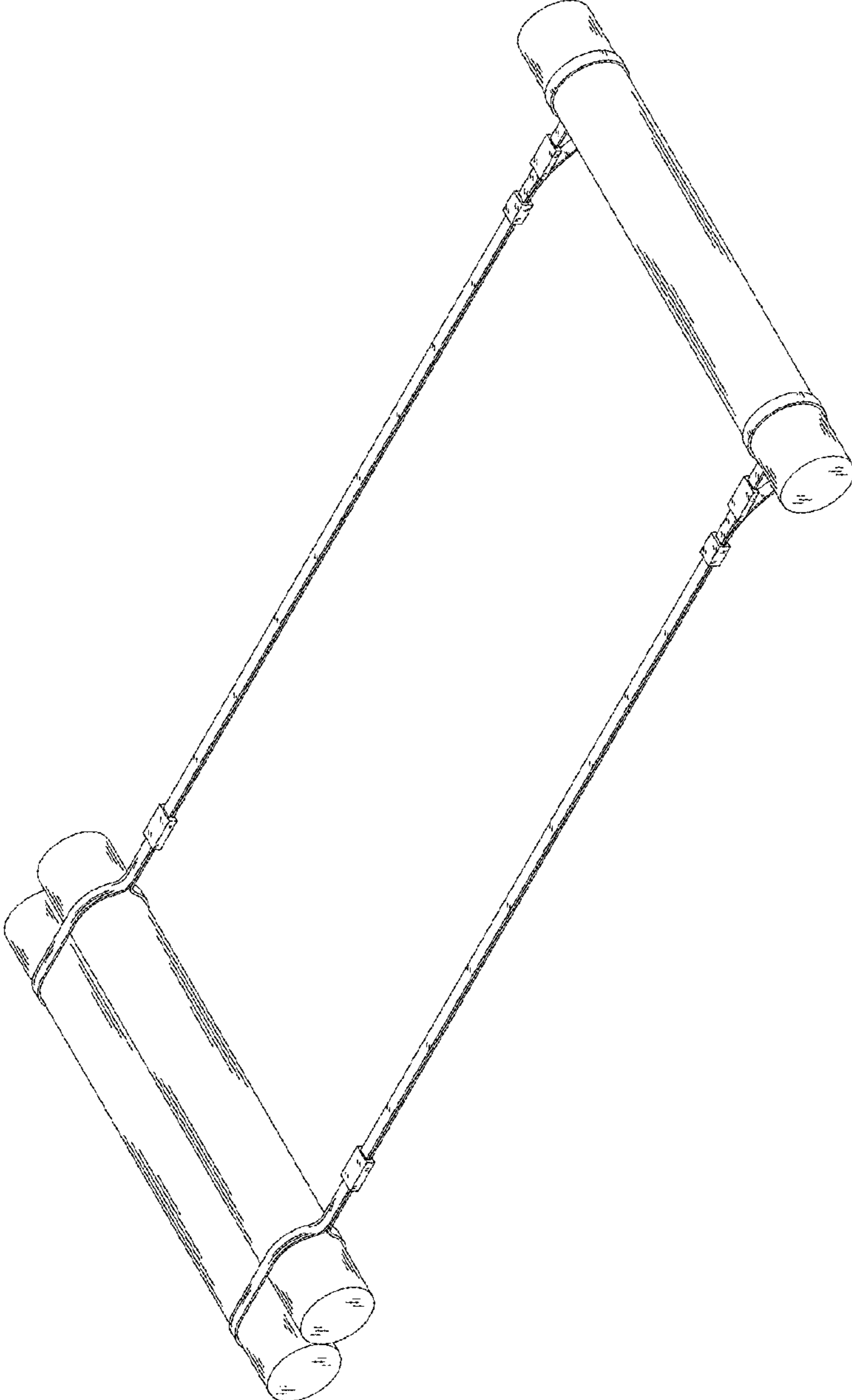


FIG. 1



FIG. 2

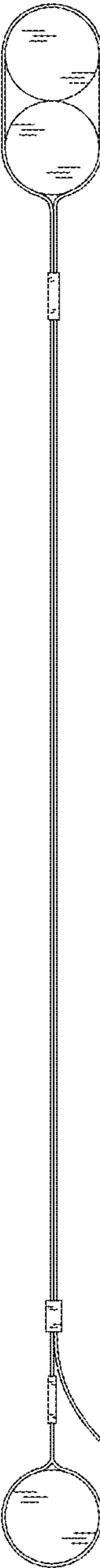


FIG. 3

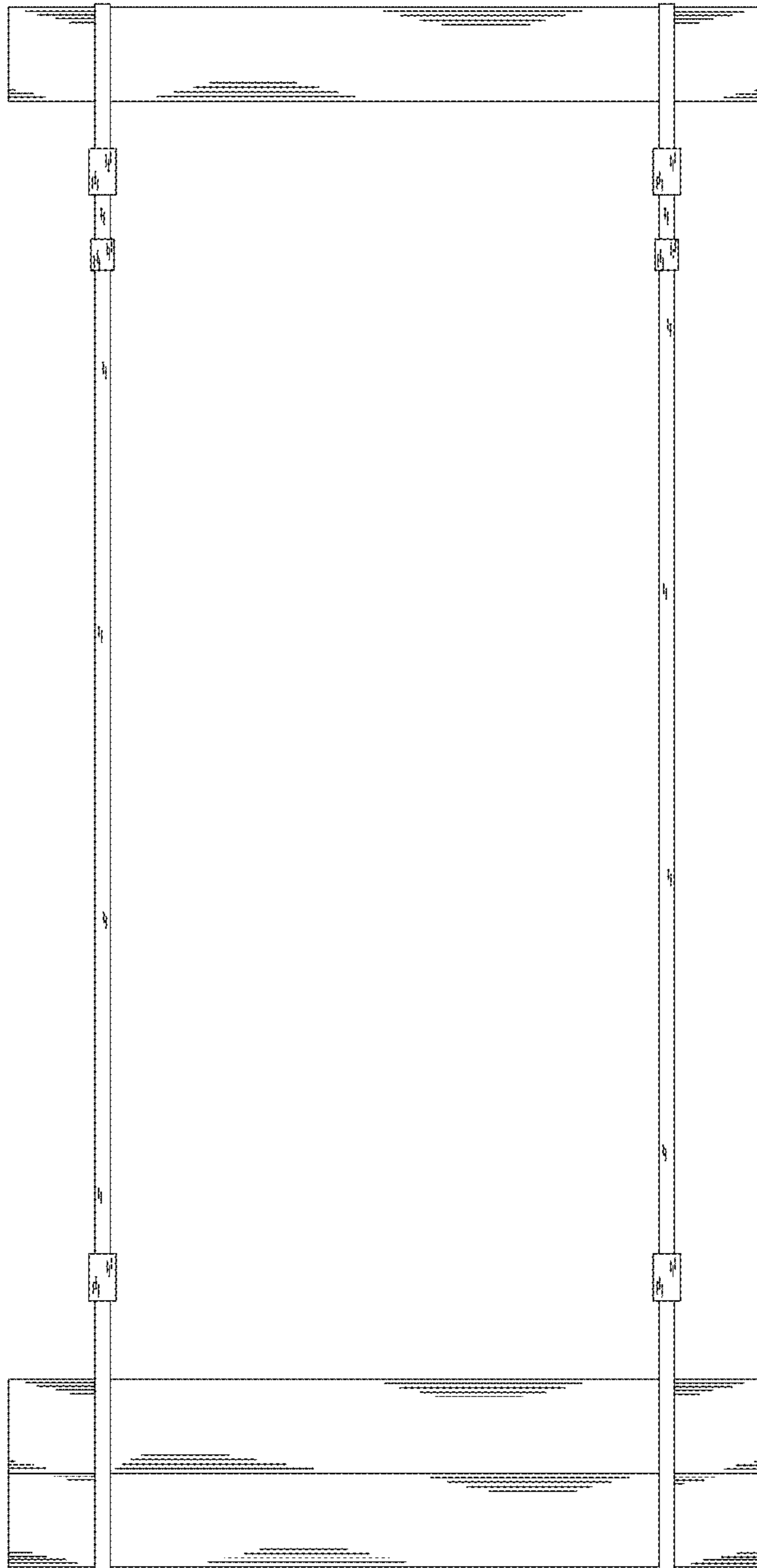


FIG. 4

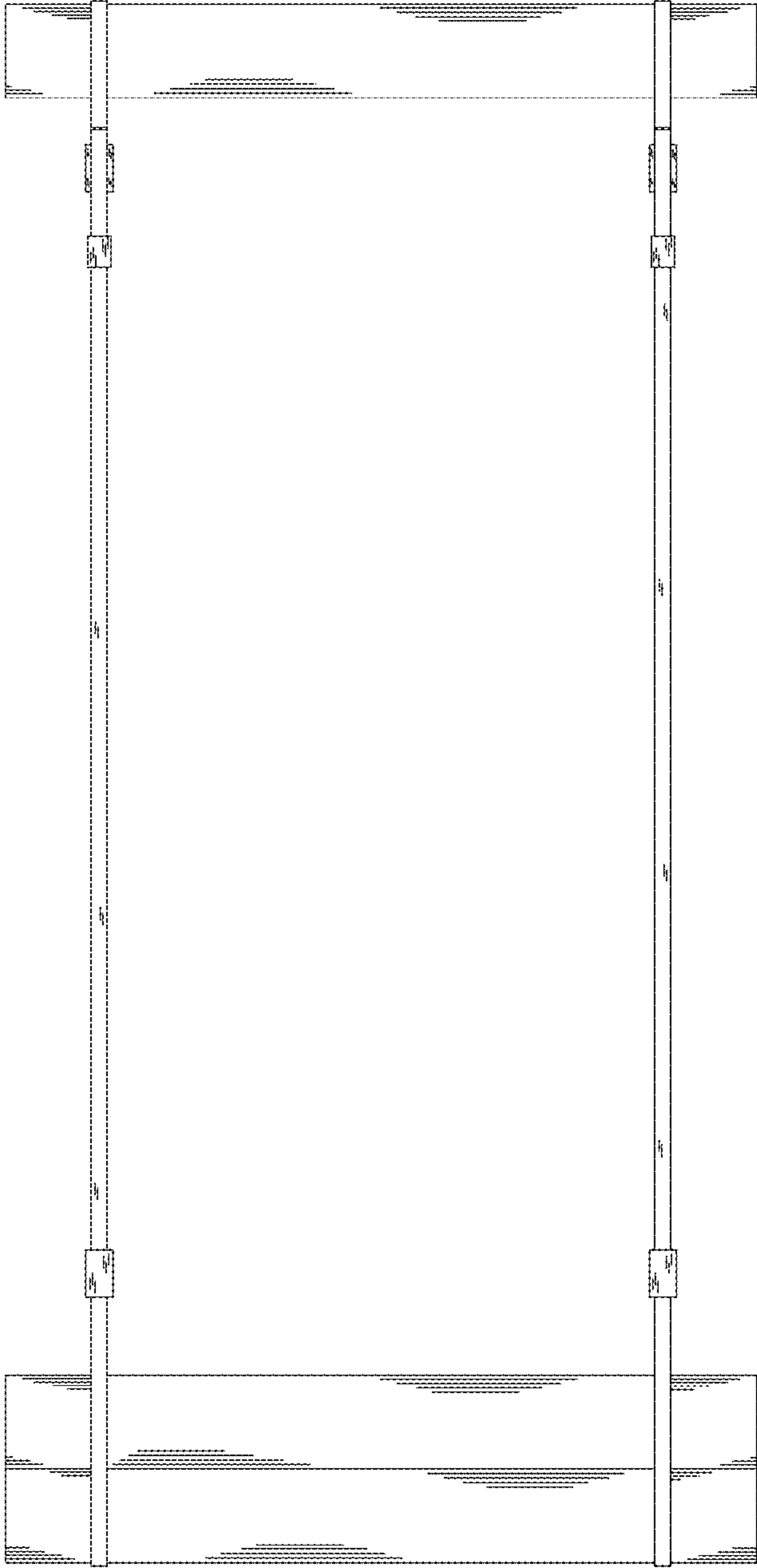


FIG. 5



FIG. 6



FIG. 7

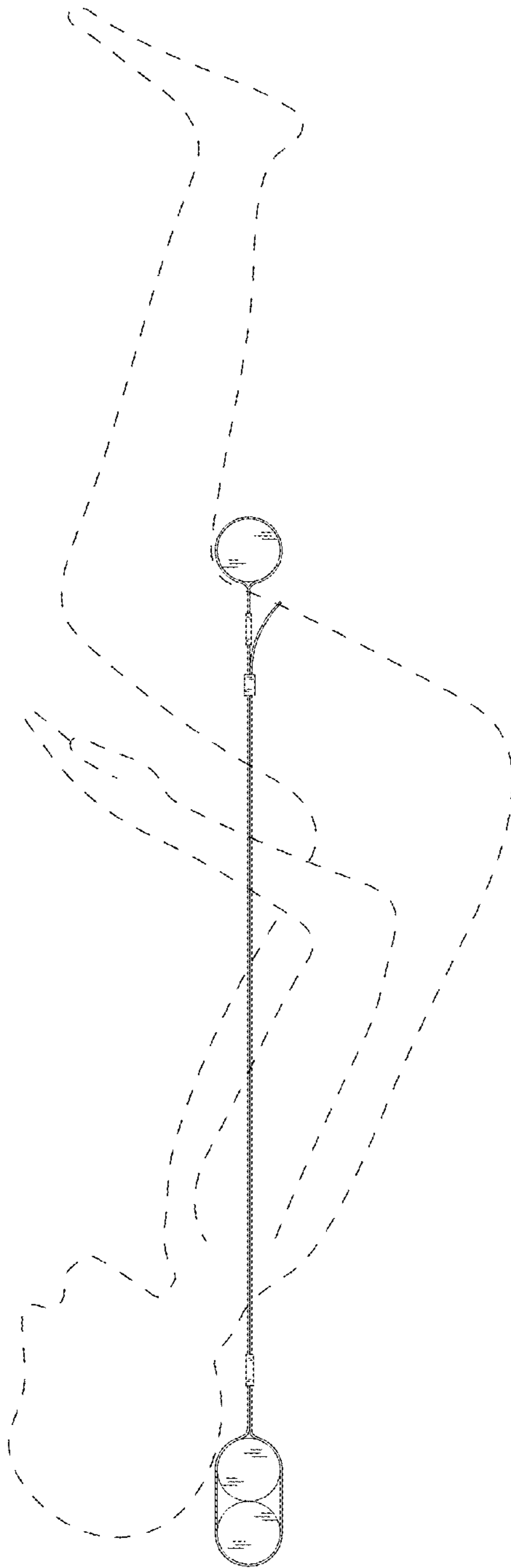


FIG. 8