



US00D725732S

(12) **United States Design Patent**
Westrum et al.

(10) **Patent No.:** **US D725,732 S**
(45) **Date of Patent:** **** Mar. 31, 2015**

- (54) **GOLF CLUB HEAD**
- (71) Applicant: **Callaway Golf Company**, Carlsbad, CA (US)
- (72) Inventors: **Joshua D. Westrum**, Vista, CA (US);
Irina Ivanova, San Diego, CA (US);
Chris J. Wieland, Vista, CA (US); **Scott R. Manwaring**, Carlsbad, CA (US)
- (73) Assignee: **Callaway Golf Company**, Carlsbad, CA (US)
- (**) Term: **14 Years**
- (21) Appl. No.: **29/488,621**
- (22) Filed: **Apr. 22, 2014**
- (51) **LOC (10) Cl.** **21-02**
- (52) **U.S. Cl.**
USPC **D21/759**
- (58) **Field of Classification Search**
USPC D21/747-751, 759; 473/324-331, 350
See application file for complete search history.

D505,466 S *	5/2005	Lang et al.	D21/749
6,887,164 B2 *	5/2005	Dewanjee et al.	473/342
D510,115 S *	9/2005	Lang et al.	D21/749
7,338,387 B2 *	3/2008	Nycum et al.	473/332
7,399,238 B2 *	7/2008	Hocknell et al.	473/342
D598,060 S *	8/2009	Barez et al.	D21/747
D622,336 S *	8/2010	Kohno	D21/747
D622,344 S *	8/2010	Oldknow et al.	D21/759
D666,261 S *	8/2012	Roach et al.	D21/749
2009/0239679 A1 *	9/2009	Stites et al.	473/334

* cited by examiner

Primary Examiner — Mitchell Siegel

(74) *Attorney, Agent, or Firm* — Rebecca Hanovice;
Michael A. Catania; Sonia Lari

(57) **CLAIM**

The ornamental design for a golf club head, as shown and described.

DESCRIPTION

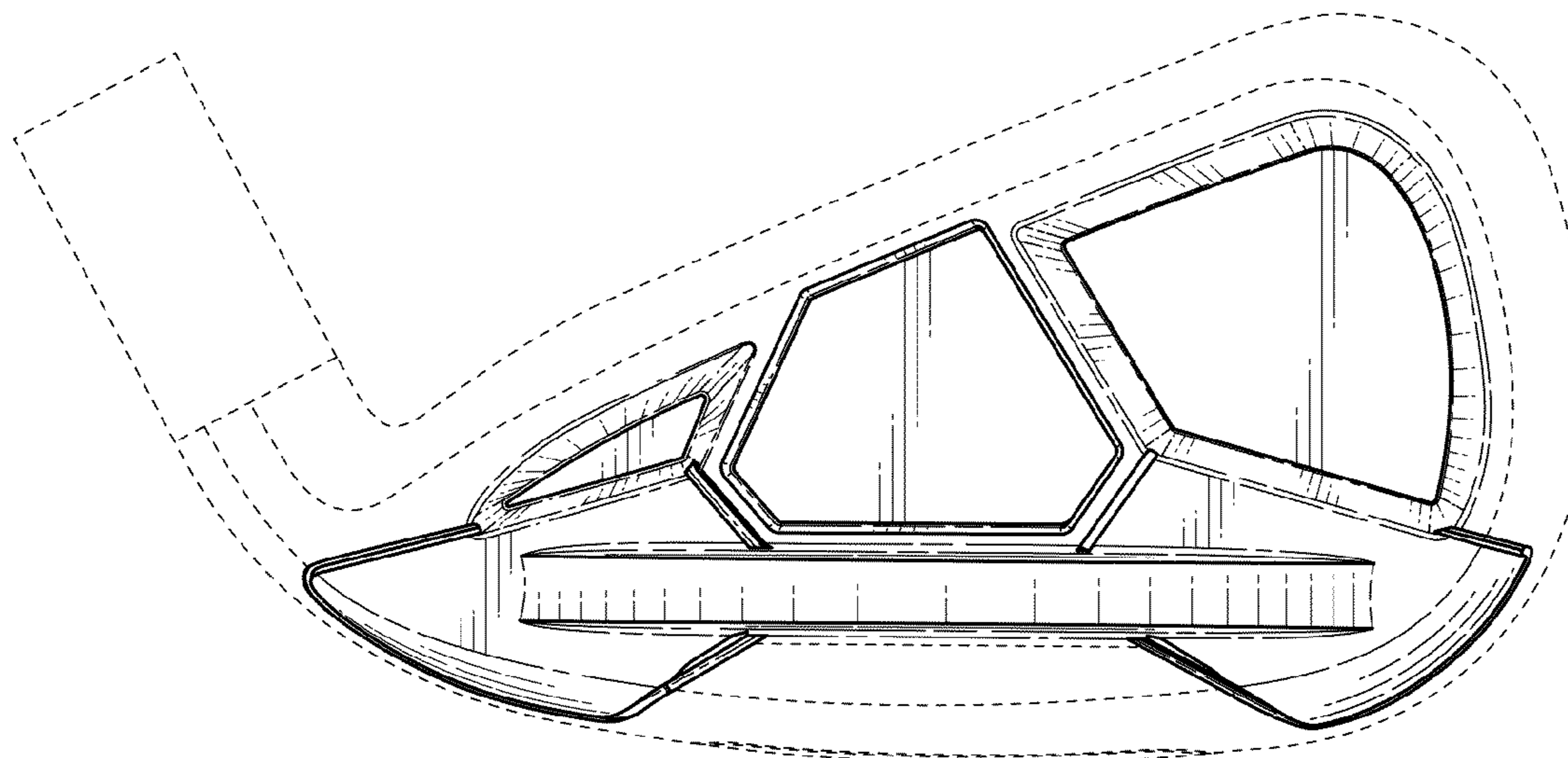
FIG. 1 is a perspective view of the golf club head herein;
 FIG. 2 is a front elevational view thereof;
 FIG. 3 is a rear elevational view thereof;
 FIG. 4 is a left side elevational view thereof;
 FIG. 5 is a right side elevational view thereof;
 FIG. 6 is a top plan view thereof; and,
 FIG. 7 is a bottom plan view thereof.
 The broken line showing of is included for the purpose of illustrating and forms no part of the claimed design.

1 Claim, 4 Drawing Sheets

(56) **References Cited**

U.S. PATENT DOCUMENTS

D487,492 S *	3/2004	Madore et al.	D21/759
D496,973 S *	10/2004	Wahl et al.	D21/749
D504,924 S *	5/2005	Madore et al.	D21/747



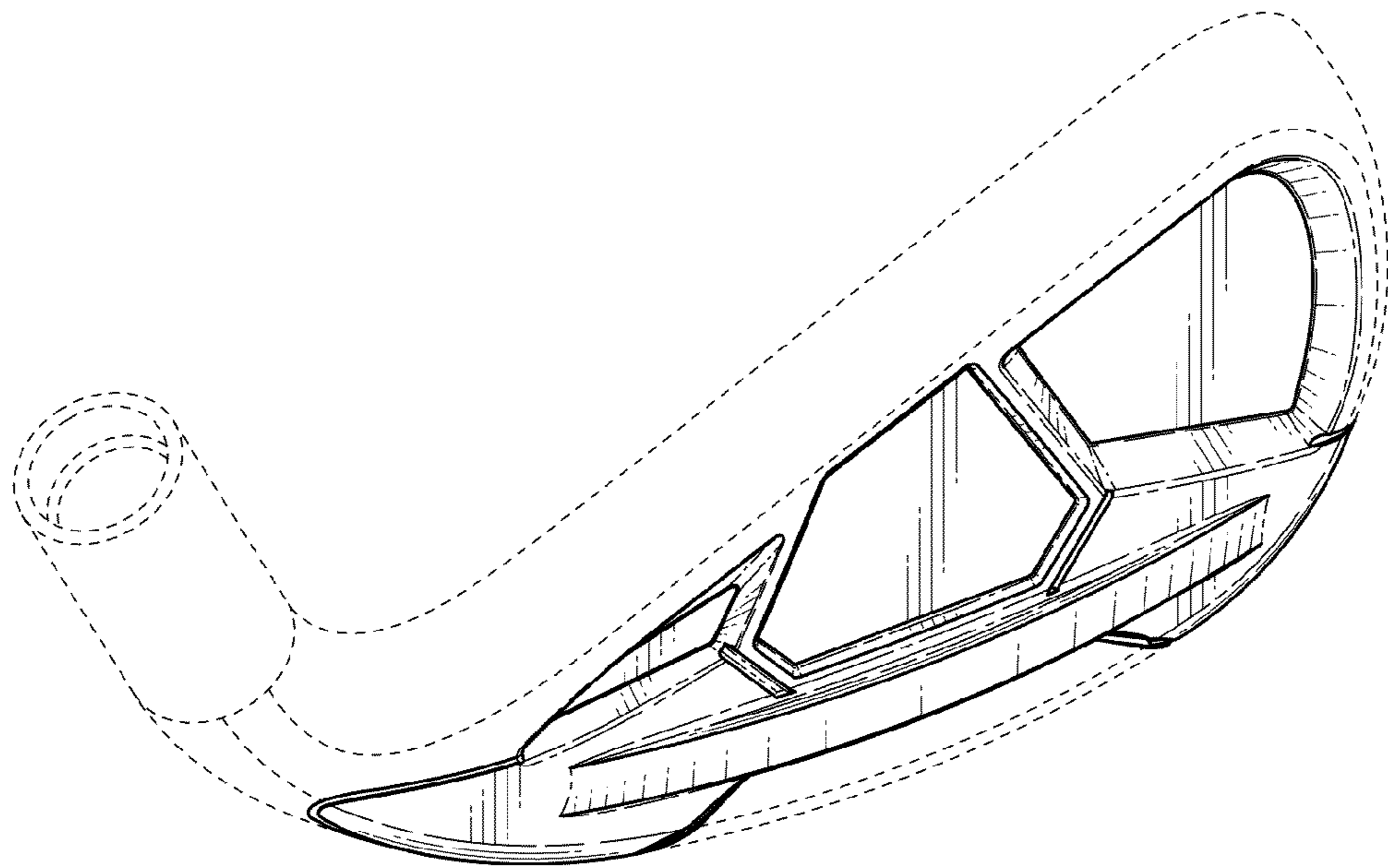


FIG. 1

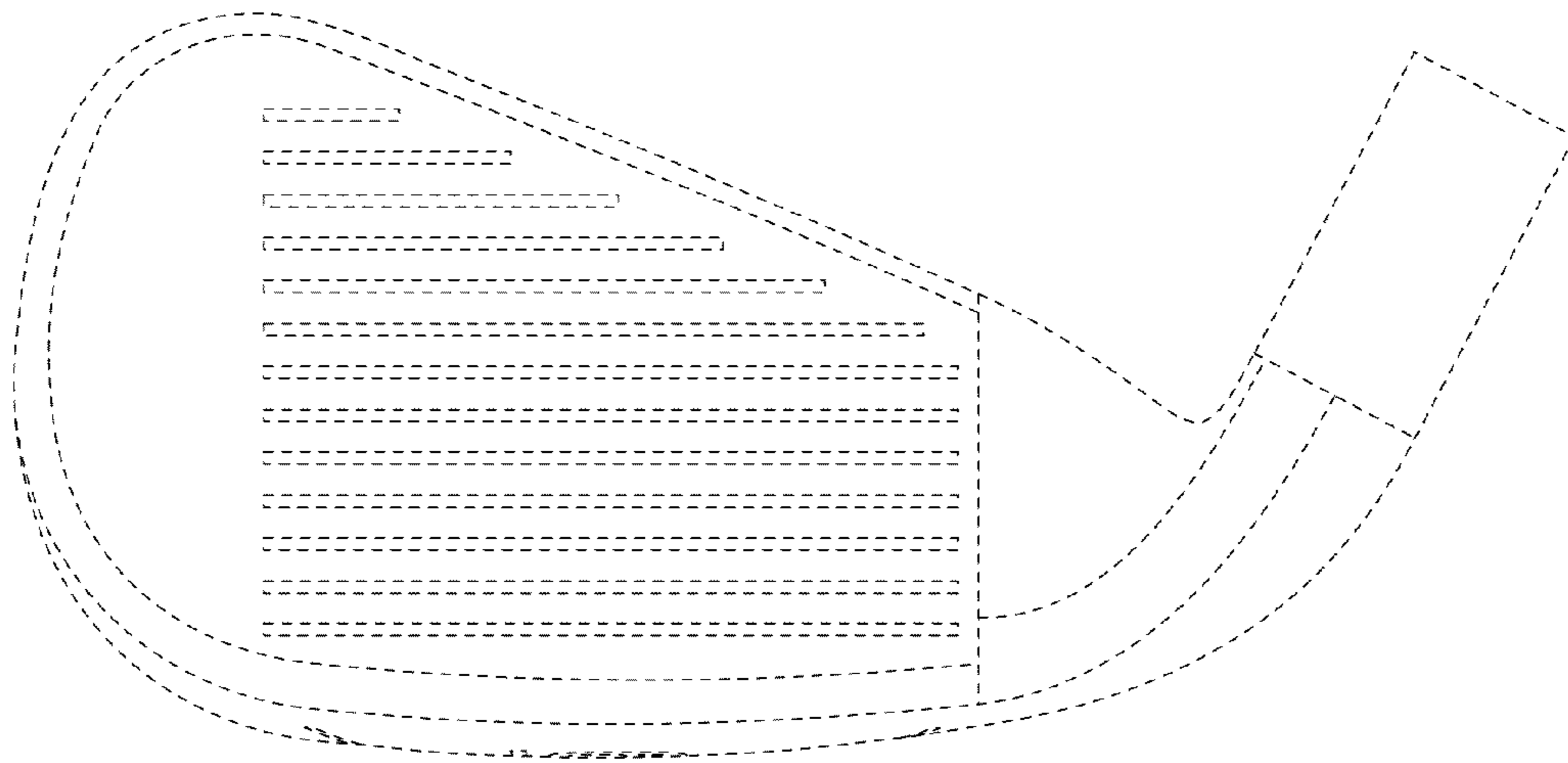


FIG. 2

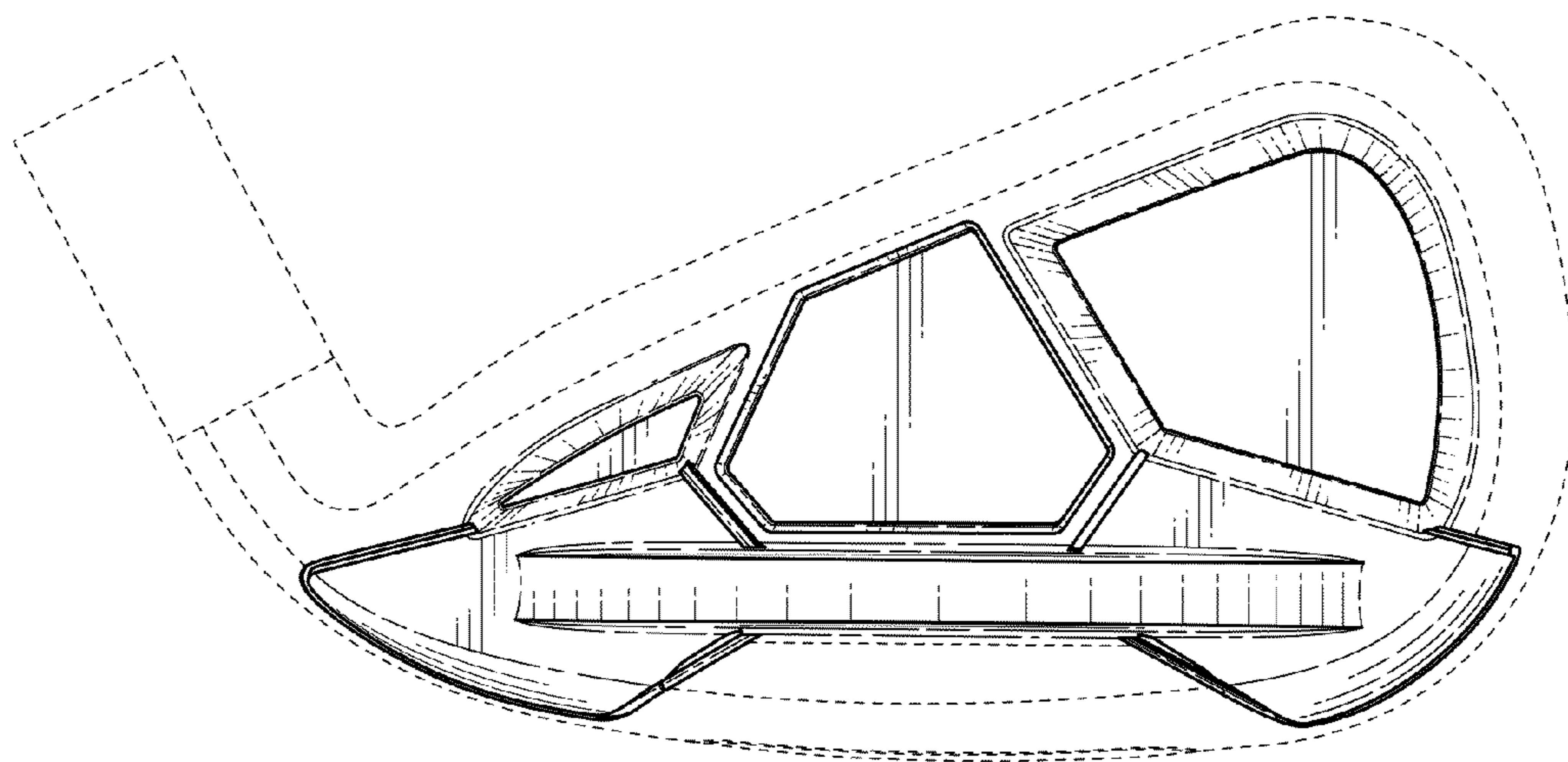


FIG. 3

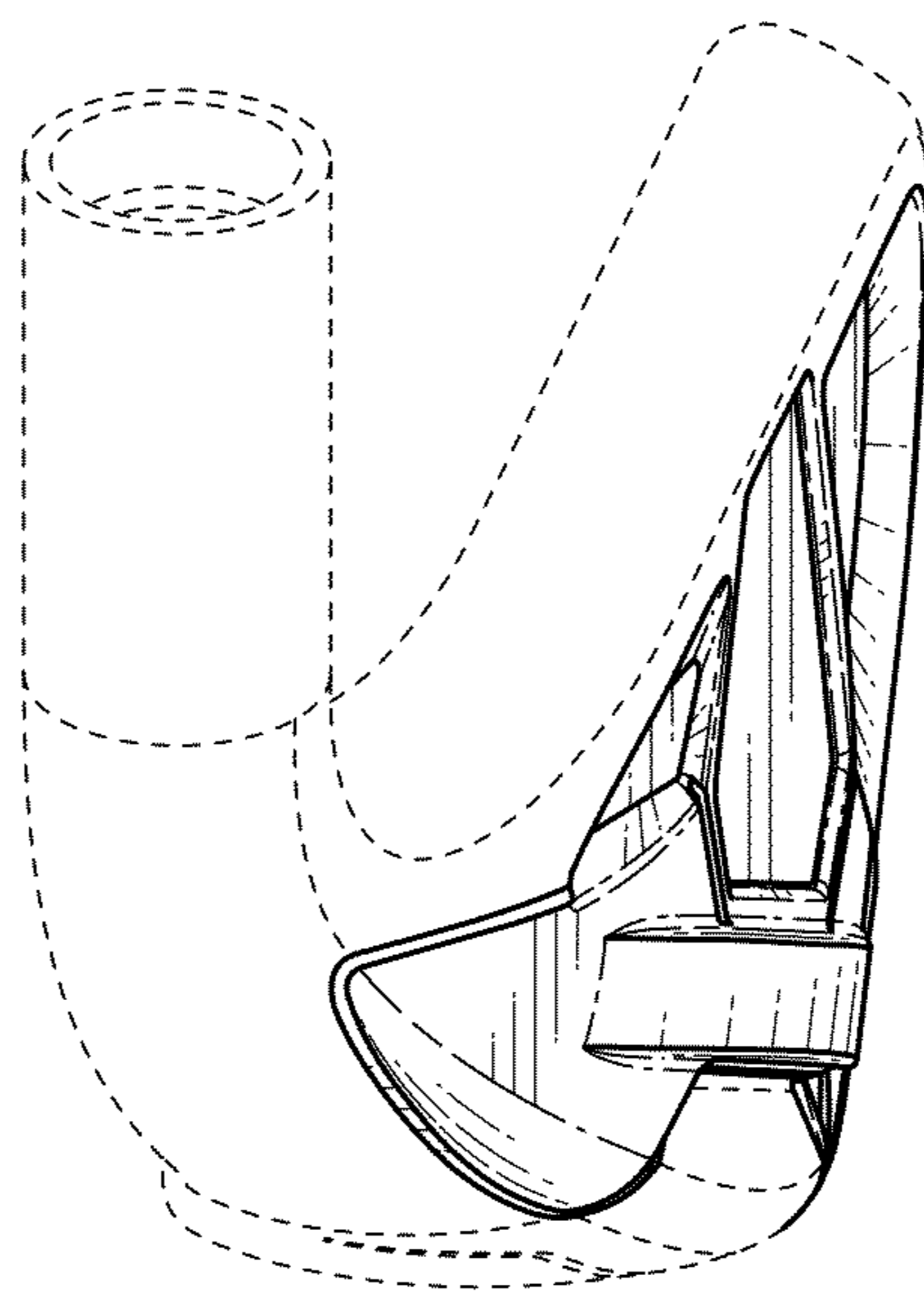


FIG. 4

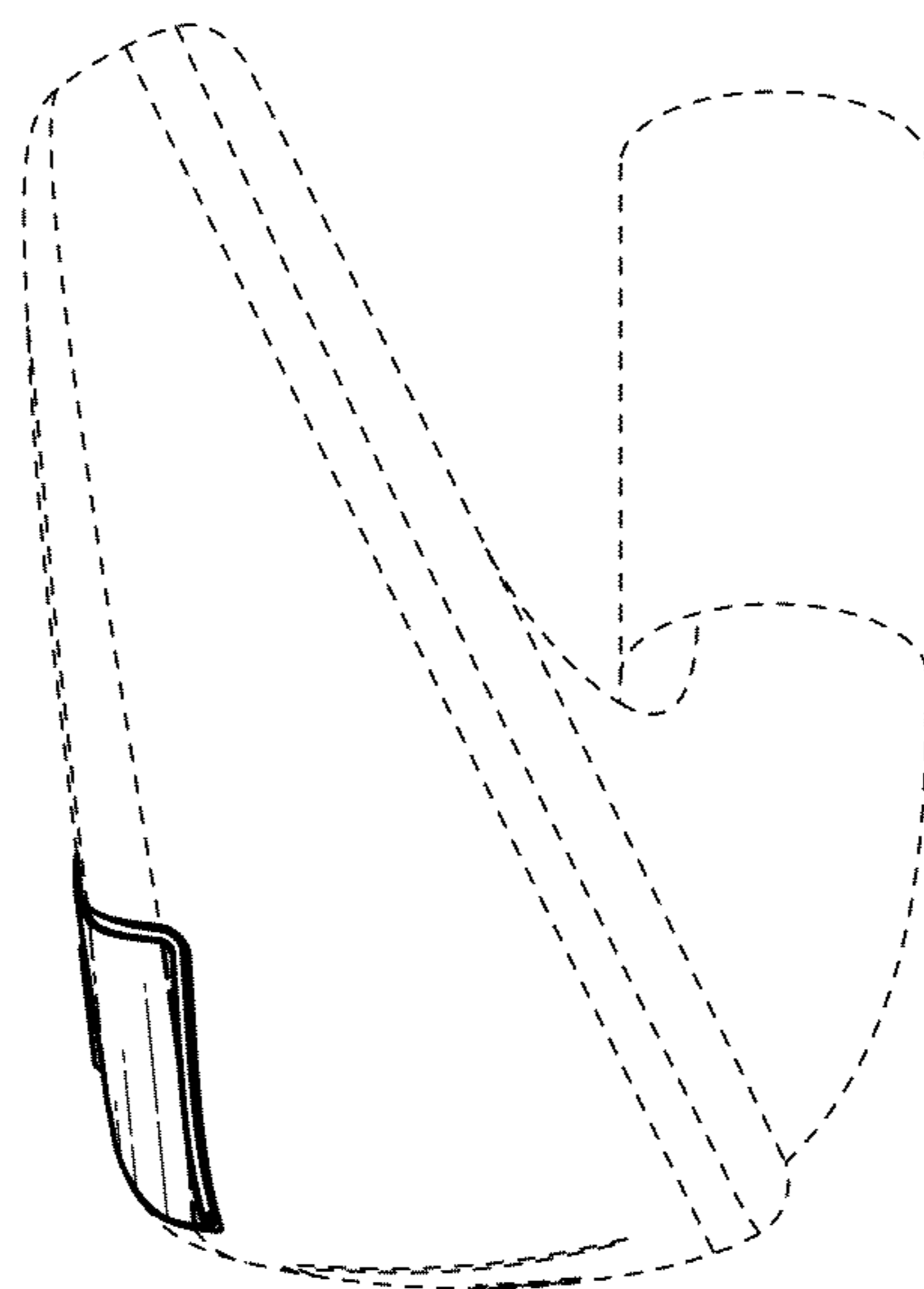


FIG. 5

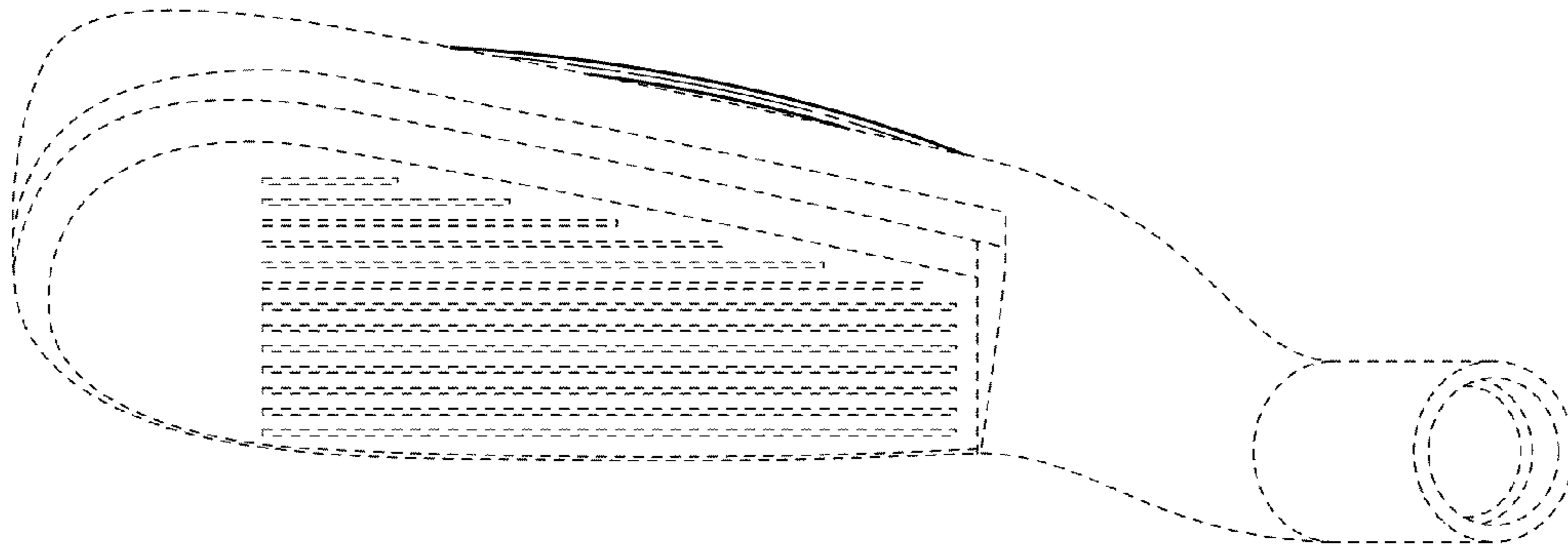


FIG. 6

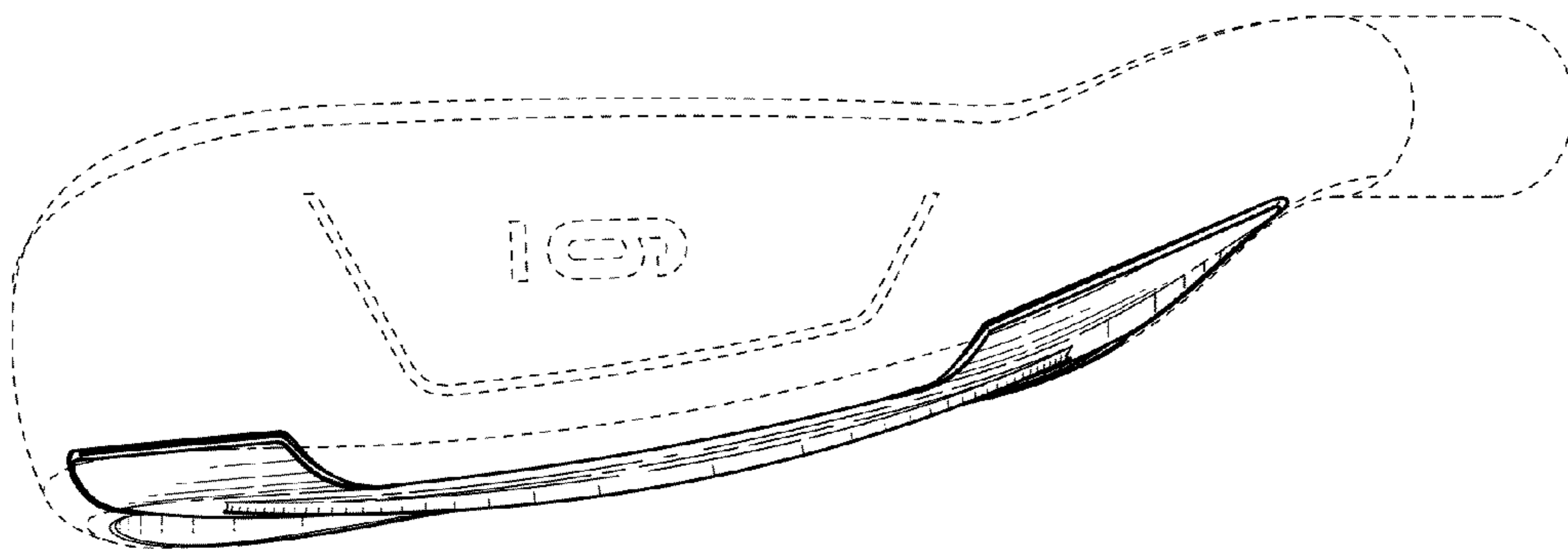


FIG. 7