



US00D725727S

(12) **United States Design Patent**
Maldonado

(10) **Patent No.:** **US D725,727 S**
(45) **Date of Patent:** **** Mar. 31, 2015**

- (54) **GOLF TEE**
- (71) Applicant: **Lucio Maldonado**, Downey, CA (US)
- (72) Inventor: **Lucio Maldonado**, Downey, CA (US)
- (**) Term: **14 Years**
- (21) Appl. No.: **29/506,377**
- (22) Filed: **Oct. 15, 2014**
- (51) **LOC (10) Cl.** **21-02**
- (52) **U.S. Cl.**
USPC **D21/717**
- (58) **Field of Classification Search**
USPC D21/715-721, 789-796, 782; 473/133,
473/172, 173, 174, 278, 284, 386-407, 417,
473/420
See application file for complete search history.

D346,416	S	*	4/1994	Cassidy	D21/717
5,368,294	A	*	11/1994	Mathey	473/419
D368,503	S	*	4/1996	Bess	D21/717
D372,289	S	*	7/1996	Whittaker	D21/790
6,312,342	B1	*	11/2001	Newsome	473/40
D529,116	S	*	9/2006	Hathcock	D21/782
D533,240	S	*	12/2006	Sovay	D21/717
D577,790	S	*	9/2008	Yovanovich et al.	D21/782
7,731,596	B1	*	6/2010	Yovanovich et al.	473/40
D631,523	S	*	1/2011	Pingalore	D21/789
D702,306	S	*	4/2014	Westley	D21/782

* cited by examiner

Primary Examiner — Catherine Tuttle
(74) *Attorney, Agent, or Firm* — Eric Karich

(57) **CLAIM**
The ornamental design for a golf tee, as shown and described.

DESCRIPTION

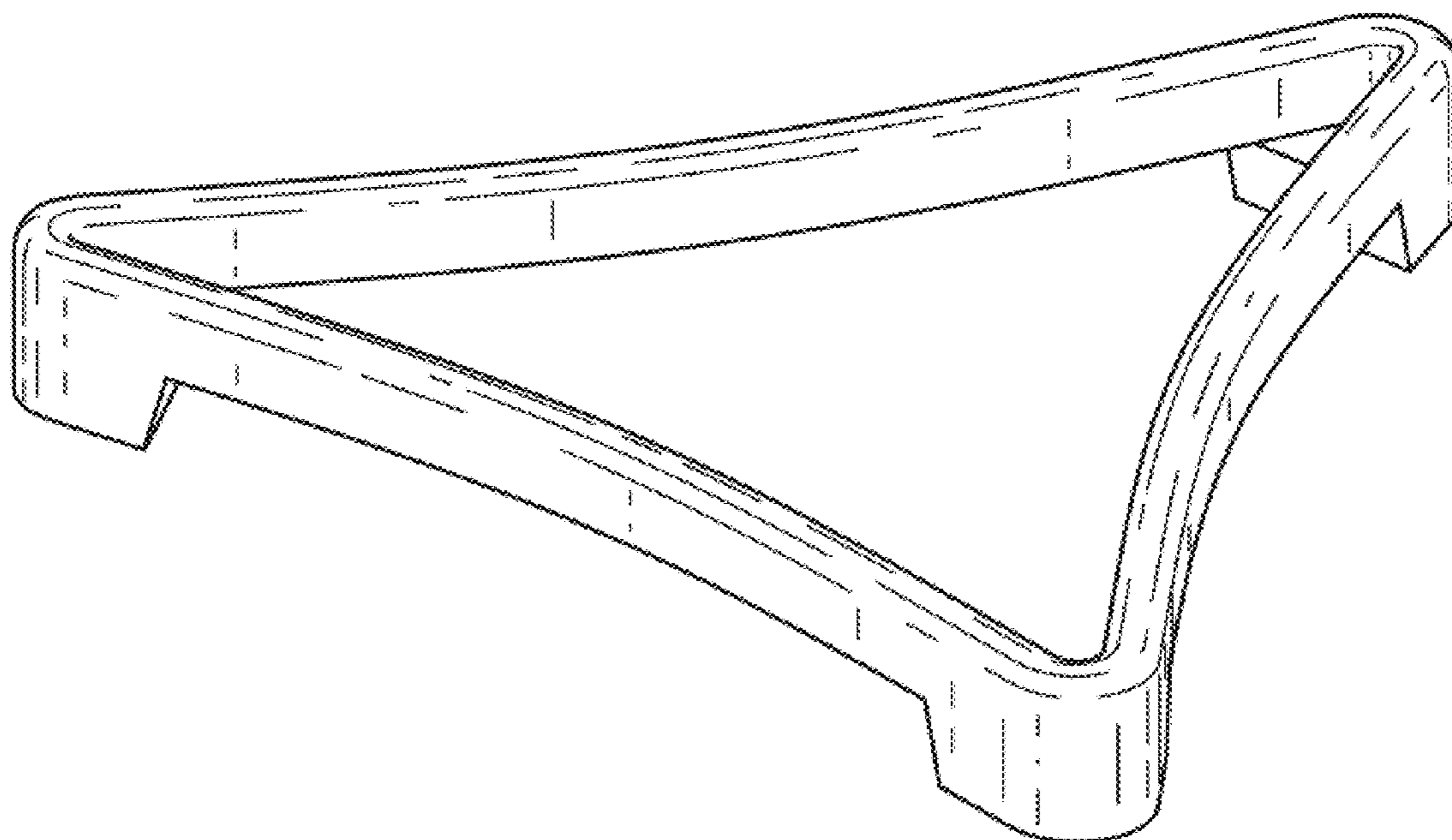
FIG. 1 is a perspective view of a golf tee, showing my new design;
 FIG. 2 is a front elevational view thereof;
 FIG. 3 is a rear elevational view thereof;
 FIG. 4 is a left side elevational view thereof
 FIG. 5 is a right side elevational view thereof;
 FIG. 6 is a top plan view thereof;
 FIG. 7 is a bottom plan view thereof;
 FIG. 8 is perspective view of the golf tee, illustrating a golf ball operably positioned on the golf tee; and,
 FIG. 9 is a front side elevational view thereof.
 The broken line showing of a golf ball is included for the purpose of illustrating environmental structure and forms no part of the claimed design.

1 Claim, 2 Drawing Sheets

(56) **References Cited**

U.S. PATENT DOCUMENTS

1,052,461	A	*	2/1913	Chase	473/40
1,299,471	A	*	4/1919	Hornbostel	473/40
1,583,830	A	*	5/1926	Hicks	473/257
1,599,310	A	*	9/1926	Wiley	473/388
1,635,376	A	*	7/1927	McIlvaine	473/388
1,692,233	A	*	11/1928	Van Patten	473/390
1,936,625	A	*	11/1933	Goldman	473/398
2,072,688	A	*	3/1937	Rose	473/388
D158,235	S	*	4/1950	Van Horne	D21/782
D159,558	S	*	8/1950	Sundell	D21/782
3,236,519	A	*	2/1966	Leigh	473/41
4,887,817	A	*	12/1989	Pelc	473/389



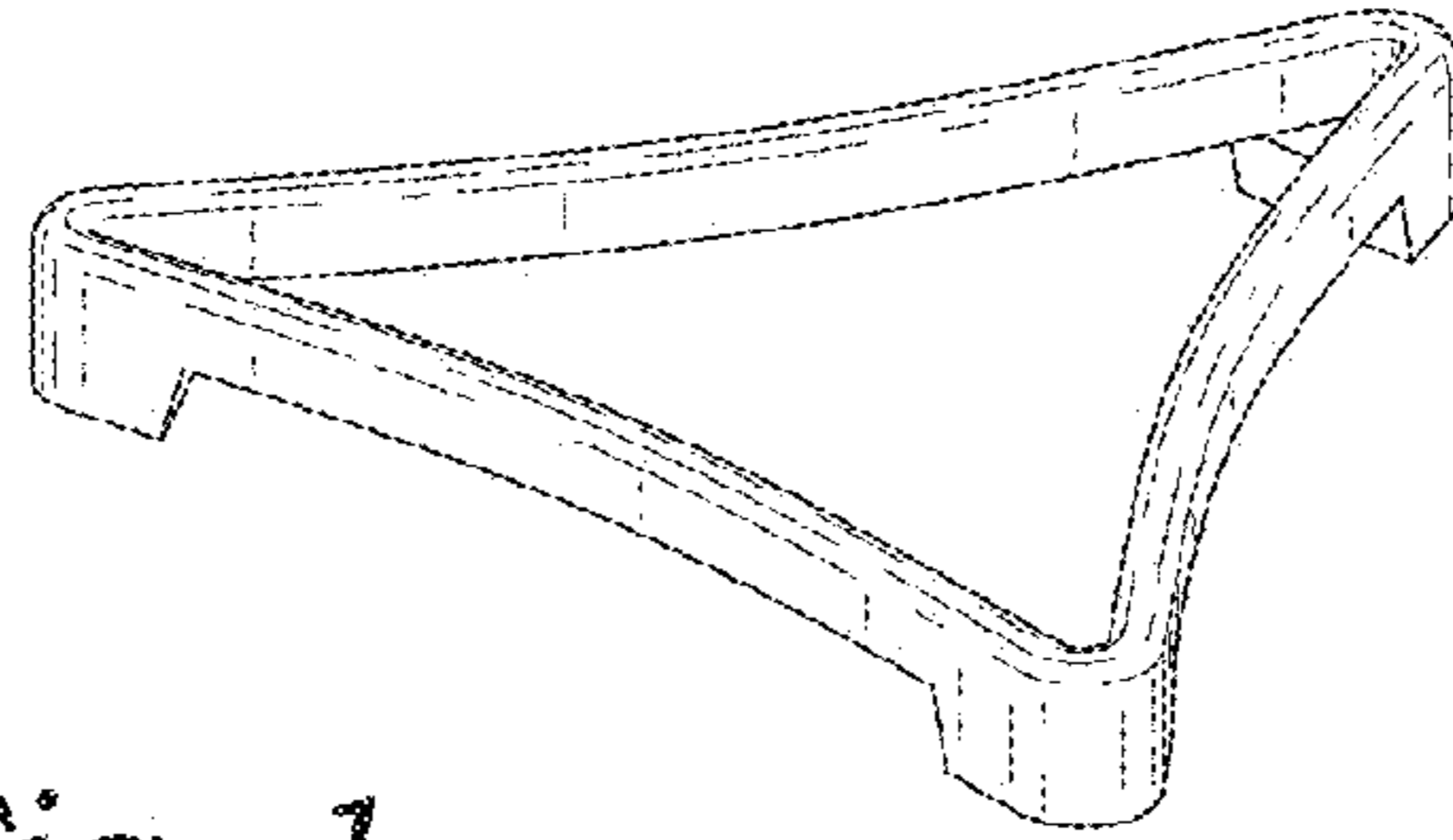


Fig. 1

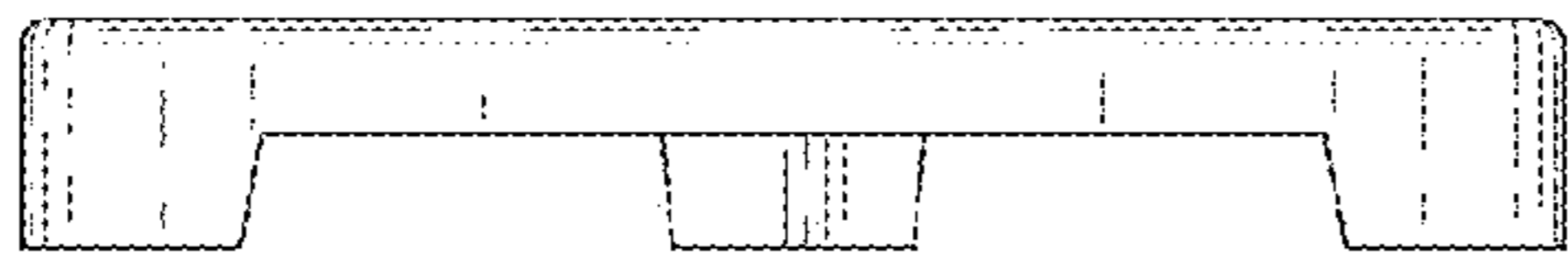


Fig. 2



Fig. 3

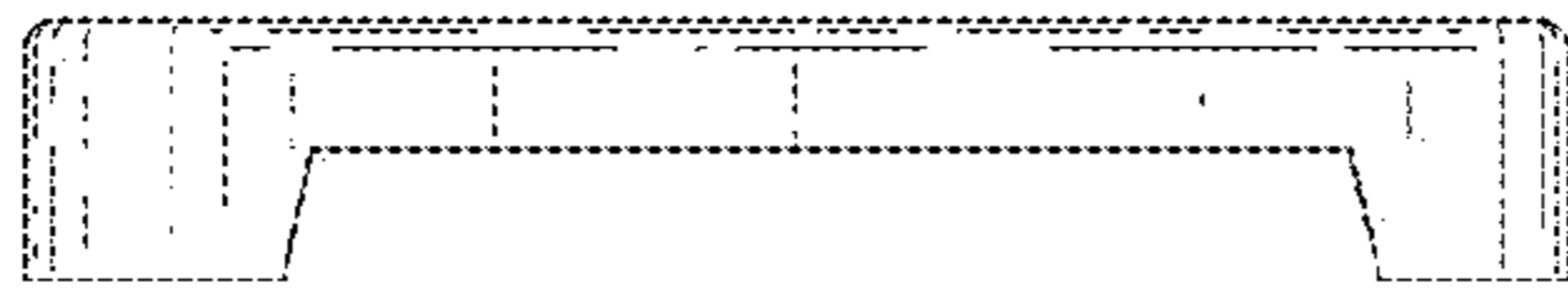


Fig. 4



Fig. 5

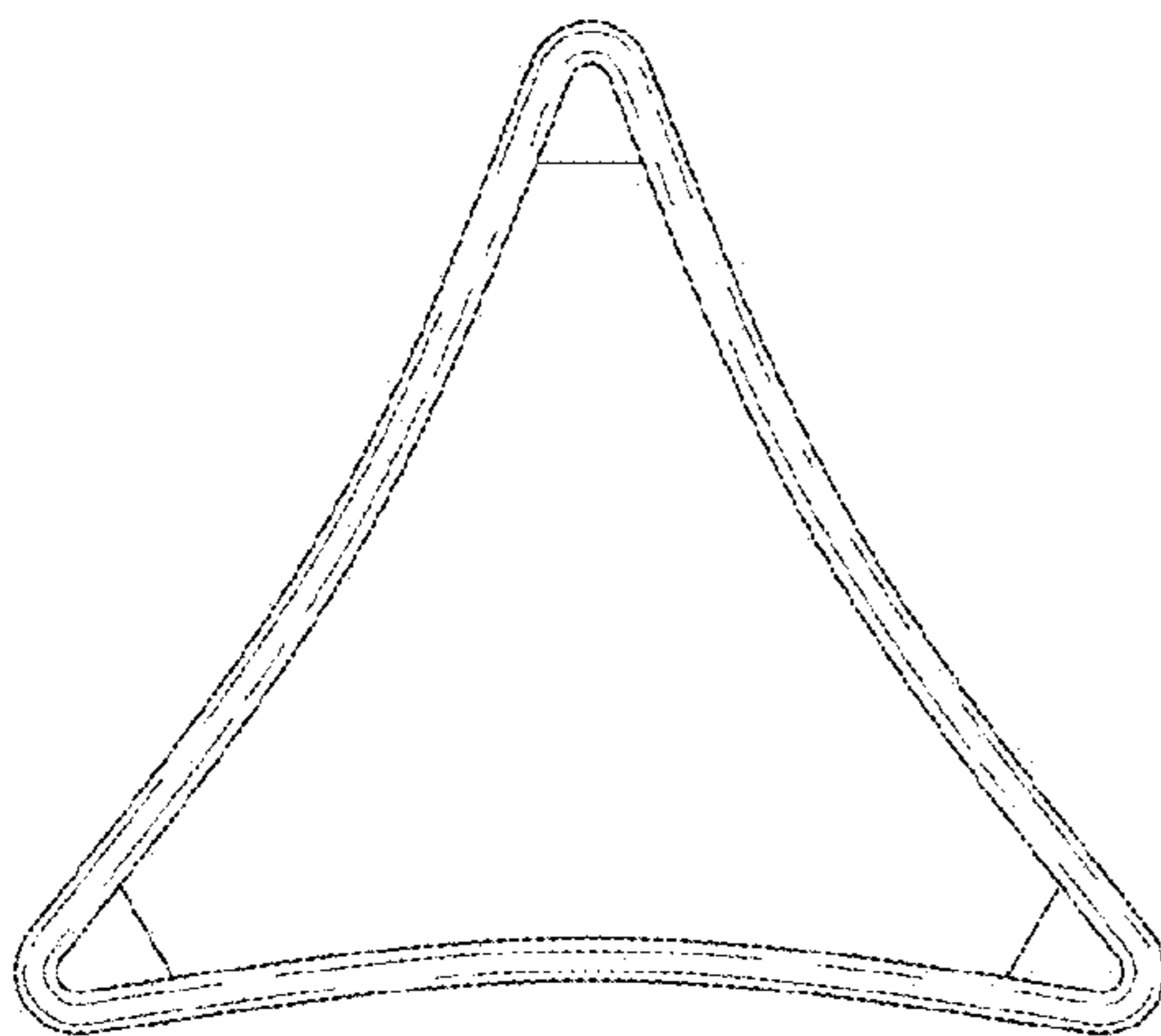


Fig. 6

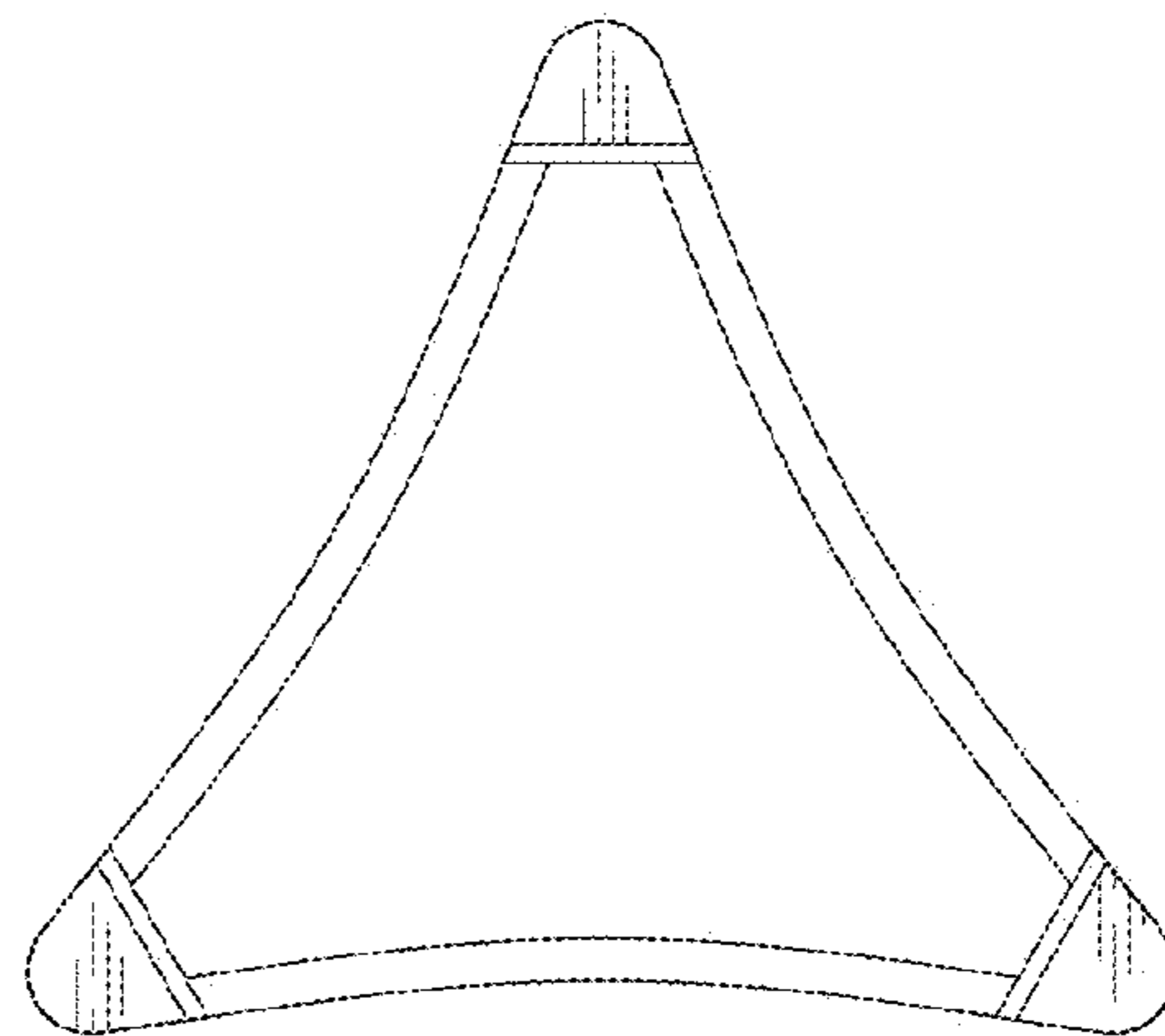


Fig. 7

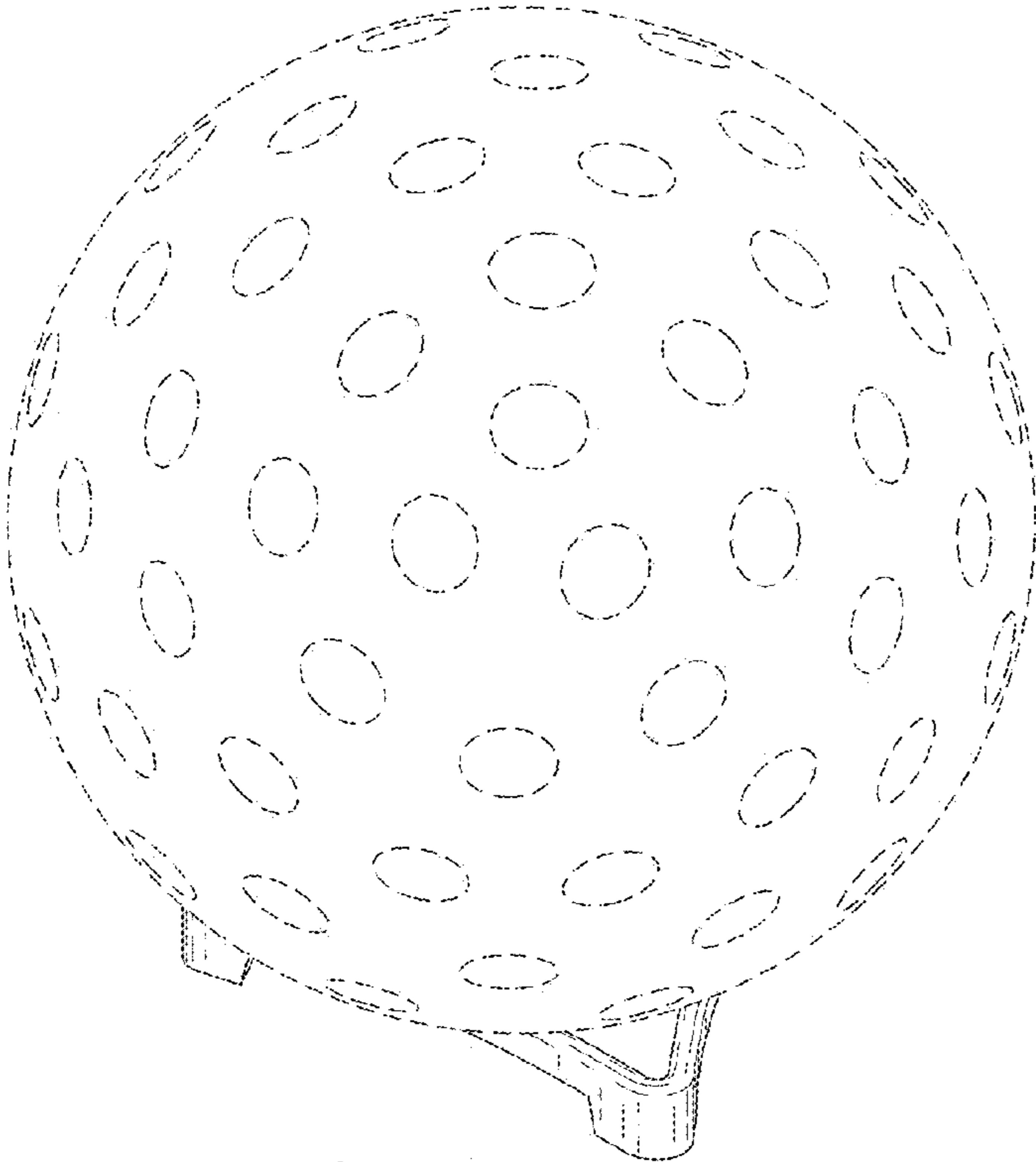


Fig. 8

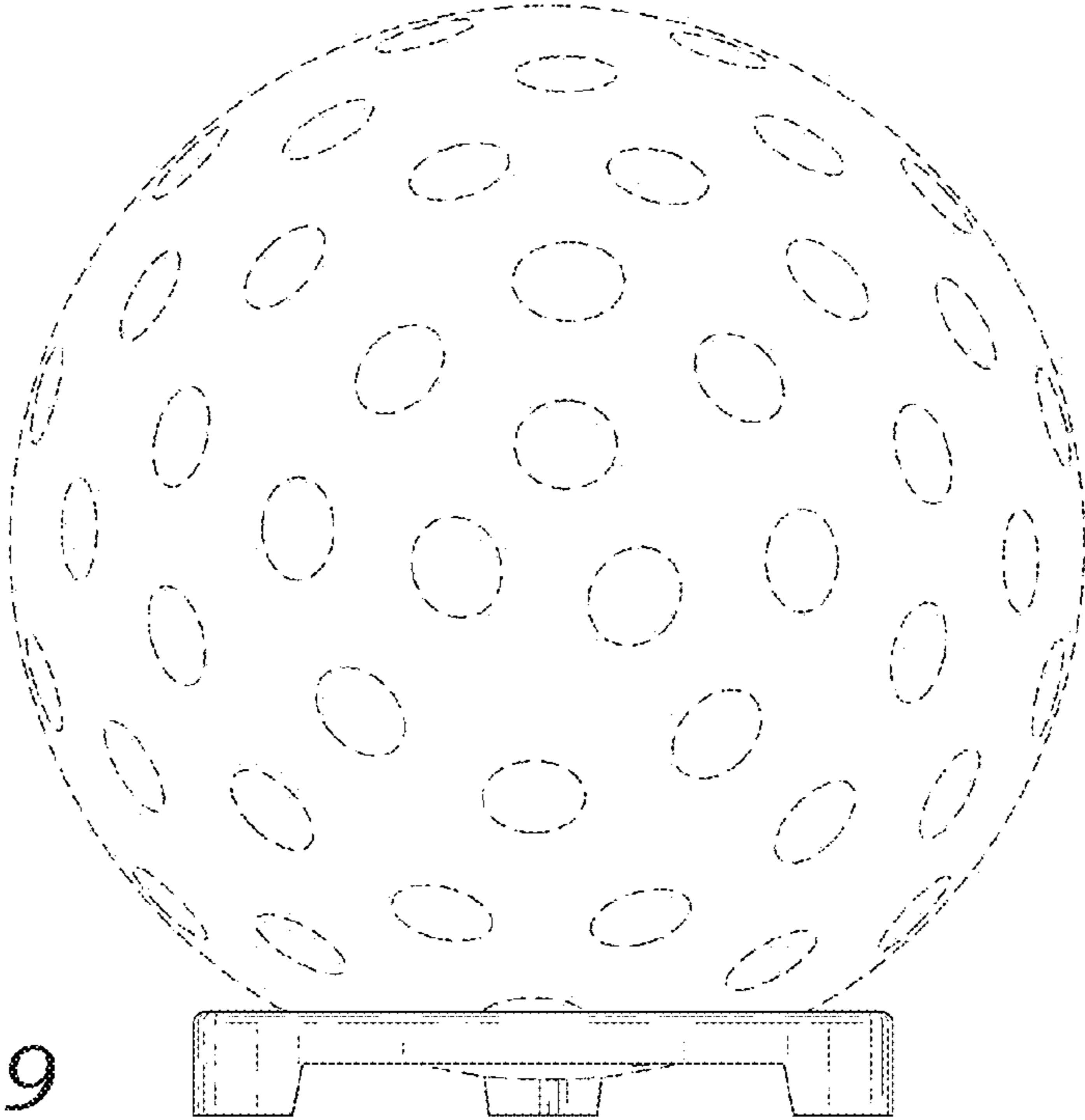


Fig. 9