



US00D725724S

(12) **United States Design Patent**  
**Bellantuono**

(10) **Patent No.:** **US D725,724 S**  
(45) **Date of Patent:** **\*\* Mar. 31, 2015**

- (54) **EXERCISE WEIGHT**
  - (71) Applicant: **Chelsea Bellantuono**, Countryside, IL (US)
  - (72) Inventor: **Chelsea Bellantuono**, Countryside, IL (US)
  - (73) Assignee: **Chelsea Bellantuono**, Countryside, IL (US)
  - (\*\*) Term: **14 Years**
  - (21) Appl. No.: **29/466,083**
  - (22) Filed: **Sep. 4, 2013**
  - (51) **LOC (10) Cl.** ..... **21-02**
  - (52) **U.S. Cl.**  
USPC ..... **D21/682**
  - (58) **Field of Classification Search**  
USPC ..... D21/680, 682, 681, 678, 662, 679, 684, D21/686; 482/108, 93, 110, 111, 105, 8, 482/107, 106, 139, 94, 104, 140, 109, 51, 482/70, 74, 98, 1, 121, 55; 164/112, 76.1; D9/680; D8/85, 45, 107, 90, 317, 387, D8/397, 343, 331; D3/210, 211; D22/112; D11/81; 42/94, 72; 99/349, 350, 351, 99/372, 374, 377, 379, 427, 448, 450; 100/104, 110, 193, 194, 195; 219/732, 219/733, 734; 426/513, 517, 646; 135/65; 280/819; D12/317, 316; 15/235.4, 15/244.1; 446/153; 441/129; 70/21, 20, 70/22, 31, 53; 411/400, 405, 919, 389, 411/311, 386; 405/288, 259.1, 302.2; 24/277; 285/382.2, 420, 197, 199; 224/268; 248/339, 175, 340, 302, 303, 248/74.1, 219.4, 230.3, 62
- See application file for complete search history.

- 4,351,525 A \* 9/1982 Rozenblad ..... 482/141
- D305,718 S \* 1/1990 Ashcraft ..... D8/14
- D392,711 S \* 3/1998 Decker ..... D21/678
- D418,803 S \* 1/2000 Klimenko ..... D12/316
- 6,583,370 B2 6/2003 Stoneberg
- D491,777 S \* 6/2004 Wensch ..... D8/45
- D525,508 S \* 7/2006 Leonard, II ..... D8/90
- 7,097,601 B1 8/2006 Ronnow
- D542,213 S \* 5/2007 Rodriguez ..... D12/317
- D576,693 S \* 9/2008 Khubani ..... D21/686
- D579,503 S \* 10/2008 Hauser et al. .... D21/662
- D585,947 S \* 2/2009 Royster ..... D21/662
- D593,168 S \* 5/2009 Khubani ..... D21/662
- D602,753 S \* 10/2009 McLaughlin ..... D8/45
- D631,106 S \* 1/2011 Zemel ..... D21/662

(Continued)

**OTHER PUBLICATIONS**

- Adidas Medicine Ball with Handles; <http://www.walmart.com/ip/adidas-Medicine-Ball-with-Handles/22623927>.
- Century® Double Handle 16 lb. Medicine Ball; [http://www.academy.com/webapp/wcs/stores/servlet/Product\\_10151\\_10051\\_393516\\_-1](http://www.academy.com/webapp/wcs/stores/servlet/Product_10151_10051_393516_-1).
- Bodymax Double Handle Medicine Balls; <http://www.powerhouse-fitness.co.uk/bodymax-double-handle-medicine-balls.php>.

(Continued)

*Primary Examiner* — Robert M Spear  
*Assistant Examiner* — Ryan Harvey  
 (74) *Attorney, Agent, or Firm* — Levenfeld Pearlstein, LLC

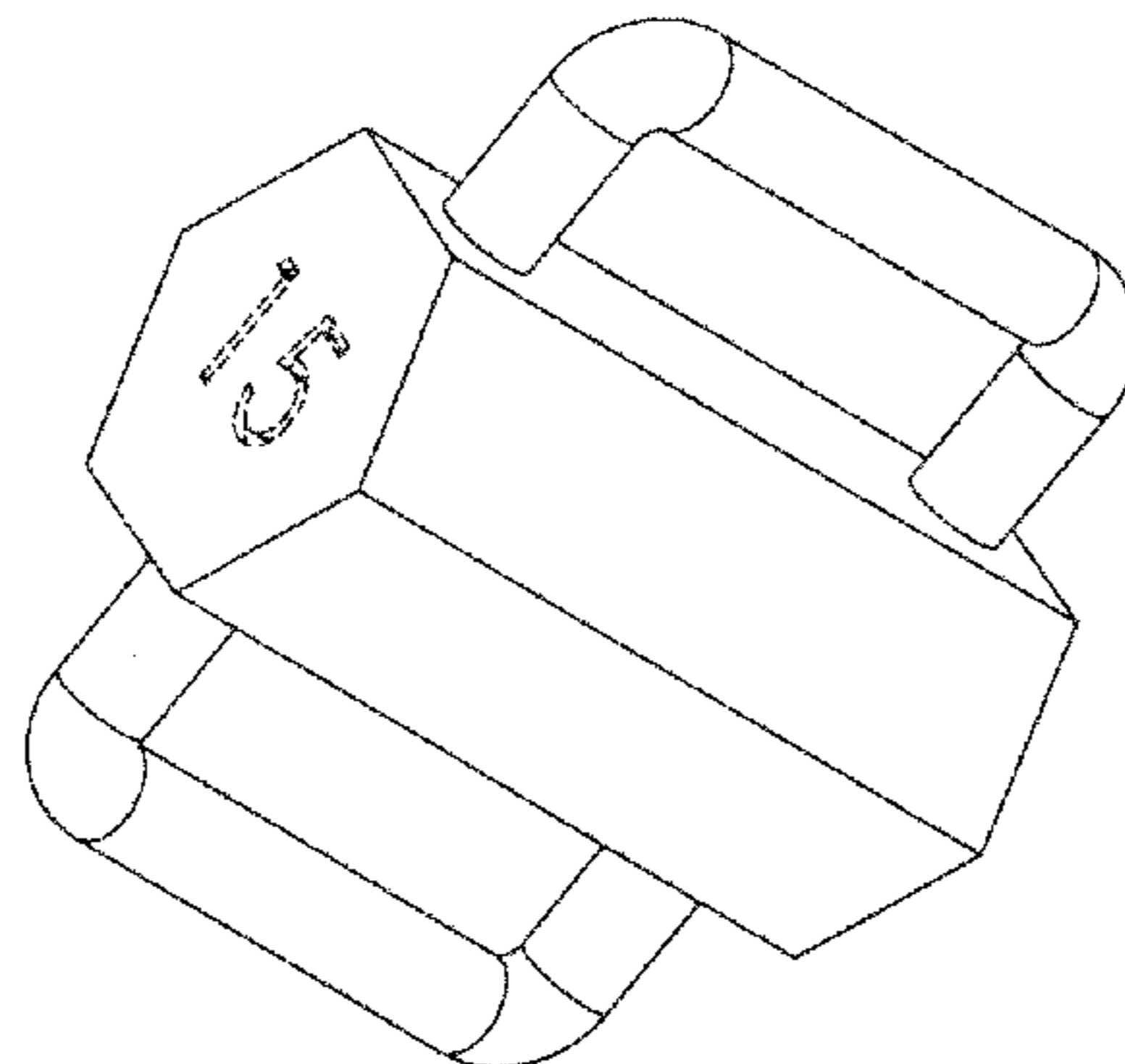
(57) **CLAIM**  
 What is claimed is the ornamental design for an exercise weight, as shown and described.

**DESCRIPTION**

FIG. 1 depicts the left side view of the exercise weight, the right side view being identical thereto;  
 FIG. 2 depicts the front view of the exercise weight, the back view being identical thereto;  
 FIG. 3 depicts the top view of the exercise weight, the bottom view being identical thereto; and,  
 FIG. 4 is a perspective view of the weight.  
 In the drawings, the broken lines depict indicia that form no part of the claim.

**1 Claim, 4 Drawing Sheets**

- (56) **References Cited**  
 U.S. PATENT DOCUMENTS  
 2,998,087 A \* 8/1961 Iddings ..... 173/102  
 3,010,133 A \* 11/1961 Hurd ..... 15/235.4



(56)

**References Cited**

U.S. PATENT DOCUMENTS

7,966,928	B2 *	6/2011	Hill	99/349
D649,987	S *	12/2011	Dunnahoe	D15/139
D658,953	S *	5/2012	Wilson	D8/14
D662,997	S *	7/2012	Su	D21/662
D666,684	S *	9/2012	Meininger et al.	D21/662
D671,998	S *	12/2012	Rodriguez, Jr.	D21/686
D685,038	S *	6/2013	Crain et al.	D21/662
2005/0246974	A1 *	11/2005	Anderson	52/155
2011/0287903	A1	11/2011	Mathews	
2012/0046148	A1	2/2012	Aguila	
2012/0252641	A1 *	10/2012	Odneal et al.	482/108
2014/0141949	A1 *	5/2014	Mills et al.	482/140

OTHER PUBLICATIONS

Medicine Ball with handles Fighter; <http://www.fighters-europe.com/medicine-ball--with-handles-fighter-traditional-item-8461>.  
 ISO Solid Handle Medicine Ball; <http://www.flipkart.com/iso-solid-handle-medicine-ball/p/itm4m4gm4kh9z7z?pid=BALDM4MGFG55GRG2>.  
 Hexagonal Weight; <http://www.amazon.com/Hexagonal-Weight-1000g/dp/B007TIQLYA>.  
 Kamagon; <http://irobic.co.uk/index.php/performance/kamagon.html>.  
 BBE 4kg Double Grip Medicine Ball; <http://www.comparestoreprices.co.uk/keep-fit/bbe-4kg-double-grip-medicine-ball.asp>.

\* cited by examiner

Fig. 1

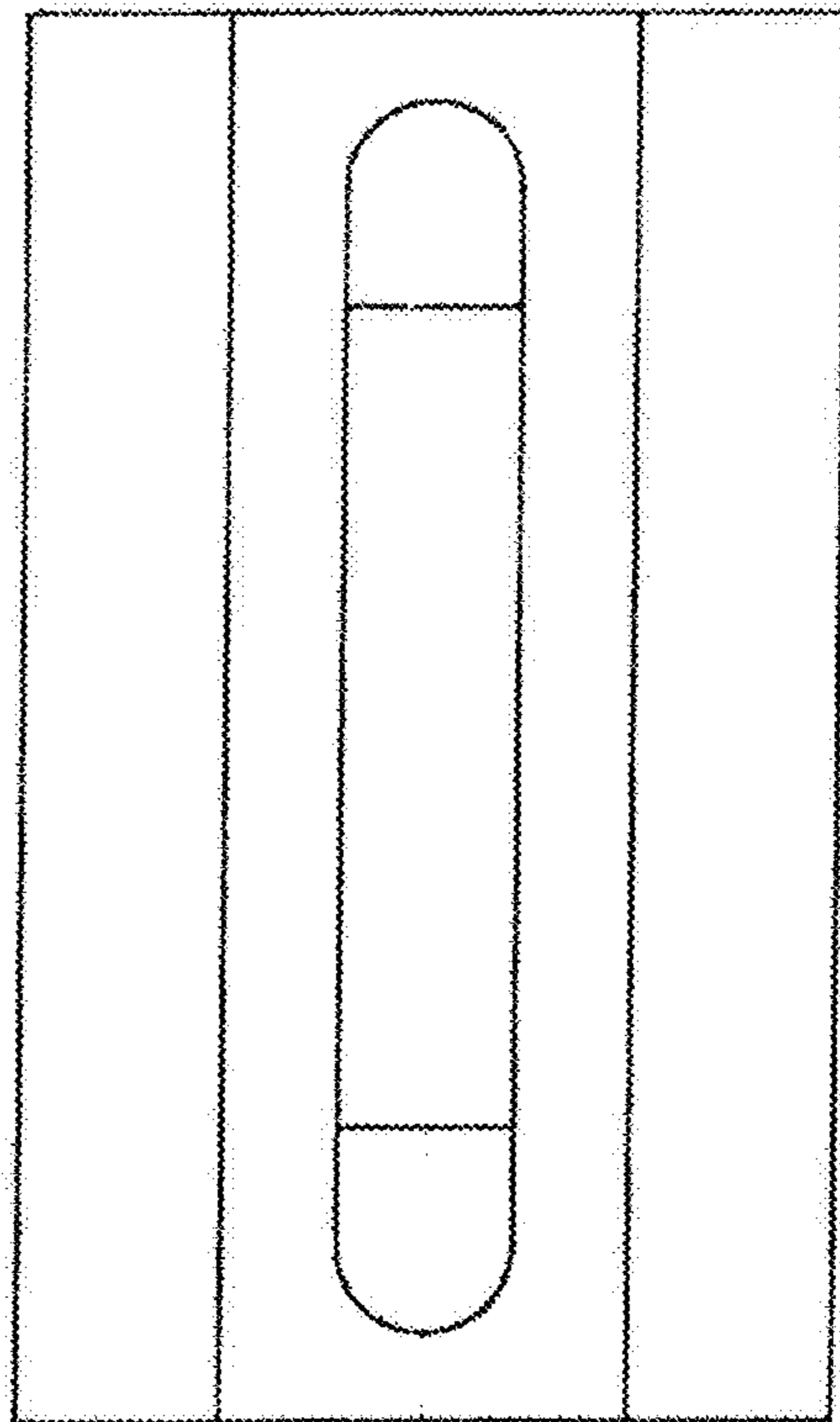


Fig. 2

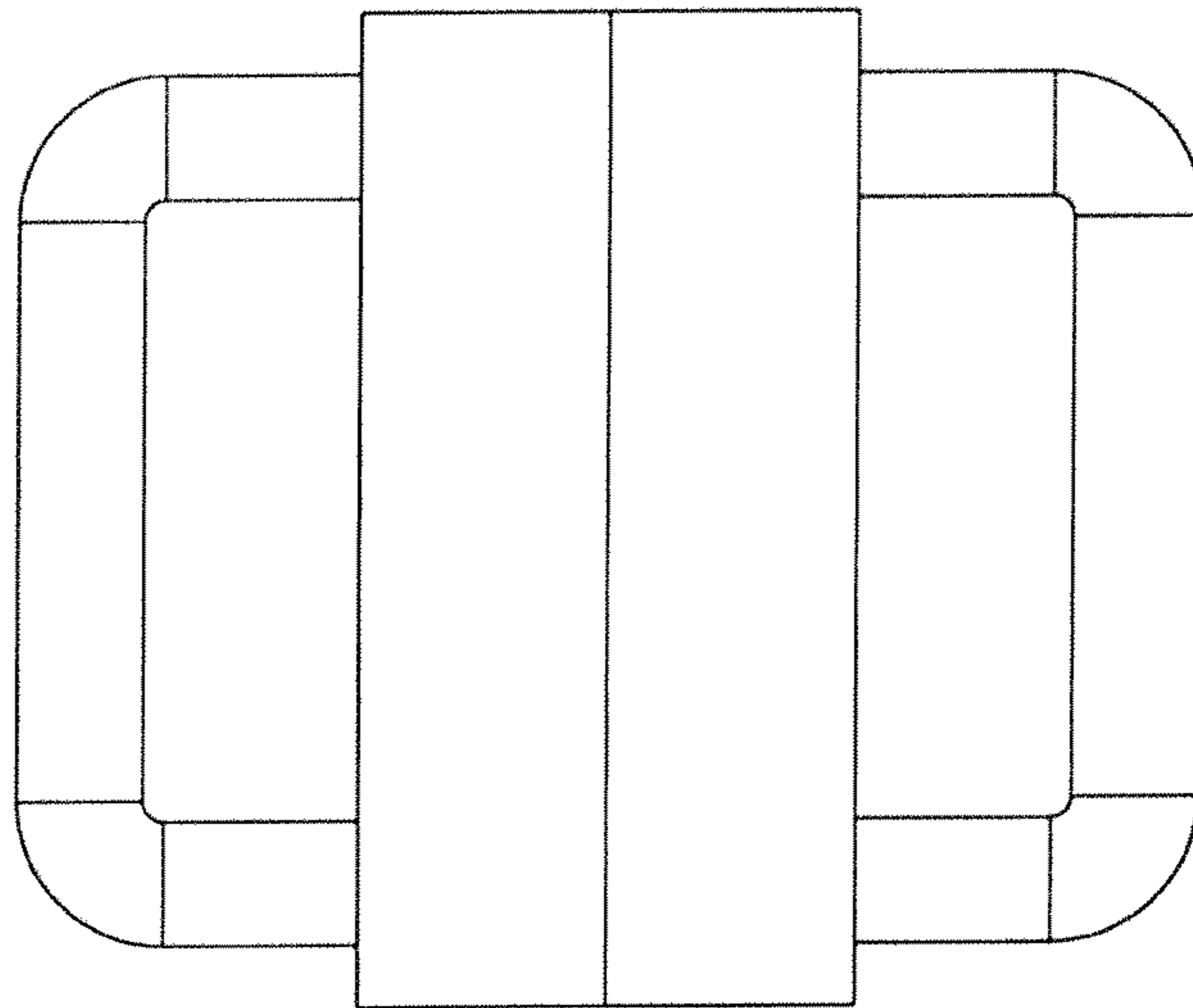


Fig. 3

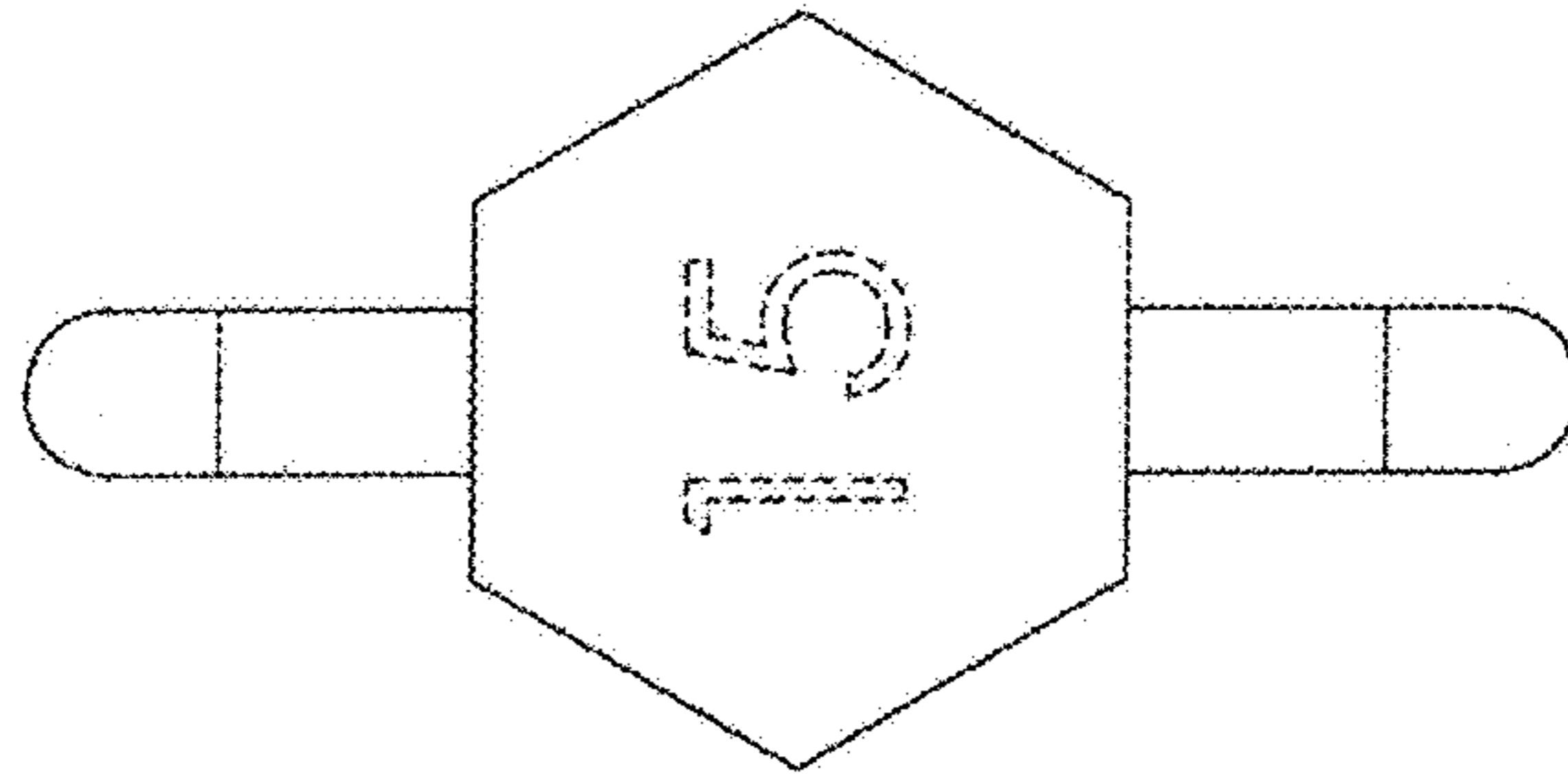
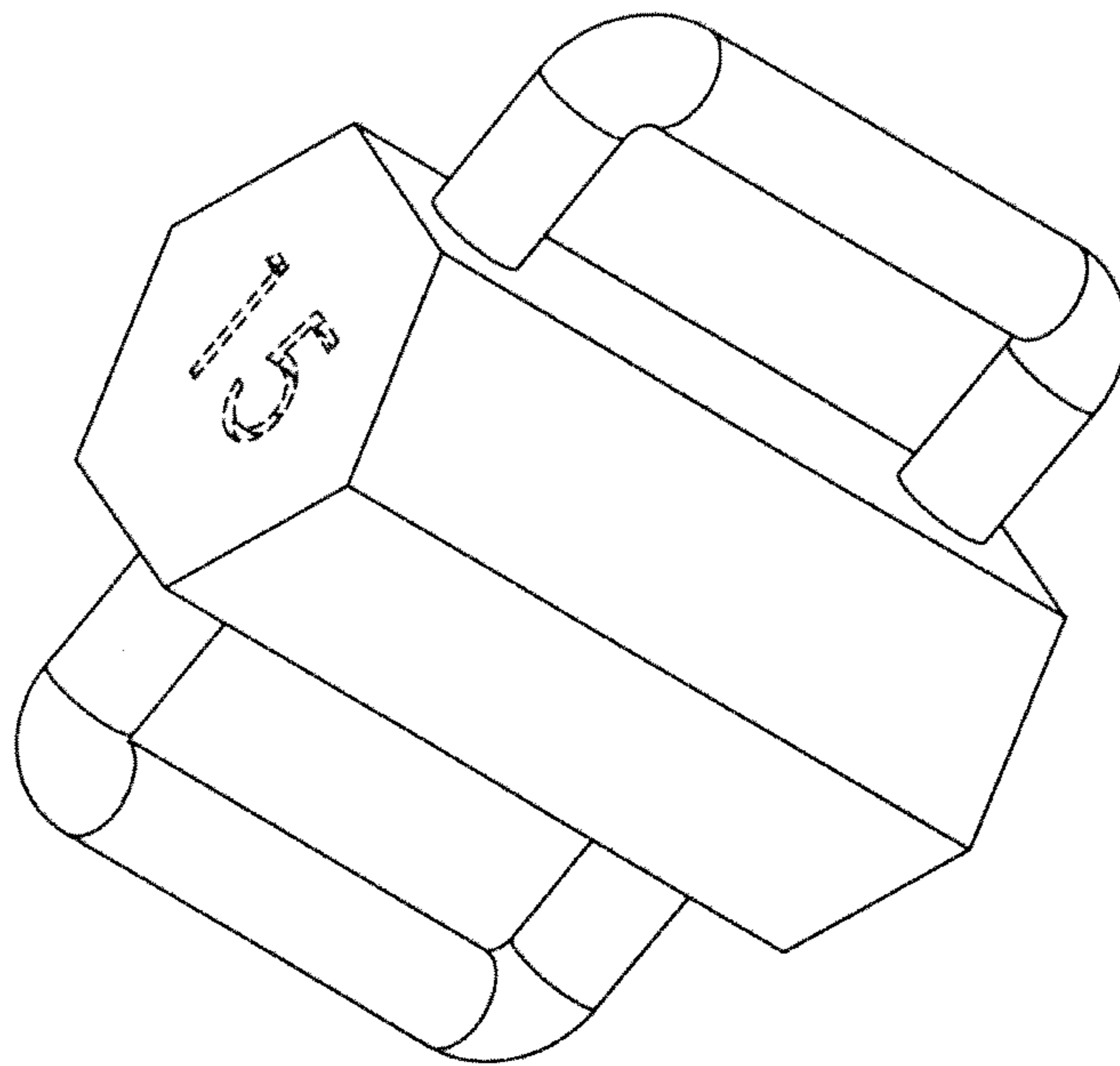


Fig. 4



UNITED STATES PATENT AND TRADEMARK OFFICE  
**CERTIFICATE OF CORRECTION**

PATENT NO. : D725,724 S  
APPLICATION NO. : 29/466083  
DATED : March 31, 2015  
INVENTOR(S) : Chelsea Bellantuono

Page 1 of 1

It is certified that error appears in the above-identified patent and that said Letters Patent is hereby corrected as shown below:

Title page under item (57),

“Claim”, column 2, line 2, “weight,” to read as --weight--.

“Description”, column 2, line 6, “thereto; and,” to read as --thereto;--.

Signed and Sealed this  
Seventeenth Day of November, 2015



Michelle K. Lee  
*Director of the United States Patent and Trademark Office*