



US00D725722S

(12) **United States Design Patent**
Conaway

(10) **Patent No.:** **US D725,722 S**
(45) **Date of Patent:** **** Mar. 31, 2015**

(54) **WEIGHT LIFTING DEVICE WITH
RELEASABLE MIDDLE BAR AND
INTERCHANGEABLE SQUAT BAR
ATTACHMENT**

(71) Applicant: **James Darrell Conaway**, Plainville, GA
(US)

(72) Inventor: **James Darrell Conaway**, Plainville, GA
(US)

(**) Term: **14 Years**

(21) Appl. No.: **29/463,172**

(22) Filed: **Aug. 19, 2013**

(51) **LOC (10) Cl.** **21-02**

(52) **U.S. Cl.**
USPC **D21/679**

(58) **Field of Classification Search**
USPC D21/662, 679, 688-691; 482/35, 36,
482/38-41, 92-101, 104-108, 110, 114,
482/118, 121-124, 130, 146, 148
See application file for complete search history.

(56) **References Cited**

U.S. PATENT DOCUMENTS

D348,706	S	*	7/1994	Harrell	D21/691
5,468,203	A		11/1995	Okonkwo		
D381,715	S		7/1997	Reeder		
5,957,818	A	*	9/1999	Betournay	482/105
5,967,948	A	*	10/1999	Carr	482/93
D504,164	S		4/2005	Ceppo		
7,731,631	B2		6/2010	Collias		
D667,901	S	*	9/2012	Garcia Chavez	D21/679

D682,955	S	*	5/2013	Stephan	D21/679
D685,865	S	*	7/2013	Kuhn	D21/679
8,808,147	B2	*	8/2014	Gillespie et al.	482/39
2001/0034289	A1	*	10/2001	Parrillo	482/94
2007/0203002	A1	*	8/2007	Webber	482/104
2013/0178338	A1	*	7/2013	Ross	482/40
2013/0244836	A1	*	9/2013	Maughan et al.	482/40
2014/0128228	A1	*	5/2014	Bonomi	482/98

* cited by examiner

Primary Examiner — George D Kirschbaum

Assistant Examiner — Jennifer Watkins

(74) *Attorney, Agent, or Firm* — Suzanne Kikel

(57) **CLAIM**

The ornamental design for a weight lifting device with a releasable middle bar and an interchangeable squat bar attachment, as shown and described.

DESCRIPTION

FIG. 1 is a perspective view of a weight lifting device with a releasable middle bar and an interchangeable squat bar attachment, showing my new design.

FIG. 2 is a left side elevation view of the design of FIG. 1, where the right side elevation view is a mirror image thereof.

FIG. 3 is a front elevation view thereof.

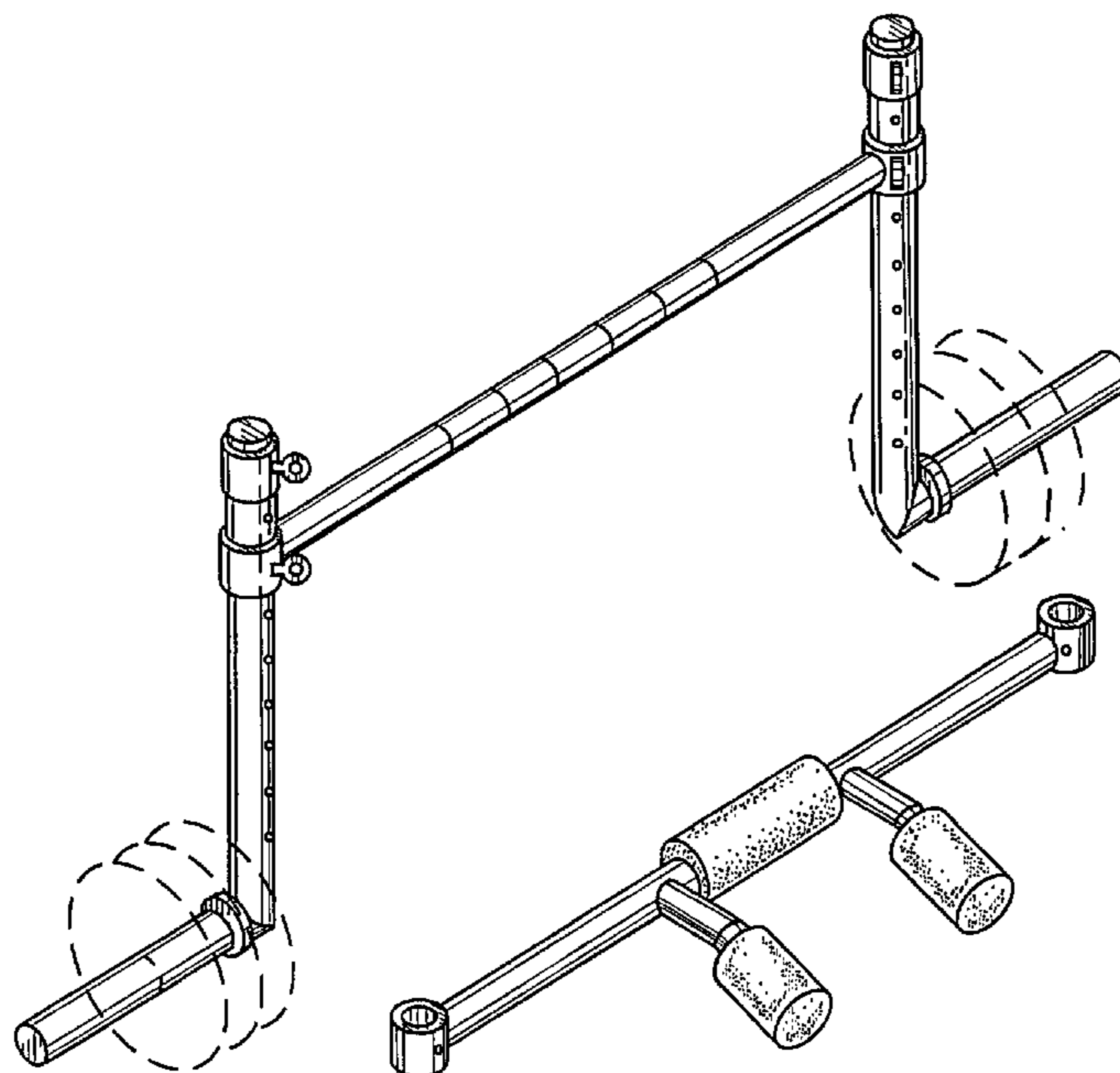
FIG. 4 is a rear elevation view thereof.

FIG. 5 is a top plan view thereof; and,

FIG. 6 is a bottom plan view thereof.

The broken line showing of the weights in FIG. 1 is for the purpose of illustrating environment that forms no part of the claimed design.

1 Claim, 5 Drawing Sheets



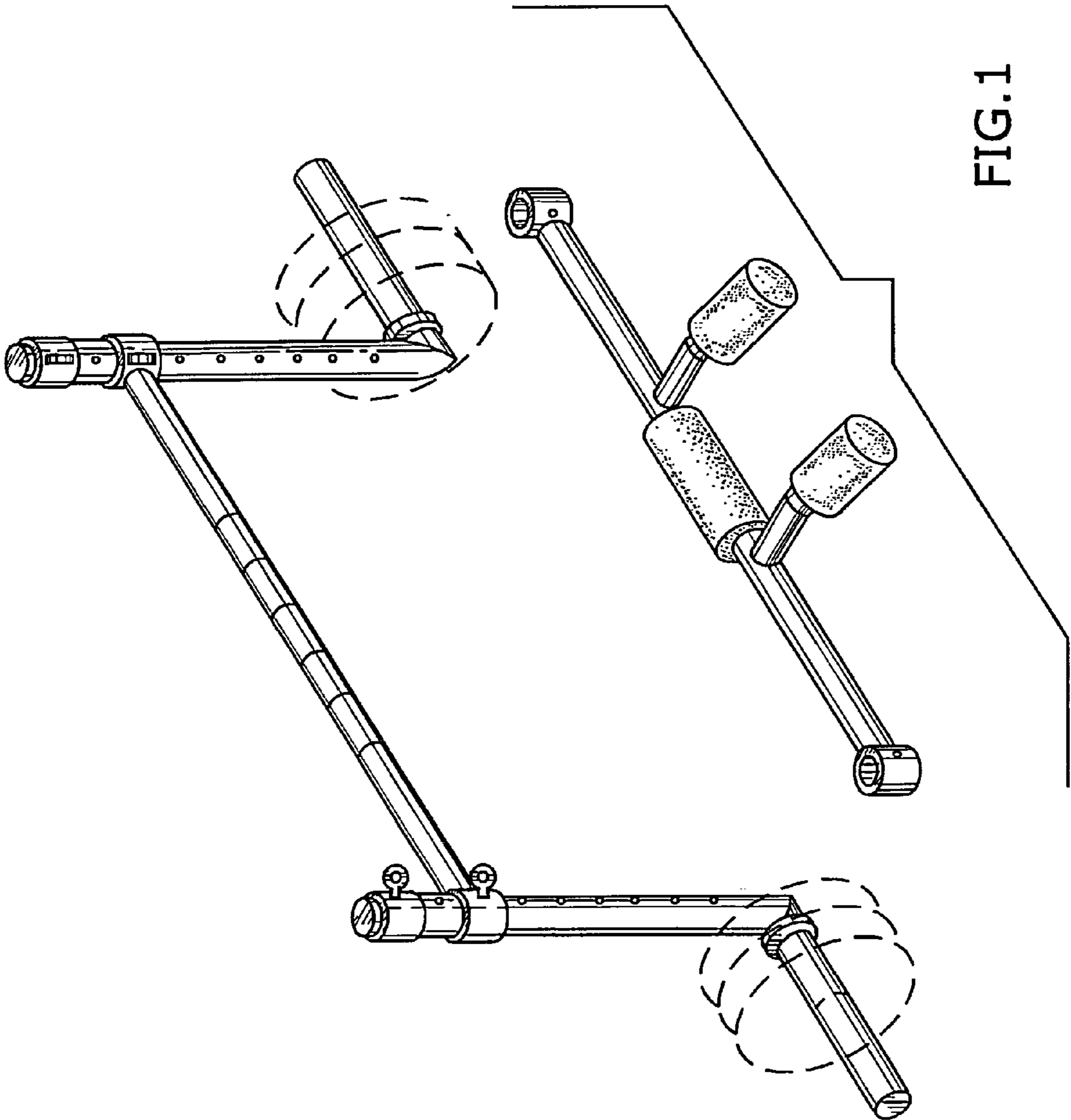


FIG.1

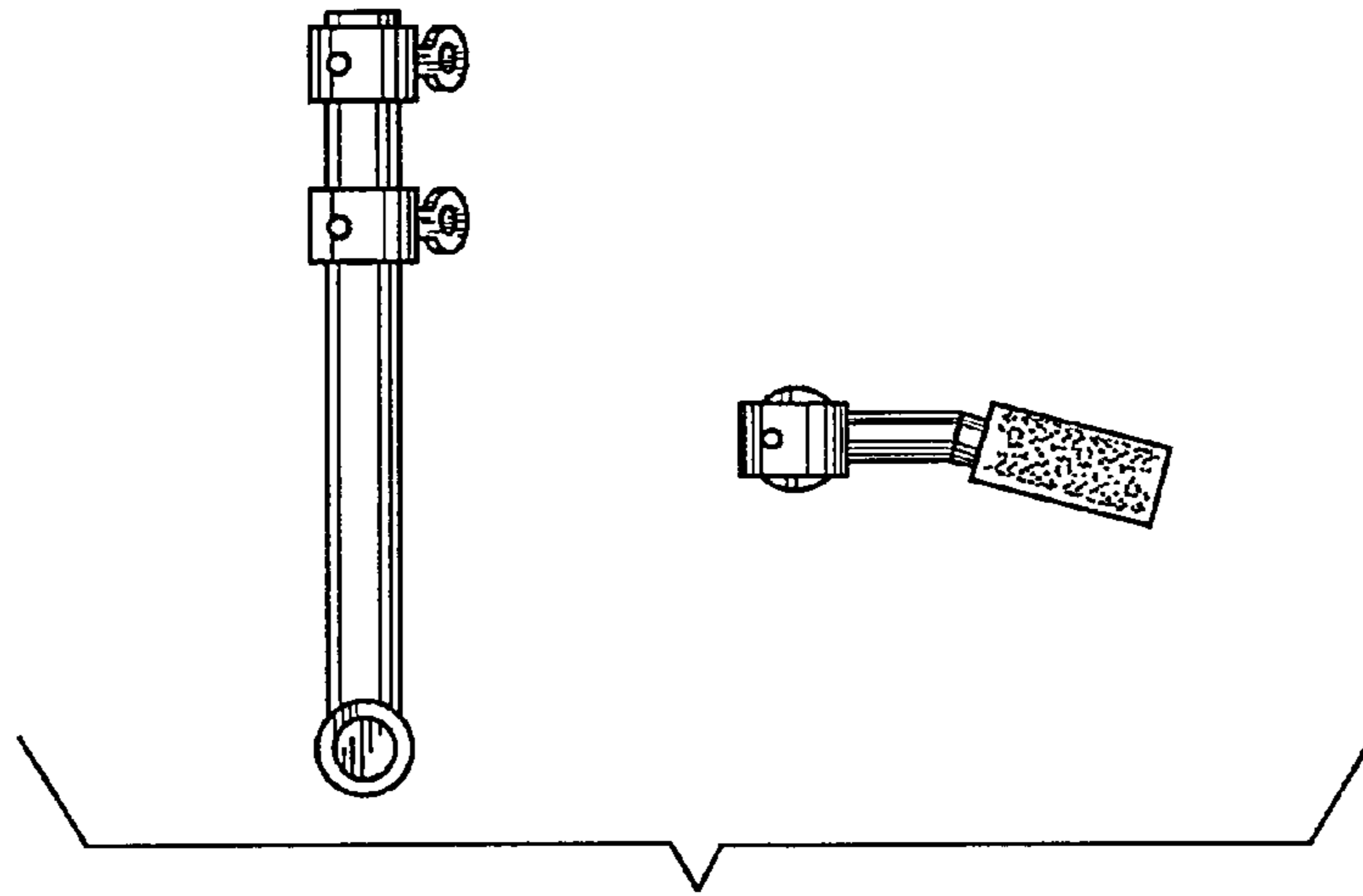


FIG.2

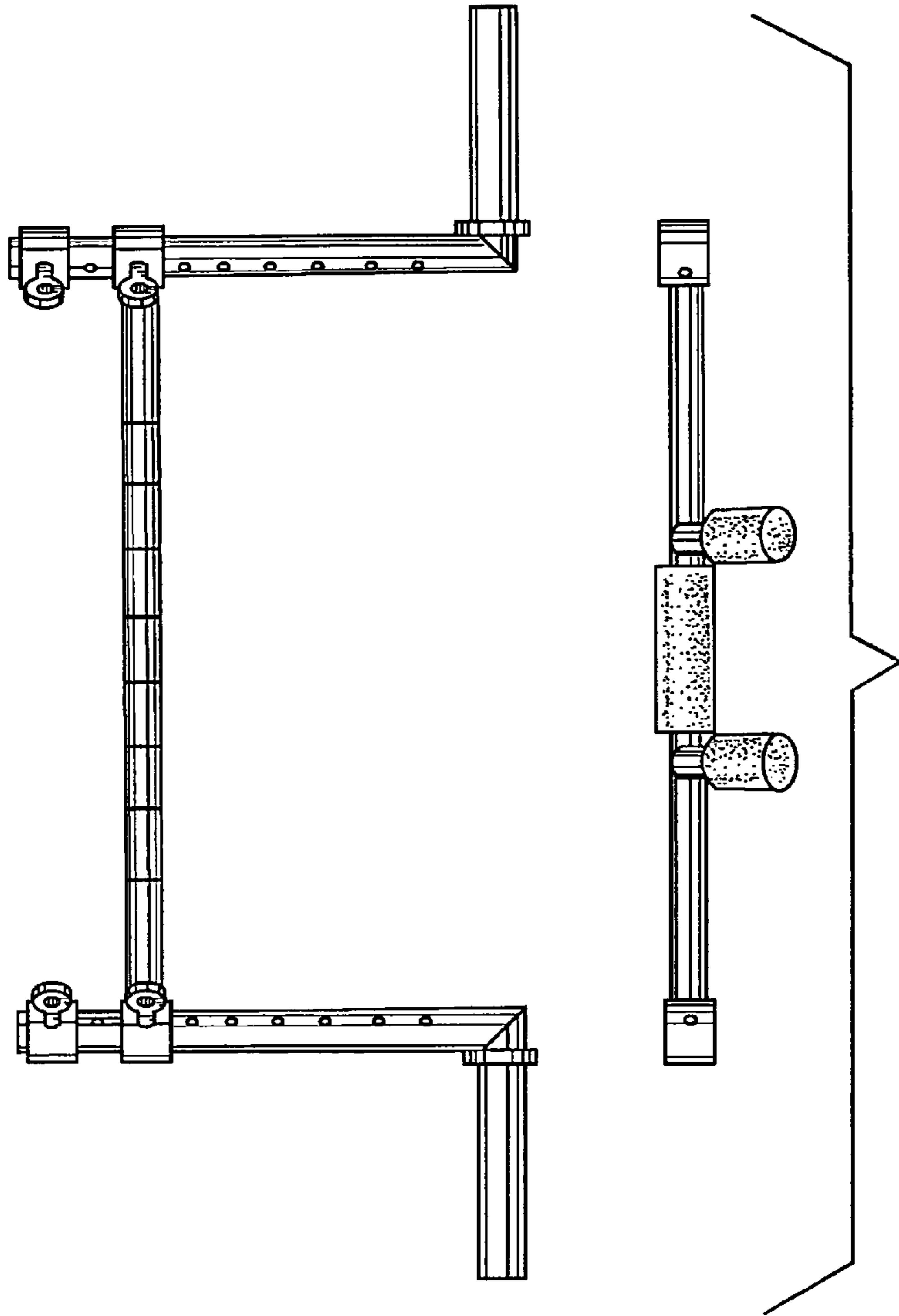


FIG. 3

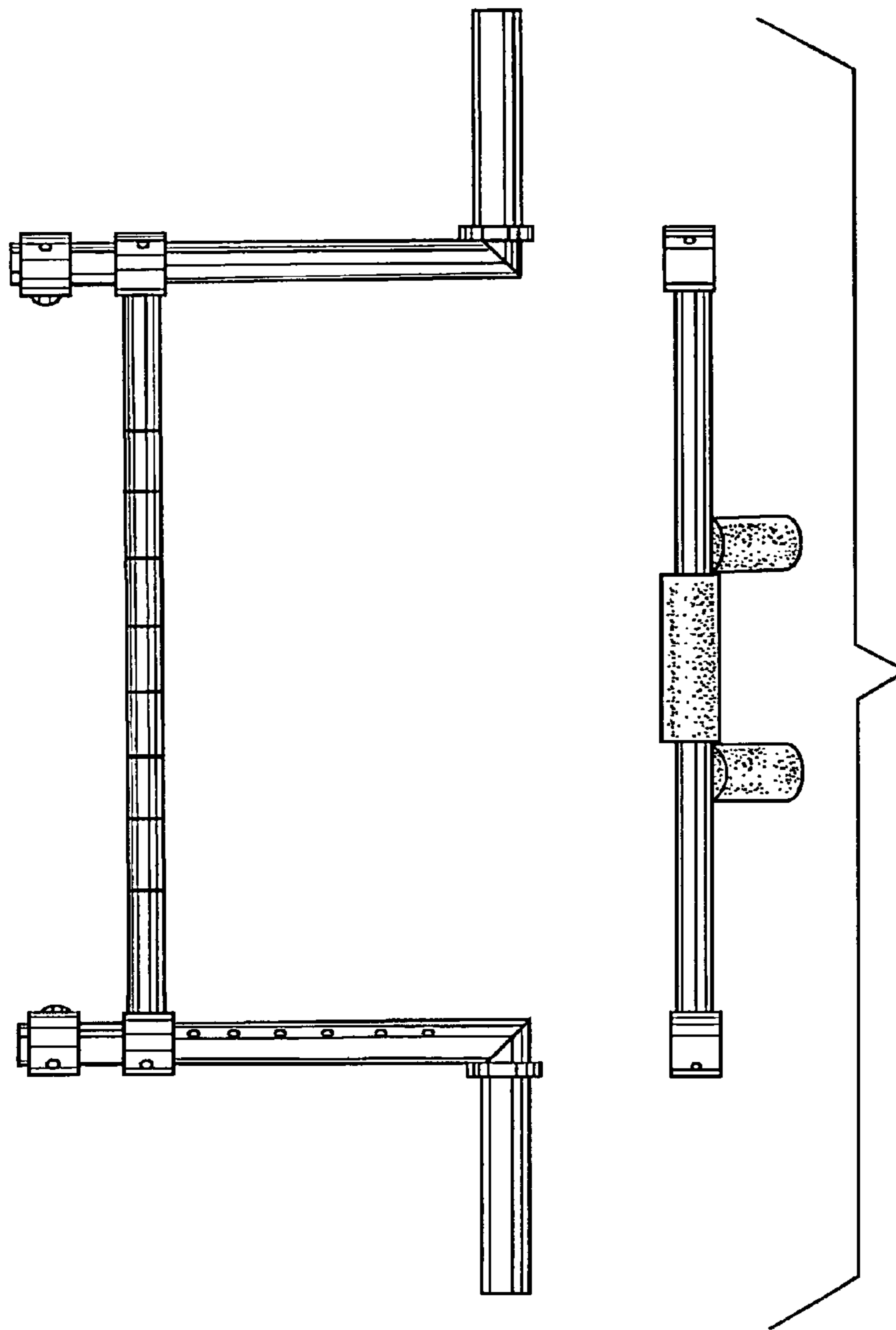


FIG.4

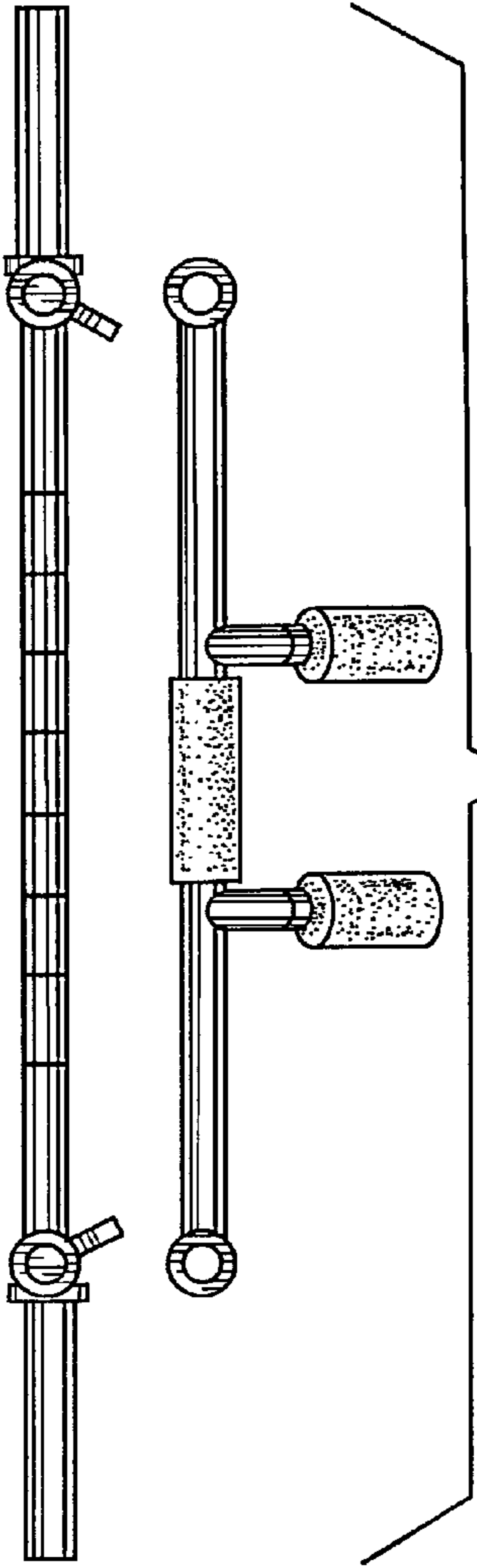


FIG. 5

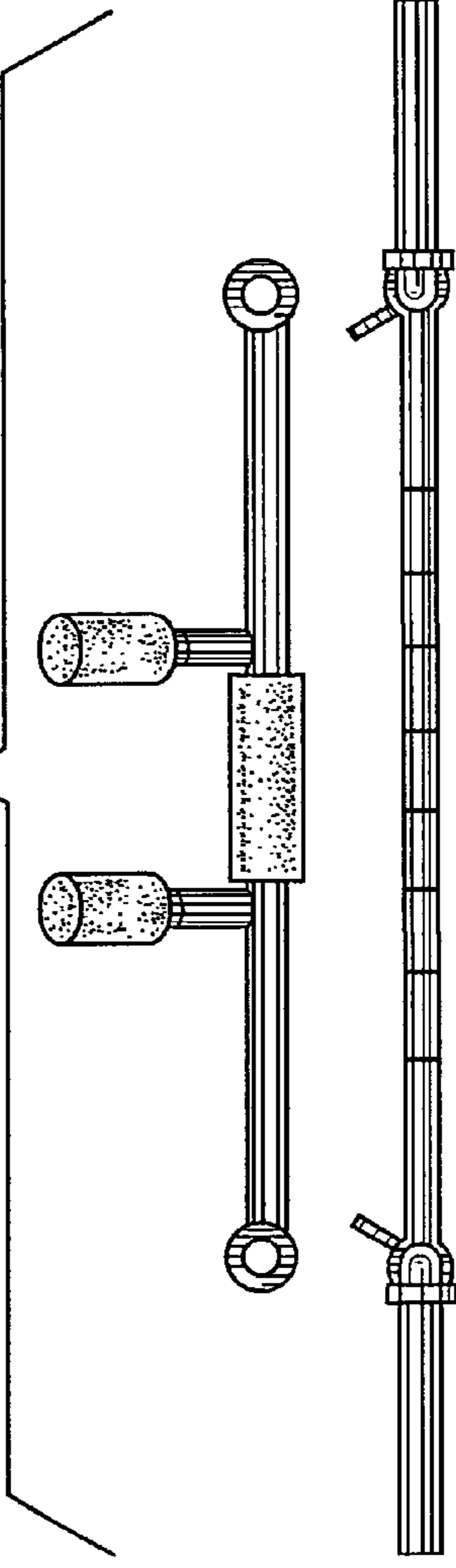


FIG. 6