



US00D725721S

(12) **United States Design Patent**  
**Azoulay**

(10) **Patent No.:** **US D725,721 S**

(45) **Date of Patent:** **\*\* Mar. 31, 2015**

(54) **EXERCISE EQUIPMENT**

(71) Applicant: **Reynak Operations Limited**, Road Town (VG)

(72) Inventor: **David Azoulay**, Netanya (IL)

(73) Assignee: **Reynak Operations Limited**, Road Town, Tortola (VG)

(\*\*) Term: **14 Years**

(21) Appl. No.: **29/460,633**

(22) Filed: **Jul. 12, 2013**

(51) **LOC (10) Cl.** ..... **21-02**

(52) **U.S. Cl.**  
USPC ..... **D21/662**

(58) **Field of Classification Search**  
USPC ..... D21/662, 694; D24/121, 205, 213;  
482/1, 4, 8, 57, 59, 93, 111, 78;  
454/73; 52/27; D3/304; D7/603, 620;  
D9/424; D23/283; D32/53  
See application file for complete search history.

(56) **References Cited**

**U.S. PATENT DOCUMENTS**

D367,687 S *	3/1996	Carter .....	D21/694
D377,091 S *	12/1996	Scott, Sr. ....	D24/121
D424,178 S *	5/2000	Schmidem .....	D23/283
D431,637 S *	10/2000	Palmer .....	D23/277
D488,356 S *	4/2004	Wiest .....	D7/603
D604,564 S *	11/2009	Walter .....	D7/620
D632,798 S *	2/2011	Tran .....	D24/213
D636,090 S *	4/2011	Tran .....	D24/213
D638,590 S *	5/2011	Lipscomb et al. ....	D30/161
D645,559 S *	9/2011	Green et al. ....	D24/121
8,297,282 B2 *	10/2012	Holley et al. ....	128/205.26

D677,151 S *	3/2013	Magniet .....	D9/424
D709,619 S *	7/2014	Tran .....	D24/204
2014/0001797 A1 *	1/2014	Hutchinson et al. ....	297/188.01
2014/0235411 A1 *	8/2014	Dailey .....	482/57

\* cited by examiner

*Primary Examiner* — George D Kirschbaum

*Assistant Examiner* — Jennifer Watkins

(74) *Attorney, Agent, or Firm* — Pearl Cohen Zedek Latzer Baratz LLP

(57) **CLAIM**

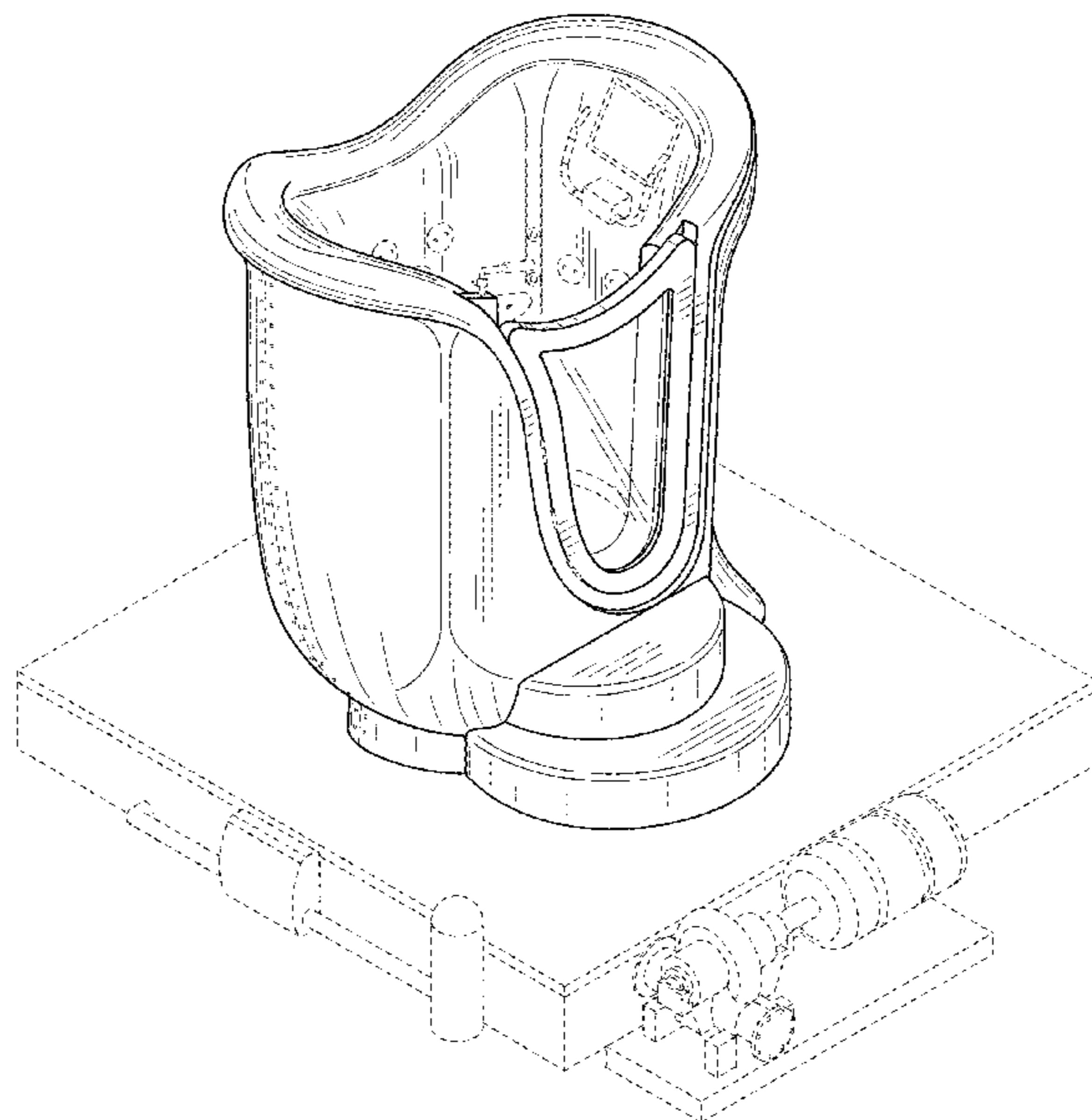
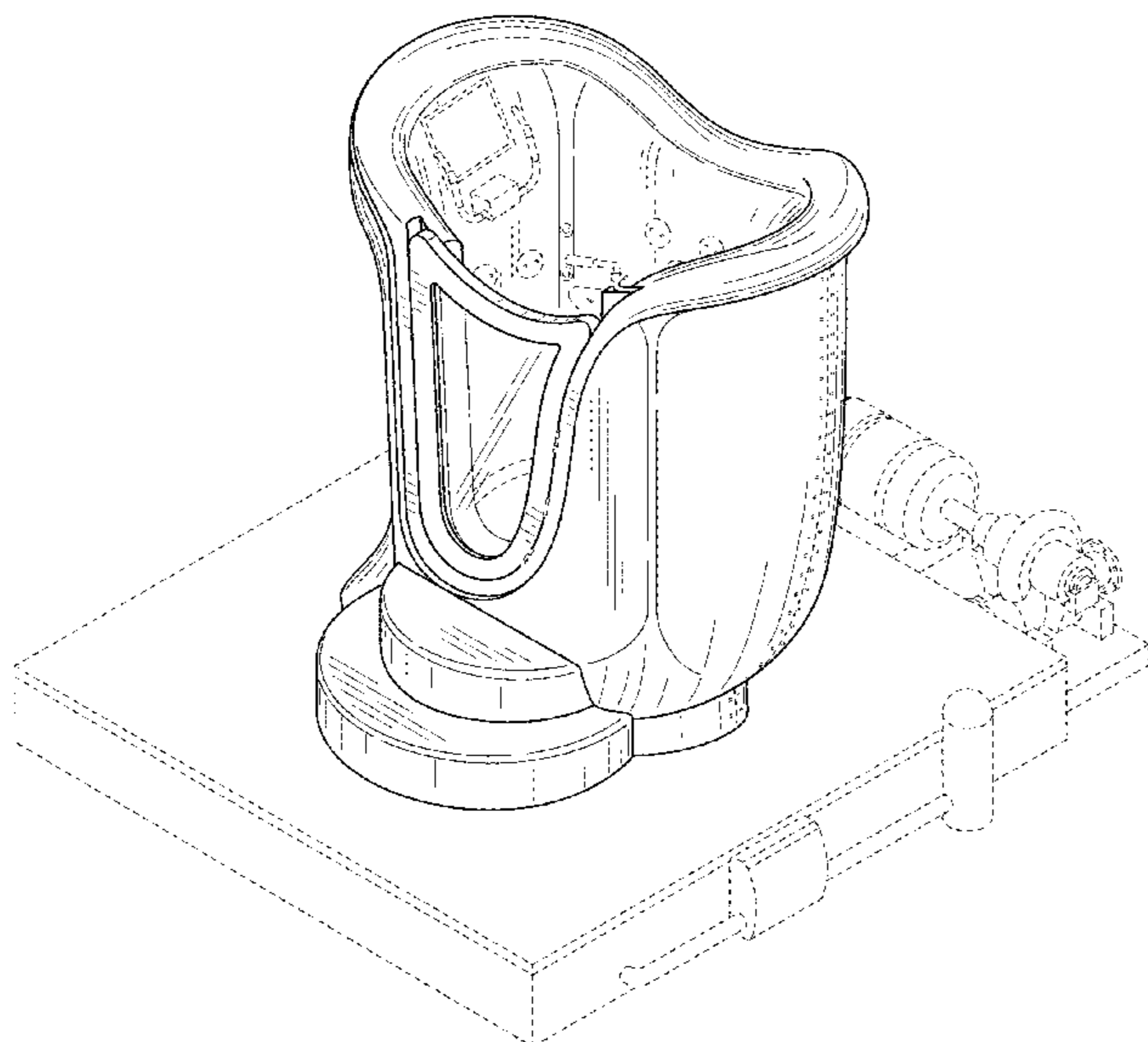
The ornamental design for an exercise equipment, as shown and described.

**DESCRIPTION**

FIG. 1 is a back, top, right side perspective view of a first embodiment of the exercise equipment;  
FIG. 2 is a right side elevational view thereof;  
FIG. 3 is a left side elevational view thereof;  
FIG. 4 is a front elevational view thereof;  
FIG. 5 is a back elevational view thereof;  
FIG. 6 is a top plan view thereof;  
FIG. 7 is a bottom view thereof;  
FIG. 8 is a back, top, left side perspective view of a second embodiment of the exercise equipment;  
FIG. 9 is a right side elevational view thereof;  
FIG. 10 is a left side elevational view thereof;  
FIG. 11 is a front elevational view thereof;  
FIG. 12 is a back elevational view thereof;  
FIG. 13 is a top plan view thereof; and,  
FIG. 14 is a bottom view thereof.

The structure in broken lines shows the base and portions of the body of the exercise equipment and forms no part of the claimed design.

**1 Claim, 14 Drawing Sheets**



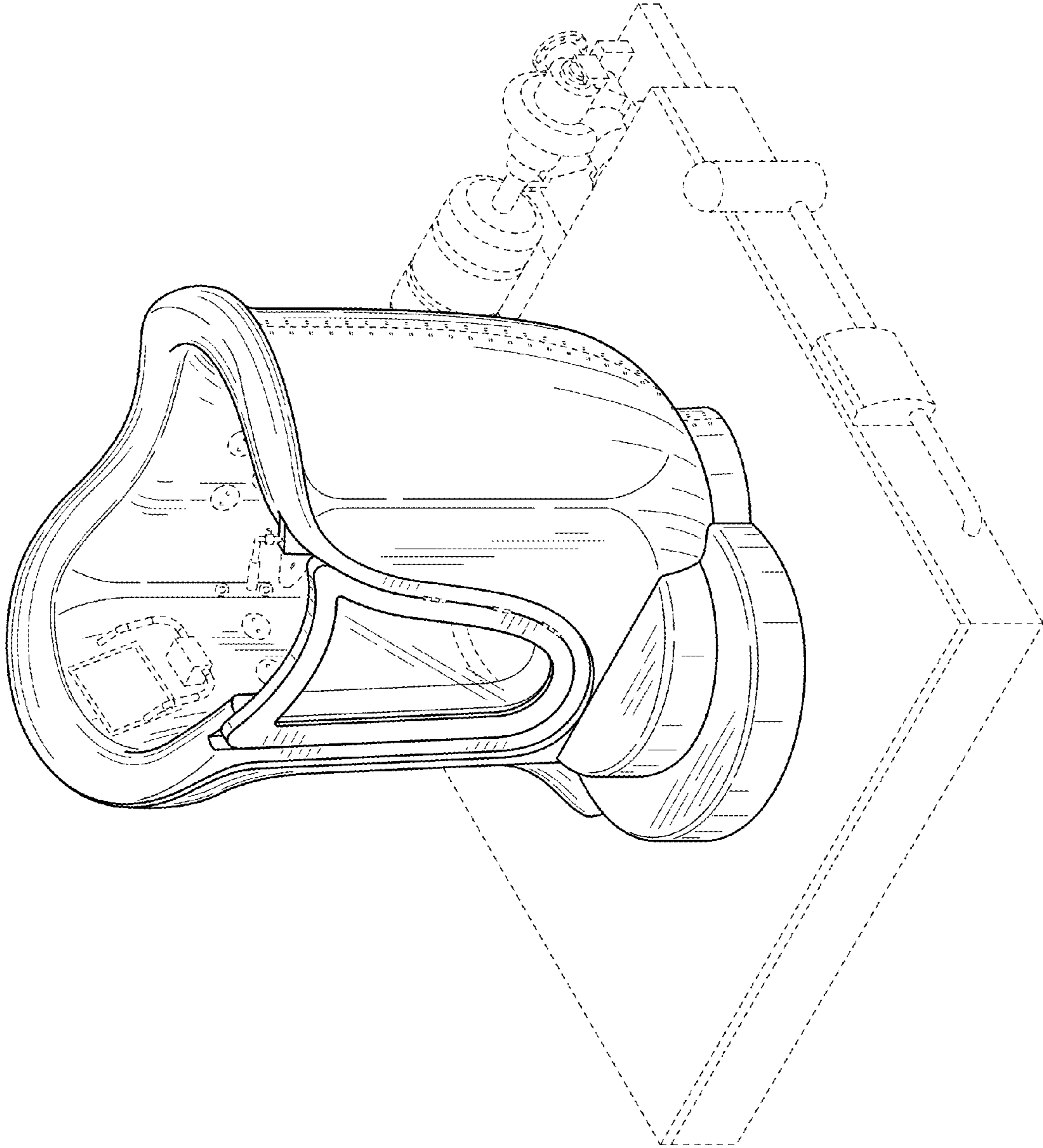


FIG. 1

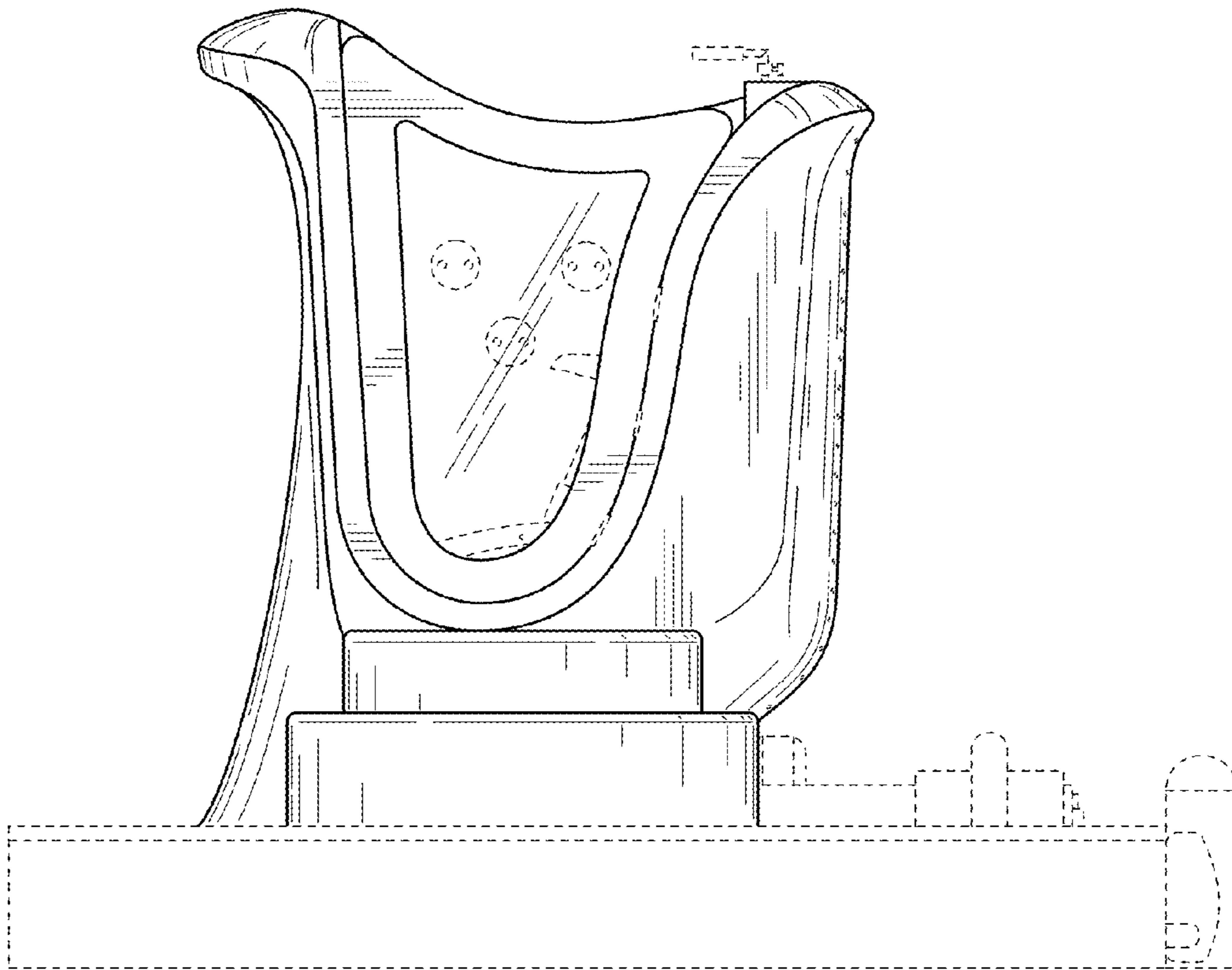


FIG. 2

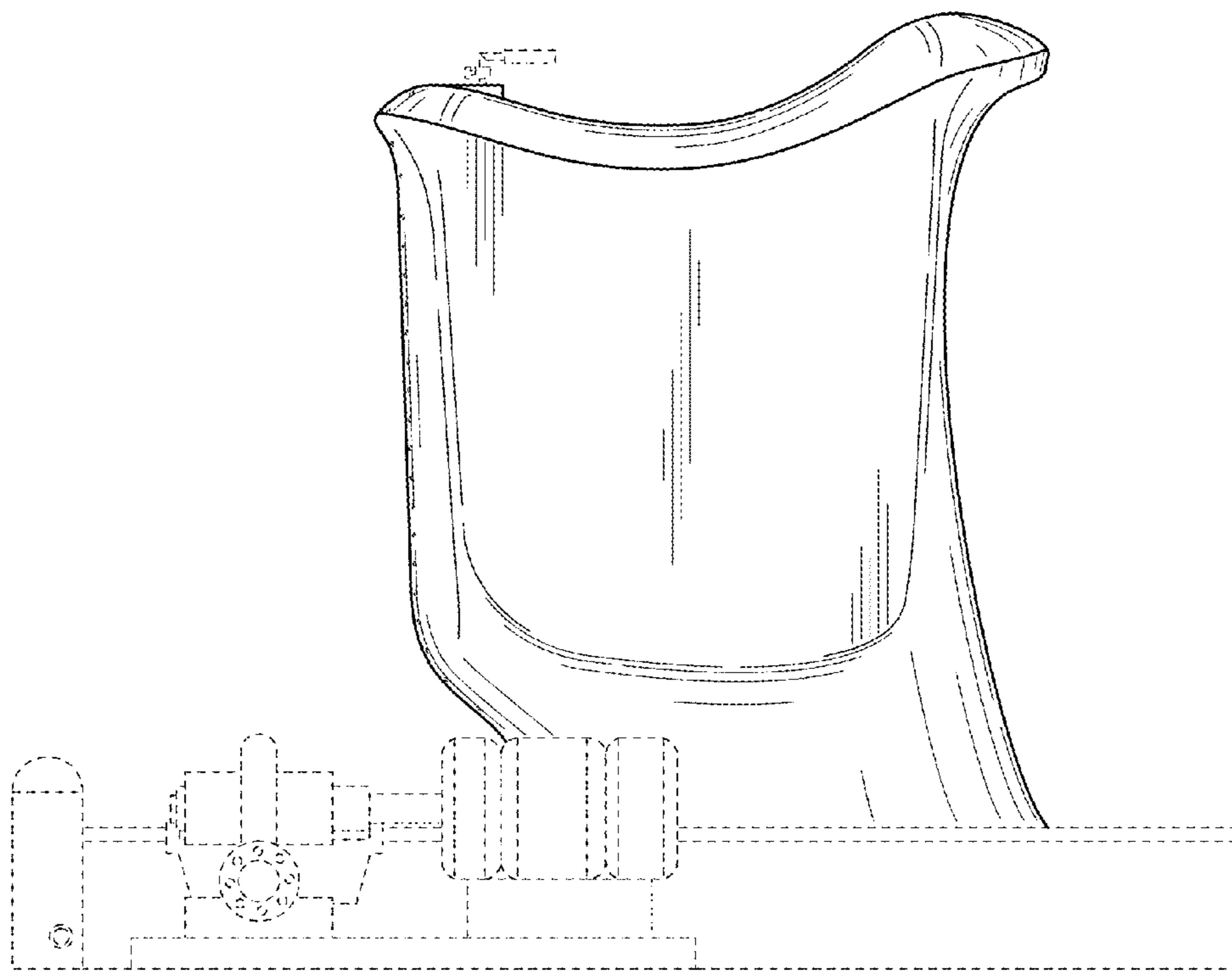


FIG. 3

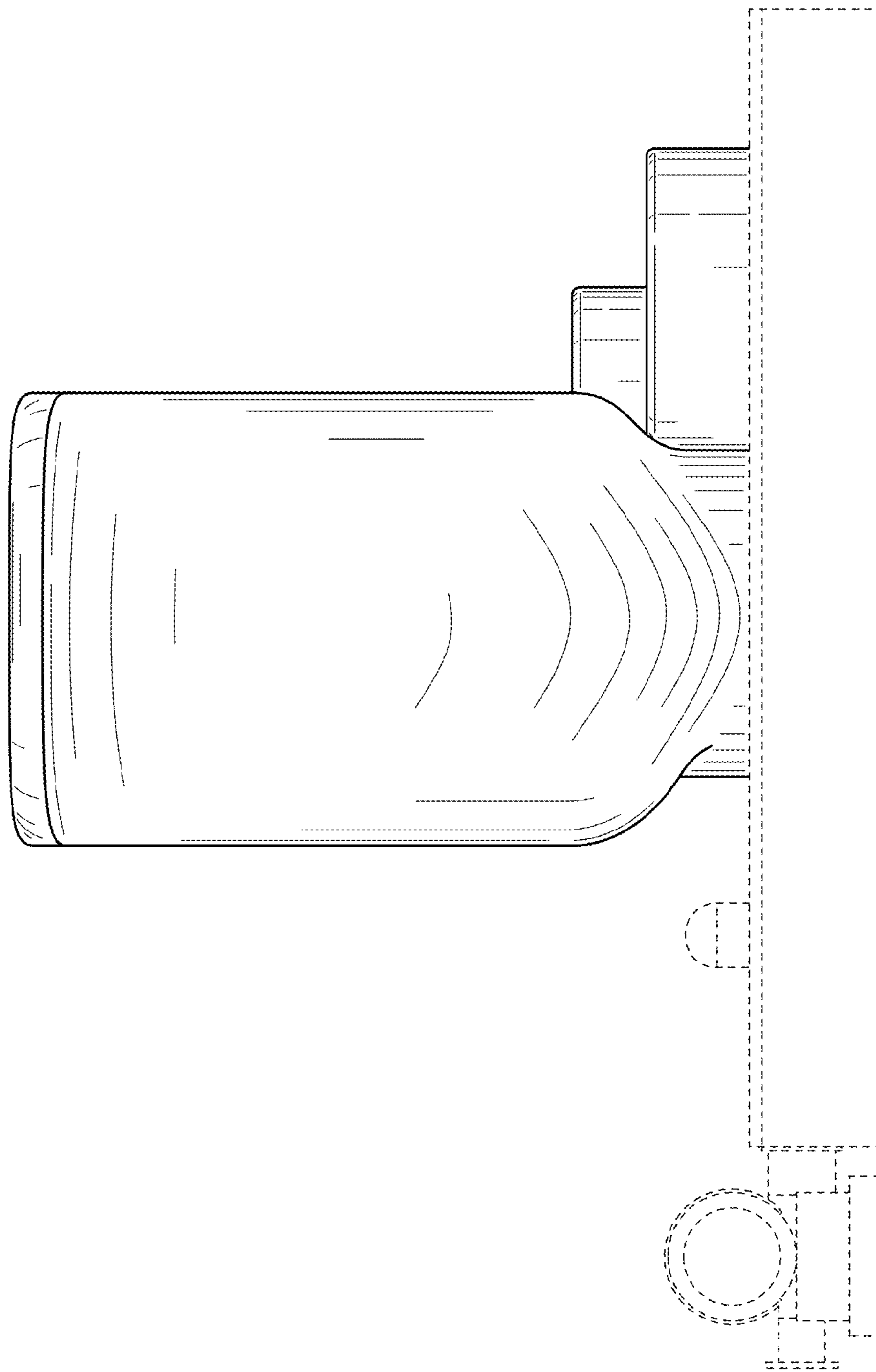


FIG. 4

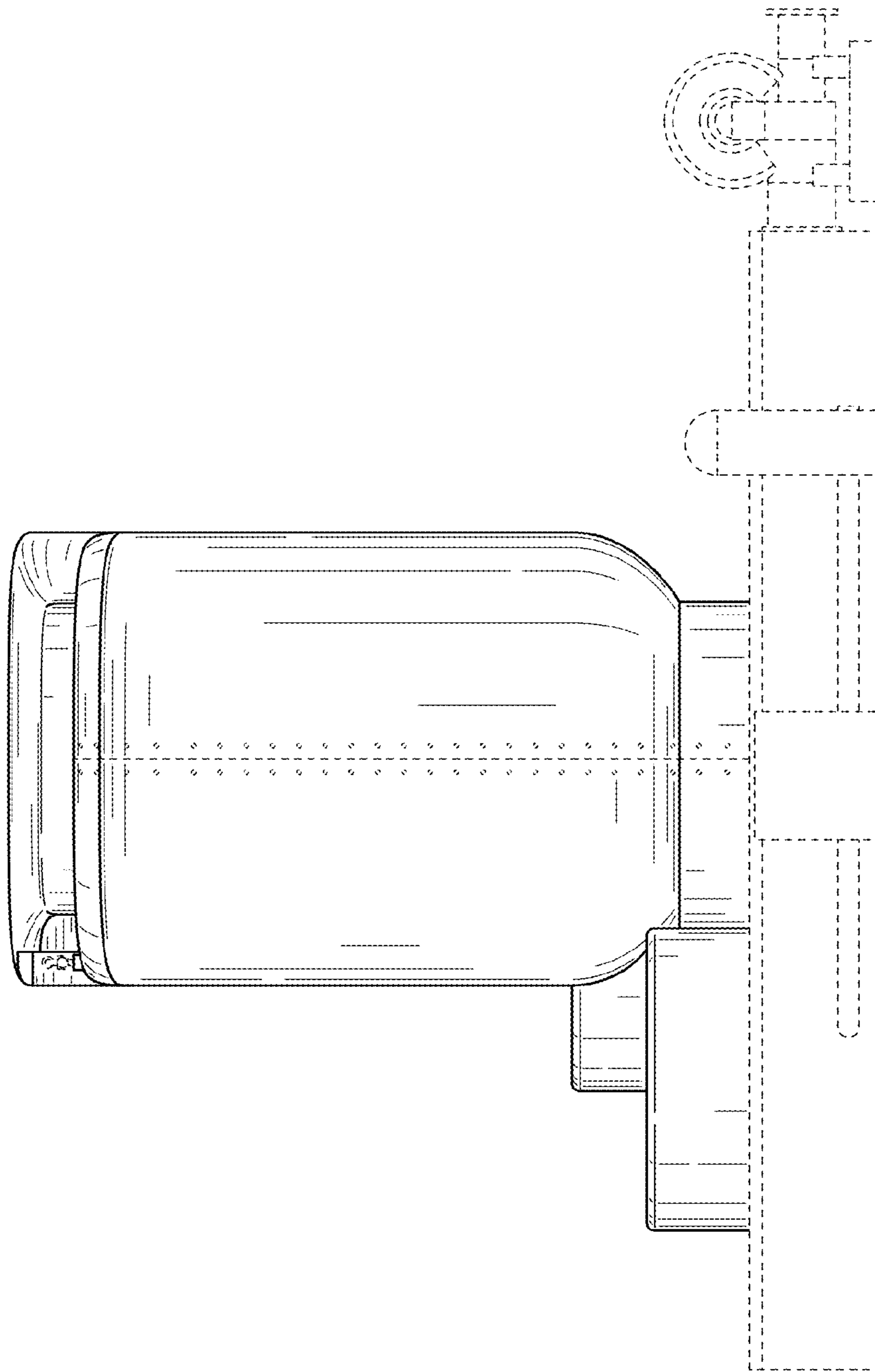


FIG. 5

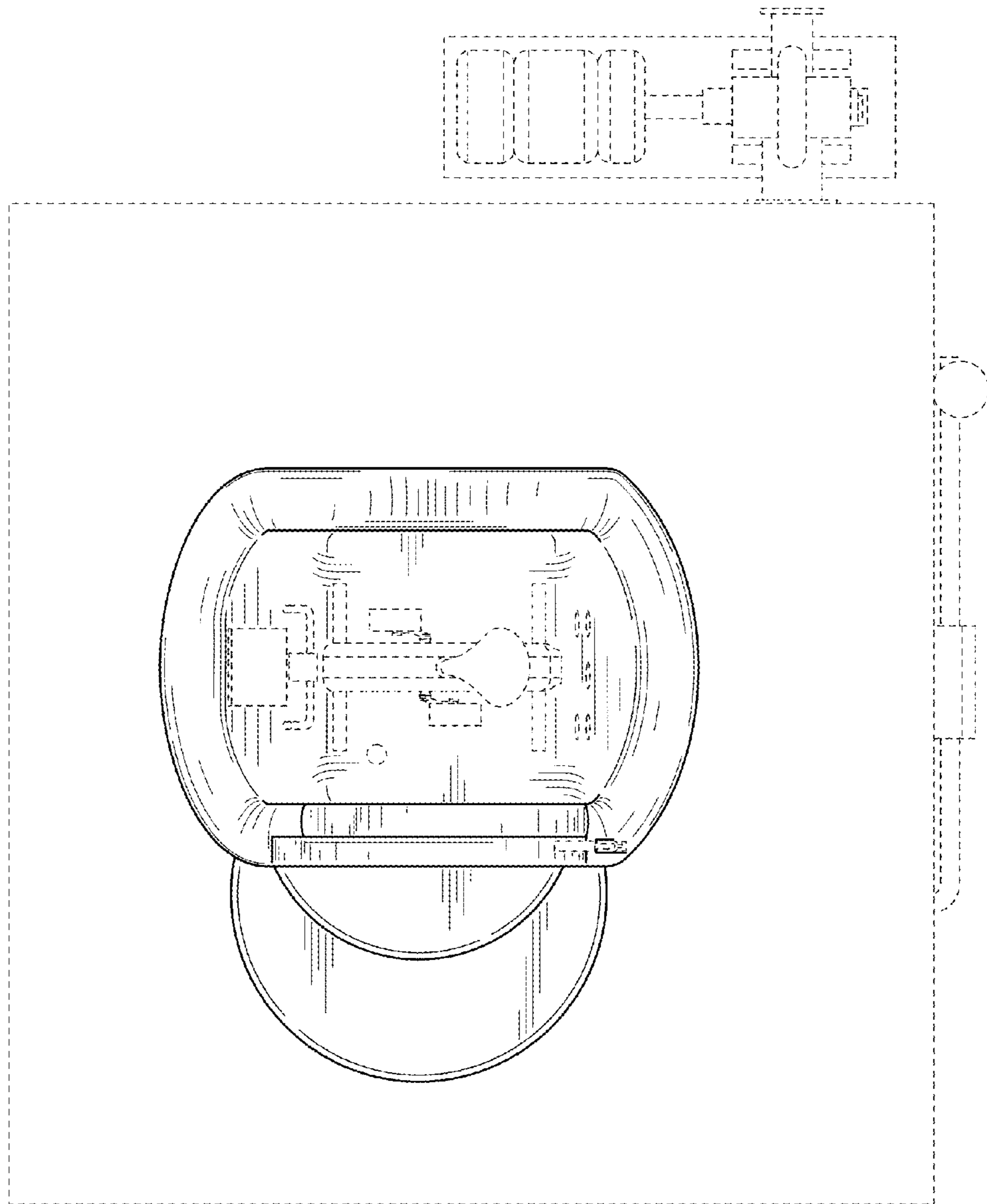


FIG. 6

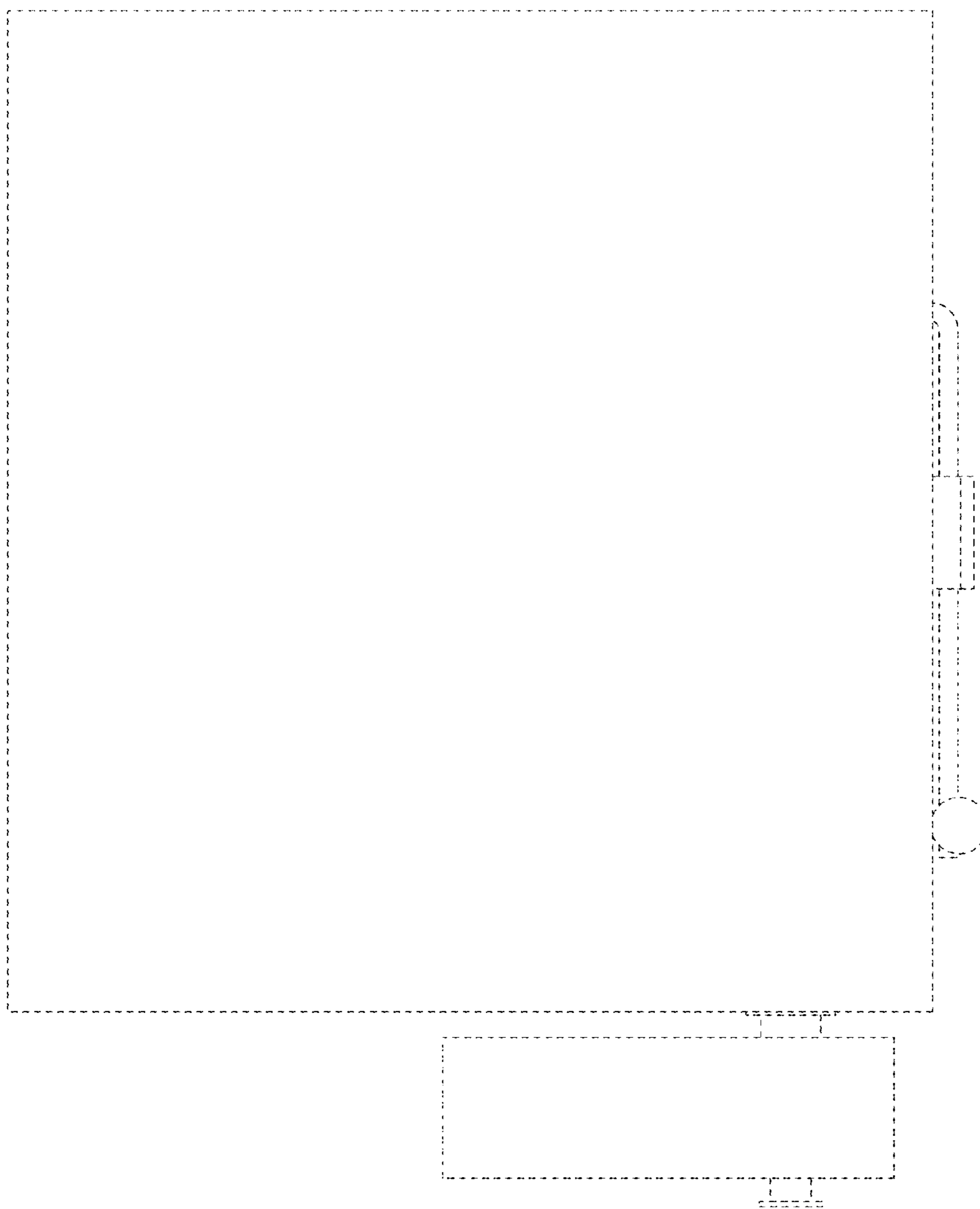
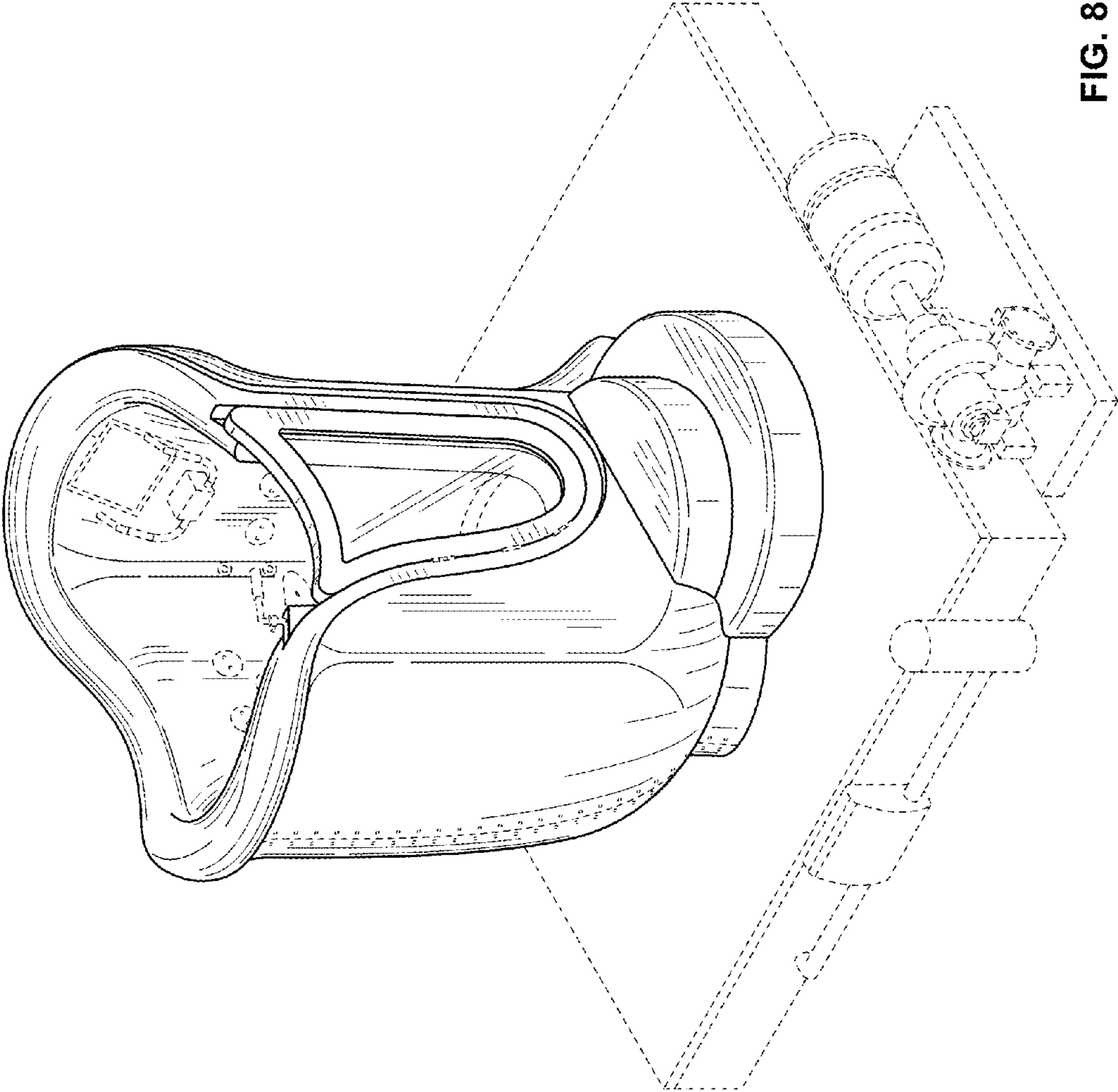


FIG. 7





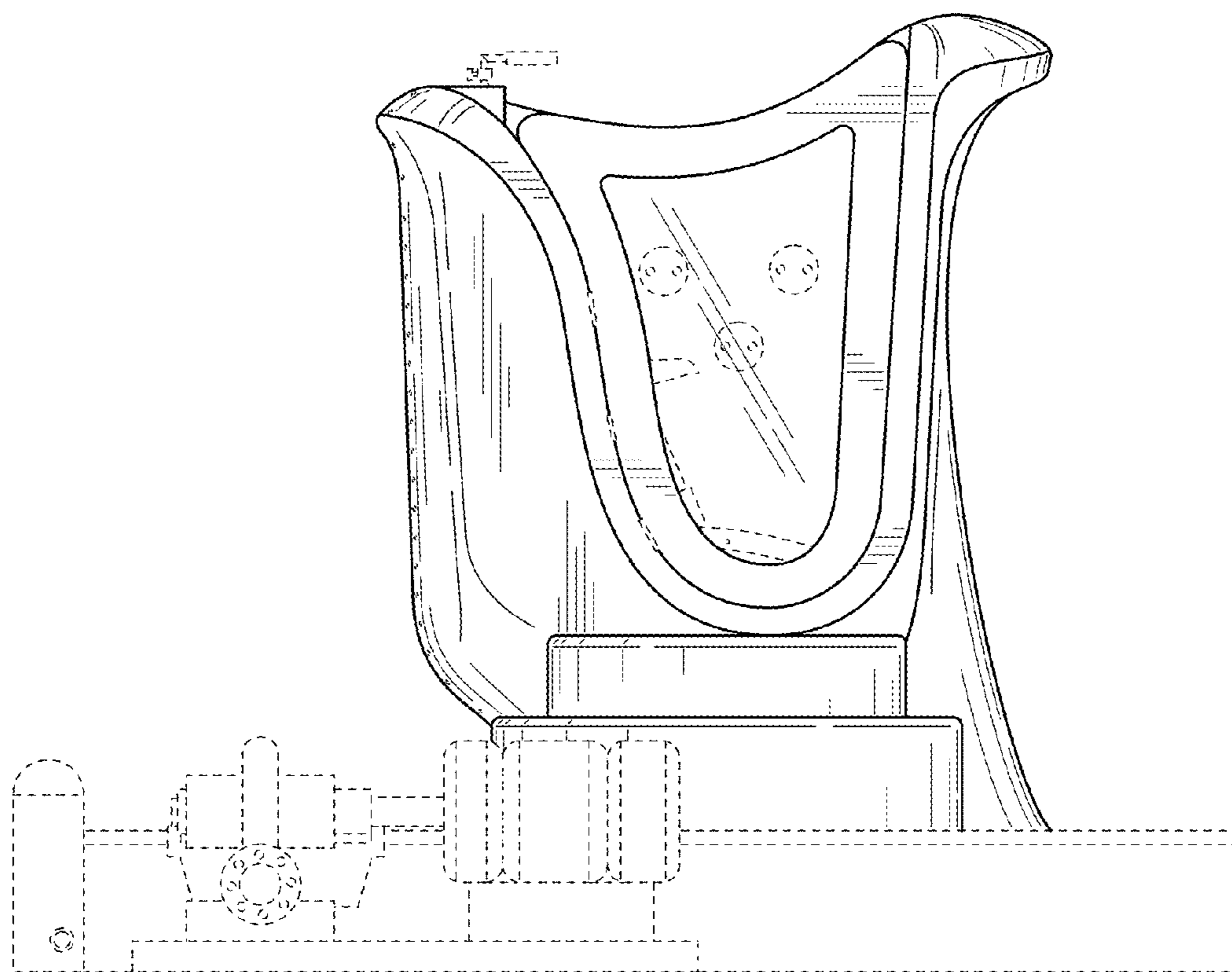


FIG. 9

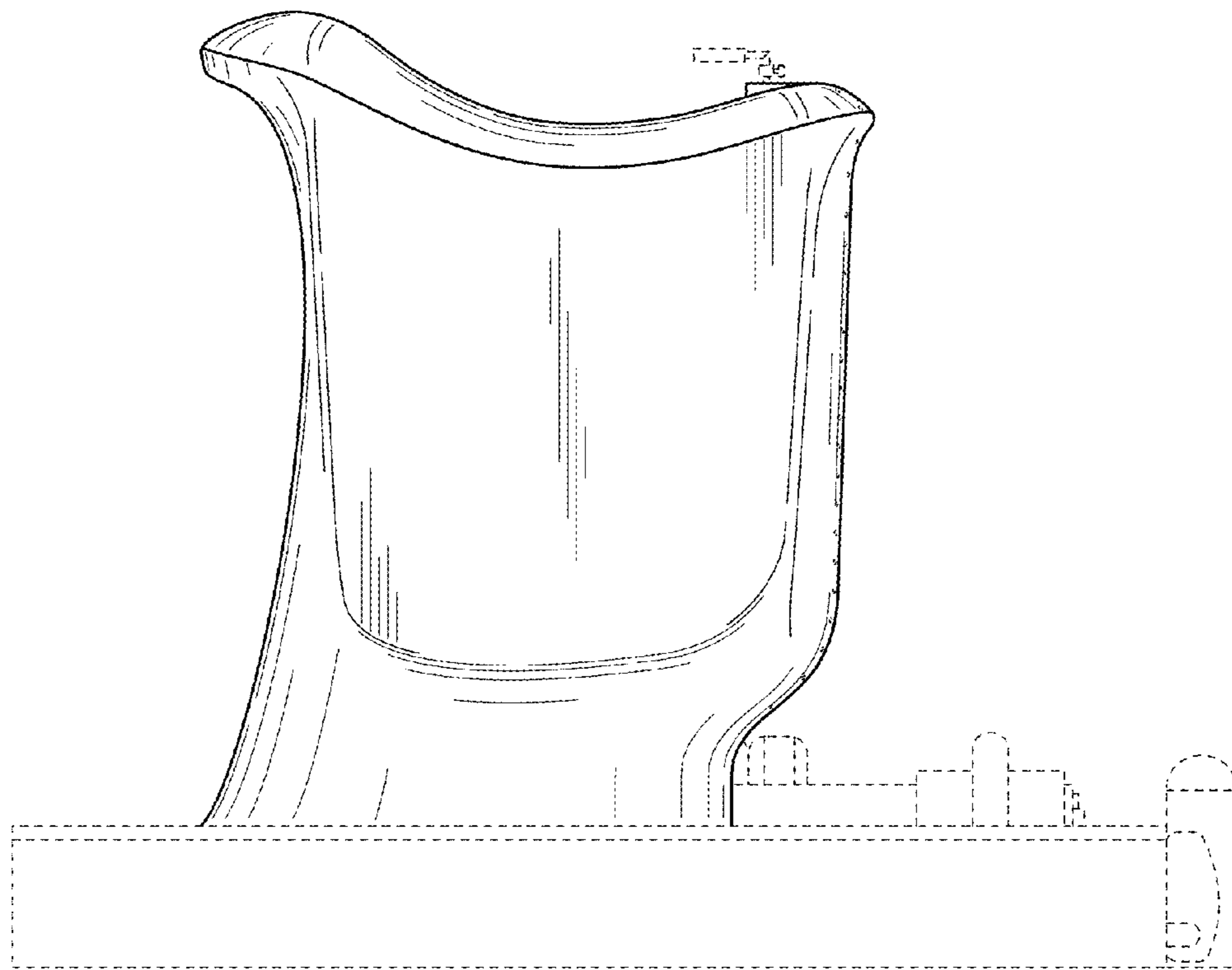


FIG. 10

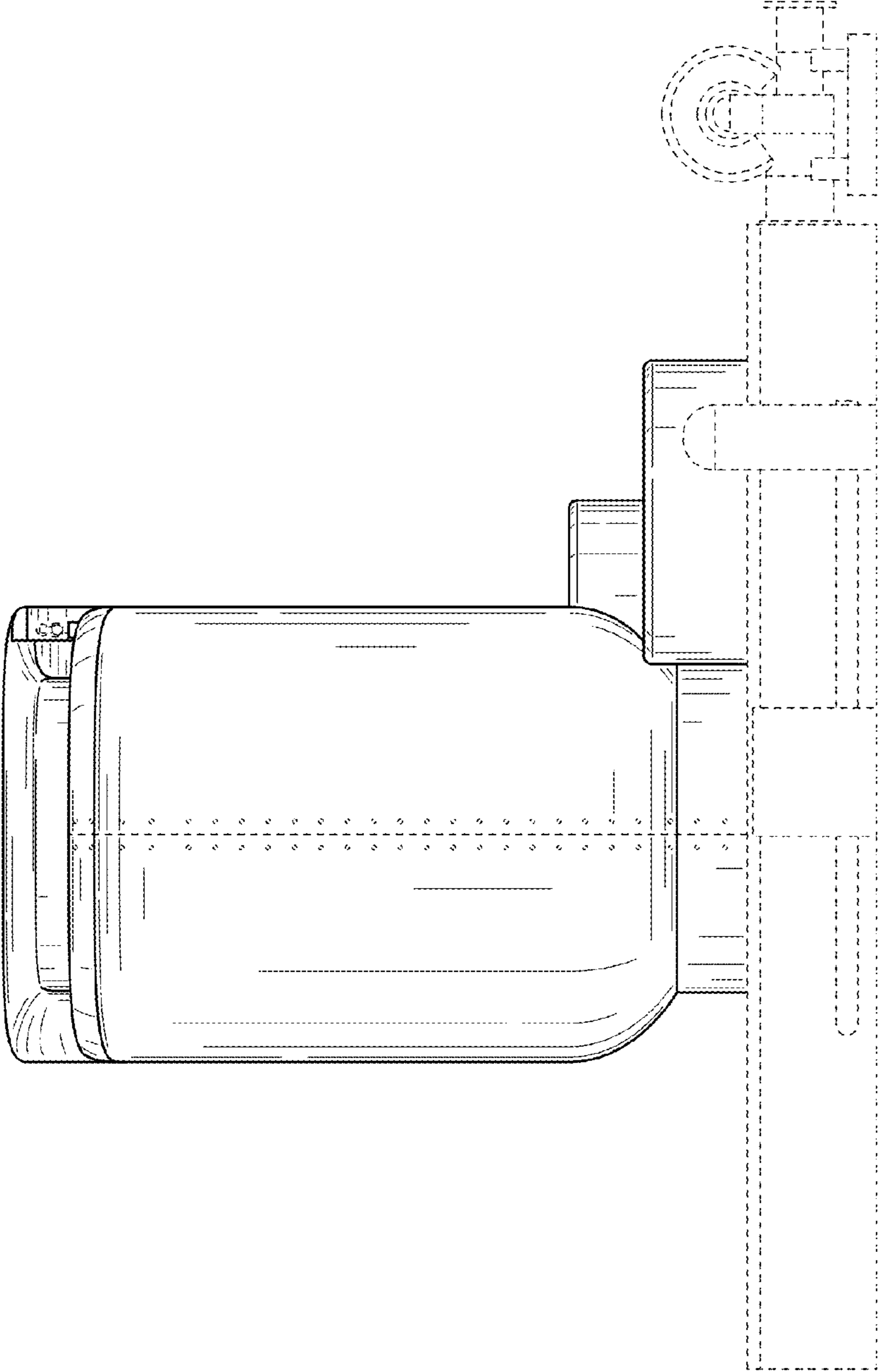


FIG. 11

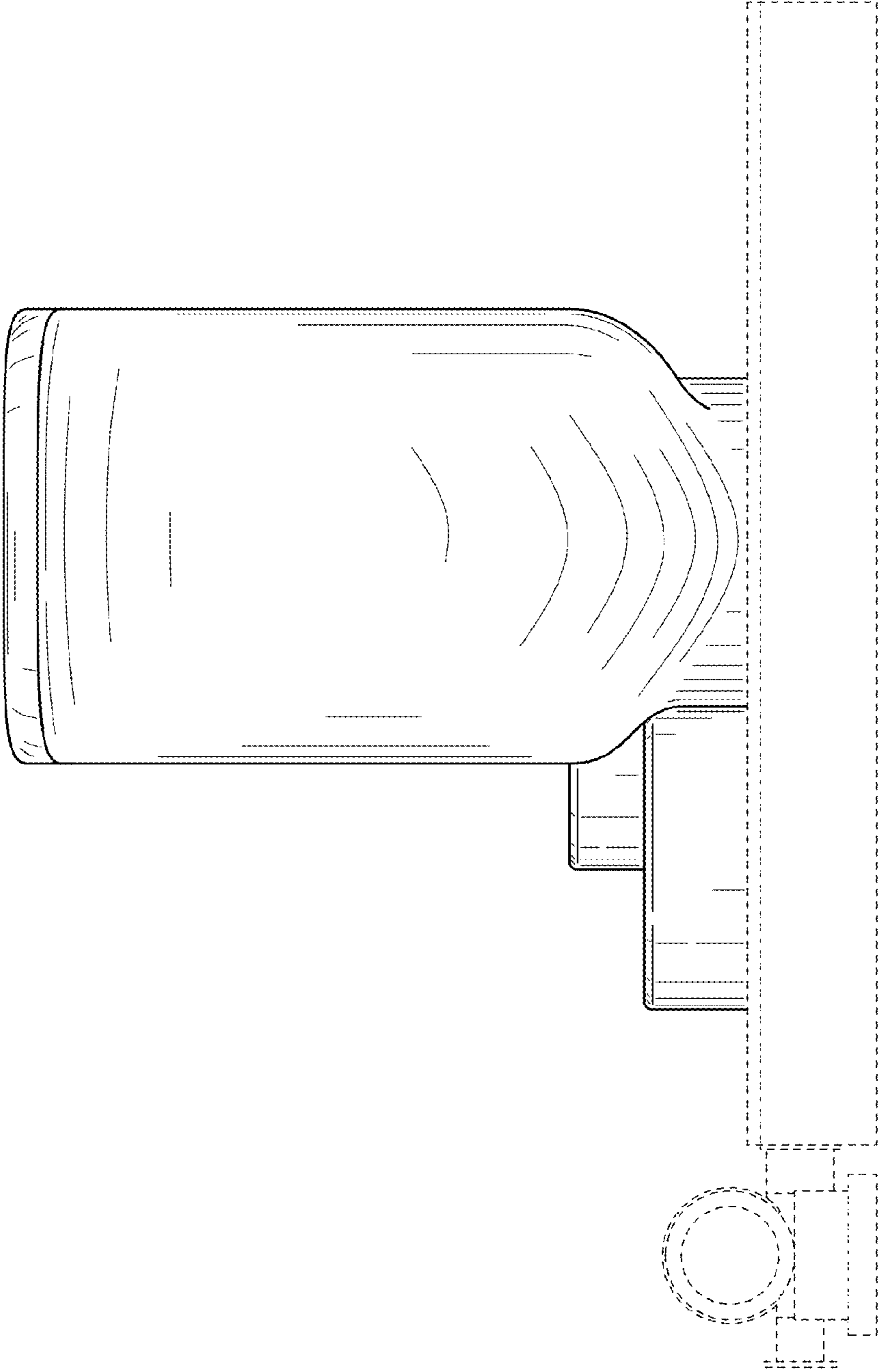


FIG. 12

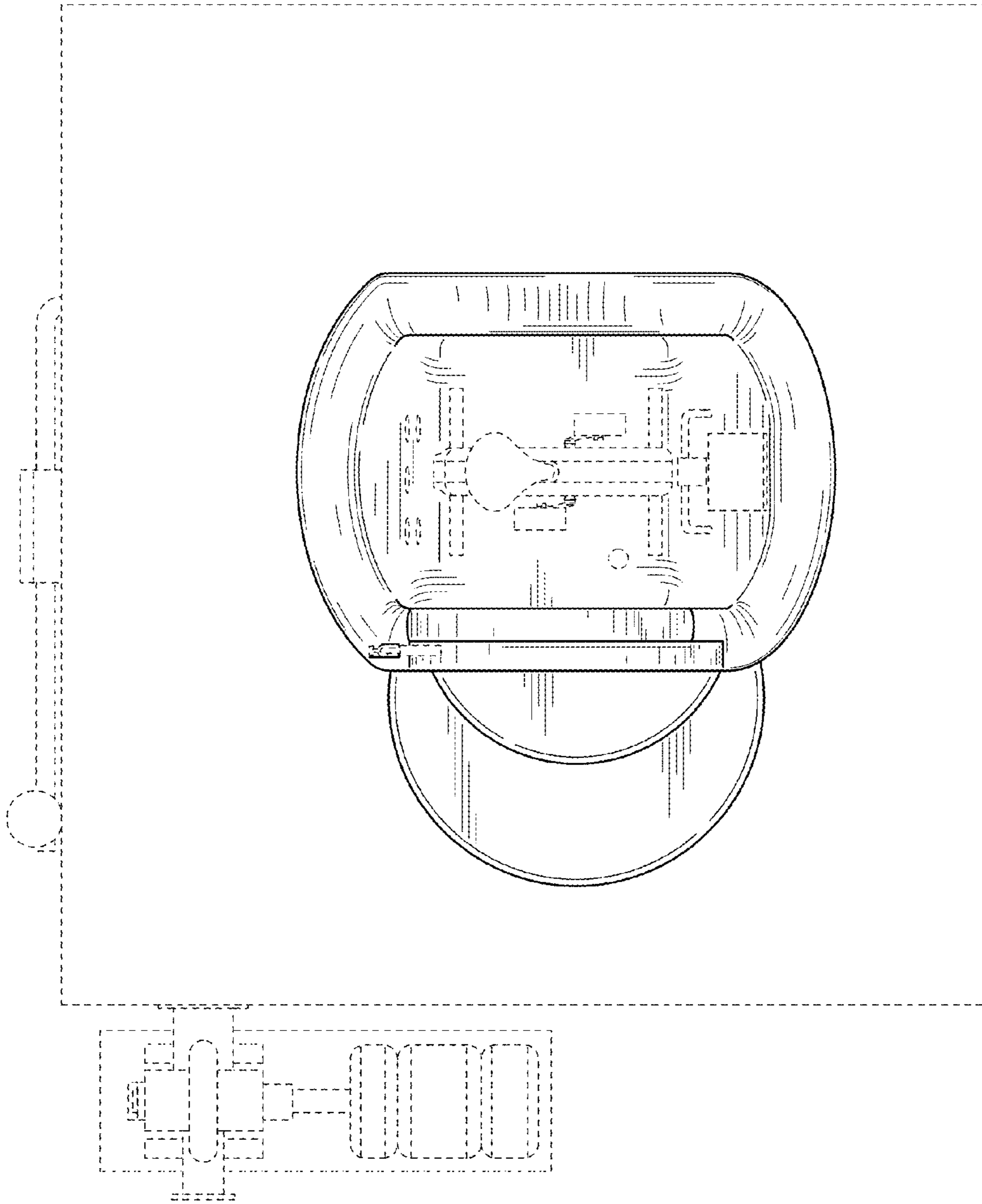


FIG. 13

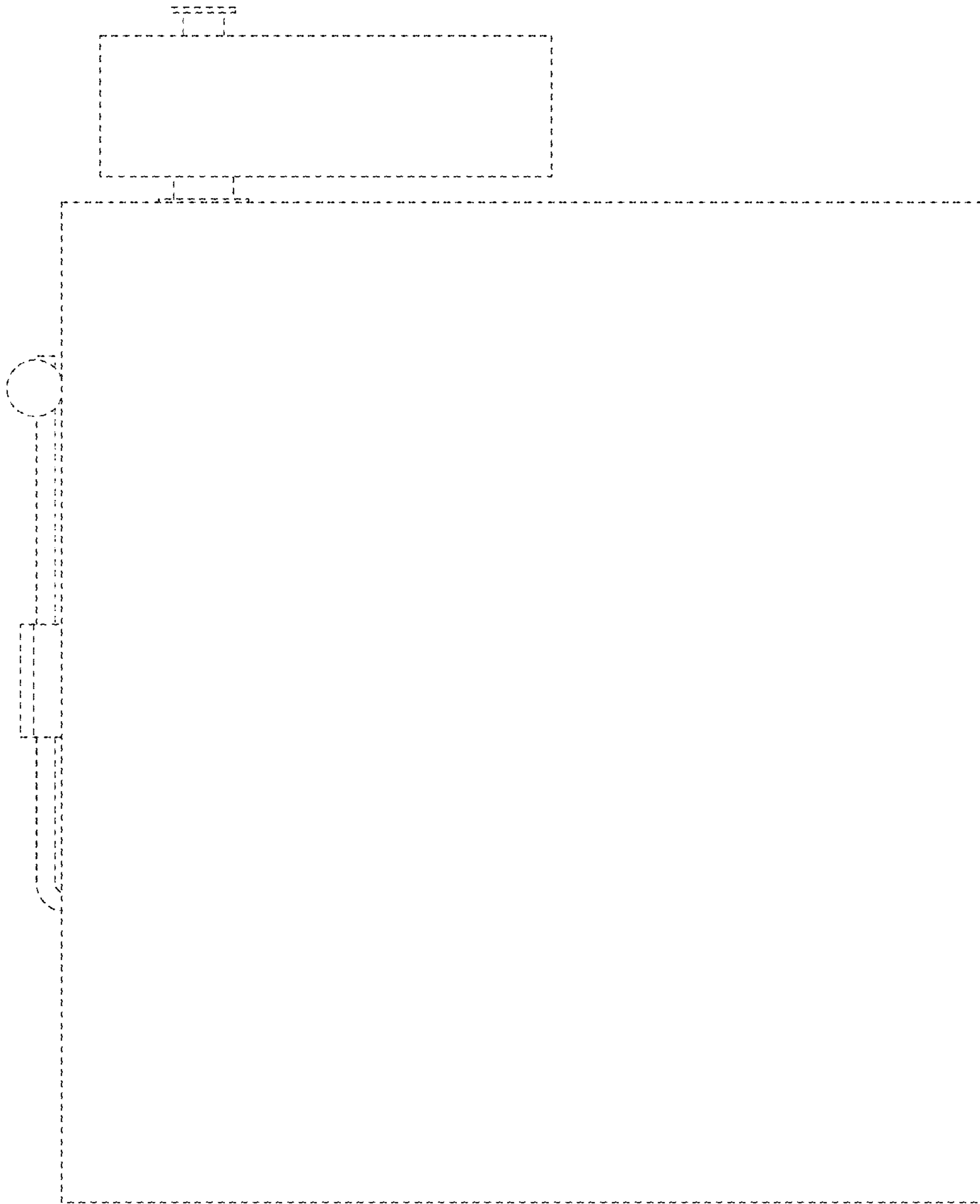


FIG. 14