



US00D725714S

(12) **United States Design Patent**
Kim

(10) **Patent No.:** **US D725,714 S**
(45) **Date of Patent:** **** Mar. 31, 2015**

(54) **DISK AIRPLANE**
(71) Applicant: **Yong Chul Kim**, Seoul (KR)
(72) Inventor: **Yong Chul Kim**, Seoul (KR)
(**) Term: **14 Years**
(21) Appl. No.: **29/465,621**
(22) Filed: **Aug. 29, 2013**
(51) **LOC (10) Cl.** **21-02**
(52) **U.S. Cl.**
USPC **D21/443**
(58) **Field of Classification Search**
CPC A63H 33/18; A63H 33/185; A63F
2009/0286; A63B 65/10; A63B 67/06; A63B
67/14
USPC D21/387, 390, 436, 437, 441, 443, 444,
D21/453; 446/46, 47, 48, 236, 240, 460,
446/486; 273/336, 338, 348, 126 R;
473/588, 589, 590, 416, 514; D30/160,
D30/199; 119/707, 709, 710
See application file for complete search history.

(56) **References Cited**
U.S. PATENT DOCUMENTS
D183,626 S * 9/1958 Morrison D21/444
3,828,466 A * 8/1974 Geiger 446/48
4,132,029 A * 1/1979 Thompson et al. 446/48

4,152,863 A * 5/1979 Kubiatoiwicz 446/486
4,212,131 A * 7/1980 Ross, Jr. 446/48
4,516,946 A * 5/1985 Rodarte 446/46
4,600,398 A * 7/1986 Fraga 446/240
D295,429 S * 4/1988 Sandeen D21/443
4,747,798 A * 5/1988 Wang et al. 446/47
D501,517 S * 2/2005 Vodhanel, Jr. D21/443
D548,409 S * 8/2007 Renforth et al. D30/160
D559,920 S * 1/2008 Krueger et al. D21/443
7,335,085 B2 * 2/2008 Lyman 446/486
D678,422 S * 3/2013 Thompson D21/443
2012/0225739 A1 * 9/2012 Cheshire et al. 473/416

* cited by examiner
Primary Examiner — Martie K Holtje
(74) *Attorney, Agent, or Firm* — Justin H. Kim, Esq.; Maxon IP LLC

(57) **CLAIM**
The ornamental design for disk airplane, as shown.

DESCRIPTION
FIG. 1 is a top perspective view of a disk airplane shwoing my new design;
FIG. 2 is a top plan view thereof;
FIG. 3 is a left side view thereof;
FIG. 4 is a right side view thereof;
FIG. 5 is a front view thereof;
FIG. 6 is a rear view thereof; and,
FIG. 7 is a cross-sectional view taken at line 7-7 in FIG. 2.

1 Claim, 7 Drawing Sheets

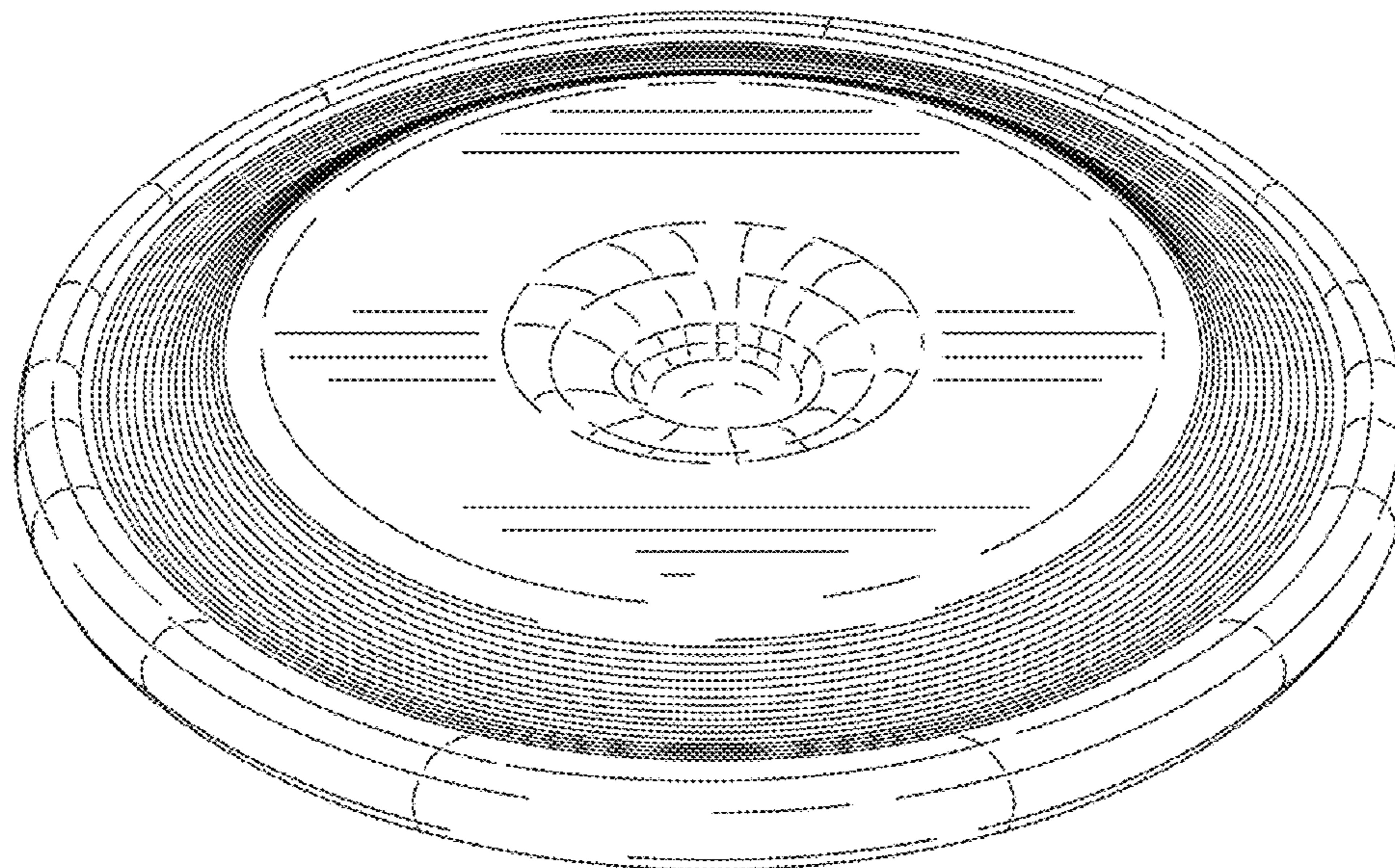


FIG. 1

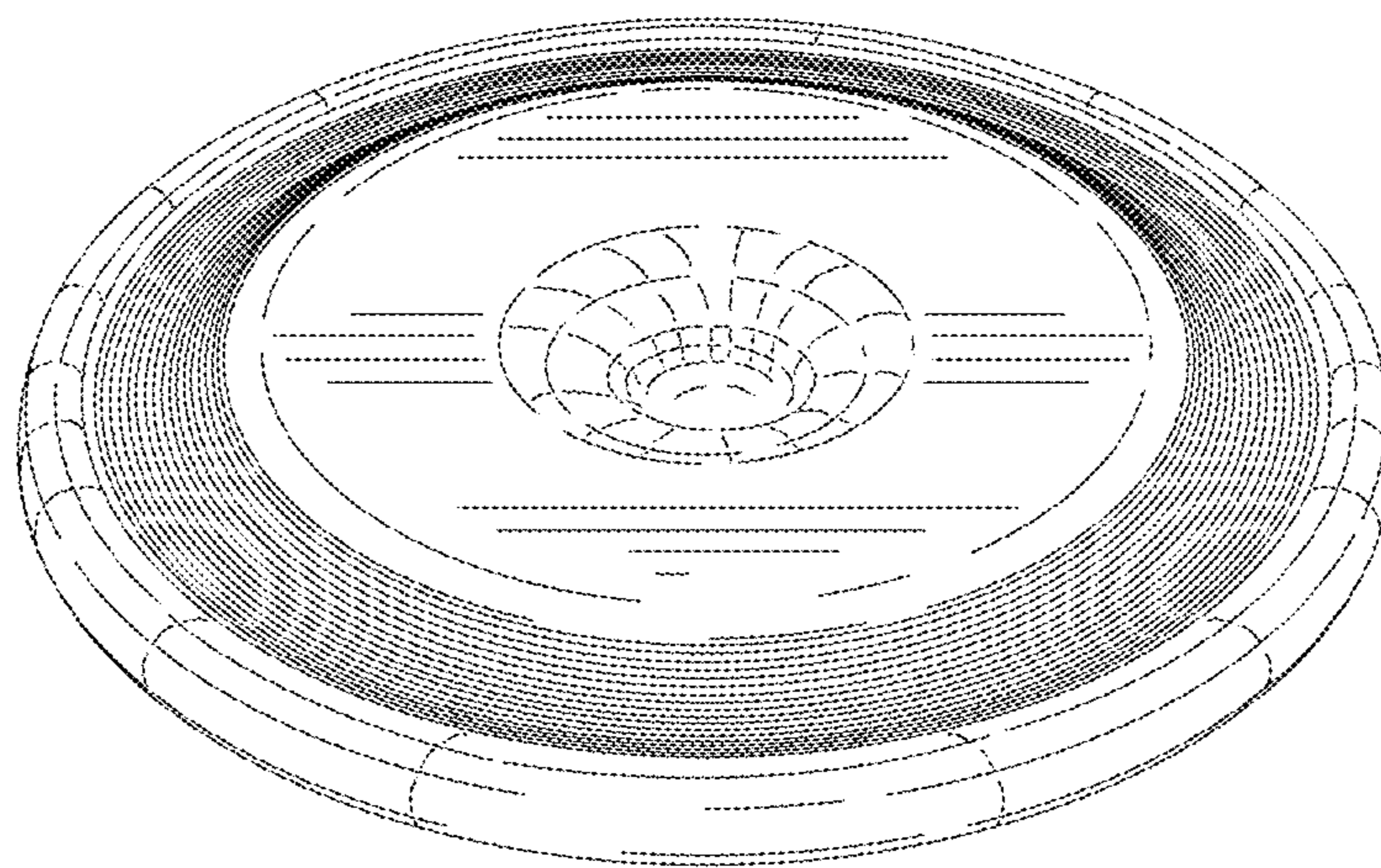


FIG. 2

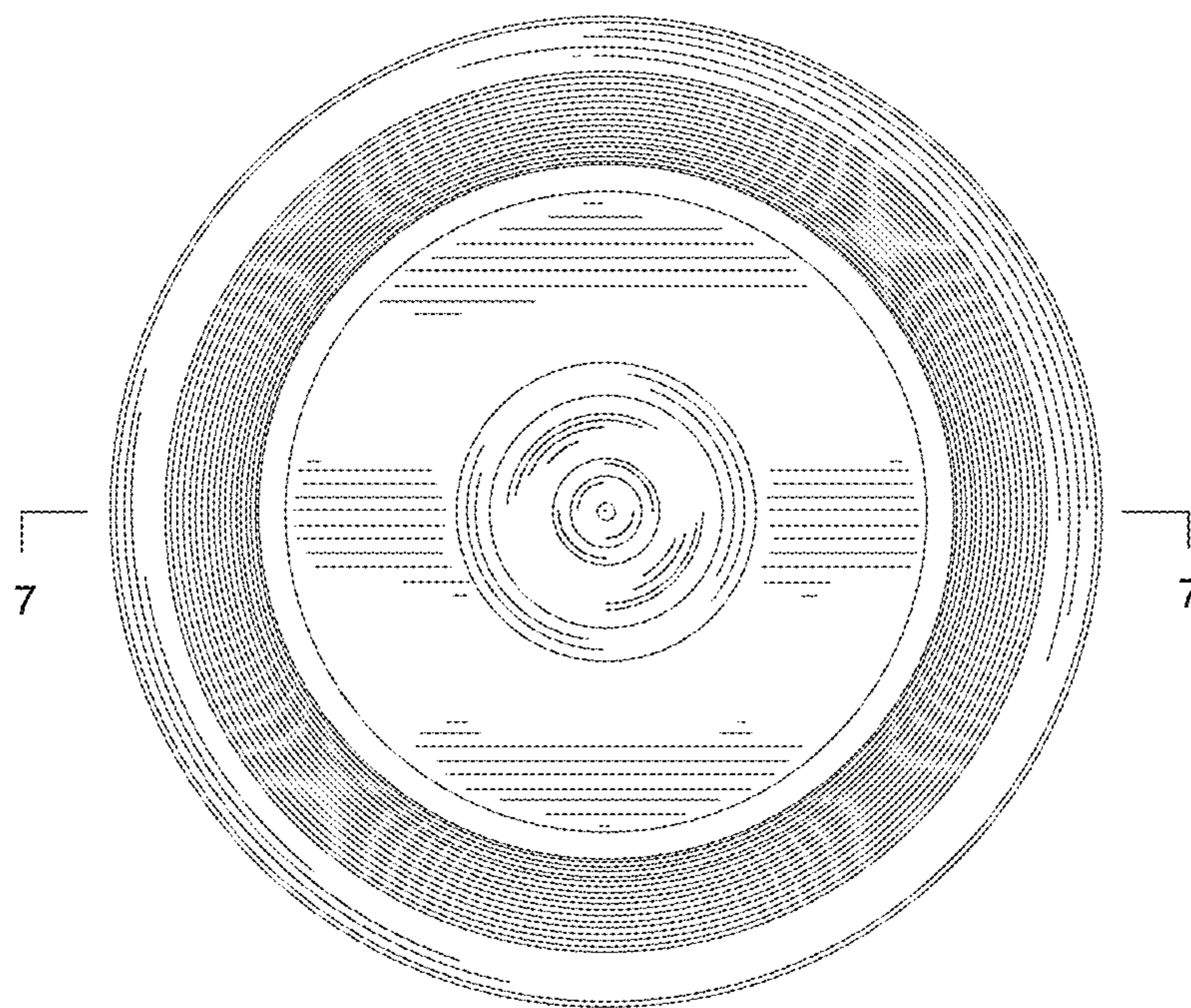


FIG. 3

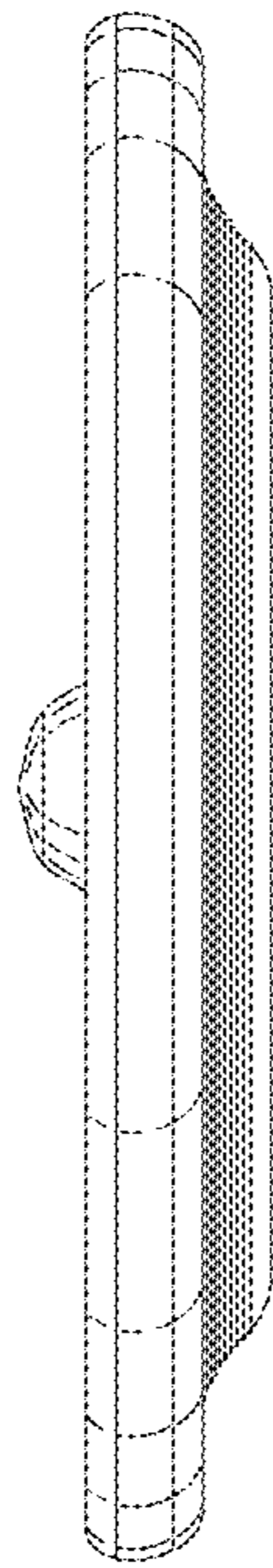


FIG. 4

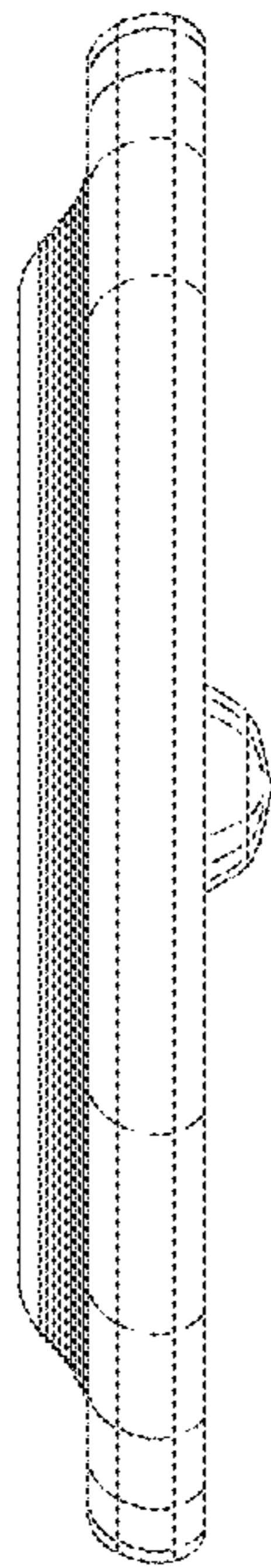


FIG. 5

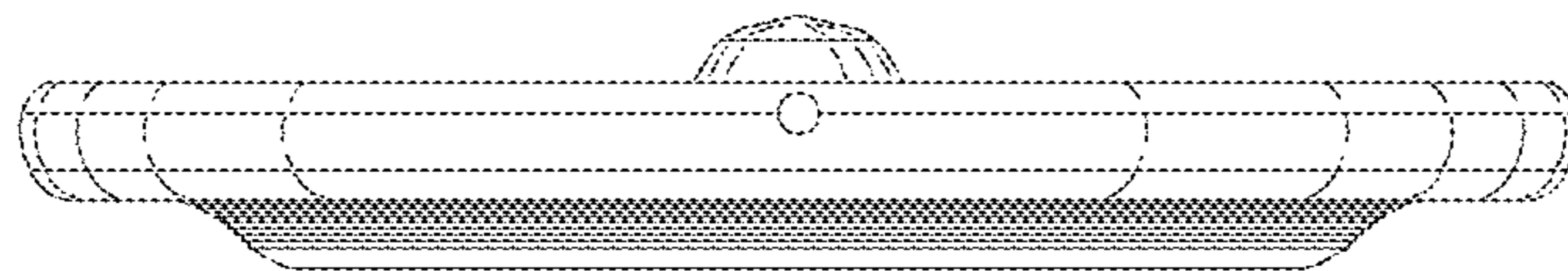


FIG. 6

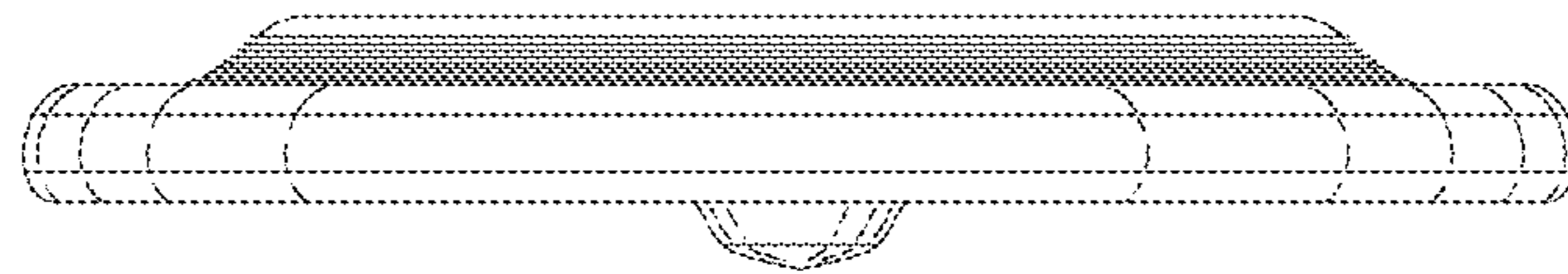


FIG. 7

