



US00D725711S

(12) **United States Design Patent**  
**Herlitz**

(10) **Patent No.:** **US D725,711 S**  
(45) **Date of Patent:** **\*\* Mar. 31, 2015**

- (54) **RIDE ON VEHICLE**
- (71) Applicant: **Radio Flyer Inc.**, Chicago, IL (US)
- (72) Inventor: **Todd Herlitz**, Glenview, IL (US)
- (73) Assignee: **Radio Flyer Inc.**, Chicago, IL (US)
- (\*\*) Term: **14 Years**
- (21) Appl. No.: **29/469,333**
- (22) Filed: **Oct. 9, 2013**
- (51) **LOC (10) Cl.** ..... **21-01**
- (52) **U.S. Cl.**  
USPC ..... **D21/426**
- (58) **Field of Classification Search**  
CPC ..... A63G 13/00; A63G 13/06; A63G 13/10;  
A63G 15/00; A63G 15/02; A63G 15/04;  
B62B 7/00; B62B 7/002; B62B 7/004; B62B  
7/006; B62B 7/008; B62B 7/02; B62B 7/04;  
B62B 7/042; B62B 7/044; B62B 7/06;  
B62B 7/12; B62B 7/126; B62B 7/14; B62B  
7/142; B62B 7/145; B62B 7/147; B62B 9/00;  
B62B 9/28  
USPC ..... D21/419, 423, 424, 425, 426, 427, 428;  
280/87.01, 87.021, 218, 224, 225, 232,  
280/233, 242.1  
See application file for complete search history.

- 4,087,106 A 5/1978 Winchell
- 4,088,338 A 5/1978 Winchell et al.
- 4,123,079 A 10/1978 Biskup
- 4,165,093 A 8/1979 Biskup
- 4,200,304 A 4/1980 Hwang
- 4,281,844 A 8/1981 Jackman et al.
- 4,540,192 A 9/1985 Shelton
- 4,776,604 A 10/1988 Valdez et al.
- 5,039,121 A 8/1991 Holter
- 5,090,716 A 2/1992 Borden

(Continued)

**OTHER PUBLICATIONS**

<<http://plasmacar.com/#page-2>>, PlasmaCar, Ride On Toy, dated at least as early as Jun. 25, 2012.

(Continued)

*Primary Examiner* — Cynthia M Chin  
(74) *Attorney, Agent, or Firm* — McDermott Will & Emery LLP

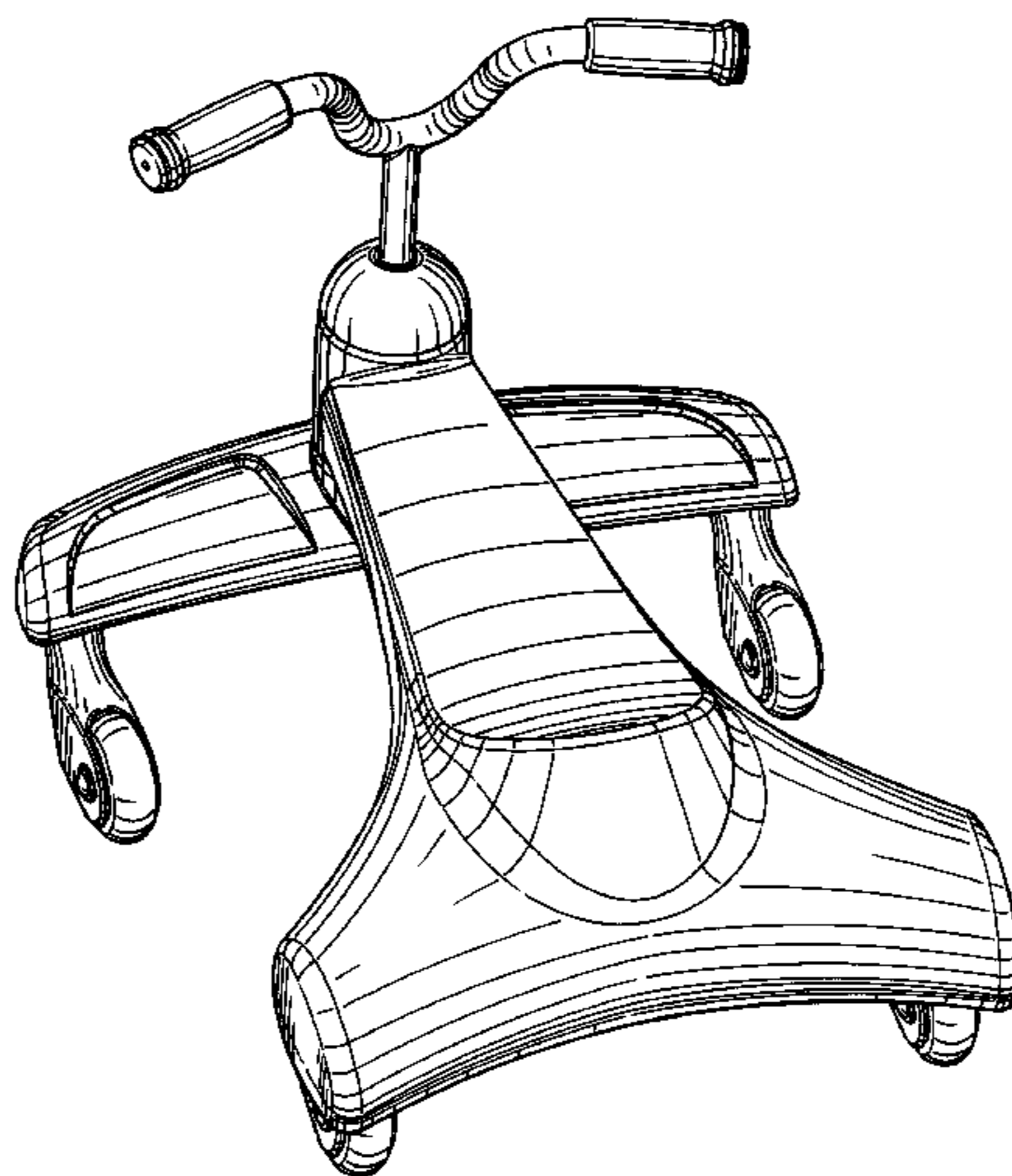
(57) **CLAIM**  
I claim the ornamental design for a ride on vehicle, as shown and described.

**DESCRIPTION**

FIG. 1 is a rear perspective view of a ride on vehicle according to the new design.  
FIG. 2 is a right side view of the ride on vehicle shown in FIG. 1.  
FIG. 3 is a top plan view of the ride on vehicle shown in FIG. 1.  
FIG. 4 is a rear view of the ride on vehicle shown in FIG. 1.  
FIG. 5 is a front view of the ride on vehicle shown in FIG. 1; and  
FIG. 6 is a bottom plan view of the ride on vehicle shown in FIG. 1.  
Features shown in broken lines in the drawings are not part of the claim.

**1 Claim, 4 Drawing Sheets**

- (56) **References Cited**  
U.S. PATENT DOCUMENTS  
210,435 A 12/1878 Root  
837,812 A 5/1908 Johnson  
1,652,284 A 12/1927 Madsen  
2,577,416 A 3/1949 Geisse  
D203,284 S \* 12/1965 Rockwell ..... D21/424  
D208,483 S 9/1967 Walklet  
3,663,038 A 5/1972 Hendricks  
D230,755 S 3/1974 Brightbill  
4,076,270 A 2/1978 Winchell



(56)

**References Cited**

U.S. PATENT DOCUMENTS

D437,364 S 2/2001 Jang  
 D444,184 S 6/2001 Kettler  
 6,250,656 B1 6/2001 Ibarra  
 D448,430 S 9/2001 Wang  
 6,467,781 B1 10/2002 Feng  
 6,499,751 B1 12/2002 Beleski, Jr.  
 D469,819 S 2/2003 Nicolle et al.  
 6,561,534 B2 5/2003 Gu  
 D481,423 S 10/2003 Nien  
 6,719,310 B1 4/2004 Lin  
 6,908,090 B2 6/2005 Chuang  
 6,908,091 B2 6/2005 Chuang  
 6,976,687 B2 12/2005 Beleski, Jr.  
 7,007,962 B2 3/2006 Lai  
 D569,448 S 5/2008 Sramek et al.  
 D582,992 S 12/2008 Alais  
 7,597,334 B2 10/2009 Chen  
 7,681,895 B2 3/2010 Chen  
 7,926,825 B2 4/2011 Chen  
 D654,542 S 2/2012 Chiu et al.  
 8,128,109 B2 3/2012 Chen  
 D706,876 S \* 6/2014 Grout ..... D21/426  
 2001/0040352 A1 11/2001 Wang et al.  
 2004/0032105 A1 2/2004 Tsai

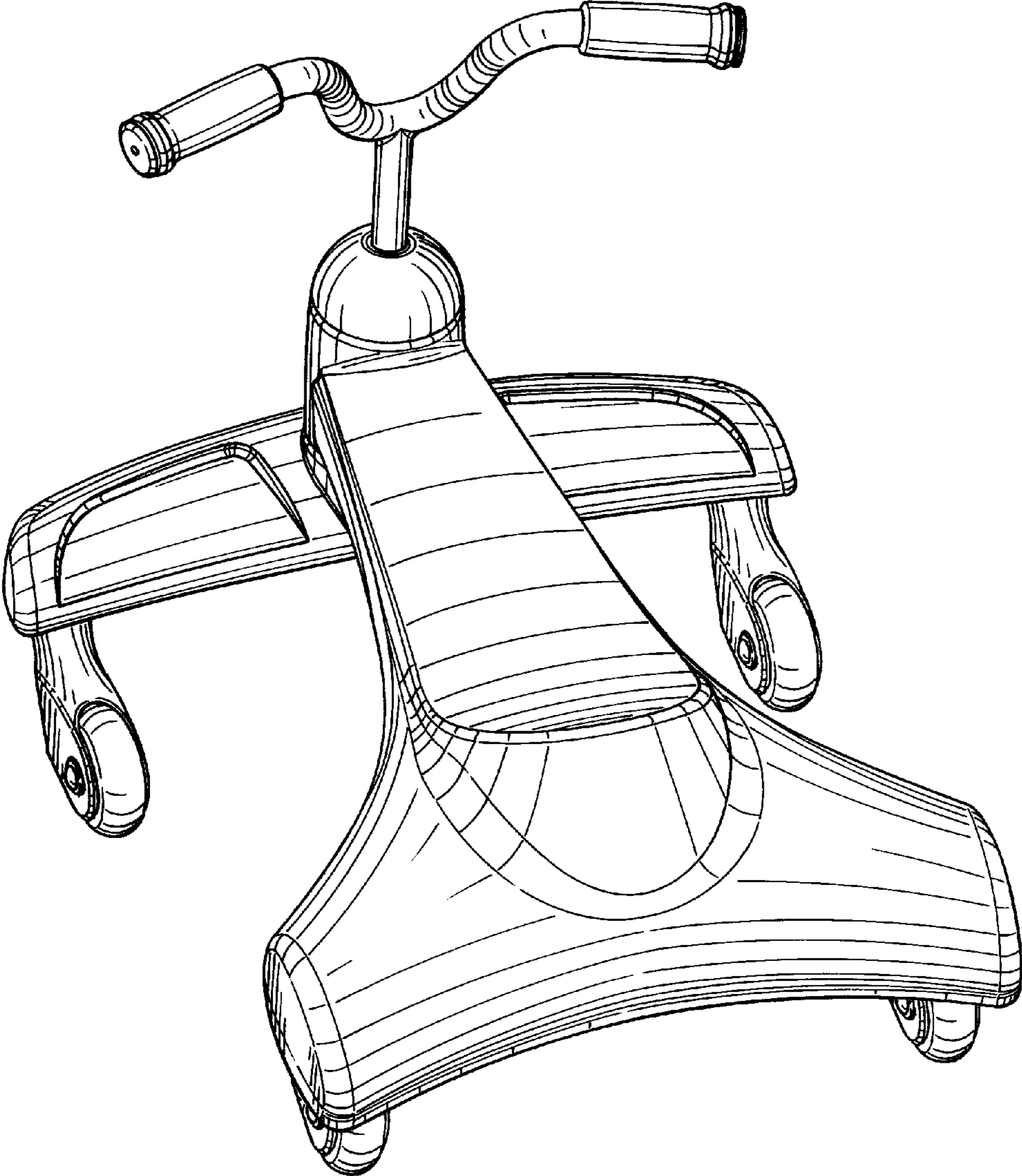
2007/0114743 A1 5/2007 Chen  
 2008/0029985 A1 2/2008 Chen  
 2010/0117316 A1 5/2010 Weiner et al.  
 2011/0018215 A1 1/2011 Kristiansen  
 2011/0227305 A1 9/2011 Chen  
 2011/0241302 A1 10/2011 Lovley, II et al.  
 2012/0080860 A1 4/2012 Park

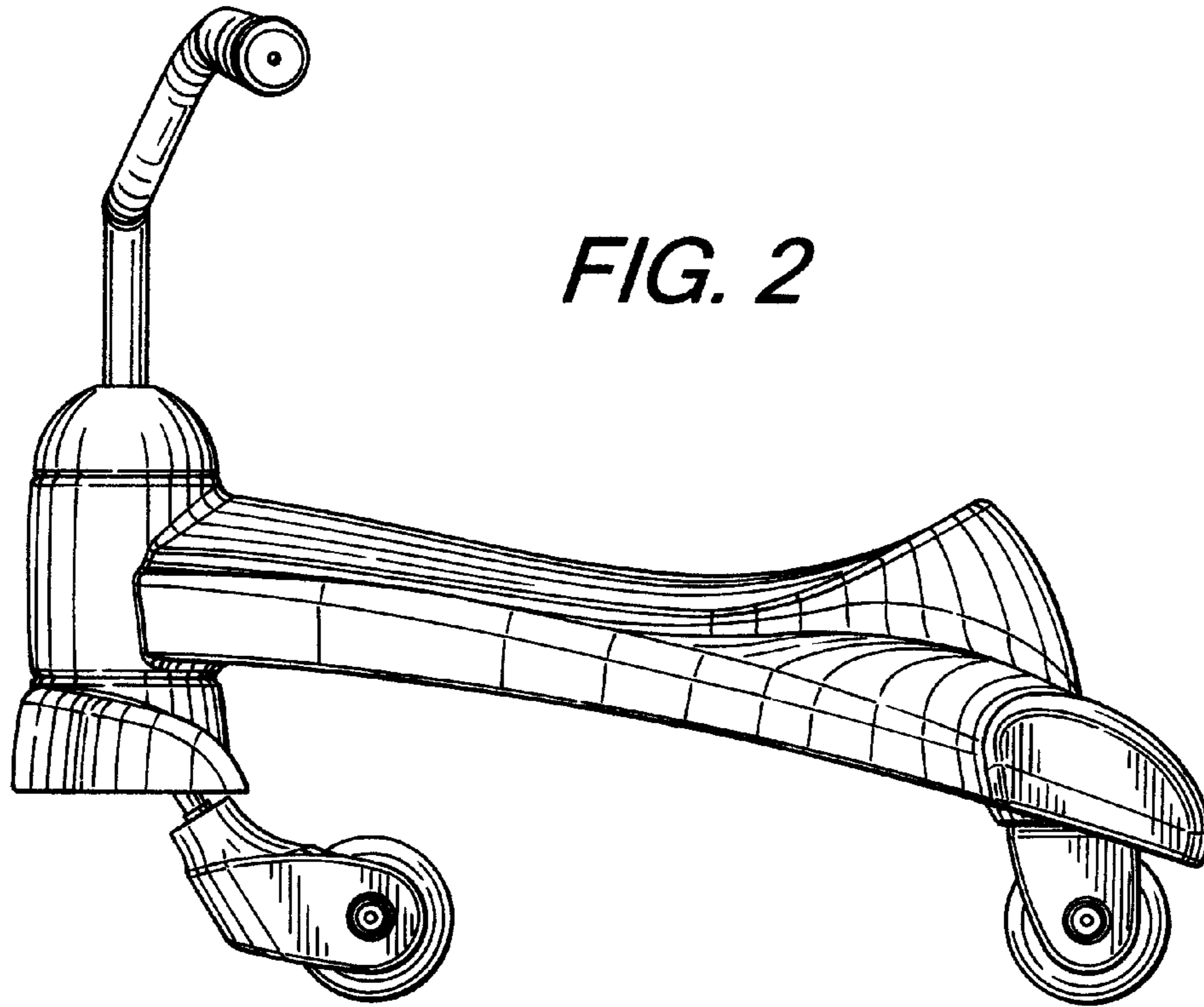
OTHER PUBLICATIONS

<<http://masoncorporation.com/shop/flying-turtle-merch/>>, Flying Turtle Scooter, Ride On Toy, dated at least as early as Jun. 25, 2012.  
 <<http://yvolution.com/products/31-Y-Fliker-A3-Red.html>>, Y Volution Flicker, Ride On Toy, dated at least as early as Jun. 25, 2012.  
 <<http://www.pulsescooters.com/categories/1-products/16-series-kick/>>, Pulse Slither, Scooter, dated at least as early as Jun. 25, 2012.  
 <<http://www.razor.com/products/ripstik/>>, Razor Ripstik, Ride On Toy, dated at least as early as Jun. 25, 2012.  
 <<http://www.razor.com/products/caster-driven/siege/>>, Razor Siege, Scooter, dated at least as early as Jun. 25, 2012.  
 <<http://www.razor.com/products/caster-driven/powerwing/>>, Razor Powerwing, Ride On Toy, dated at least as early as Jun. 25, 2012.  
 Owner's Manual, "Razor RipRider 360° Caster Trike," Ride On Toy, dated at least as early as Jun. 25, 2012.

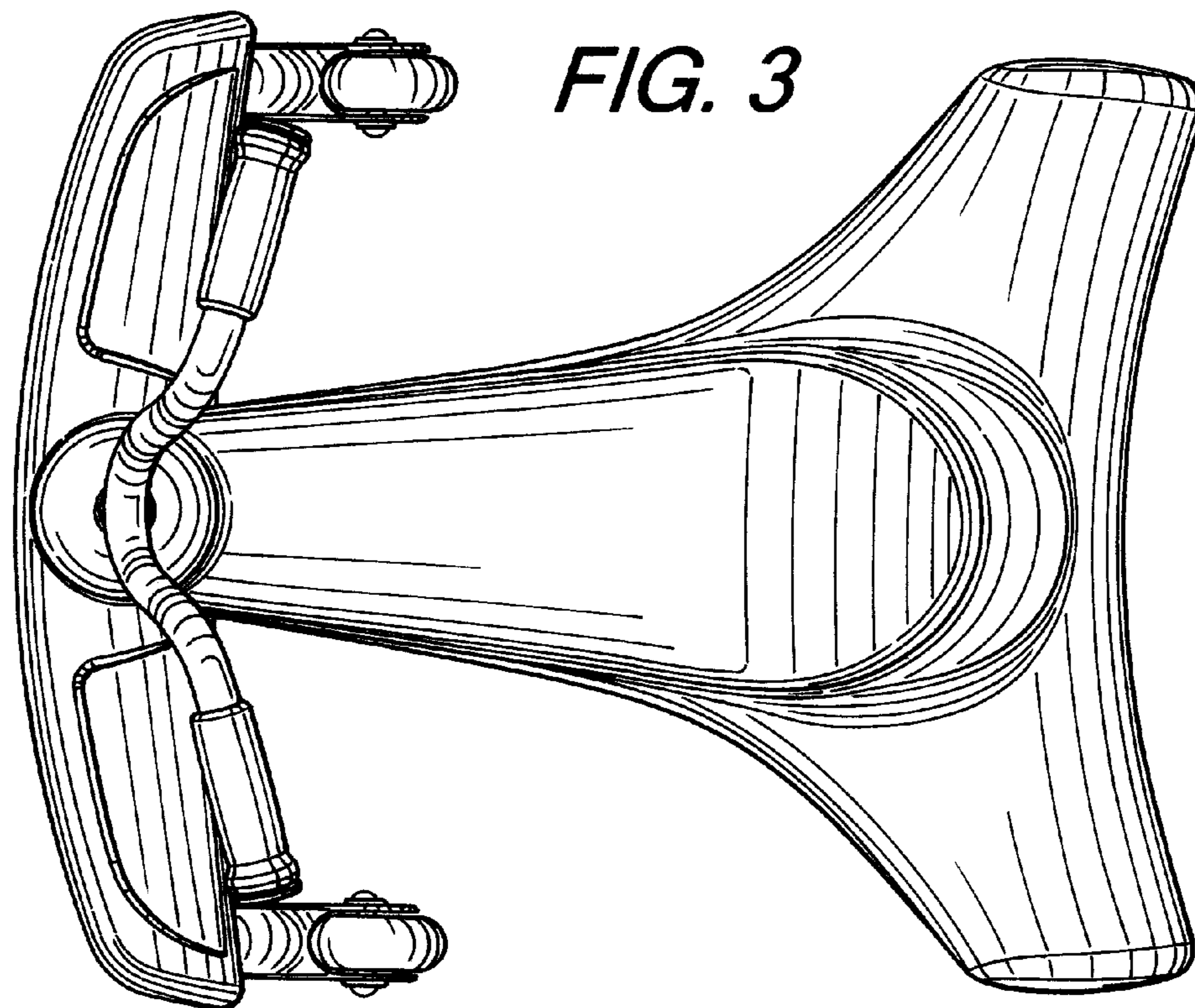
\* cited by examiner

*FIG. 1*



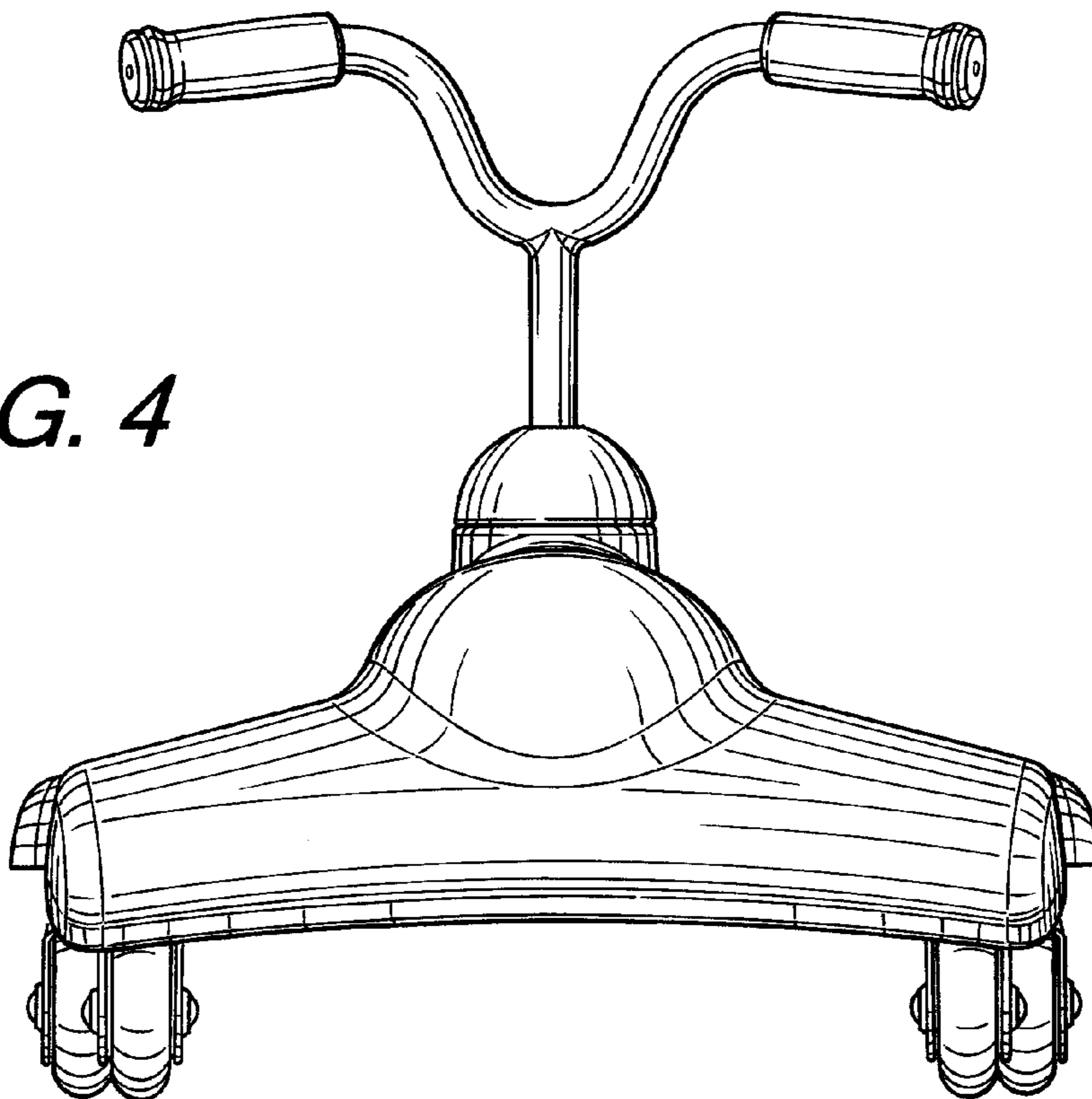


*FIG. 2*

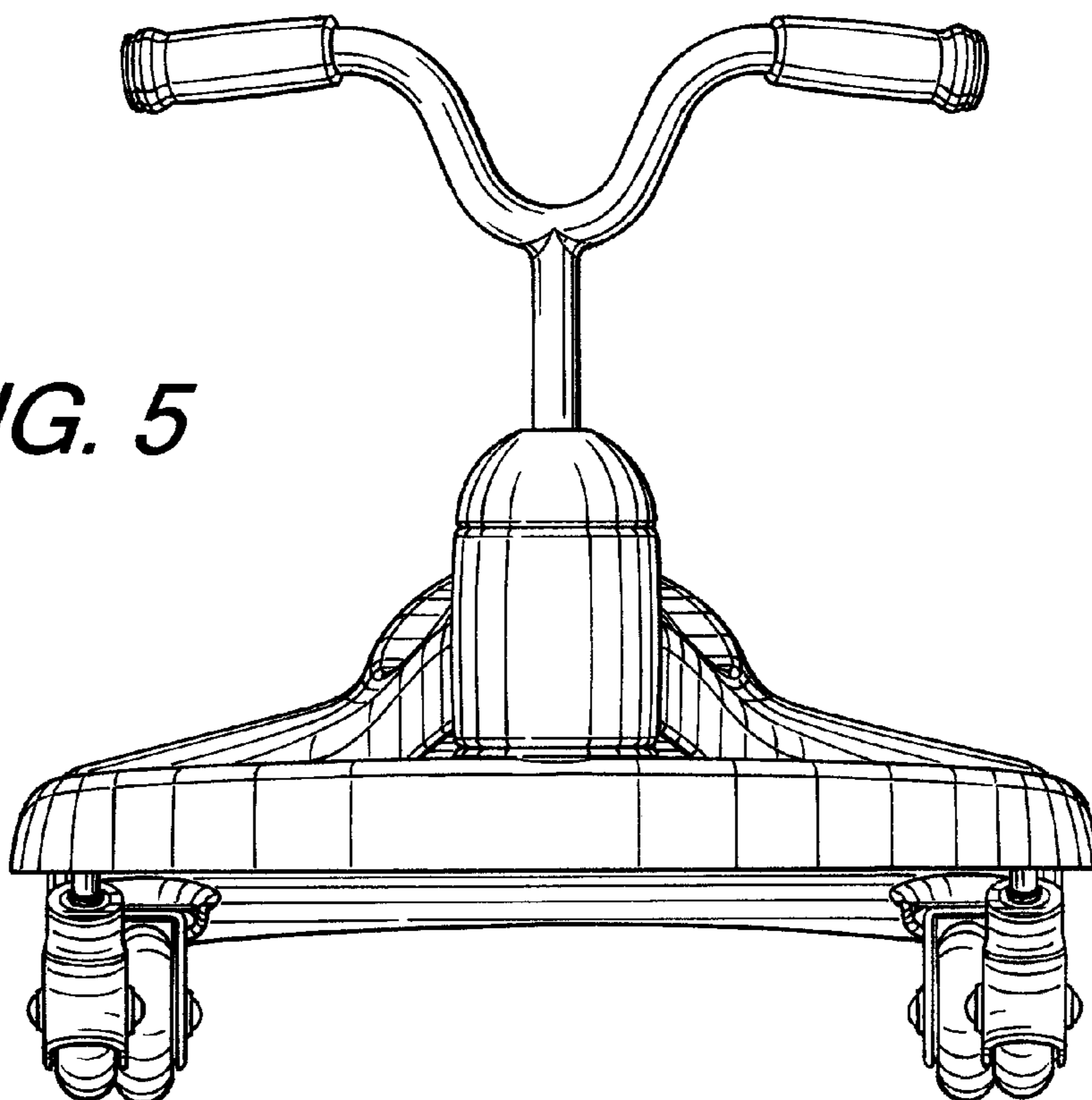


*FIG. 3*

*FIG. 4*



*FIG. 5*



*FIG. 6*

