



US00D725707S

(12) **United States Design Patent**  
**Jiang**

(10) **Patent No.:** **US D725,707 S**  
(45) **Date of Patent:** **\*\* Mar. 31, 2015**

(54) **PEN CAP**

(71) Applicant: **Beifa Group Co., Ltd.**, Ningbo,  
Zhejiang (CN)

(72) Inventor: **Linghua Jiang**, Ningbo (CN)

(73) Assignee: **Beifa Group Co., Ltd.**, Ningbo (CN)

(\*\*) Term: **14 Years**

(21) Appl. No.: **29/478,364**

(22) Filed: **Jan. 3, 2014**

**Related U.S. Application Data**

(62) Division of application No. 29/437,368, filed on Nov.  
15, 2012, now Pat. No. Des. 699,294.

(30) **Foreign Application Priority Data**

May 18, 2012 (CN) ..... 2012 3 0180475

(51) **LOC (10) Cl.** ..... **19-06**

(52) **U.S. Cl.**  
USPC ..... **D19/195**; D19/912; D19/924

(58) **Field of Classification Search**  
USPC ..... D14/411; D19/115–204; 24/11 F, 11 P,  
24/11 R; 401/52, 99–109, 192, 195, 196  
See application file for complete search history.

(56) **References Cited**

**U.S. PATENT DOCUMENTS**

D221,265 S 7/1971 Wakai  
D234,225 S 1/1975 Ito  
D286,790 S 11/1986 Bove  
D311,550 S 10/1990 Yazaki  
D323,349 S 1/1992 Gomez  
D323,529 S 1/1992 Rousseau  
D323,673 S 2/1992 Gomez  
D325,221 S \* 4/1992 Ito ..... D19/57

D330,389 S 10/1992 Katami  
D330,565 S 10/1992 Dallaire  
D338,686 S 8/1993 Ito  
D357,699 S 4/1995 Takashi  
D398,934 S 9/1998 Veillon

(Continued)

**FOREIGN PATENT DOCUMENTS**

DM 062460 1/2003  
DM 062860 3/2003  
EM 000475595-0004 A1 3/2006

**OTHER PUBLICATIONS**

Jiang, L., "Marker," U.S. Appl. No. 29/433,654, filed Oct. 2, 2012.

(Continued)

*Primary Examiner* — Elizabeth Albert

(74) *Attorney, Agent, or Firm* — Christensen O'Connor  
Johnson Kindness PLLC

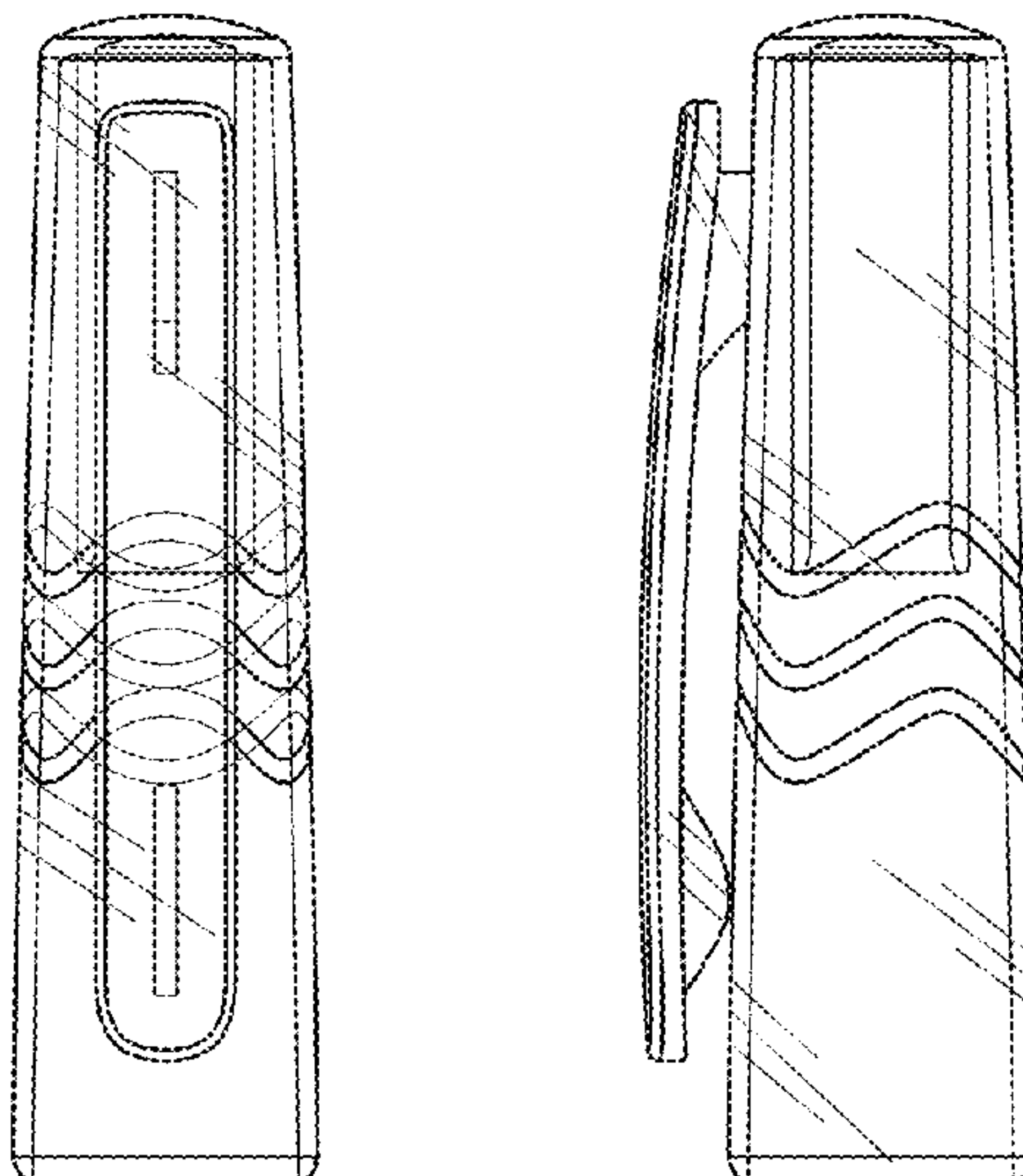
(57) **CLAIM**

The ornamental design for a pen cap, as shown and described.

**DESCRIPTION**

FIG. 1 is a top front perspective view of a pen cap showing my new design;  
FIG. 2 is a front elevation view thereof;  
FIG. 3 is a right side elevation view thereof, with the left side elevation view being a mirror image of the right side elevation view;  
FIG. 4 is a rear elevation view thereof;  
FIG. 5 is a top plan view thereof;  
FIG. 6 is a bottom plan view thereof;  
FIG. 7 is an enlarged top plan view thereof; and,  
FIG. 8 is an enlarged bottom plan view thereof.  
The broken lines in FIGS. 6 and 8 that define the bounds of the claimed design form no part thereof.

**1 Claim, 3 Drawing Sheets**



(56)

**References Cited**

U.S. PATENT DOCUMENTS

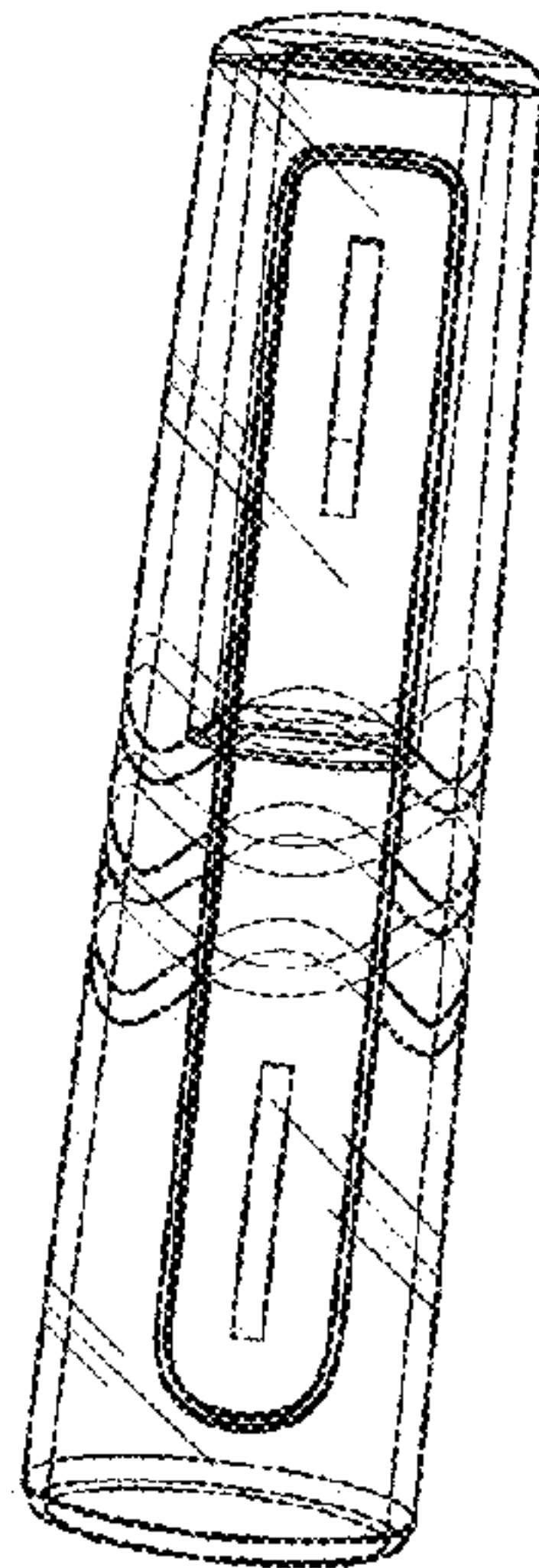
D411,237 S 6/1999 Izushima  
 D428,441 S 7/2000 Isobe  
 D436,127 S 1/2001 Hung  
 D442,992 S \* 5/2001 Chevalier ..... D19/48  
 D448,407 S \* 9/2001 Huang ..... D19/43  
 D458,305 S \* 6/2002 Iwase et al. .... D19/43  
 D499,441 S 12/2004 Banker  
 D499,762 S 12/2004 Shova  
 D501,512 S 2/2005 Shova  
 D502,739 S 3/2005 Shova  
 D539,845 S 4/2007 Hamilton  
 D540,381 S 4/2007 Qiu  
 D545,366 S 6/2007 Ternovits  
 D562,396 S 2/2008 Qiu  
 D568,932 S 5/2008 Qiu  
 D572,306 S 7/2008 Qiu  
 D576,212 S 9/2008 Qiu  
 D580,975 S 11/2008 Yu  
 D588,641 S 3/2009 Koch  
 D596,230 S 7/2009 Tan  
 D598,954 S 8/2009 Wang

D601,627 S 10/2009 Liu  
 D602,086 S 10/2009 Liu  
 D602,528 S 10/2009 Takanashi  
 D605,700 S 12/2009 Ma  
 D607,512 S \* 1/2010 Qiu et al. .... D19/48  
 D611,095 S 3/2010 Liu  
 D611,096 S 3/2010 Liu  
 D611,097 S 3/2010 Liu  
 D616,498 S 5/2010 Zhang  
 D616,935 S 6/2010 Zhang  
 D638,061 S 5/2011 Wang  
 D638,062 S 5/2011 Wang  
 D641,738 S 7/2011 Perez  
 D659,758 S 5/2012 Kim  
 D667,501 S 9/2012 Avenatti  
 D670,762 S 11/2012 Fleming  
 D689,932 S \* 9/2013 Jin ..... D19/164  
 D691,196 S 10/2013 Lv  
 D695,831 S 12/2013 Xie  
 D704,772 S \* 5/2014 Jin ..... D19/169

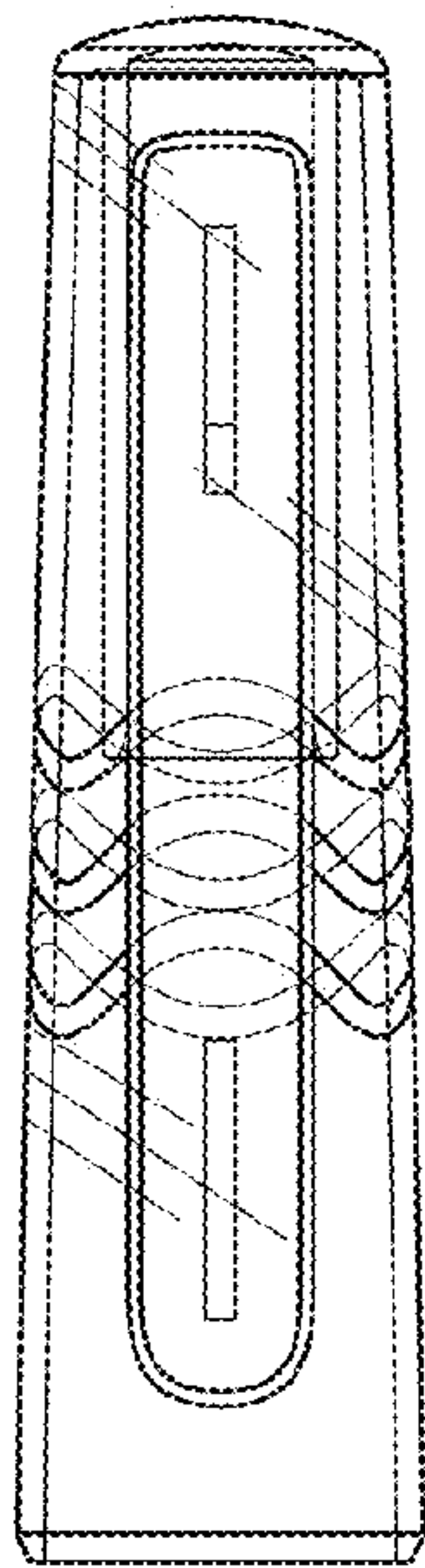
OTHER PUBLICATIONS

Jin, R., "Pen," U.S. Appl. No. 29/428,525, filed Jul. 31, 2012.

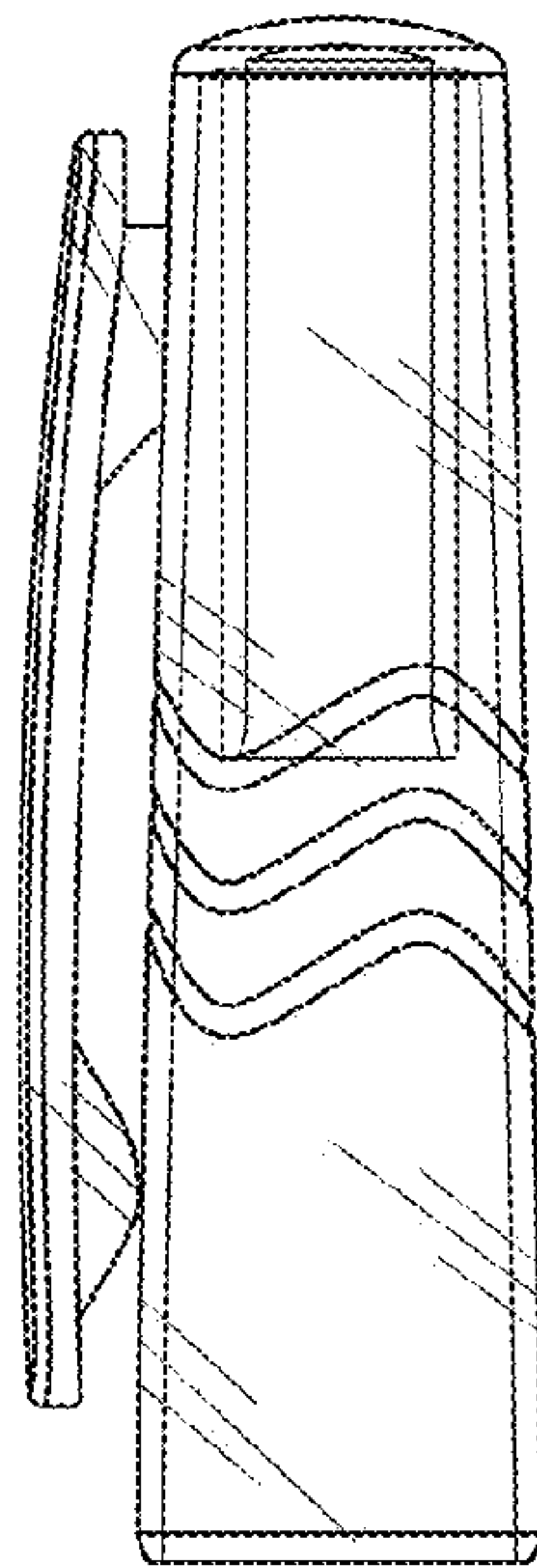
\* cited by examiner



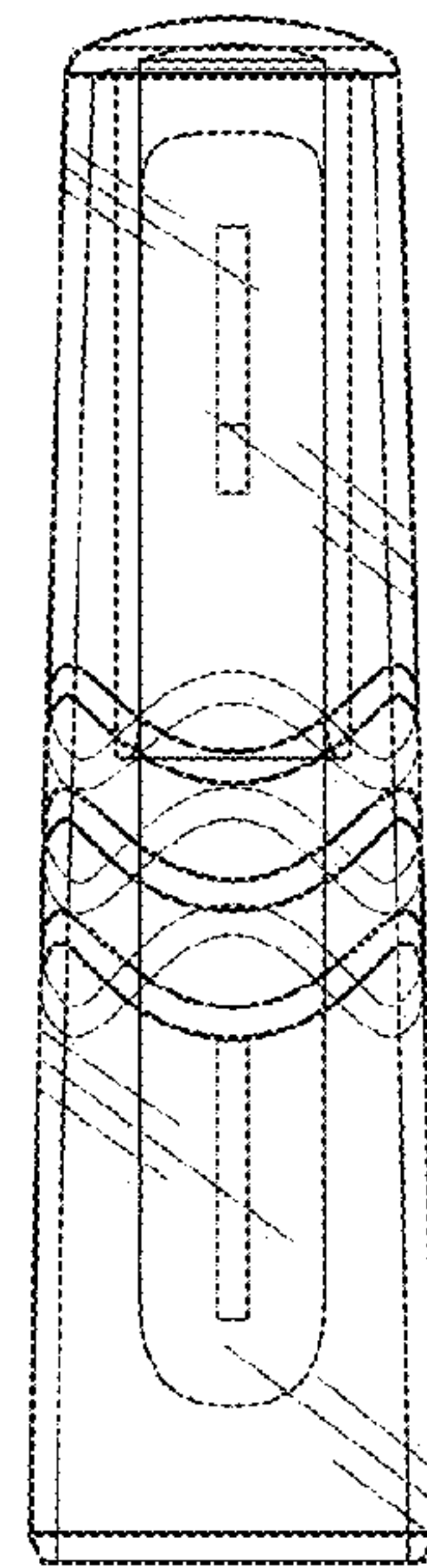
*Fig. 1.*



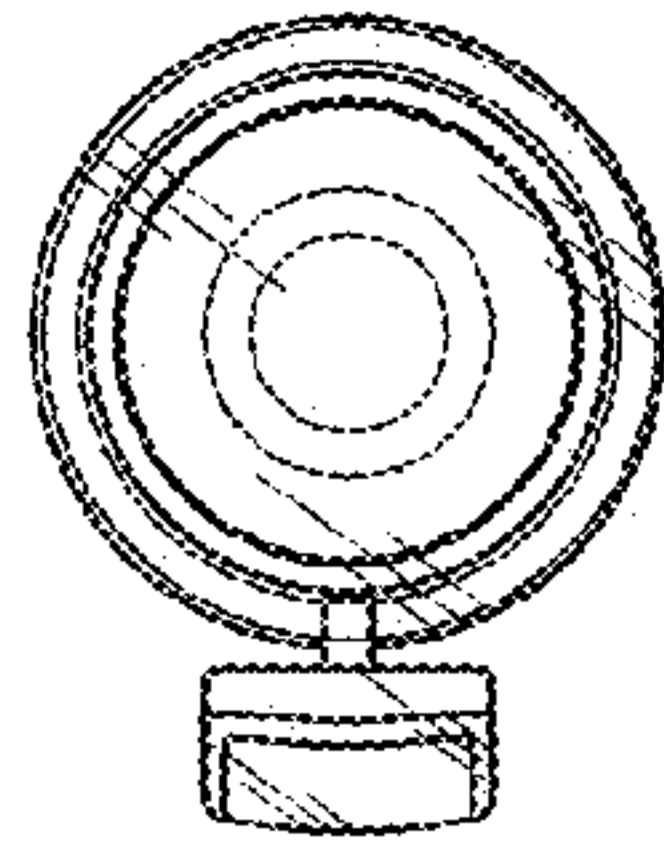
*Fig. 2.*



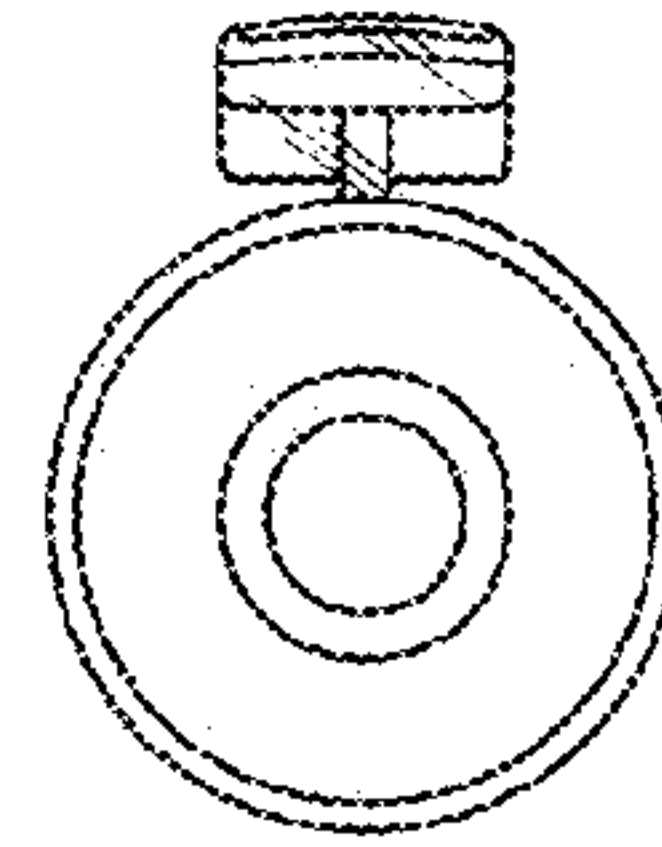
*Fig. 3.*



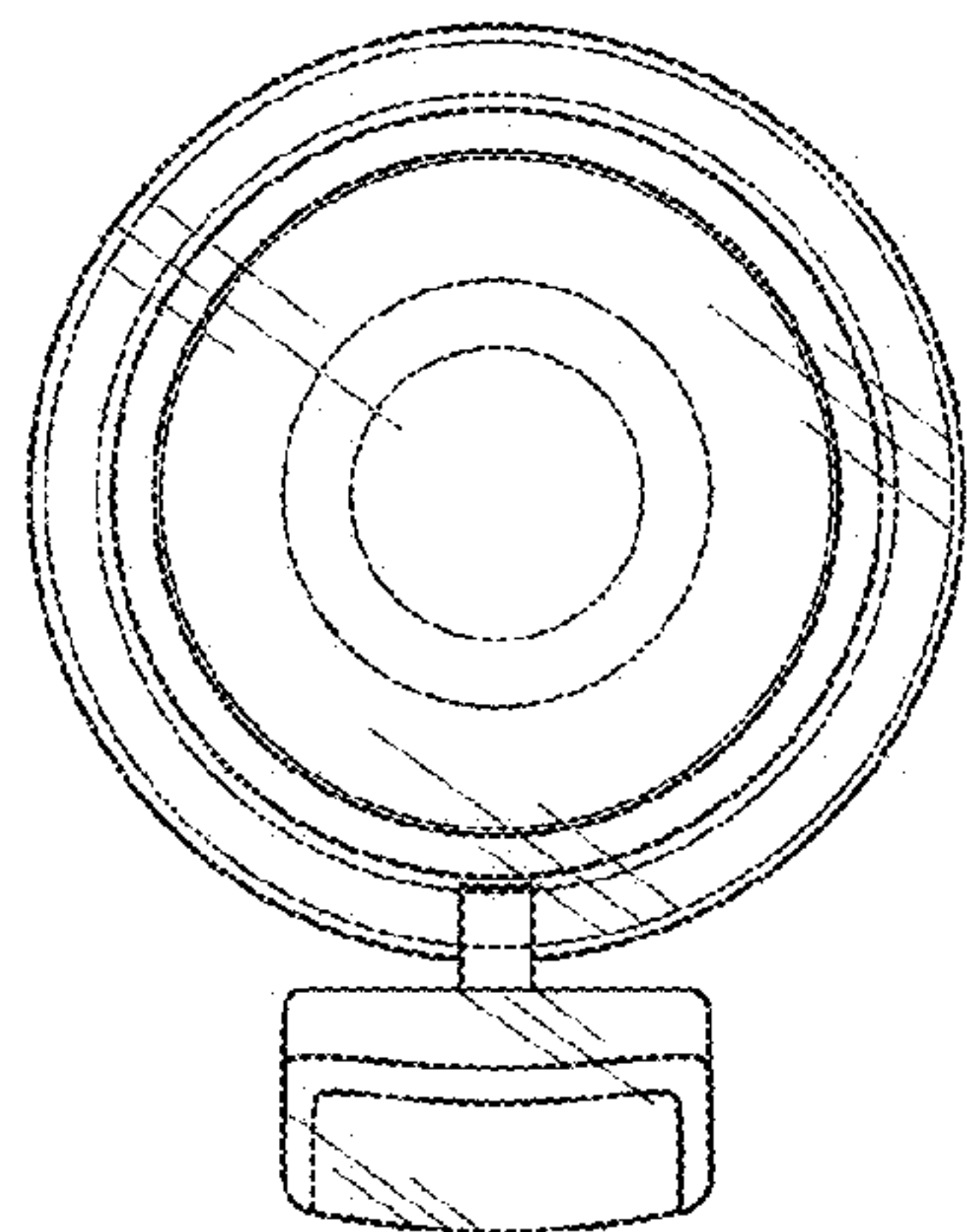
*Fig. 4.*



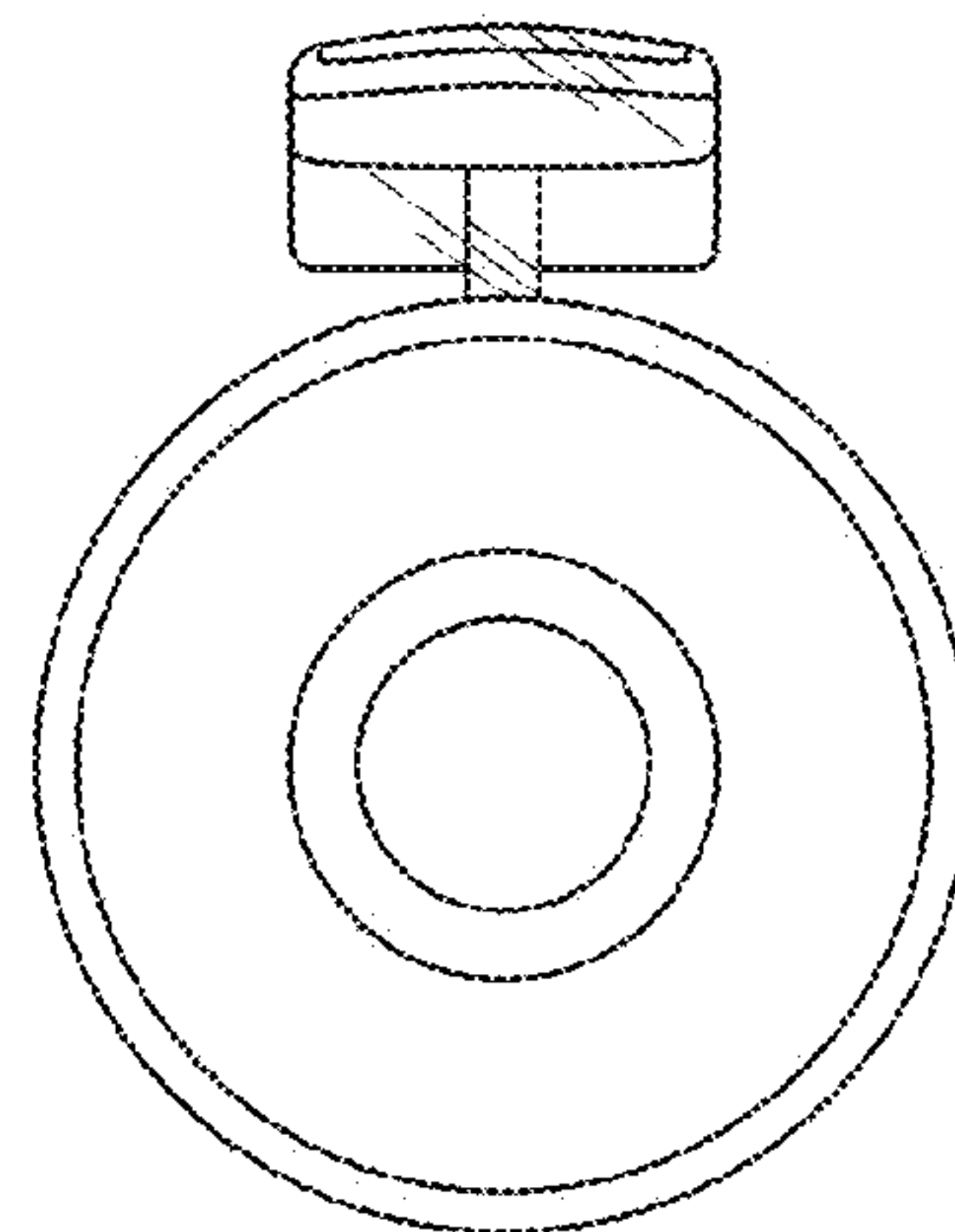
*Fig. 5.*



*Fig. 6.*



*Fig. 7.*



*Fig. 8.*