



US00D725705S

(12) **United States Design Patent**
Jiang

(10) **Patent No.:** **US D725,705 S**
(45) **Date of Patent:** **** Mar. 31, 2015**

(54) **MARKER**
(71) Applicant: **Beifa Group Co., Ltd.**, Ningbo,
Zhejiang (CN)
(72) Inventor: **Linghua Jiang**, Ningbo (CN)
(73) Assignee: **Beifa Group Co., Ltd.**, Ningbo (CN)
(**) Term: **14 Years**

D330,389 S 10/1992 Katami
D330,565 S 10/1992 Dallaire
D338,686 S 8/1993 Ito
D357,699 S 4/1995 Takanashi
D370,497 S 6/1996 Moore
D398,934 S 9/1998 Veillon
D400,921 S 11/1998 Ting
D401,278 S 11/1998 Hu
D411,237 S 6/1999 Izushima
D428,441 S 7/2000 Isobe

(Continued)

(21) Appl. No.: **29/478,356**
(22) Filed: **Jan. 3, 2014**

FOREIGN PATENT DOCUMENTS

EM 000341144-0001 A1 7/2005
EM 000675590-0003 A1 3/2007

(Continued)

Related U.S. Application Data

(62) Division of application No. 29/433,654, filed on Oct. 2, 2012, now Pat. No. Des. 699,290.

OTHER PUBLICATIONS

Jiang, L., "Pen Cap," U.S. Appl. No. 29/437,368, filed Nov. 15, 2012.

(30) **Foreign Application Priority Data**

Apr. 6, 2012 (CN) 2012 3 0097307

(51) **LOC (10) Cl.** **19-06**

(52) **U.S. Cl.**
USPC **D19/168**; D19/912; D19/924

(58) **Field of Classification Search**
USPC D14/411; D19/115-204; 24/11 F, 11 P,
24/11 R; 401/52, 99-109, 192, 195, 196
See application file for complete search history.

Primary Examiner — Elizabeth Albert

(74) *Attorney, Agent, or Firm* — Christensen O'Connor
Johnson Kindness PLLC

(57) **CLAIM**

The ornamental design for a marker, as shown and described.

DESCRIPTION

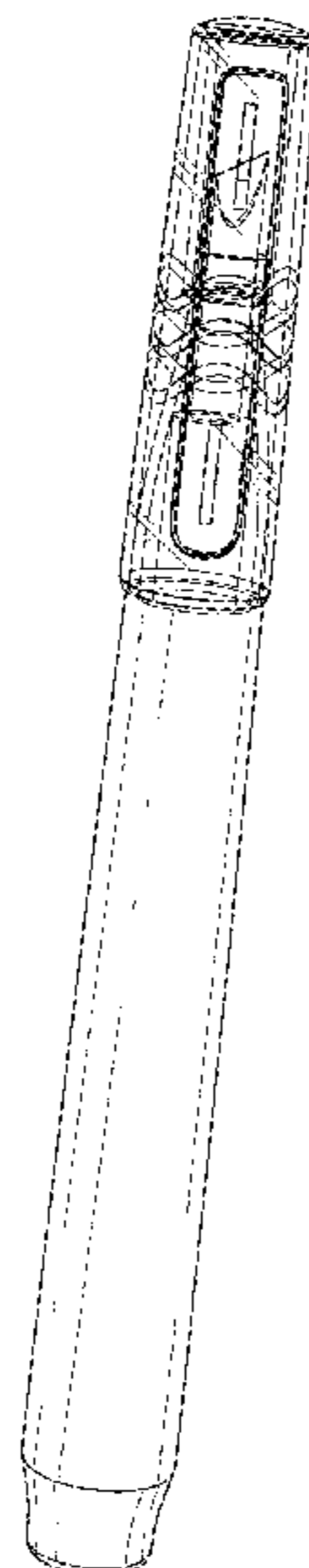
FIG. 1 is a top front perspective view of a marker showing my new design;
FIG. 2 is a front elevation view thereof;
FIG. 3 is a right side elevation view thereof;
FIG. 4 is a rear elevation view thereof;
FIG. 5 is a left side elevation view thereof;
FIG. 6 is a top plan view thereof;
FIG. 7 is a bottom plan view thereof;
FIG. 8 is an enlarged top plan view thereof; and,
FIG. 9 is an enlarged bottom plan view thereof.

1 Claim, 4 Drawing Sheets

(56) **References Cited**

U.S. PATENT DOCUMENTS

D234,225 S 1/1975 Ito
D252,911 S 9/1979 Levy
D259,792 S 7/1981 Itoh
D286,790 S 11/1986 Bove
D305,245 S 12/1989 Chuang
D311,550 S 10/1990 Yazaki
D323,529 S 1/1992 Rousseau
D323,673 S 2/1992 Gomez



(56)

References Cited

U.S. PATENT DOCUMENTS

D442,992 S 5/2001 Chevalier
D448,407 S 9/2001 Huang
D458,305 S 6/2002 Iwase
D478,350 S 8/2003 Furlong
D499,137 S 11/2004 Shibata
D500,338 S 12/2004 Kommer
D545,366 S 6/2007 Ternovits
D547,375 S 7/2007 Gerules
D562,396 S 2/2008 Qiu
D568,932 S 5/2008 Qiu
D572,306 S 7/2008 Qiu
D601,193 S 9/2009 Li
D601,627 S 10/2009 Liu
D602,083 S 10/2009 Ma
D602,088 S 10/2009 Ma
D602,528 S 10/2009 Takanashi

D605,700 S 12/2009 Ma
D607,512 S 1/2010 Qiu
D610,617 S 2/2010 Zhang
D641,783 S 7/2011 Lira-Nunez
D659,758 S 5/2012 Kim
D667,501 S 9/2012 Avenatti
D670,762 S 11/2012 Fleming
D678,944 S 3/2013 Xie
D679,322 S 4/2013 Martin
D689,932 S * 9/2013 Jin D19/164
D691,196 S 10/2013 Lv
D704,772 S * 5/2014 Jin D19/169

FOREIGN PATENT DOCUMENTS

EM 000903844-0011 A1 4/2008
WO 062860 3/2003

* cited by examiner

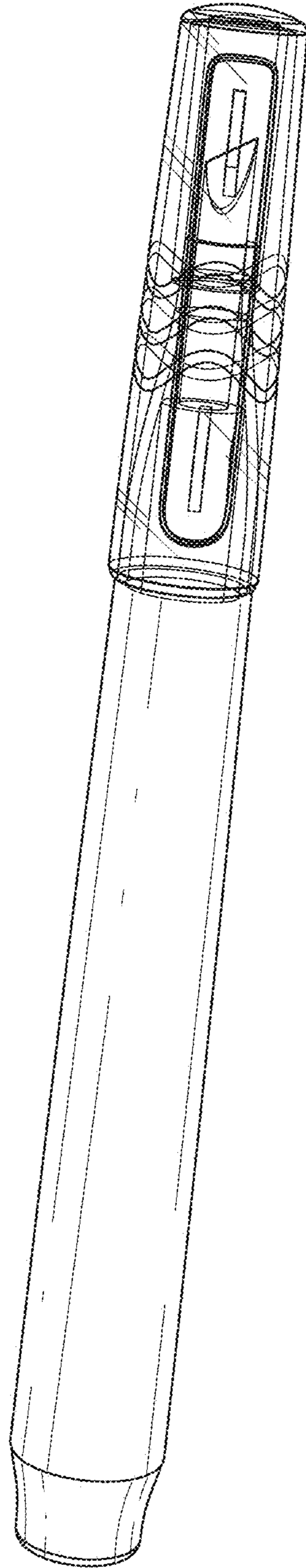


Fig. 1.

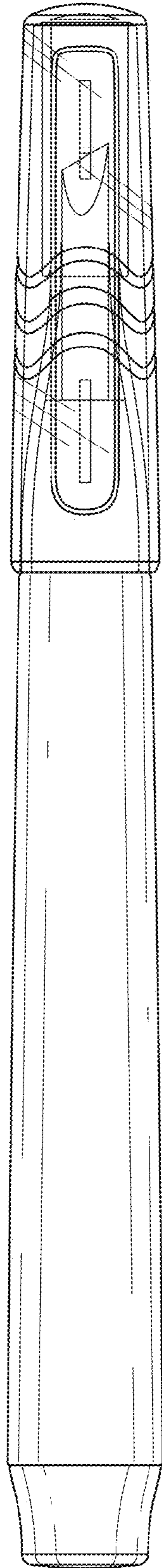


Fig. 2.

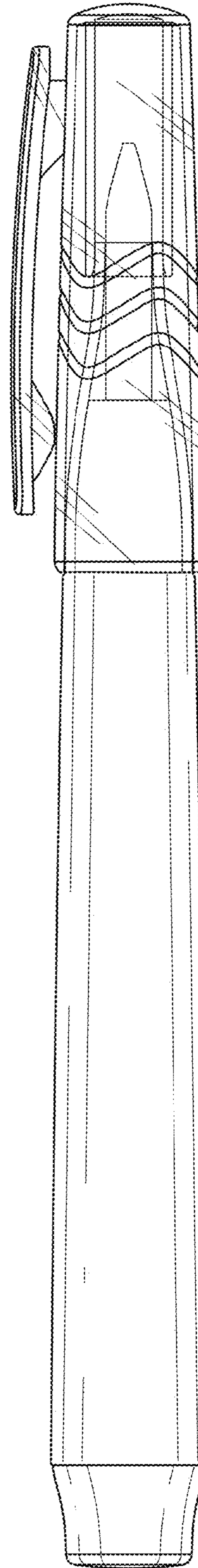


Fig. 3.

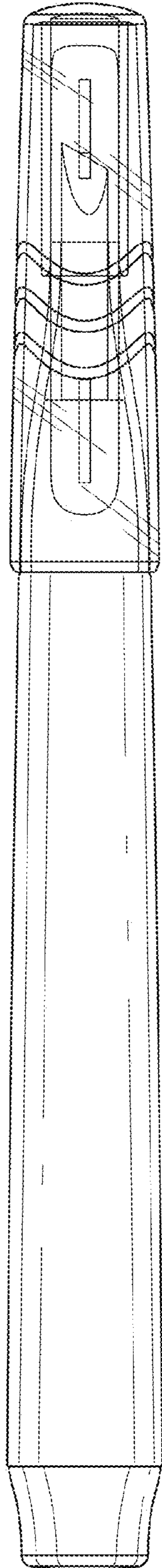


Fig. 4.

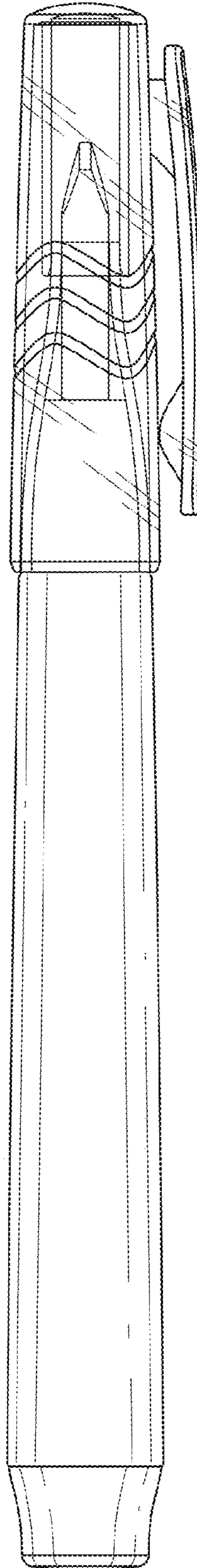


Fig. 5.

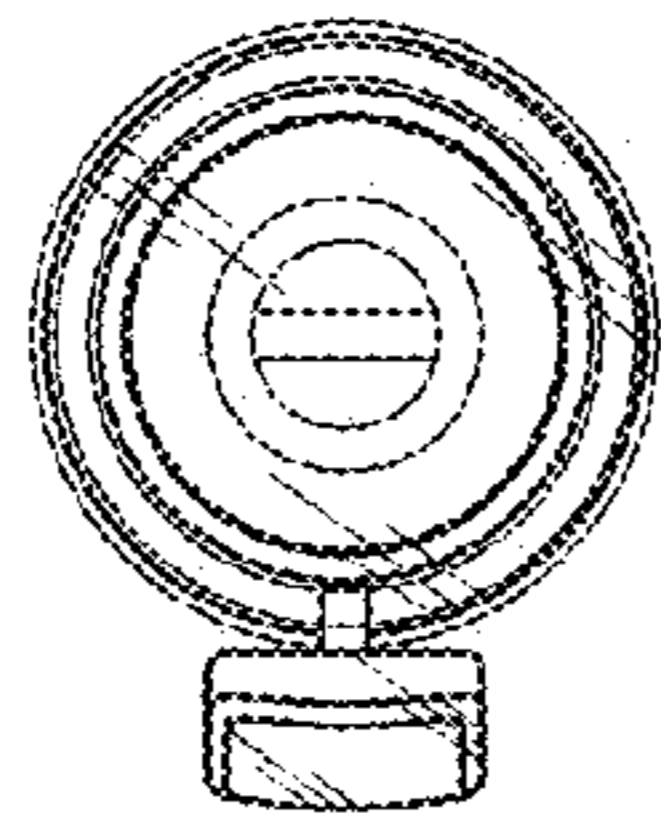


Fig. 6.

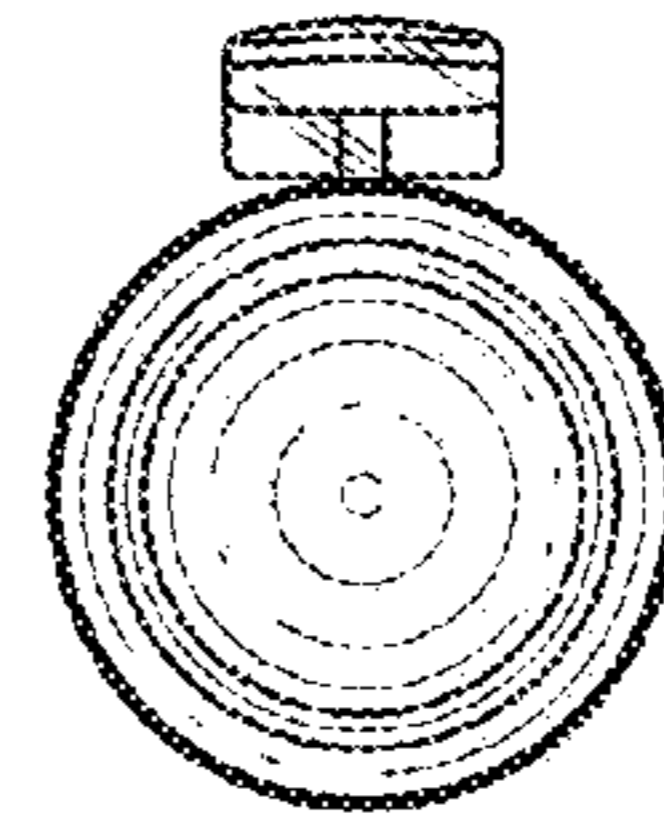


Fig. 7.

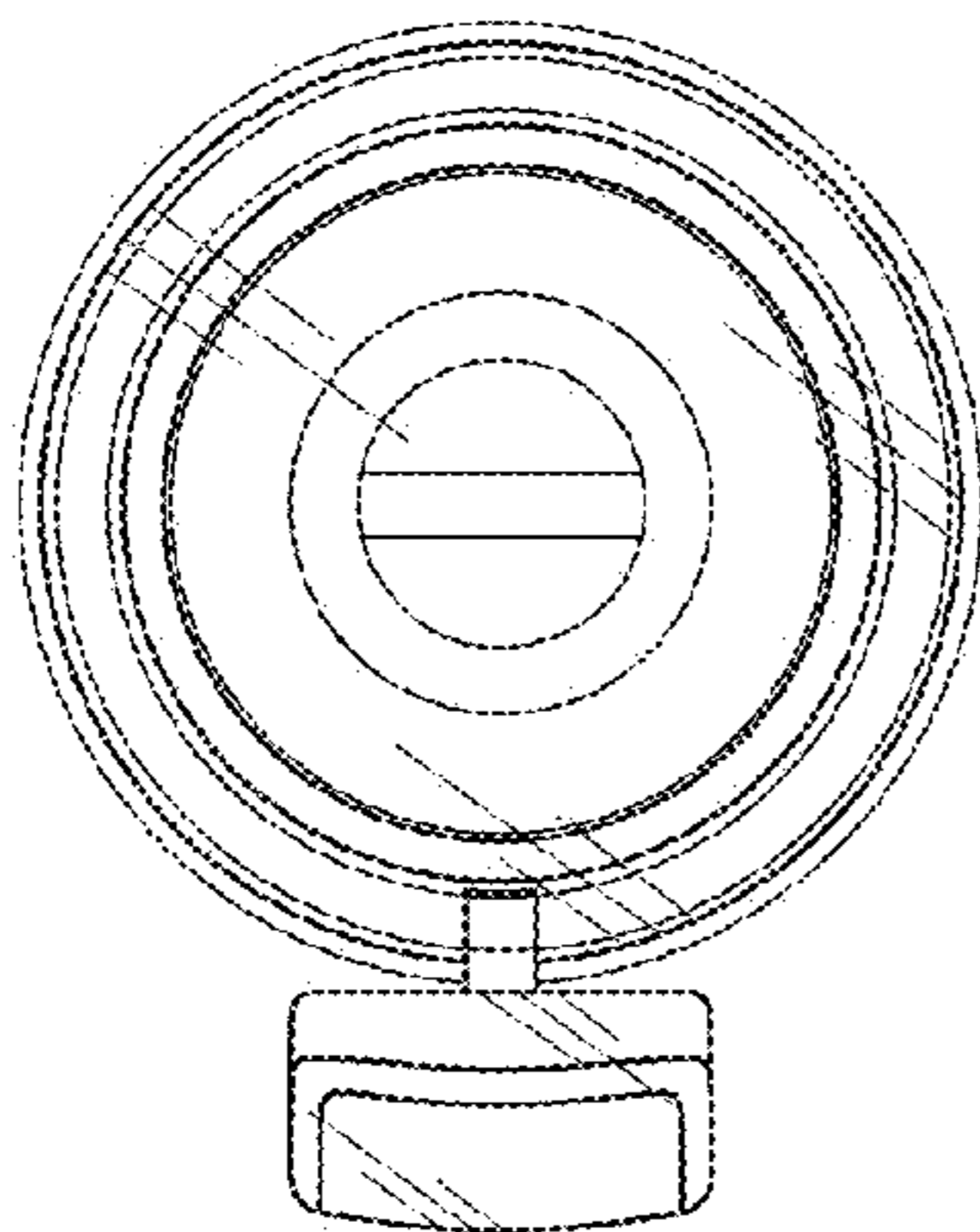


Fig. 8.

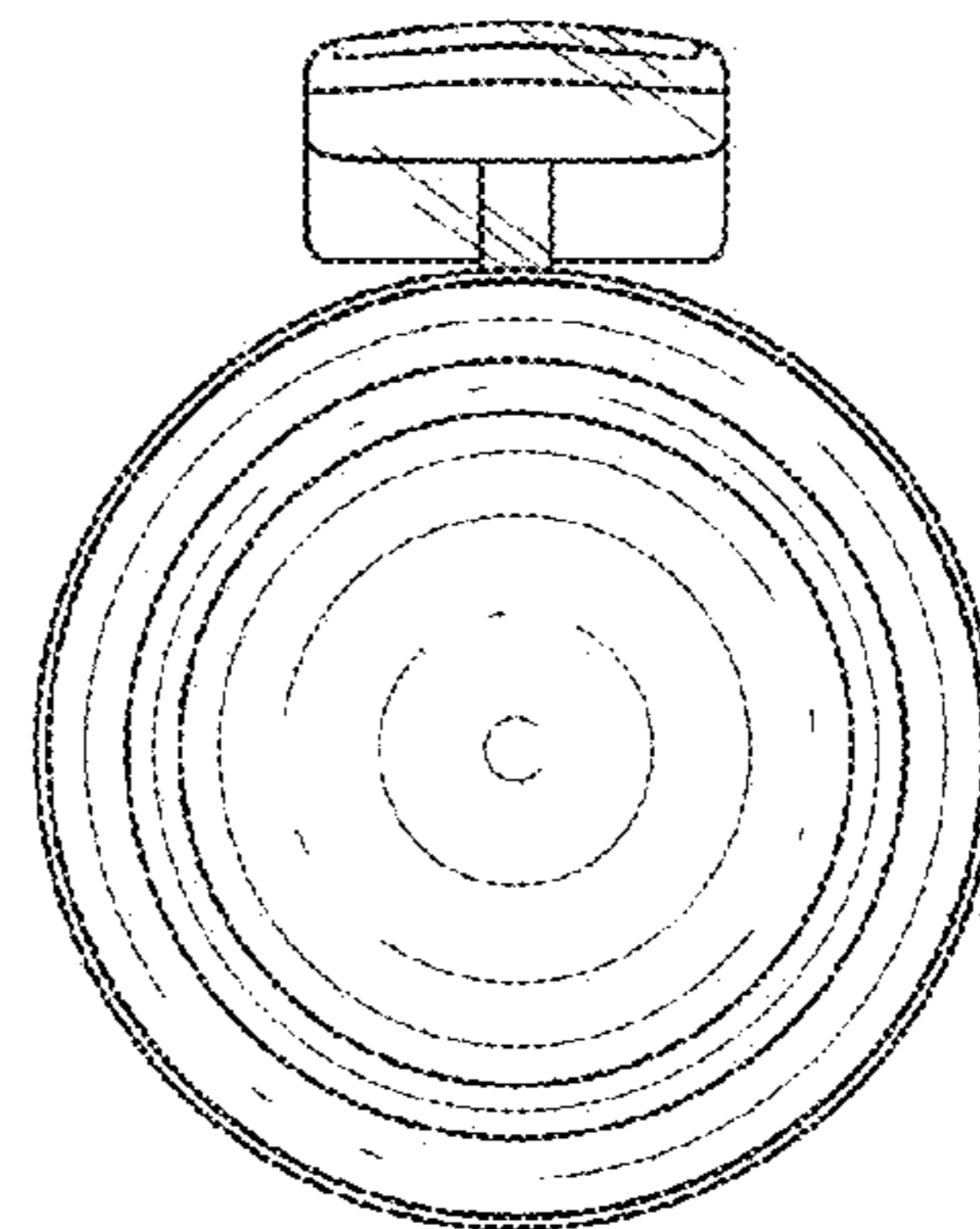


Fig. 9.