



US00D725703S

(12) **United States Design Patent**
Yarish

(10) **Patent No.:** **US D725,703 S**
(45) **Date of Patent:** **** Mar. 31, 2015**

- (54) **SET OF SCORING CLIPS**
- (71) Applicant: **Bruce Yarish**, Littleton, CO (US)
- (72) Inventor: **Bruce Yarish**, Littleton, CO (US)
- (**) Term: **14 Years**
- (21) Appl. No.: **29/502,668**
- (22) Filed: **Sep. 18, 2014**
- (51) **LOC (10) Cl.** **19-02**
- (52) **U.S. Cl.**
USPC **D19/65**
- (58) **Field of Classification Search**
USPC D8/394, 395; D19/65, 86, 99, 100;
24/67 R, 67.3, 67.5, 67.7, 67.9, 67.11,
24/546, 547, DIG. 8, DIG. 9; D32/61;
D11/78.1
See application file for complete search history.

D477,260	S	*	7/2003	Hovren	D12/202
D478,953	S	*	8/2003	Nobriga	D21/780
6,688,996	B1	*	2/2004	Mitani	473/500
D488,049	S	*	4/2004	Fonfeder	D8/335
D492,233	S	*	6/2004	Burden	D12/204
D520,010	S	*	5/2006	Valentine	D14/403
D547,427	S	*	7/2007	Gentile	D23/348
D551,822	S	*	9/2007	Gianfrisco et al.	D34/11
D555,035	S	*	11/2007	O'Neal	D11/157
D581,656	S	*	12/2008	Valencia et al.	
D606,850	S	*	12/2009	Boyd	D8/395
D606,851	S	*	12/2009	Boyd	D8/395
D614,827	S	*	5/2010	Nakan	D1/106
D634,365	S	*	3/2011	Martinez	D19/65
D666,455	S	*	9/2012	Levin	D7/392.1
8,322,667	B2		12/2012	Zannoni	
D683,511	S	*	5/2013	Fascitelli	D32/61
8,523,127	B1		9/2013	Bennett	
D705,865	S	*	5/2014	Roth	D19/97

* cited by examiner

Primary Examiner — Elizabeth Albert

(74) *Attorney, Agent, or Firm* — Robert C. Montgomery;
Montgomery Patent & Design

(56) **References Cited**

U.S. PATENT DOCUMENTS

2,641,811	A	*	6/1953	Morgan	24/565
3,091,378	A		5/1963	O'Dwyer	
D199,128	S	*	9/1964	Madsen	D21/780
3,204,313	A		9/1965	Sée	
3,341,199	A	*	9/1967	Madsen	473/499
4,226,006	A	*	10/1980	Toyama	24/3.12
D259,912	S	*	7/1981	Tontarelli	D32/61
4,582,284	A		4/1986	Veenstra	
4,930,772	A	*	6/1990	Maloney et al.	473/457
D312,660	S	*	12/1990	Bowles, Jr.	D19/72
D340,328	S	*	10/1993	Dragoneas et al.	D32/61
5,401,016	A	*	3/1995	Heglund et al.	473/476
D366,908	S	*	2/1996	Crennen	D21/454
D378,562	S	*	3/1997	Miller et al.	D7/606
D383,979	S	*	9/1997	Tucker	D9/451
D402,778	S	*	12/1998	Housman	D32/61
D404,696	S	*	1/1999	Julian	D12/162
D410,573	S	*	6/1999	McKibbin	D32/61
D415,398	S	*	10/1999	Wysopal	D8/38
6,565,462	B1	*	5/2003	Gregg	473/457

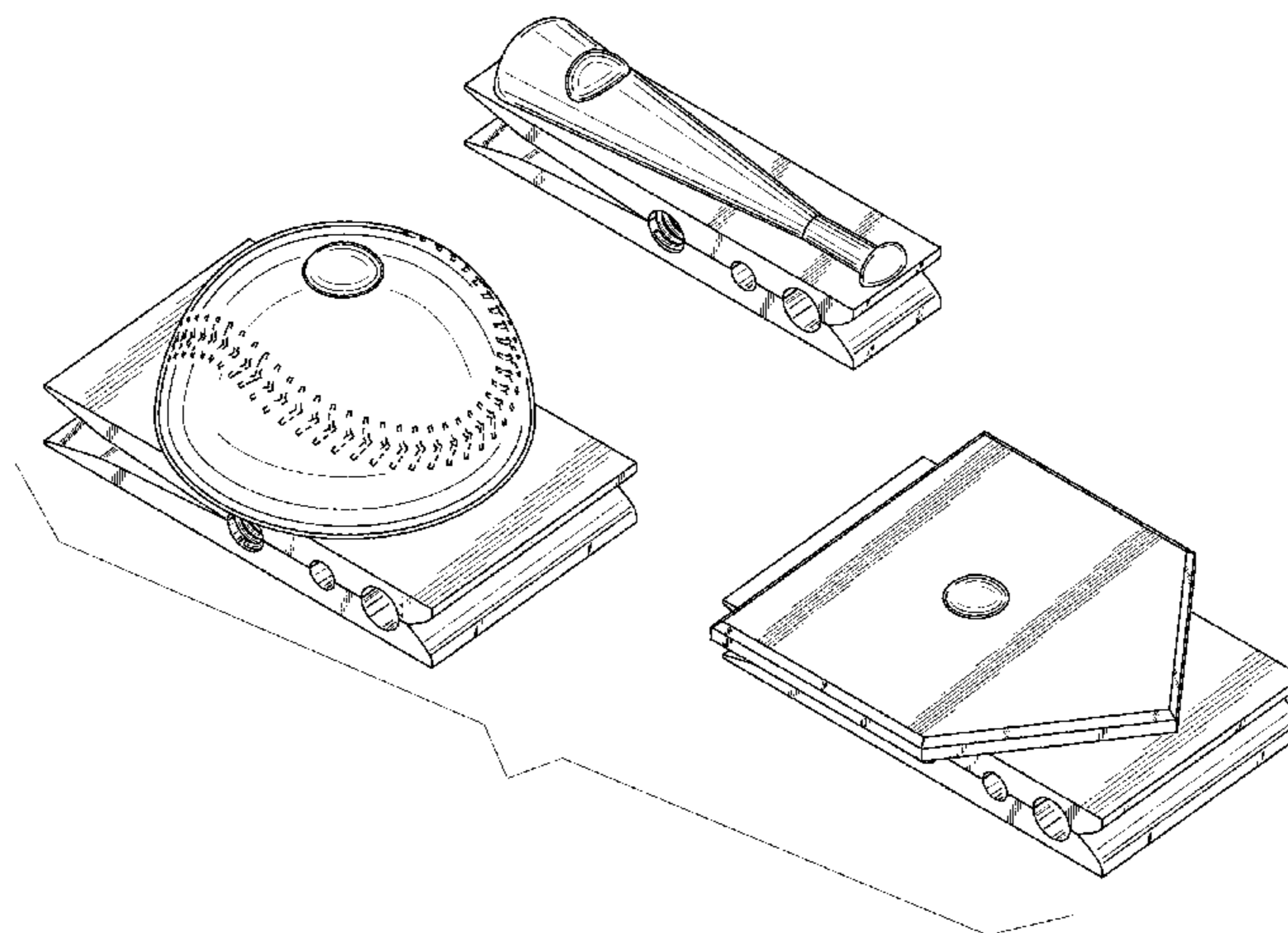
(57) **CLAIM**

The ornamental design for a set of scoring clips, as shown and described.

DESCRIPTION

FIG. 1 is a top perspective view of a set of scoring clips showing my new design;
 FIG. 2 is a front side view of all motifs;
 FIG. 3 is a rear side view thereof;
 FIG. 4 is a left side view thereof;
 FIG. 5 is a right side view thereof;
 FIG. 6 is a top side view thereof; and,
 FIG. 7 is a bottom side view thereof.
 The broken lines showing the lacing on the baseball in FIGS. 1-6 are included for the purpose of showing a feature that forms no part of the claimed design.

1 Claim, 7 Drawing Sheets



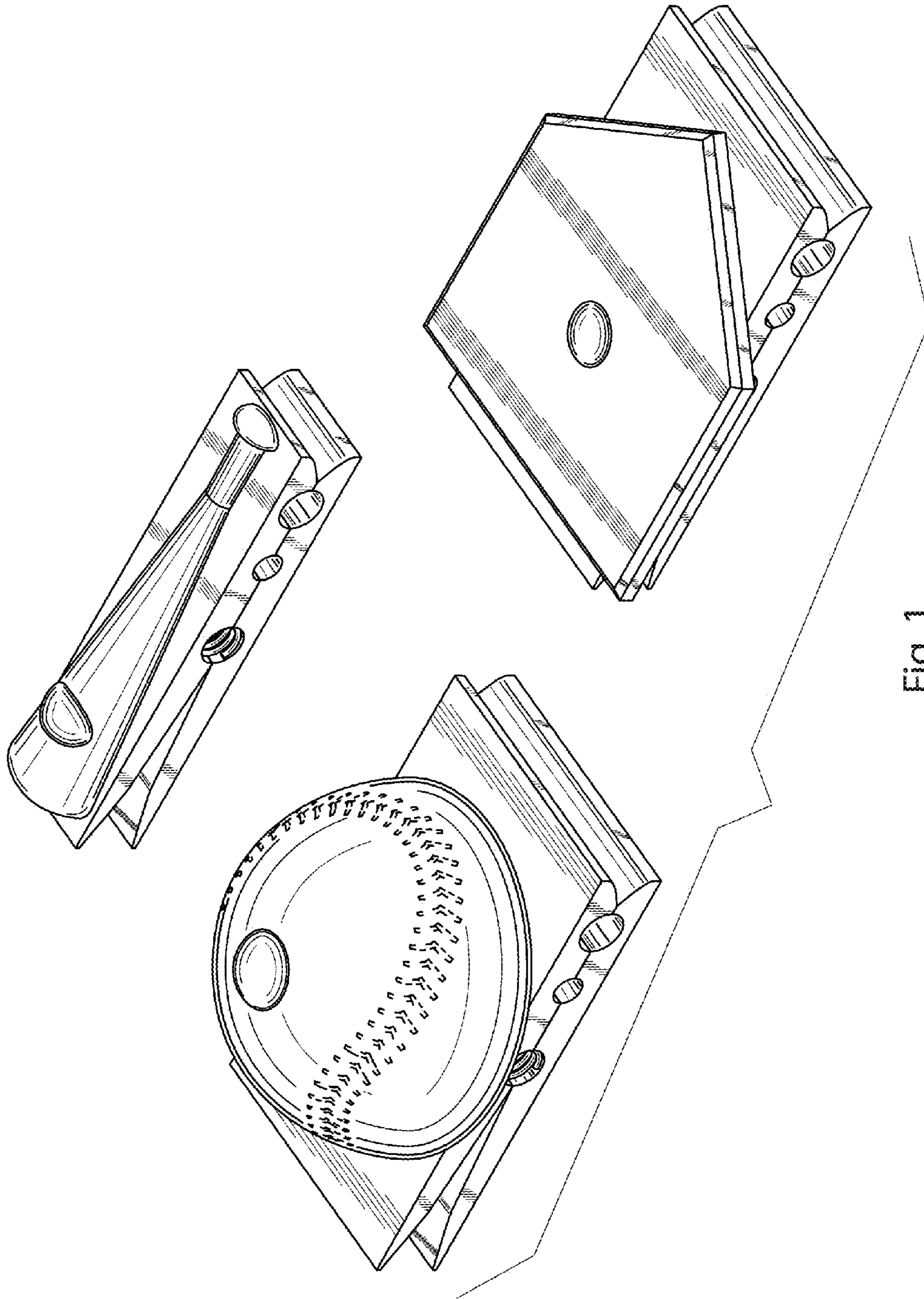


Fig. 1

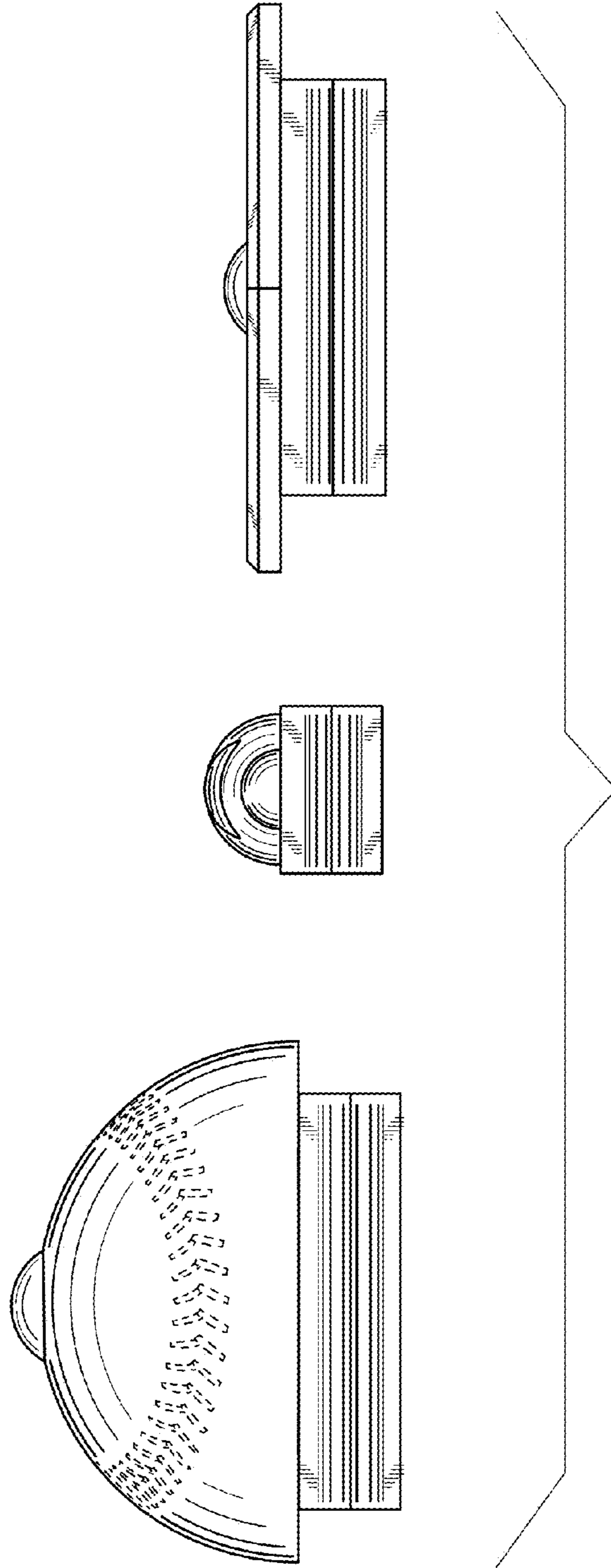


Fig. 2

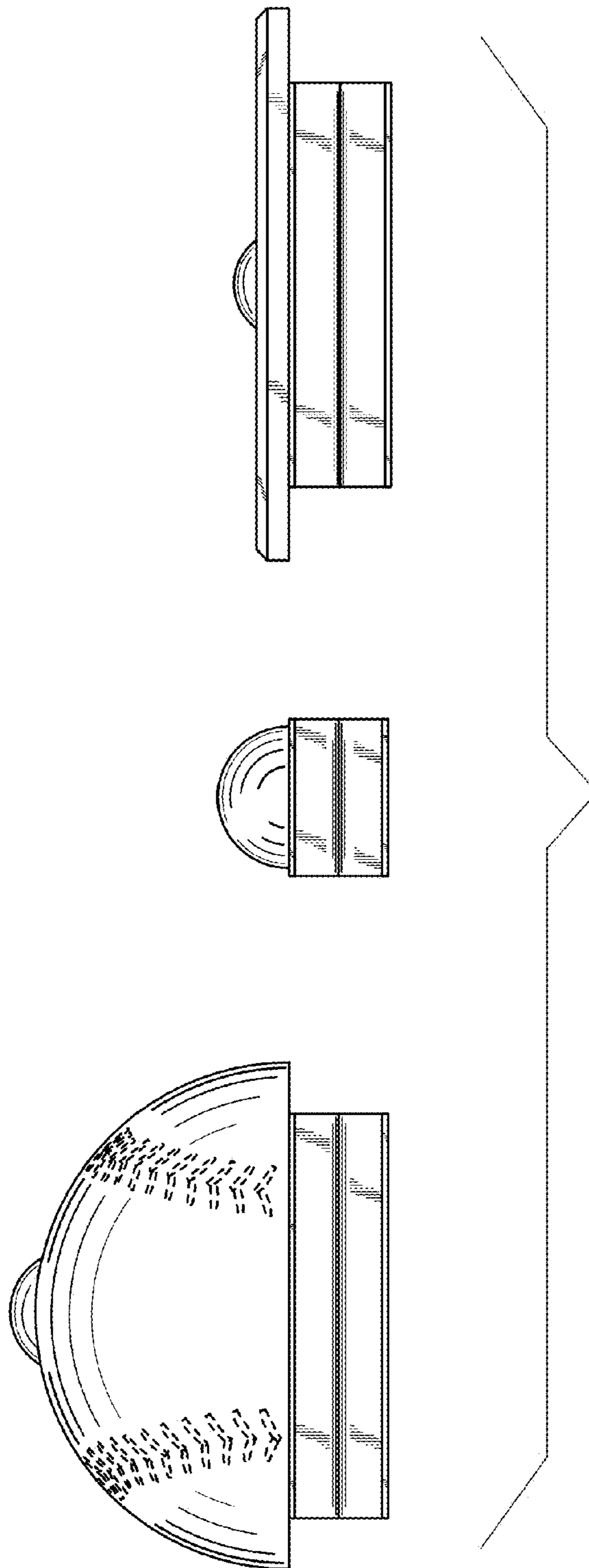


Fig. 3

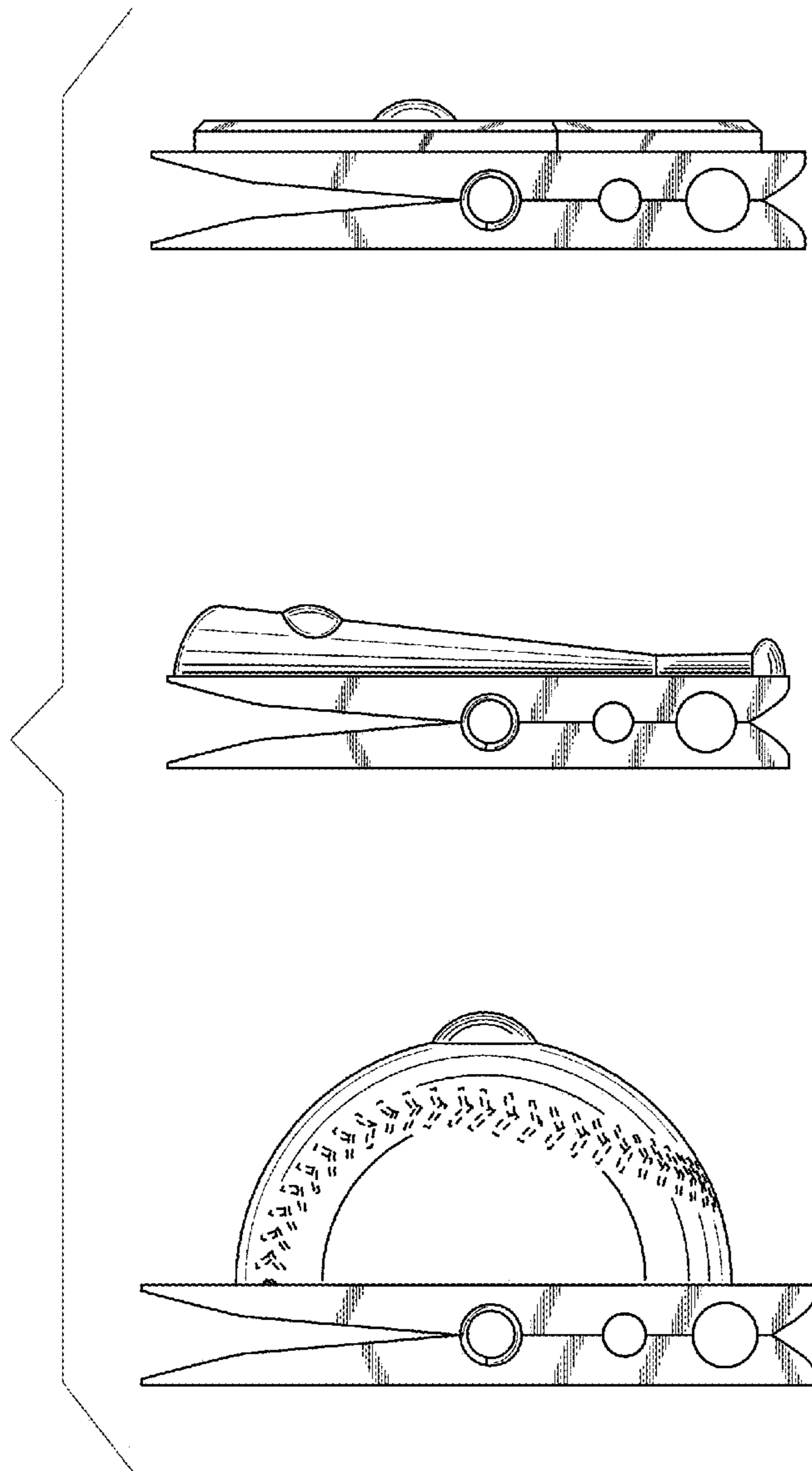


Fig. 4

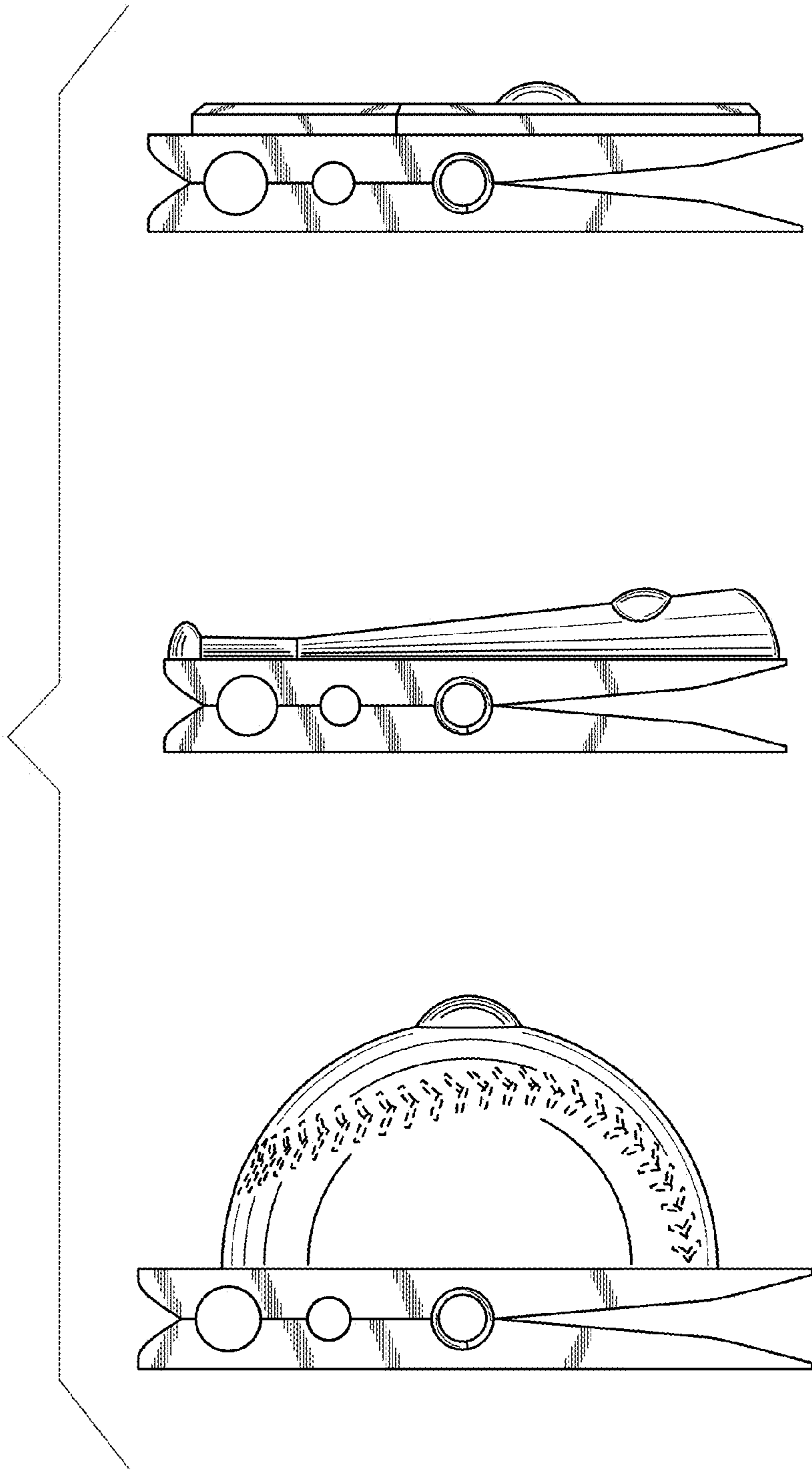


Fig. 5

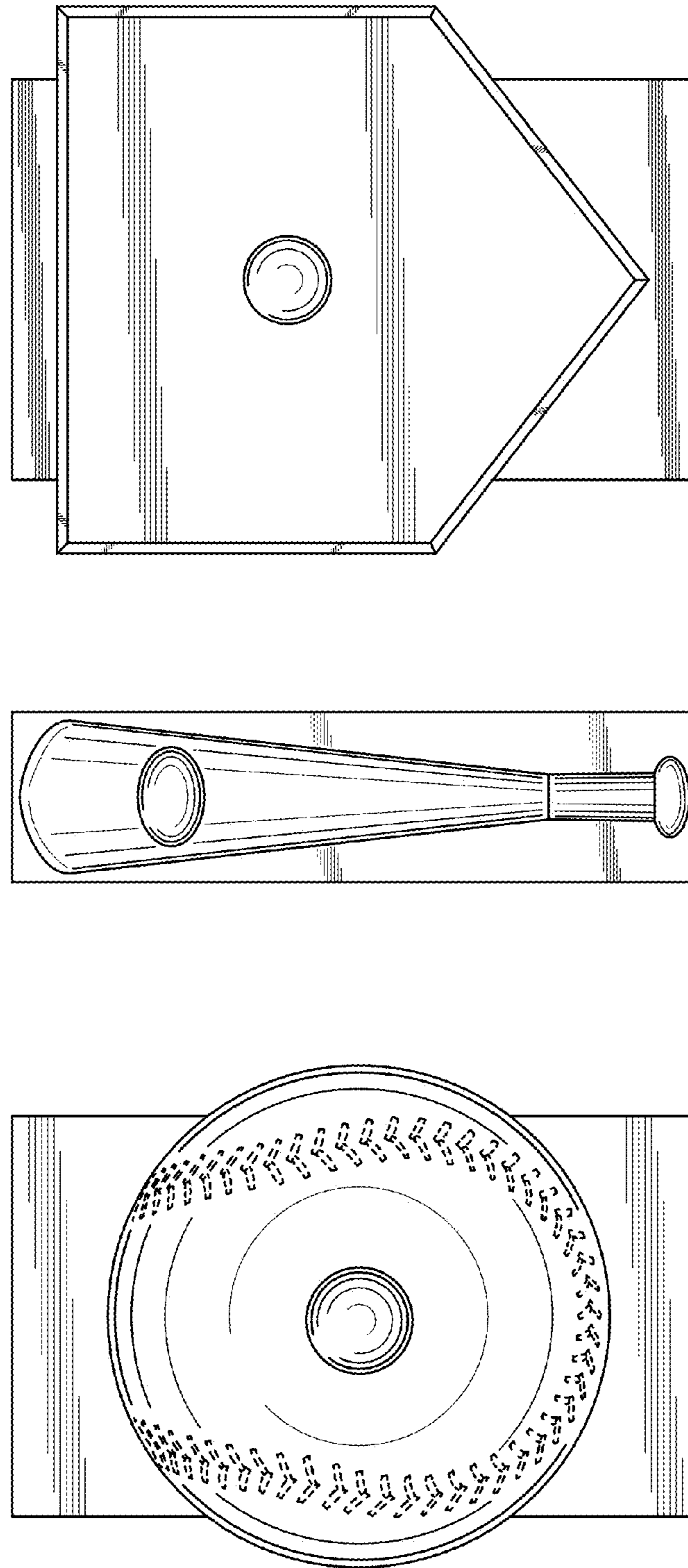


Fig. 6

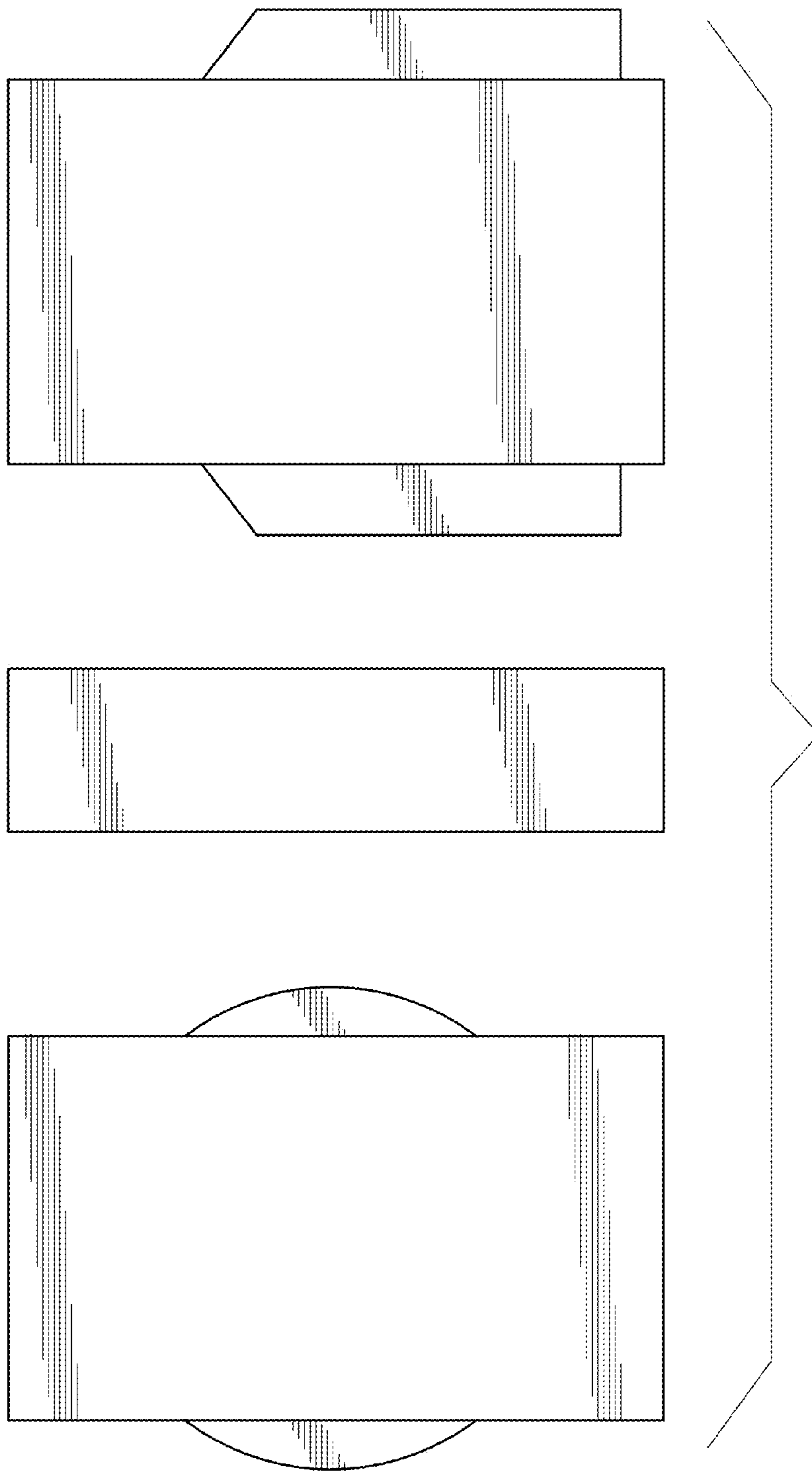


Fig. 7