



US00D725702S

(12) **United States Design Patent**  
**Kuo et al.**

(10) **Patent No.:** **US D725,702 S**  
(45) **Date of Patent:** **\*\* Mar. 31, 2015**

(54) **NOTE PAPER PAD**

(71) Applicant: **Taiwan Hopax Chemicals Mfg. Co., Ltd.**, Kaohsiung (TW)

(72) Inventors: **Tsung-Tien Kuo**, Kaohsiung (TW);  
**Jen-Rong Liu**, Kaohsiung (TW);  
**Chin-Chung Tsai**, New Taipei (TW);  
**Tsun-Rung Hsu**, Kaohsiung (TW)

(73) Assignee: **Taiwan Hopax Chemicals Mfg. Co., Ltd.**, Kaohsiung (TW)

(\*\*) Term: **14 Years**

(21) Appl. No.: **29/489,798**

(22) Filed: **May 2, 2014**

(51) **LOC (10) Cl.** ..... **19-04**

(52) **U.S. Cl.**  
USPC ..... **D19/26**

(58) **Field of Classification Search**

USPC ..... D19/26, 27, 32, 33, 90, 91, 92, 100;  
281/15.1, 45, 16, 38, 48, 51, 9, 30;  
40/674, 675, 121; 462/55, 57, 58, 59,  
462/60, 61, 62, 63; 428/40.1, 40.2, 42.1  
See application file for complete search history.

(56) **References Cited**

**U.S. PATENT DOCUMENTS**

745,713 A \* 12/1903 Boughton ..... 462/55  
2,195,677 A \* 4/1940 Moody et al. .... 281/44  
RE22,007 E \* 1/1942 Stevens ..... 462/57  
4,787,852 A \* 11/1988 Melnick ..... 434/328  
5,756,187 A \* 5/1998 Kuo et al. .... 428/195.1  
5,863,629 A \* 1/1999 Kuo et al. .... 428/40.1  
5,948,494 A \* 9/1999 Levin ..... 428/43

6,254,955 B1 \* 7/2001 Kuo et al. .... 428/42.2  
6,403,189 B1 \* 6/2002 Donahue ..... 428/40.1  
7,094,454 B2 \* 8/2006 Kuo et al. .... 428/40.1  
7,360,960 B2 \* 4/2008 Hite ..... 401/131  
2003/0178837 A1 \* 9/2003 Ung et al. .... 281/9  
2005/0253372 A1 \* 11/2005 Lapsker ..... 281/38  
2009/0123685 A1 \* 5/2009 Liu et al. .... 428/42.1  
2011/0156381 A1 \* 6/2011 Kuo et al. .... 281/30  
2012/0100988 A1 \* 4/2012 Kuo et al. .... 503/215  
2012/0315421 A1 \* 12/2012 Kuo et al. .... 428/40.2

\* cited by examiner

*Primary Examiner* — Sheryl Lane

*Assistant Examiner* — Ieisha Price

(74) *Attorney, Agent, or Firm* — Pillsbury Winthrop Shaw Pittman, LLP

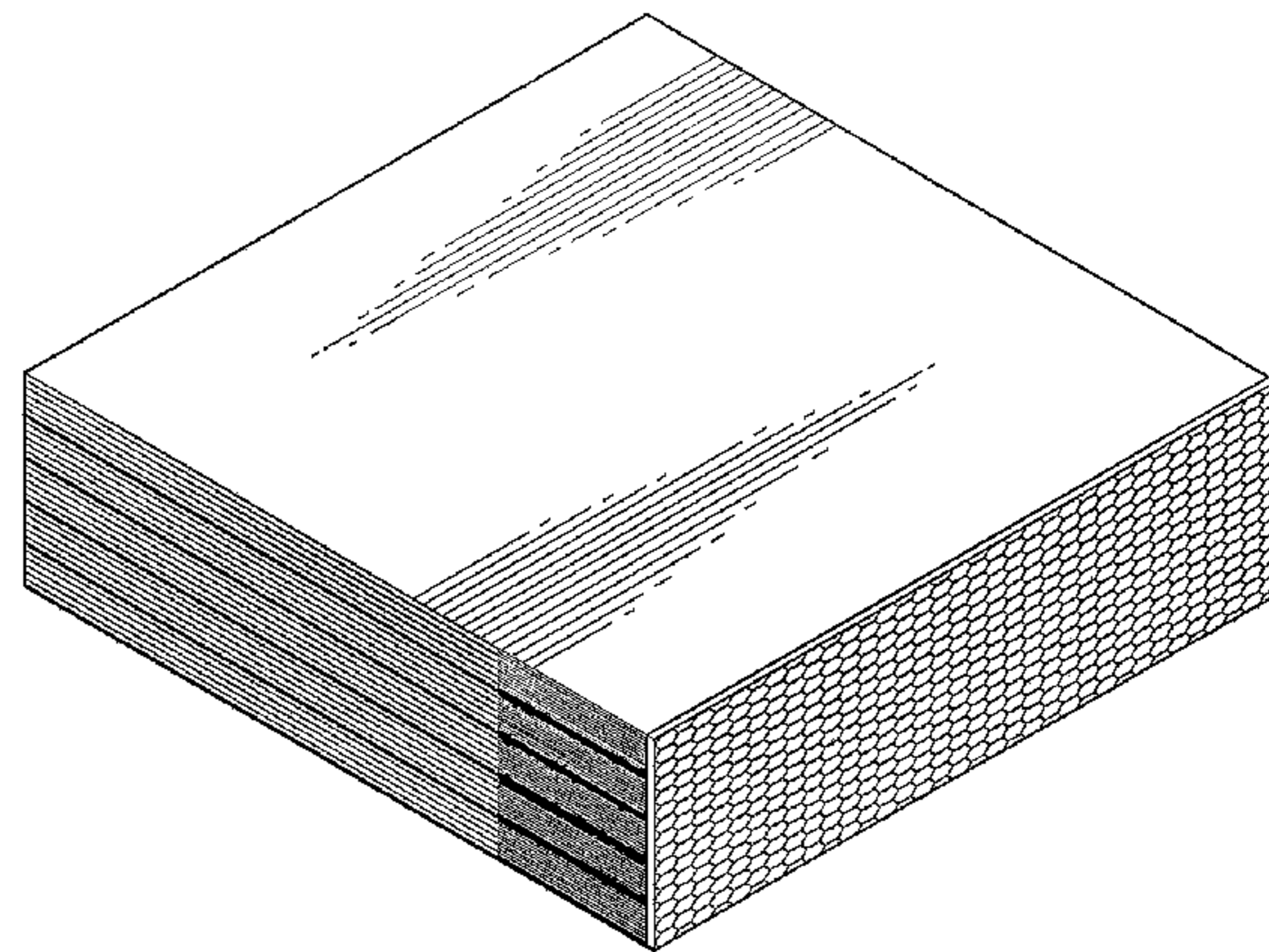
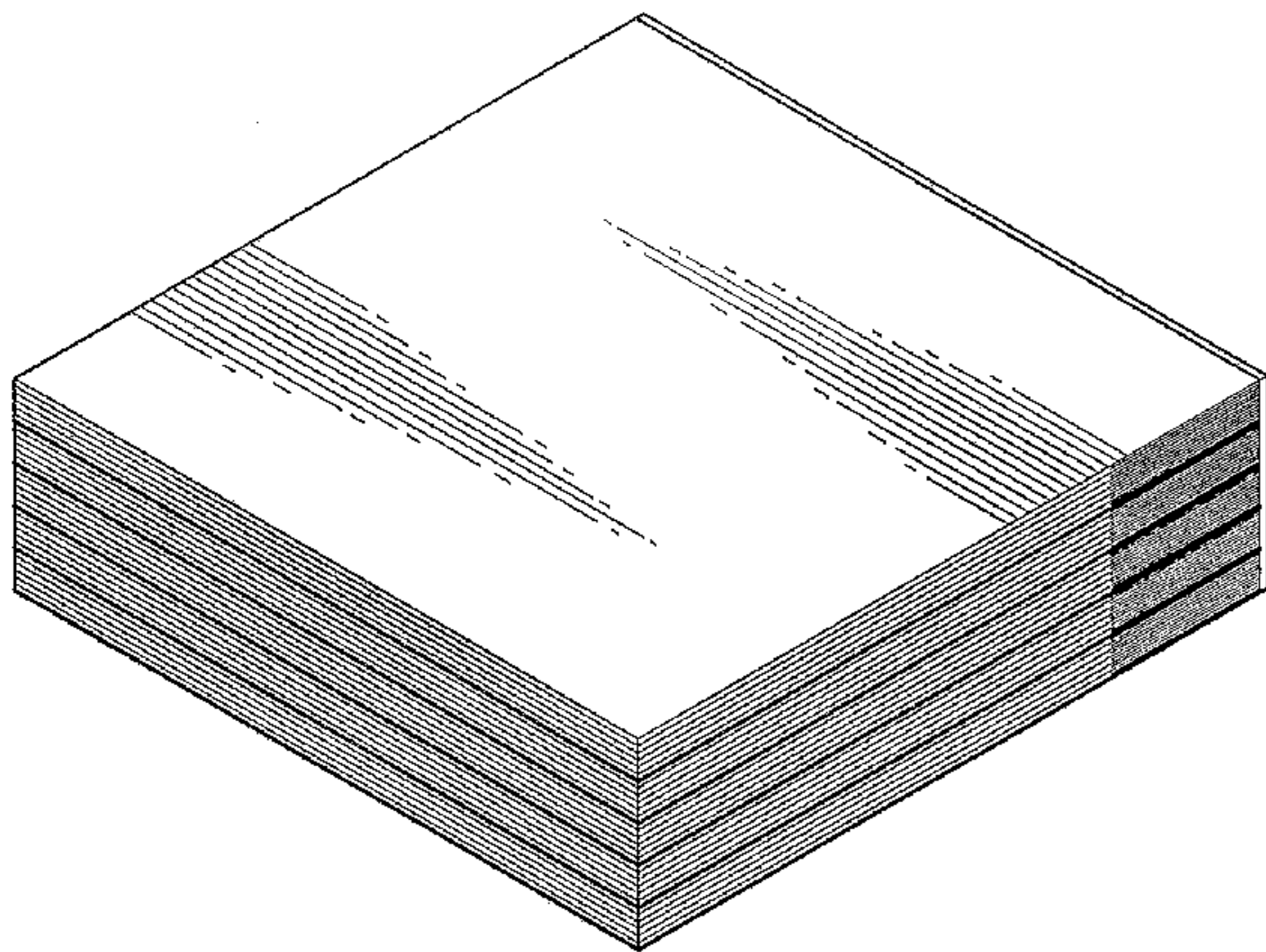
(57) **CLAIM**

The ornamental design for note paper pad, as shown and described.

**DESCRIPTION**

FIG. 1 is a perspective view of note paper showing our new design;  
FIG. 2 is a front elevational view thereof;  
FIG. 3 is a rear elevational view thereof;  
FIG. 4 is a left side elevational view thereof;  
FIG. 5 is a right side elevational view thereof;  
FIG. 6 is a top plan view thereof;  
FIG. 7 is a bottom plan view thereof;  
FIG. 8 is another perspective view thereof;  
FIG. 9 is a perspective view showing the note paper pad sections spread apart; and,  
FIG. 10 is a right side elevational view with the second section of the note paper pad removed.

**1 Claim, 7 Drawing Sheets**



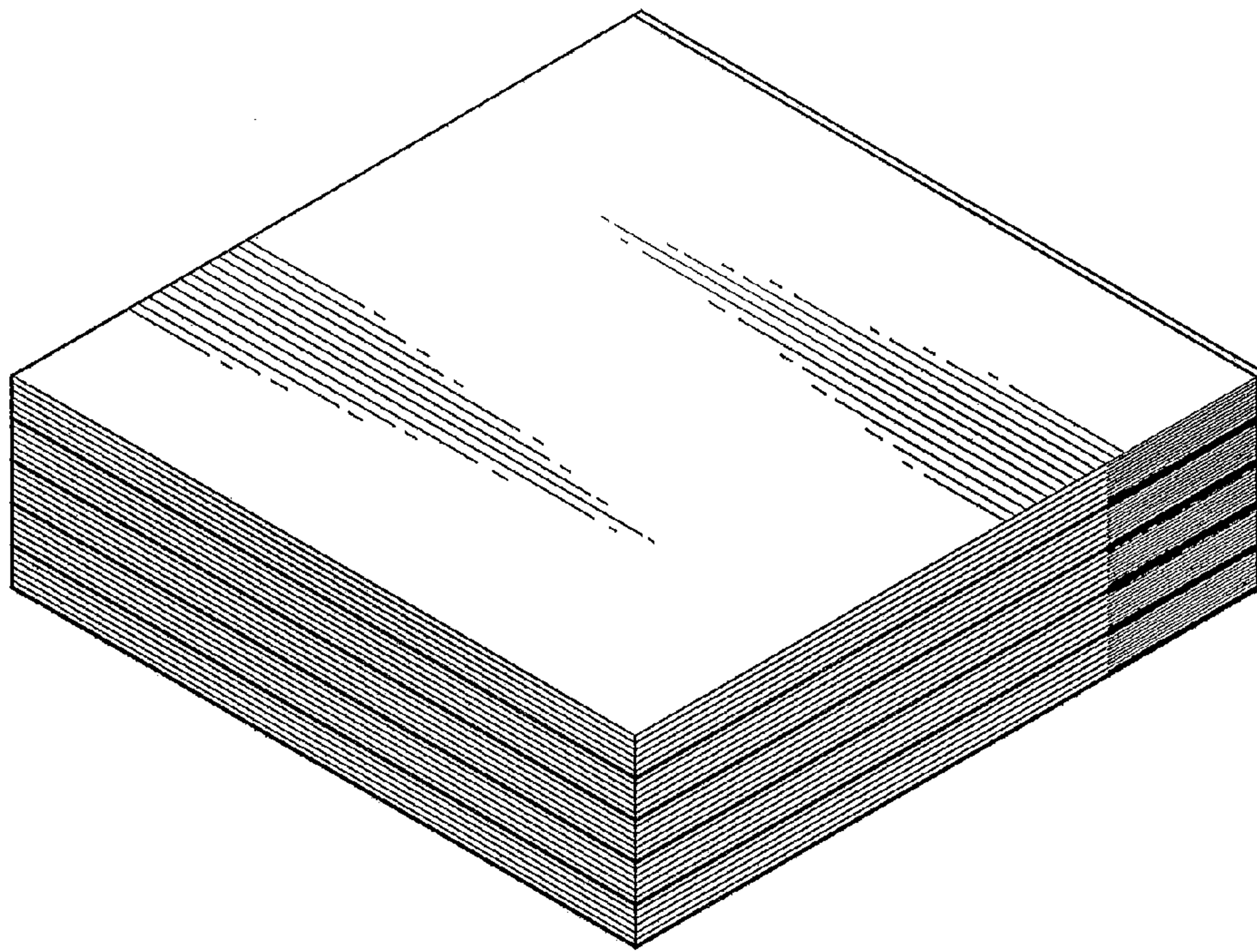


FIG. 1

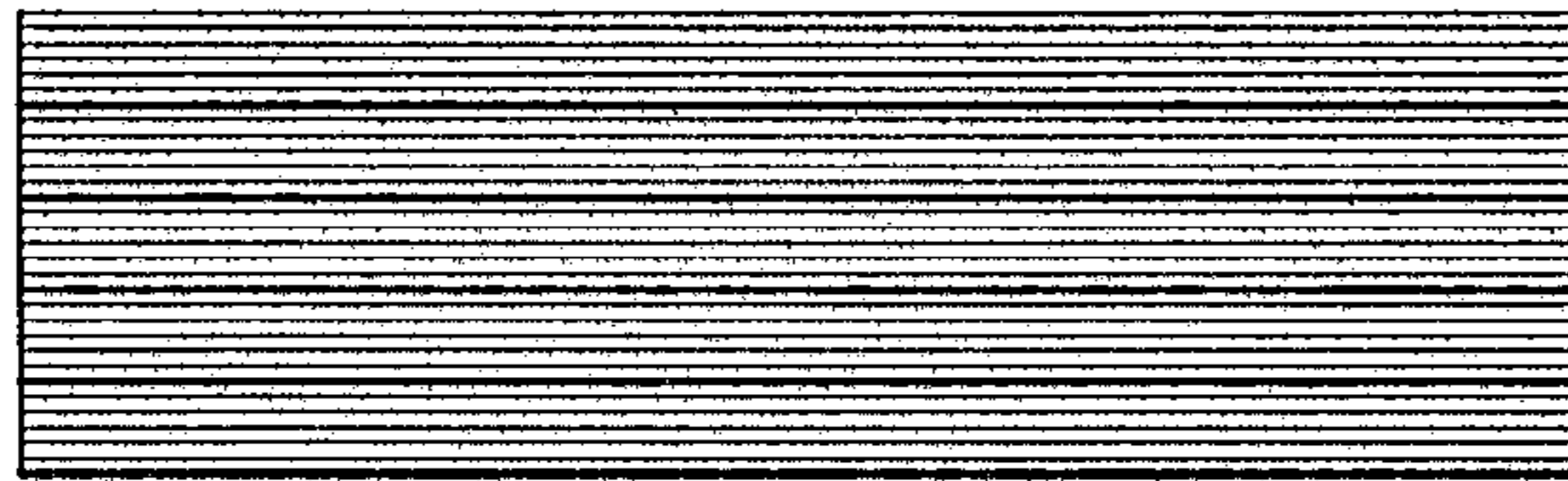


FIG. 2

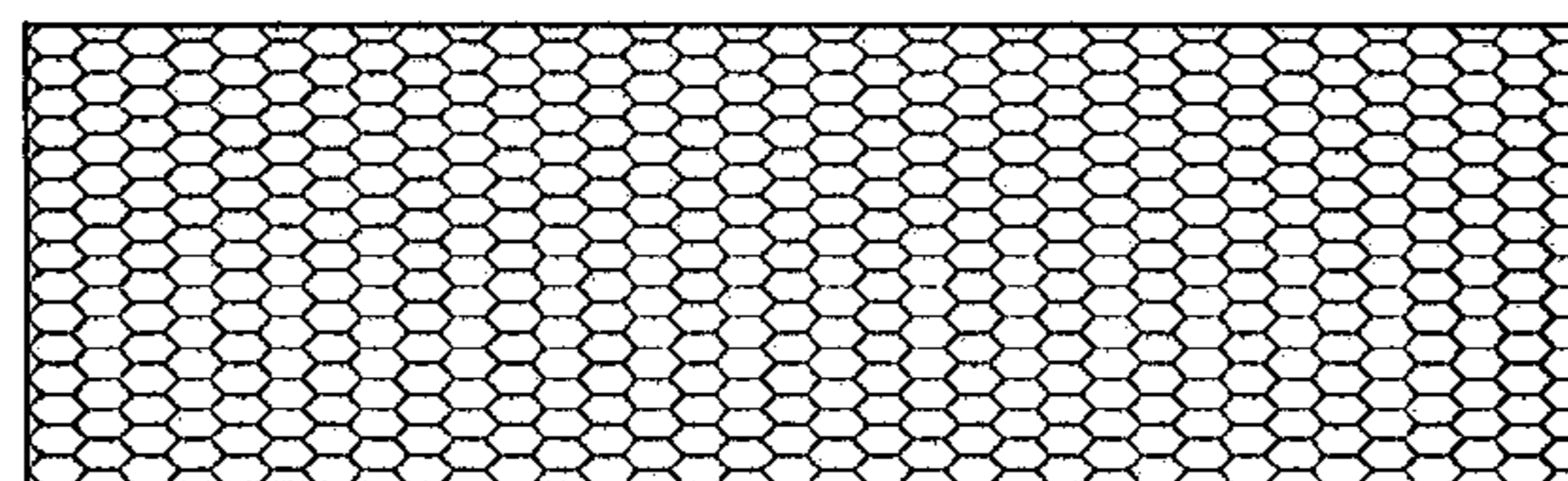


FIG. 3

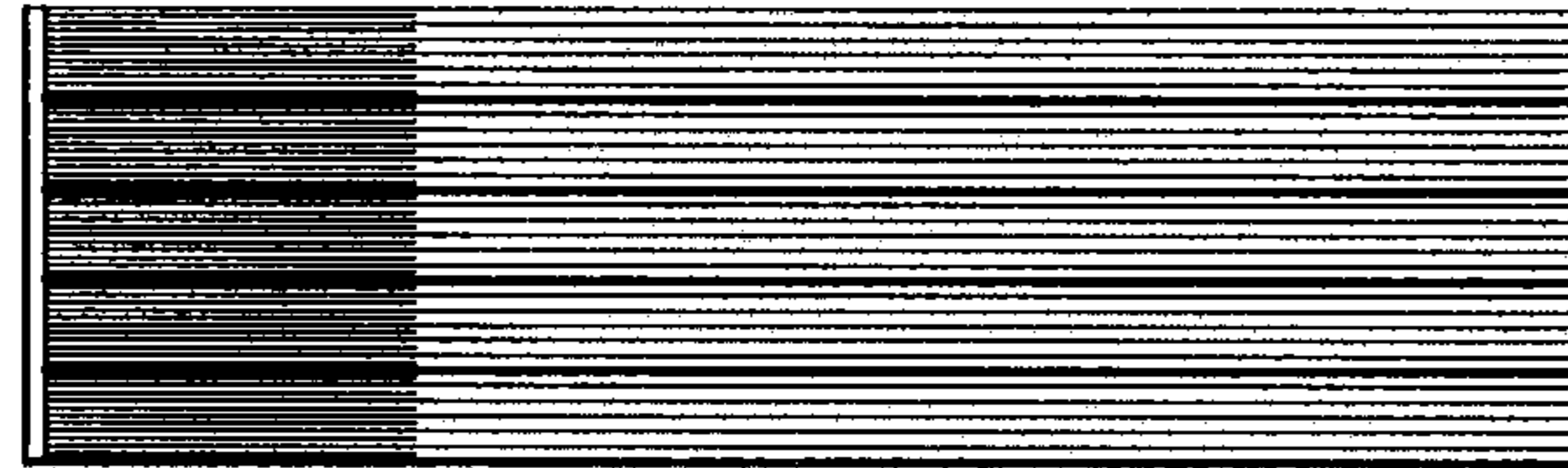


FIG. 4

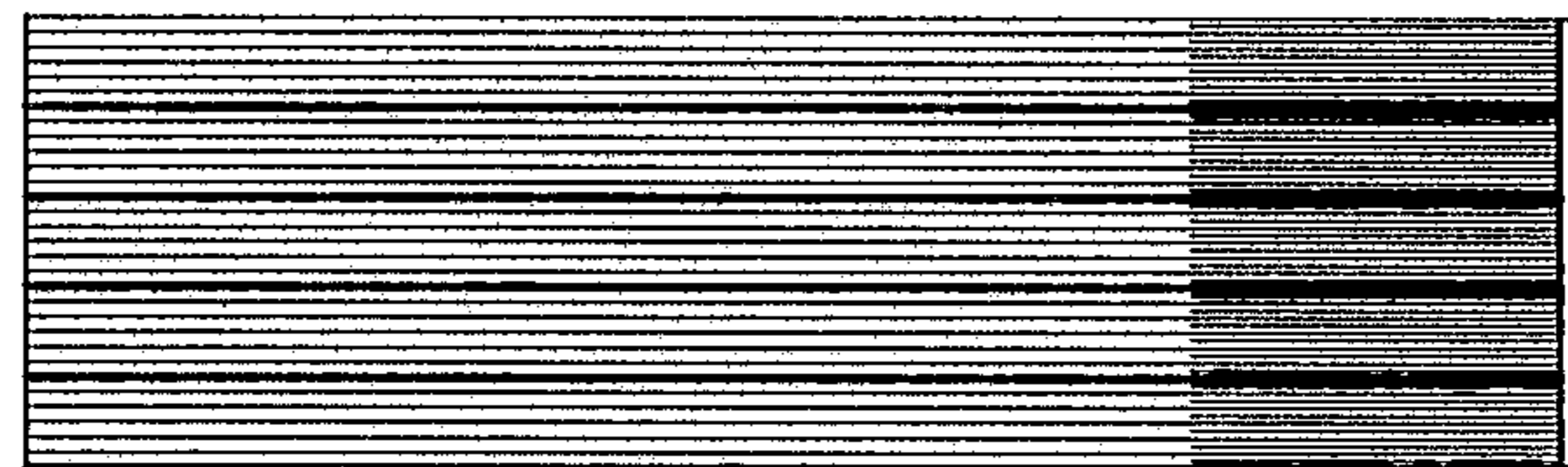


FIG. 5

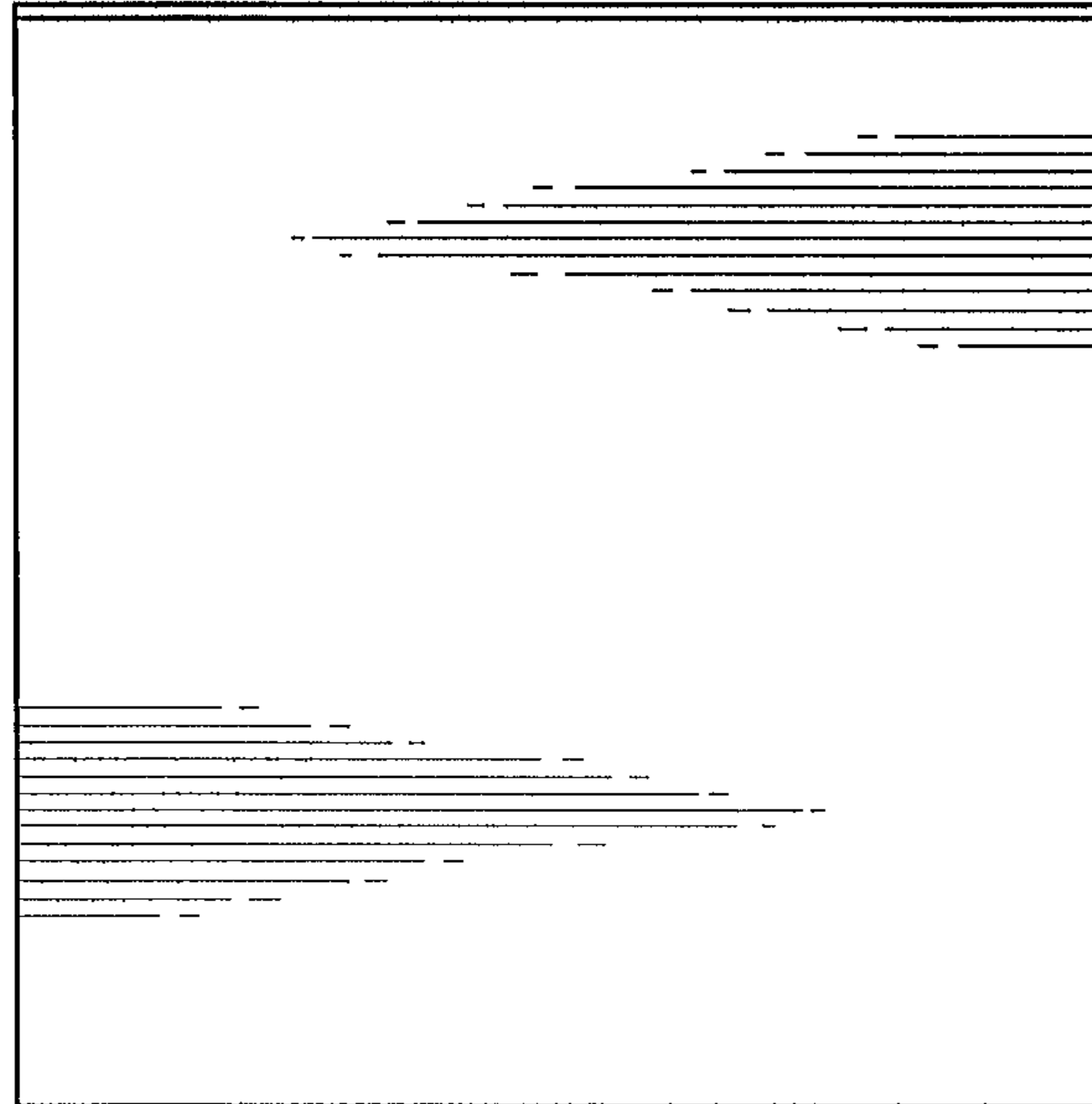


FIG. 6

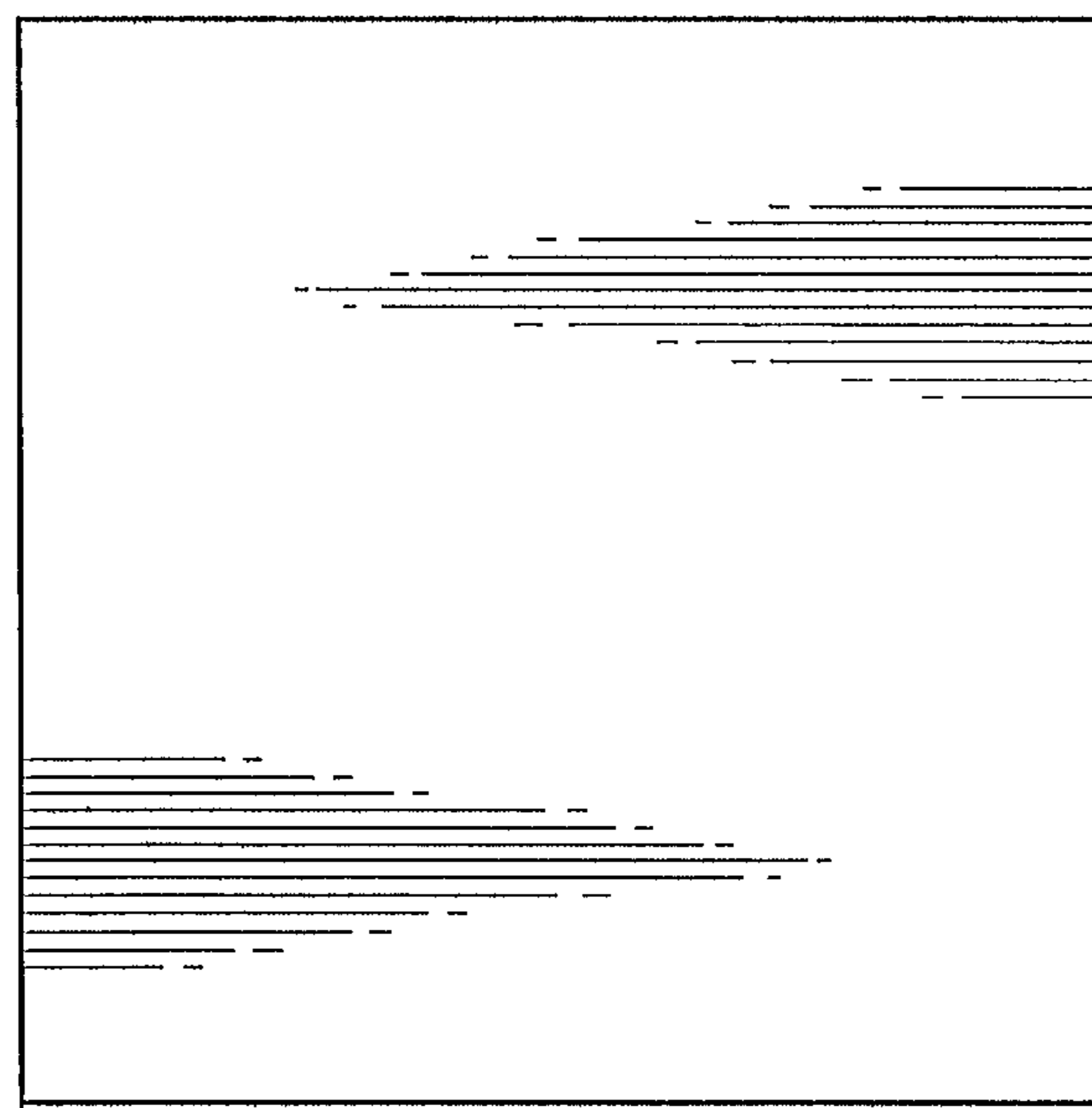


FIG. 7

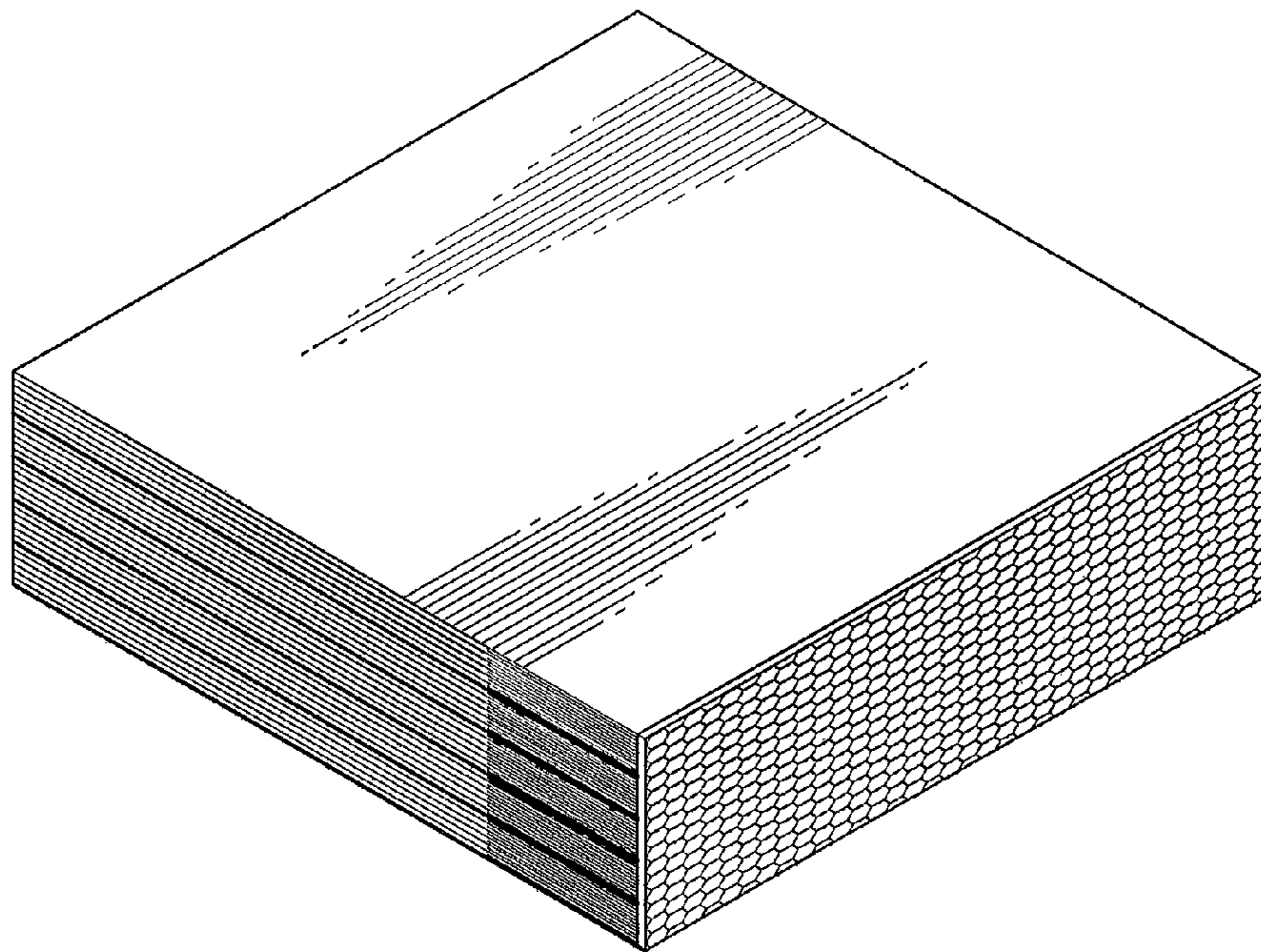


FIG.8

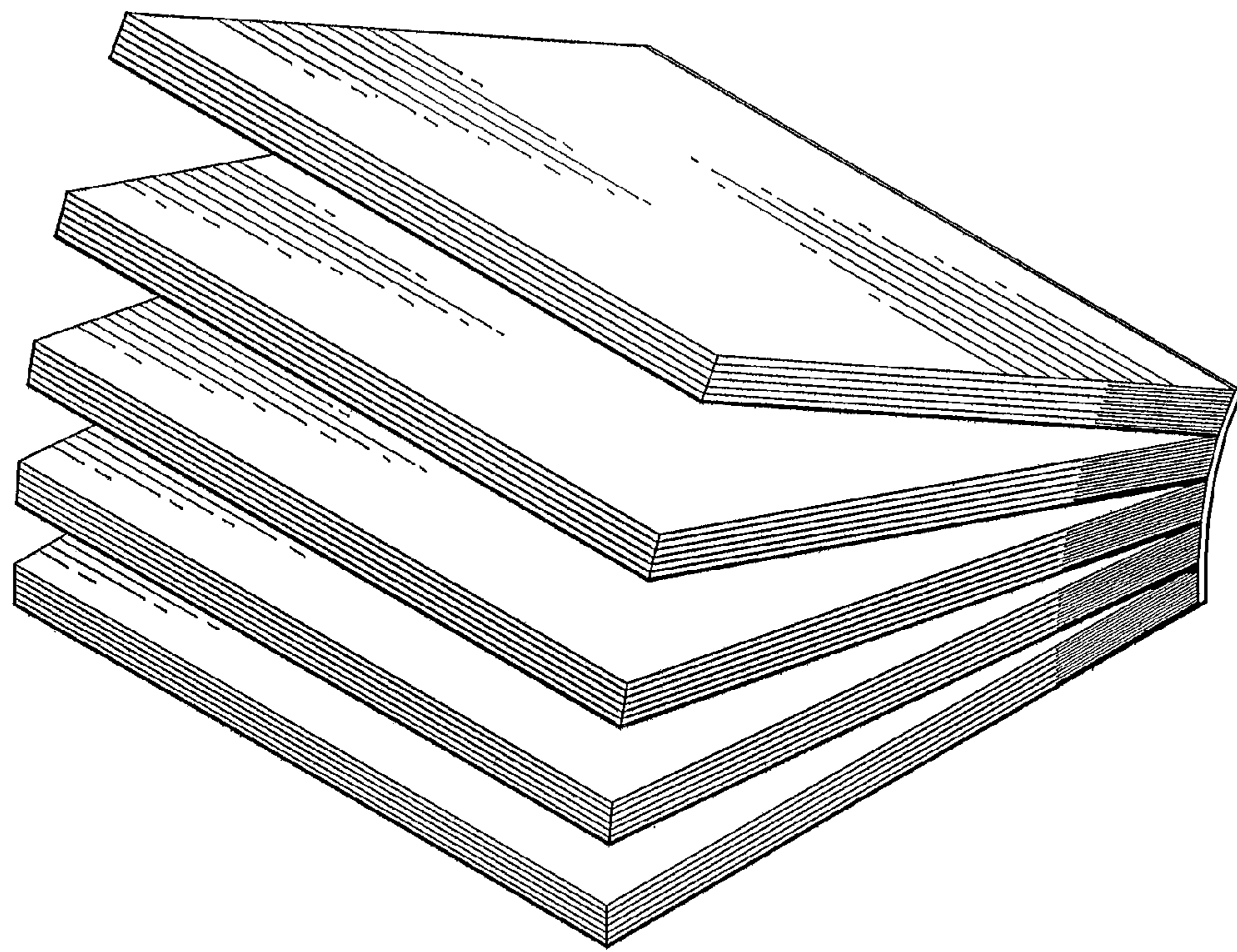


FIG.9

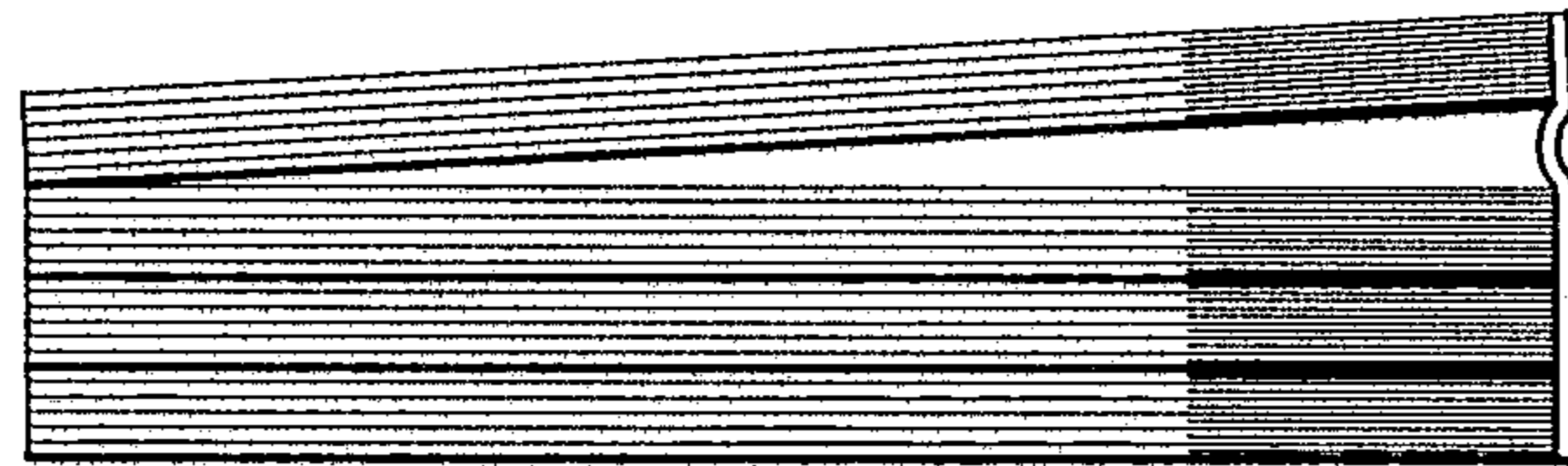


FIG. 10