



US00D725700S

(12) **United States Design Patent**  
**Bridges**

(10) **Patent No.:** **US D725,700 S**  
(45) **Date of Patent:** **\*\* Mar. 31, 2015**

(54) **BUNDLED GREETING CARD AND ENVELOPE**

D500,078 S \* 12/2004 Fraser et al. .... D19/1  
D533,219 S \* 12/2006 Hodsdon ..... D19/2  
D638,469 S \* 5/2011 Bertinetti et al. .... D19/2  
D658,230 S \* 4/2012 Segal et al. .... D19/2

(71) Applicant: **Hallmark Cards, Incorporated**, Kansas City, MO (US)

\* cited by examiner

(72) Inventor: **Melanie Bridges**, Mission, KS (US)

*Primary Examiner* — Caron D Veynar

(73) Assignee: **Hallmark Cards, Incorporated**, Kansas City, MO (US)

*Assistant Examiner* — Abraham Bahta

(74) *Attorney, Agent, or Firm* — Shook, Hardy & Bacon L.L.P.

(\*\*) Term: **14 Years**

(57) **CLAIM**

(21) Appl. No.: **29/486,537**

The ornamental design for a bundled greeting card and envelope, as shown and described.

(22) Filed: **Mar. 31, 2014**

**DESCRIPTION**

(51) **LOC (10) Cl.** ..... **19-01**

(52) **U.S. Cl.**  
USPC ..... **D19/2**

(58) **Field of Classification Search**  
CPC ..... B65D 33/00; B65D 85/505; B29C 66/71  
USPC ..... D19/1-12, 20-34; 40/124.01-124.15,  
40/672, 661, 726, 776, 617, 633; 229/72,  
229/92, 92.1, 299.01; 206/449; D21/385;  
D20/10, 22, 40, 27, 42, 11;  
D14/435-437; D24/231; 705/2-3;  
283/72, 74, 75, 103, 105, 106

FIG. 1 is a front right perspective view of the bundled greeting card and envelope of the present invention;  
FIG. 2 is a front plan view thereof;  
FIG. 3 is a rear plan view thereof;  
FIG. 4 is a left side elevation view thereof;  
FIG. 5 is a right side elevation view thereof;  
FIG. 6 is a bottom side elevation view thereof; and,  
FIG. 7 is a top side elevation view thereof.

The evenly spaced broken lines shown in the drawings are directed to environment, are for informational purposes only, and form no part of the claimed design.

The surface shading lines on the claimed portion are provided only to indicate the character and/or any contour or curvature of the surfaces. They do not indicate color, texture, markings that actually exist thereon, indicia, graphic representations, surface treatment, or any other ornamentation applied to the article.

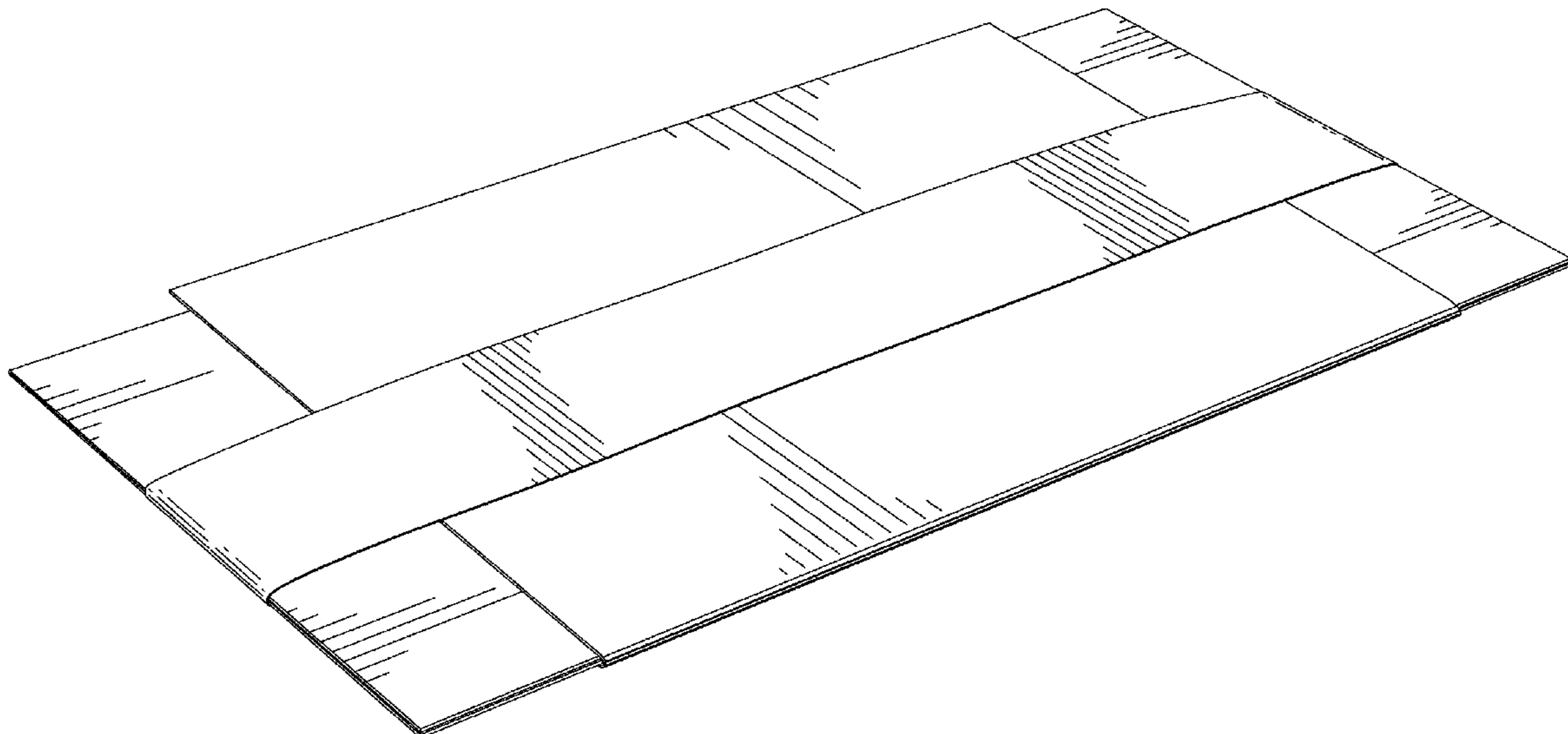
See application file for complete search history.

(56) **References Cited**

U.S. PATENT DOCUMENTS

D418,538 S \* 1/2000 Fabel ..... D19/1  
D430,604 S \* 9/2000 Fabel ..... D19/2  
D483,405 S \* 12/2003 Bratter et al. .... D19/2  
D495,736 S \* 9/2004 Scharf ..... D19/2

**1 Claim, 3 Drawing Sheets**



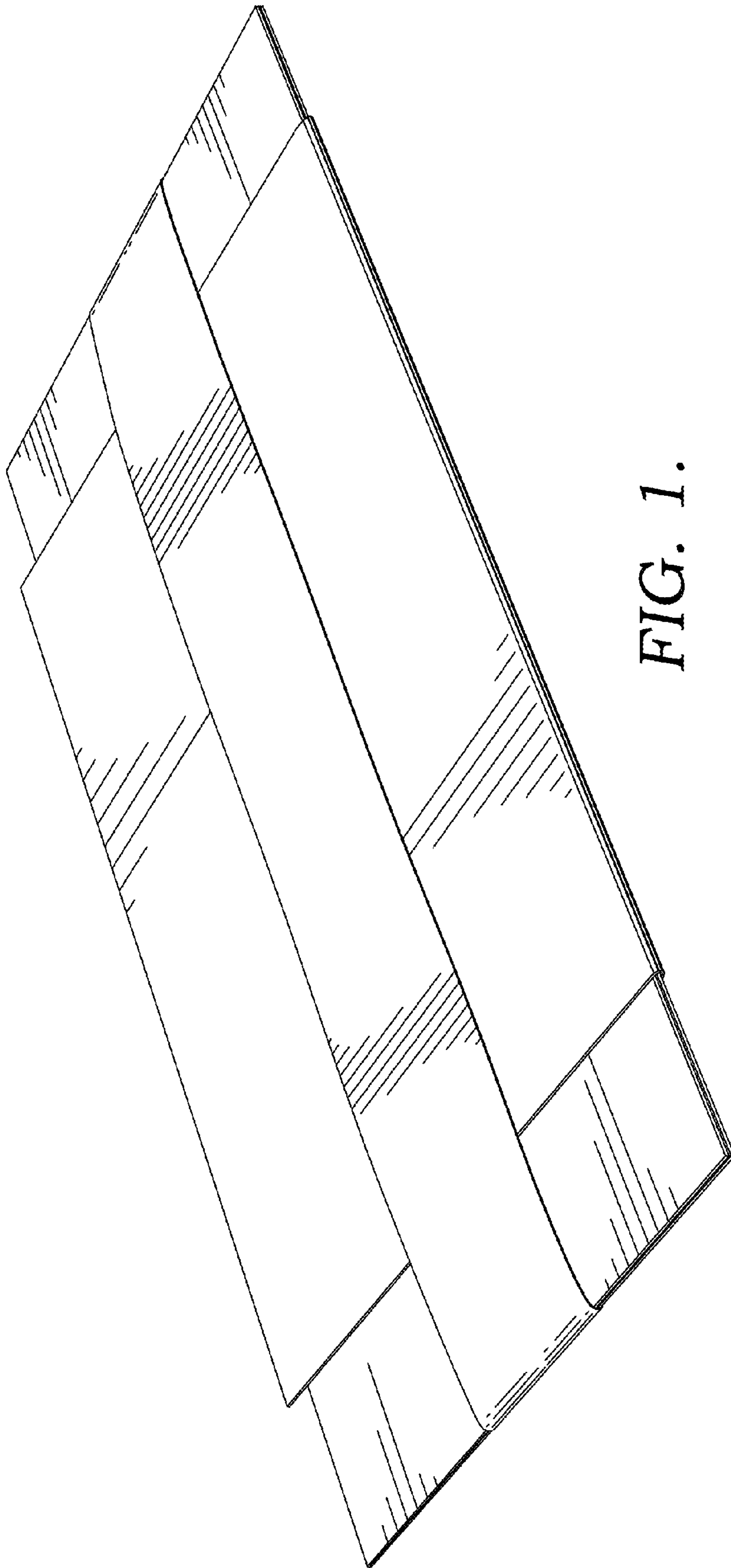


FIG. 1.

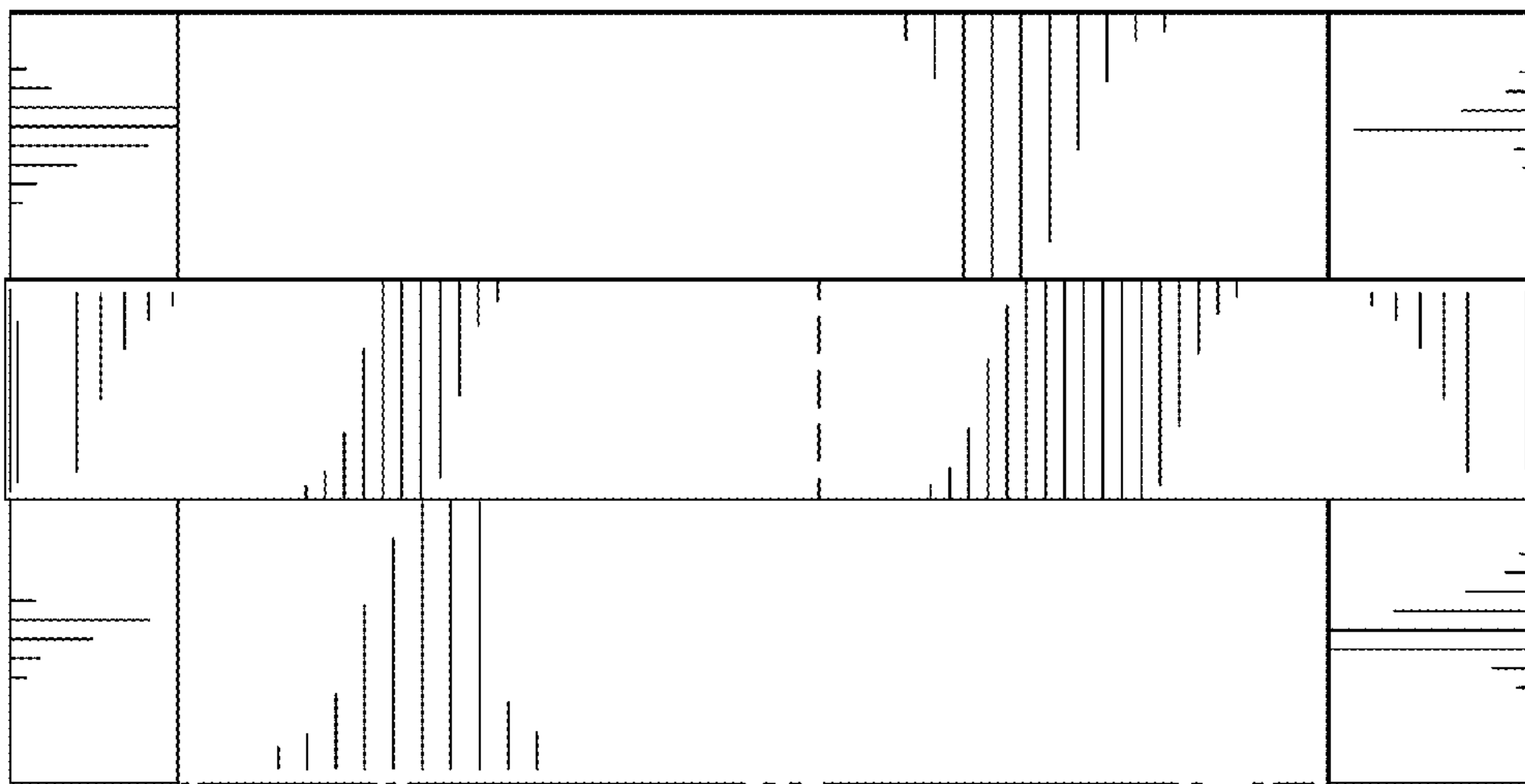


FIG. 3.

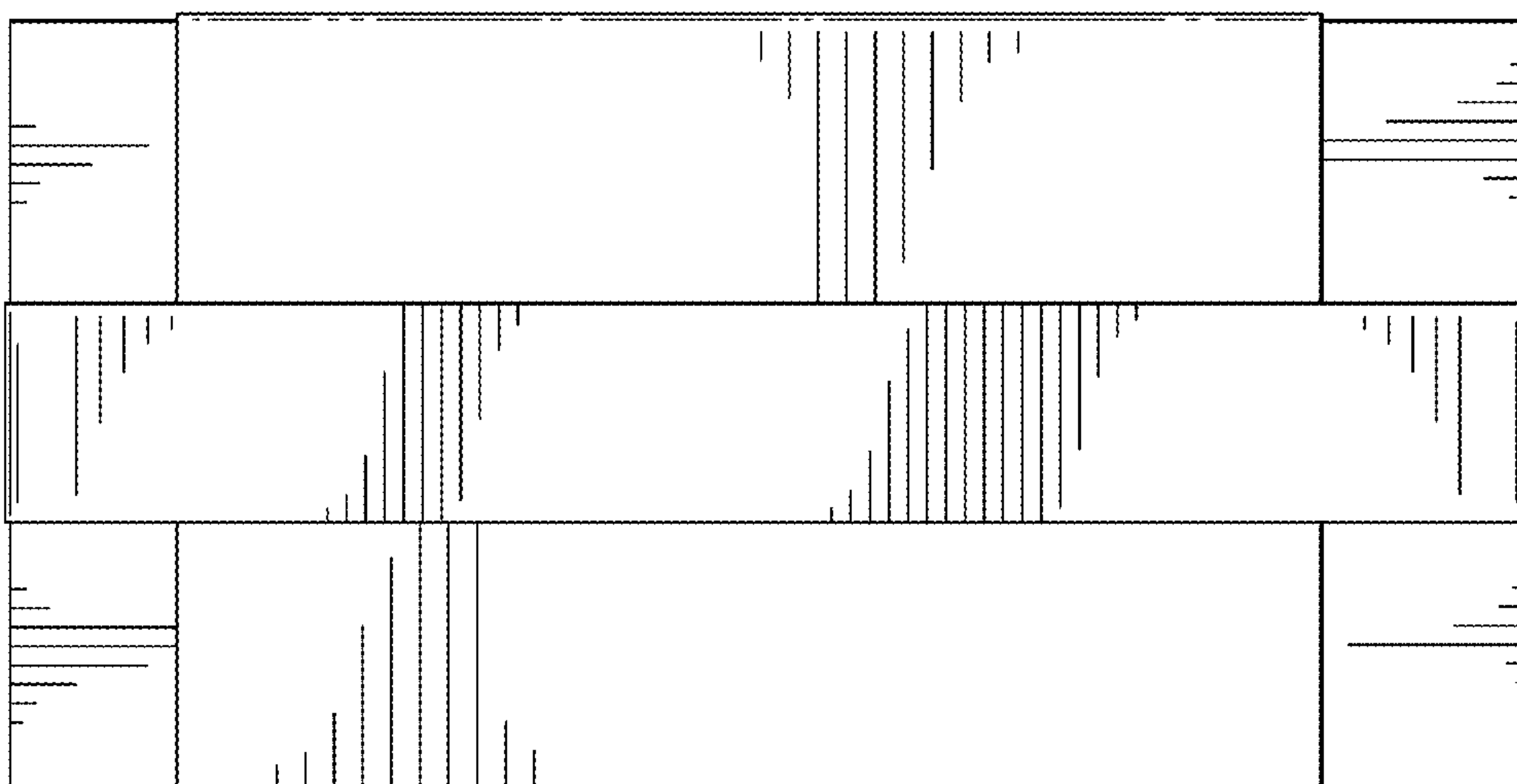


FIG. 2.



FIG. 5.



FIG. 4.



FIG. 6.



FIG. 7.