



US00D725699S

(12) **United States Design Patent**
Eun

(10) **Patent No.:** **US D725,699 S**
(45) **Date of Patent:** **** Mar. 31, 2015**

(54) **REGISTER FOR POINT OF SALE**

(71) Applicant: **Posbank**, Seoul (KR)

(72) Inventor: **Dong Uk Eun**, Seoul (KR)

(73) Assignee: **Posbank**, Seoul (KR)

(**) Term: **14 Years**

(21) Appl. No.: **29/491,773**

(22) Filed: **May 23, 2014**

(30) **Foreign Application Priority Data**

Jan. 14, 2014 (KR) 30-2014-0002060

(51) **LOC (10) Cl.** **18-01**

(52) **U.S. Cl.**
USPC **D18/4.4**

(58) **Field of Classification Search**
USPC D18/4.1, 4.3, 4.4, 4.5, 4.6, 11, 12, 12.3,
D18/59, 99; D14/336, 371, 374, 375, 376,
D14/377, 388, 389; 235/1 D, 2, 7 R; 705/15,
705/16, 17
See application file for complete search history.

(56) **References Cited**

U.S. PATENT DOCUMENTS

D416,876 S * 11/1999 Yin D14/375
D508,519 S * 8/2005 Kuramochi et al. D18/4.1
D526,003 S * 8/2006 Shih D18/4.6

D542,834 S * 5/2007 Ando et al. D18/4.6
D587,296 S * 2/2009 Kuramochi D18/4.5
D588,186 S * 3/2009 Yamakawa D18/4.5
D597,138 S * 7/2009 Herndon et al. D20/2
D620,519 S * 7/2010 Branck et al. D18/4.4
D625,355 S * 10/2010 Branck et al. D18/12.3
D649,153 S * 11/2011 Symons D14/447
D687,484 S * 8/2013 Eun D18/4.6
D689,126 S * 9/2013 Eun D18/4.6
D713,447 S * 9/2014 Balar et al. D18/4.6

* cited by examiner

Primary Examiner — Eric Goodman

Assistant Examiner — Amy Wierenga

(74) *Attorney, Agent, or Firm* — WRB-IP LLP

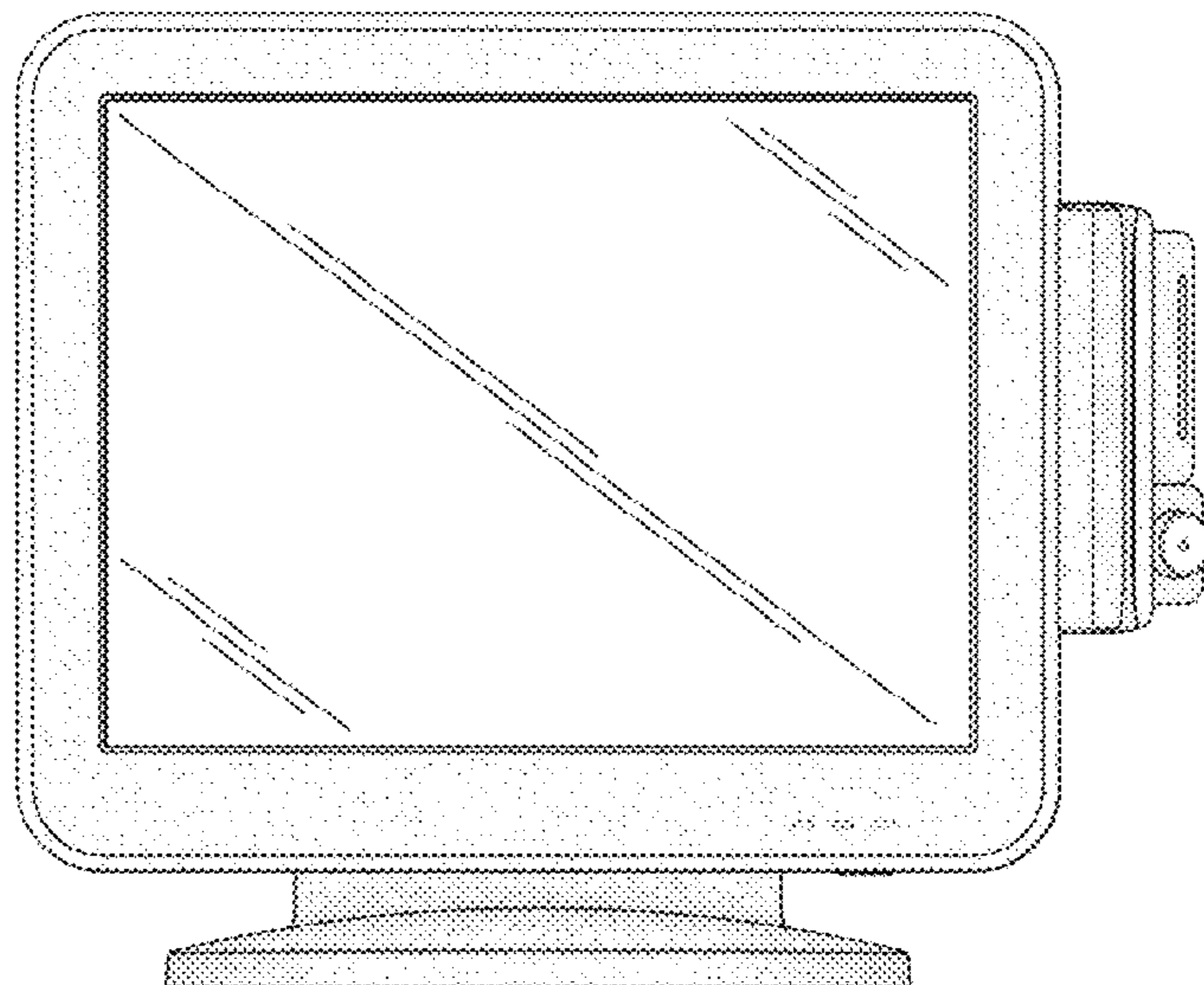
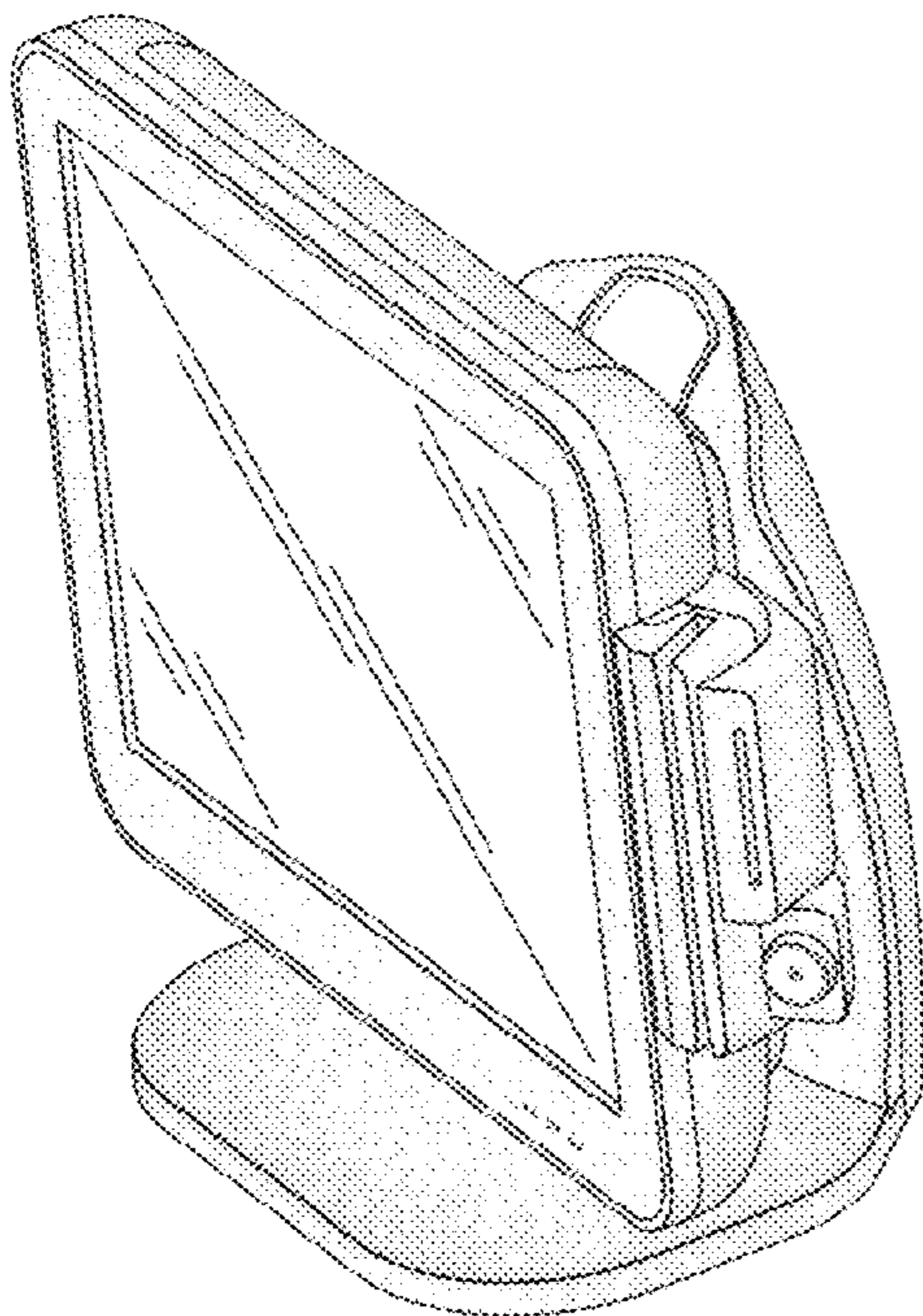
(57) **CLAIM**

The ornamental design for a register for point of sale, as shown and described.

DESCRIPTION

FIG. 1 is a front perspective view of the register for point of sale;
FIG. 2 is a front view of the register for point of sale;
FIG. 3 is a rear view of the register for point of sale;
FIG. 4 is a left side view of the register for point of sale;
FIG. 5 is a right side view of the register for point of sale;
FIG. 6 is a top view of the register for point of sale; and,
FIG. 7 is a bottom view of the register for point of sale.
The broken lines are shown for the purpose of illustrating portions of the article and form no part of the claimed design.

1 Claim, 7 Drawing Sheets



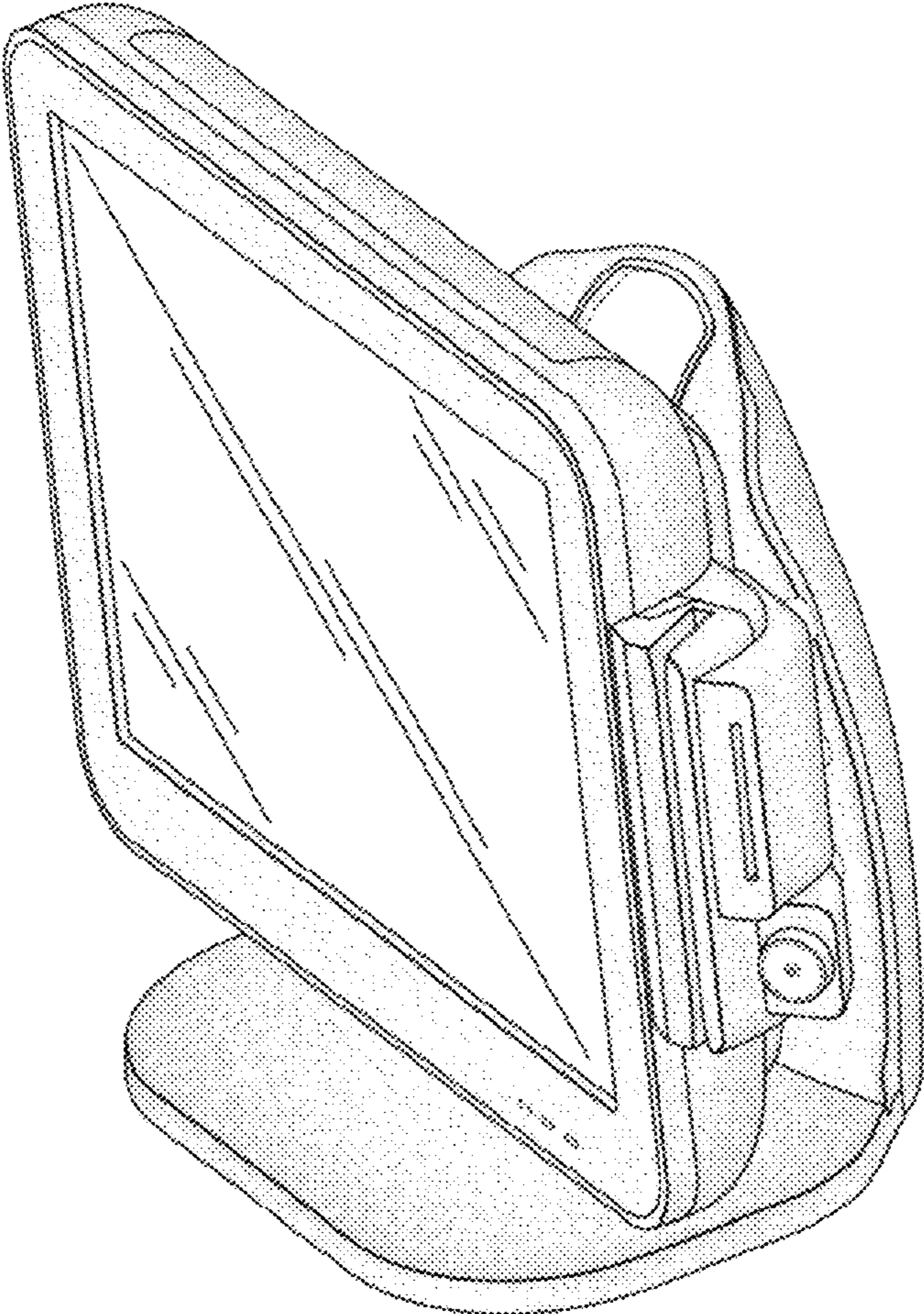


FIG. 1

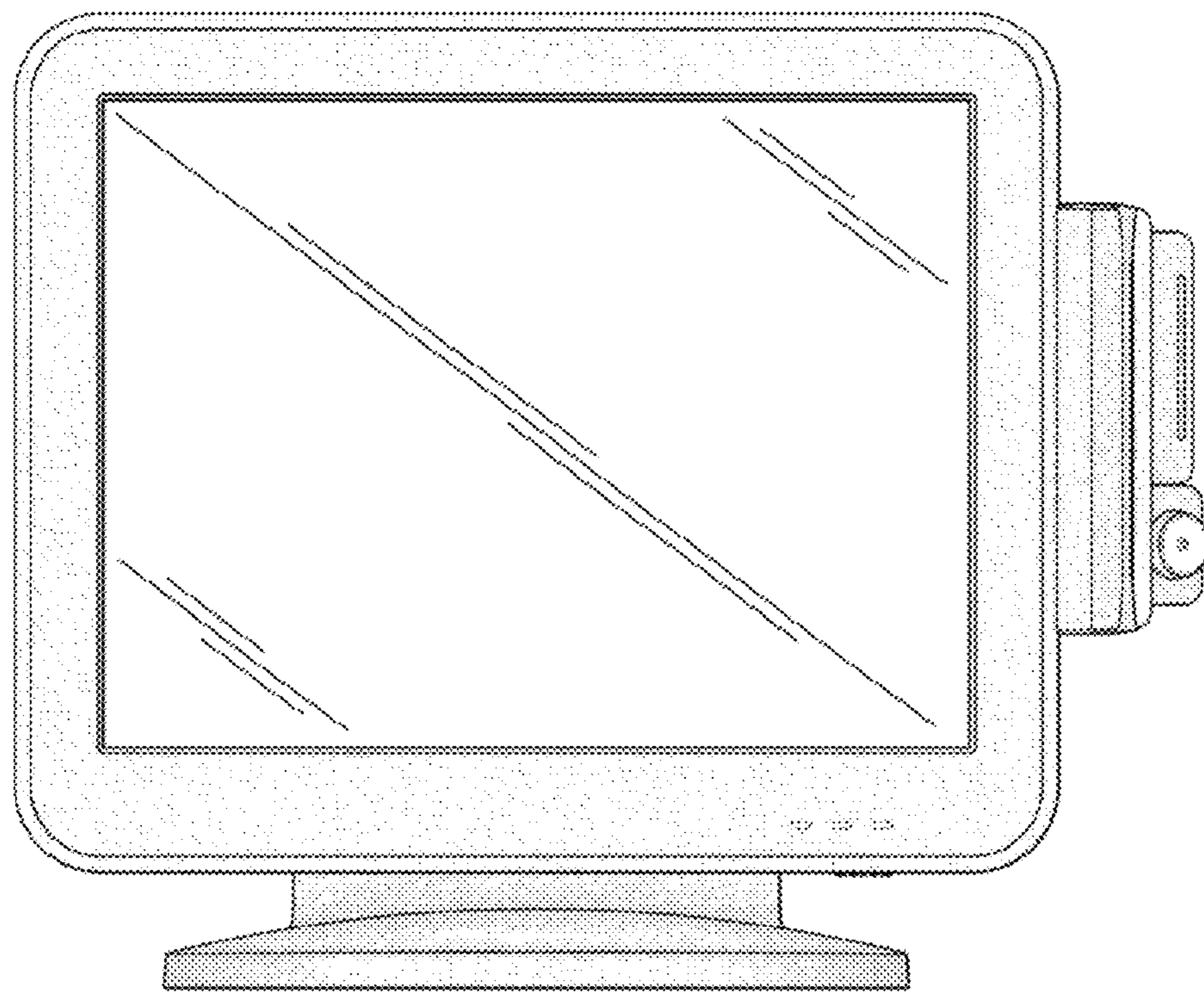


FIG. 2

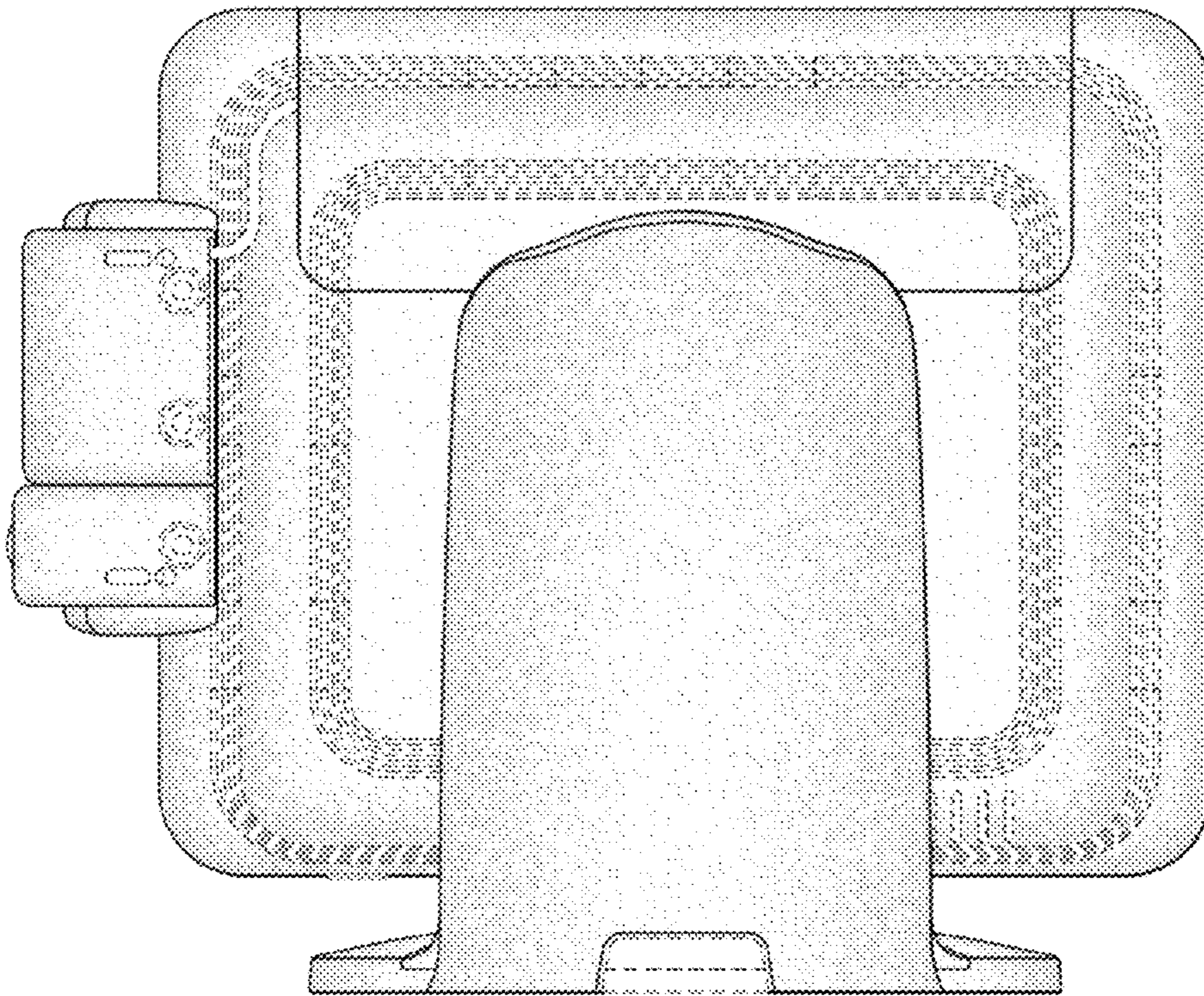


FIG. 3

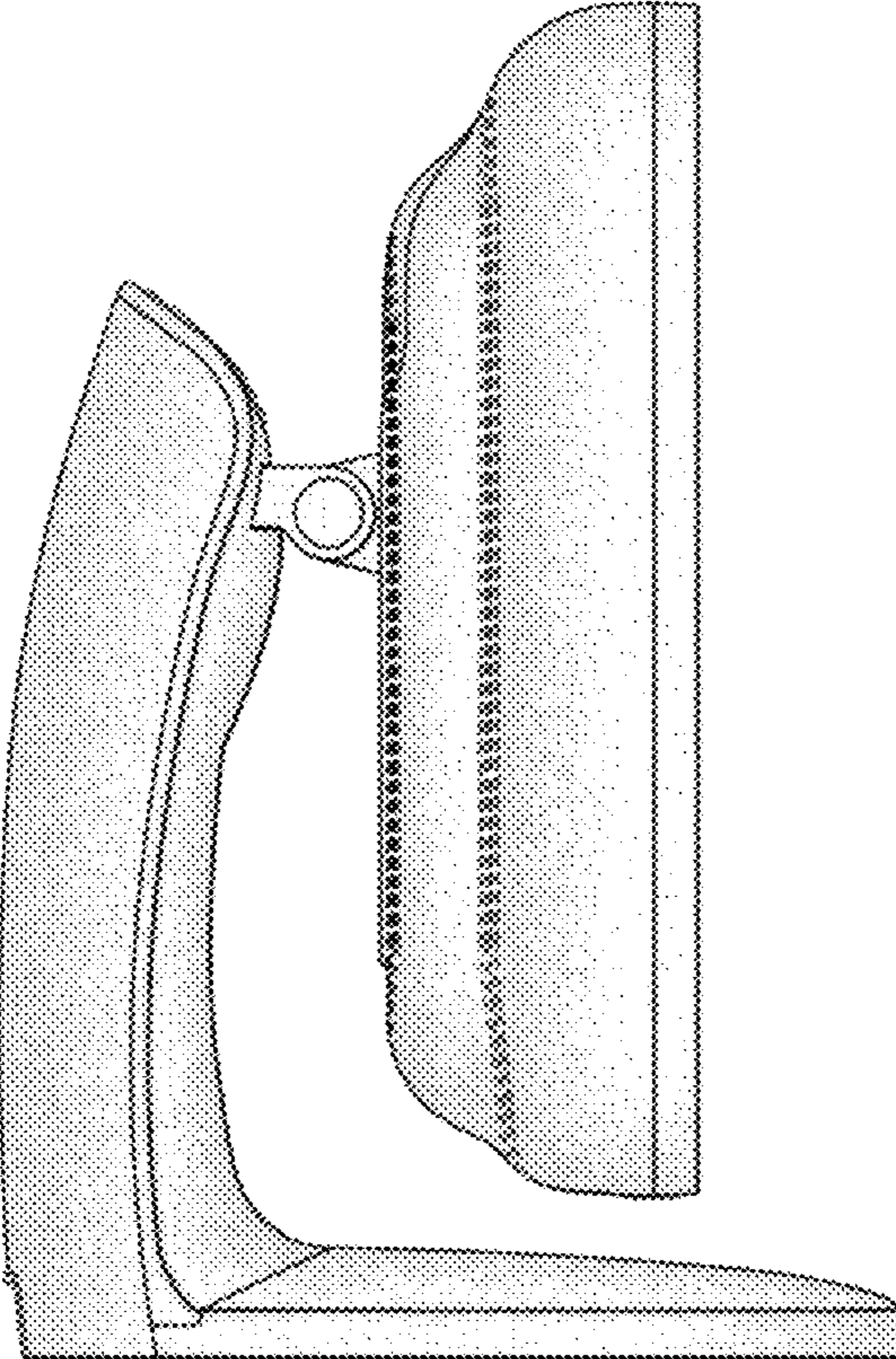


FIG. 4

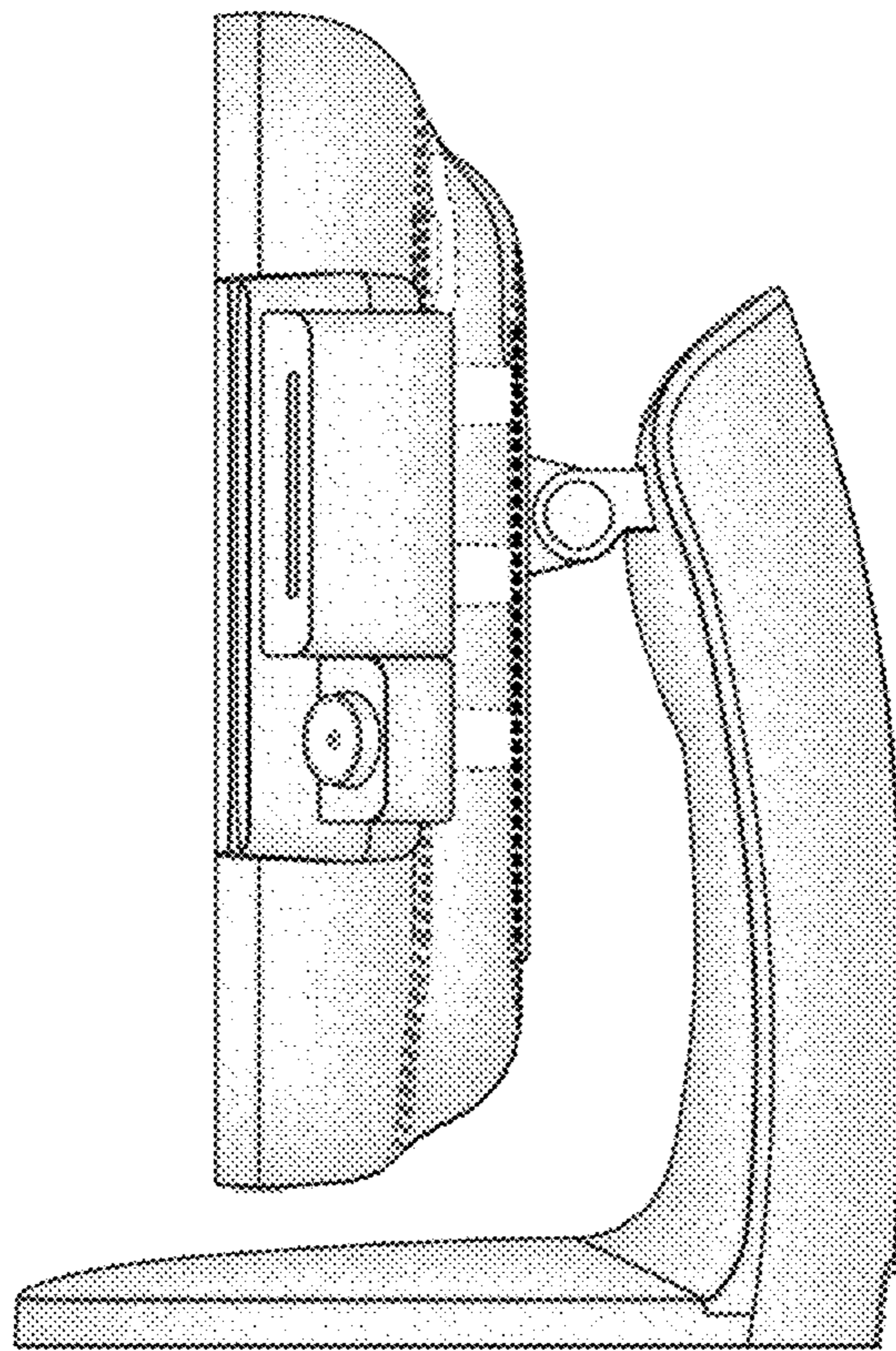


FIG. 5

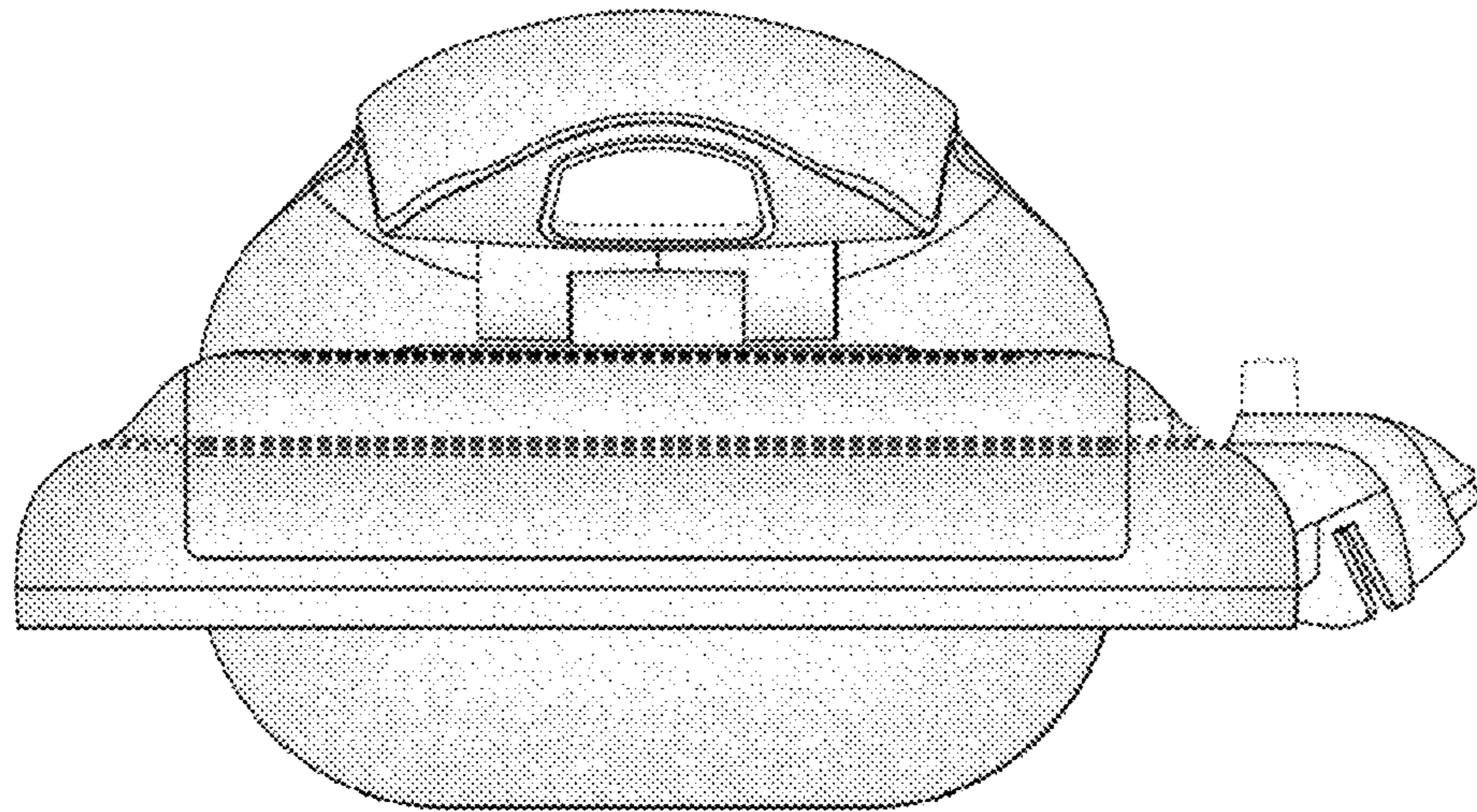


FIG. 6

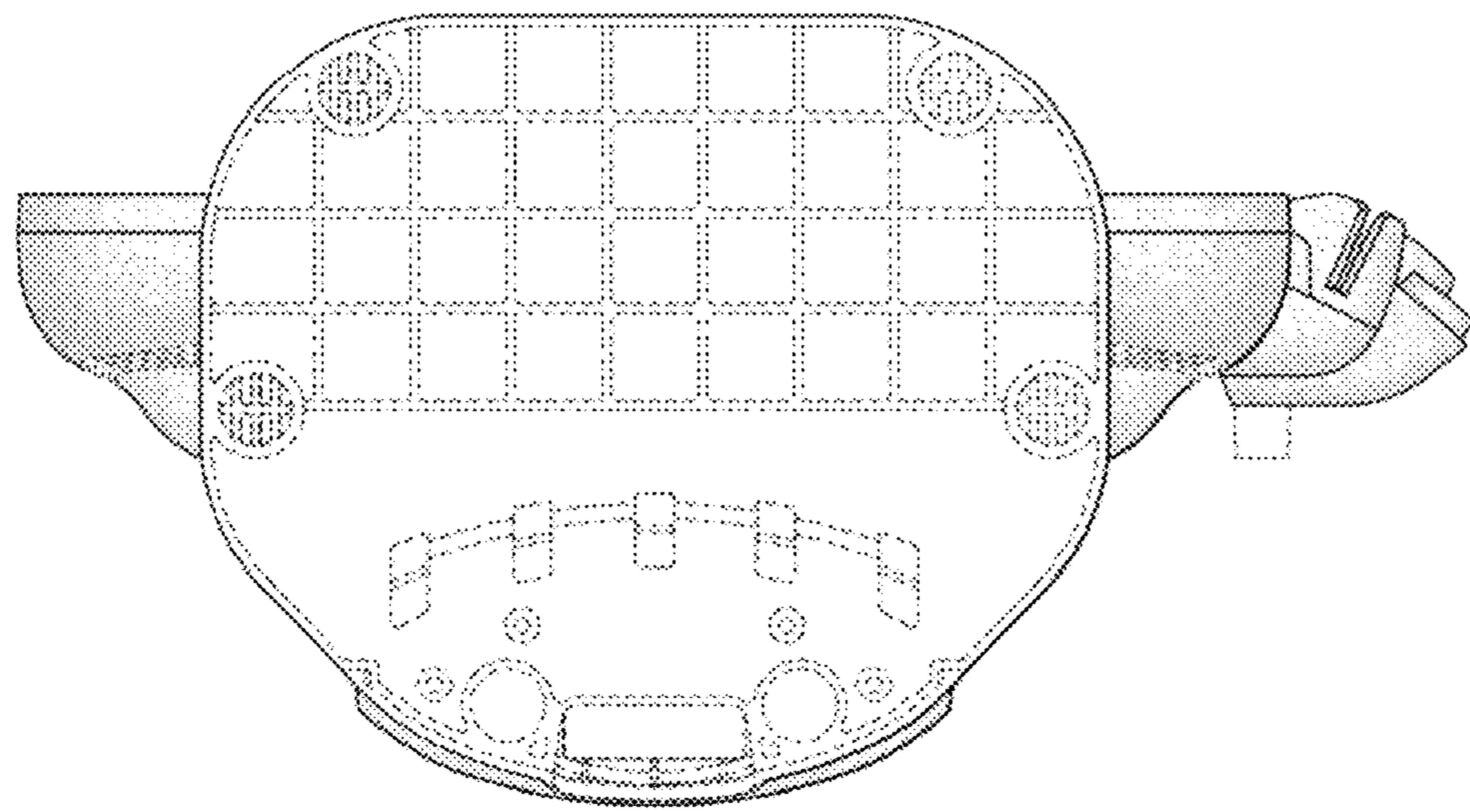


FIG. 7