

US00D725698S

(12) **United States Design Patent**  
**Müller**

(10) **Patent No.:** **US D725,698 S**  
(45) **Date of Patent:** **\*\* Mar. 31, 2015**

(54) **PERCUSSION INSTRUMENT**  
(71) Applicant: **Robert Müller**, Hamburg (DE)  
(72) Inventor: **Robert Müller**, Hamburg (DE)  
(\*\*) Term: **14 Years**

D504,458 S \* 4/2005 Edwards ..... D17/20  
D597,127 S \* 7/2009 Izen et al. .... D17/22  
D630,616 S \* 1/2011 Vex ..... D14/217  
D678,395 S \* 3/2013 Strauser ..... D17/21  
D682,346 S \* 5/2013 Bogdan et al. .... D17/20  
D709,124 S \* 7/2014 Ridinger et al. .... D17/99

(21) Appl. No.: **29/457,954**  
(22) Filed: **Jun. 14, 2013**

**OTHER PUBLICATIONS**

Jedistar. [http://www.jedistar.com/jedistar%20drum%20dating\\_e.htm](http://www.jedistar.com/jedistar%20drum%20dating_e.htm). Nov. 2011. "Ellis Guitars Acoustic Stompbox".\*  
WolvesForum.co.uk. <http://www.wolvesforum.co.uk/showthread.php?10233-NSFW-Things-that-really-really-annoy-you/page34>. Nov. 2011. Percussion Instrument.\*

(30) **Foreign Application Priority Data**

Dec. 14, 2012 (EM) ..... 002153361-0001  
Dec. 14, 2012 (EM) ..... 002153361-0002

\* cited by examiner

(51) **LOC (10) Cl.** ..... **17-04**  
(52) **U.S. Cl.**

*Primary Examiner* — Rashida Johnson

(74) *Attorney, Agent, or Firm* — Bay State IP, LLC

USPC ..... **D17/22**  
(58) **Field of Classification Search**  
USPC ..... D17/22, 24, 99; 84/102, 103, 104, 402,  
84/403, 404, 406, 409, 410, 411 R, 414,  
84/411 M, 411 P, 422.1–422.3, 457,  
84/DIG. 12; D21/405

(57) **CLAIM**

The ornamental design for a percussion instrument, as shown and described.

See application file for complete search history.

**DESCRIPTION**

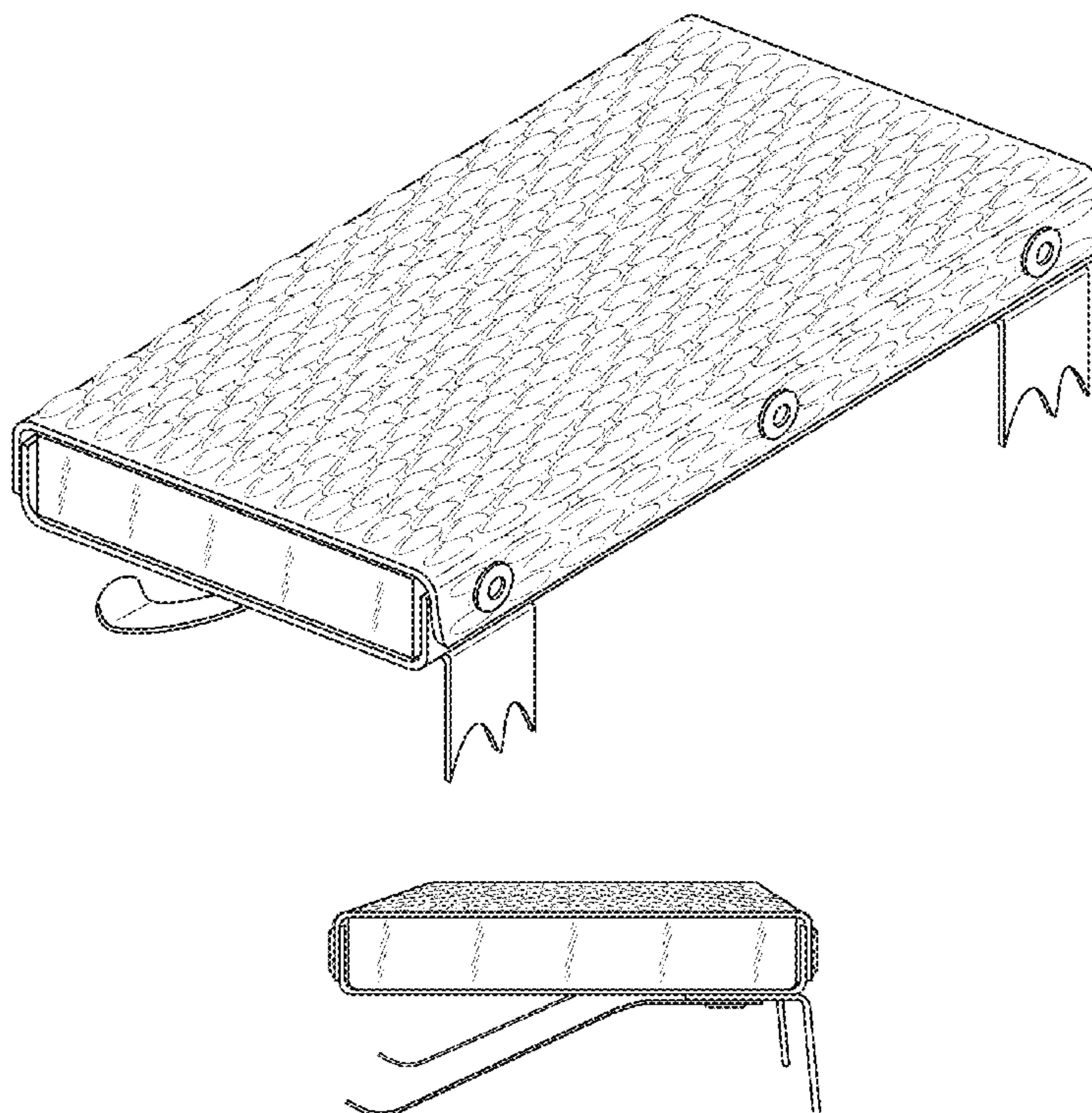
FIG. 1 is a front side perspective view of the percussion instrument showing my new design;  
FIG. 2 is a front view thereof;  
FIG. 3 is a back view thereof;  
FIG. 4 is a side view thereof; and,  
FIG. 5 is a bottom view thereof.

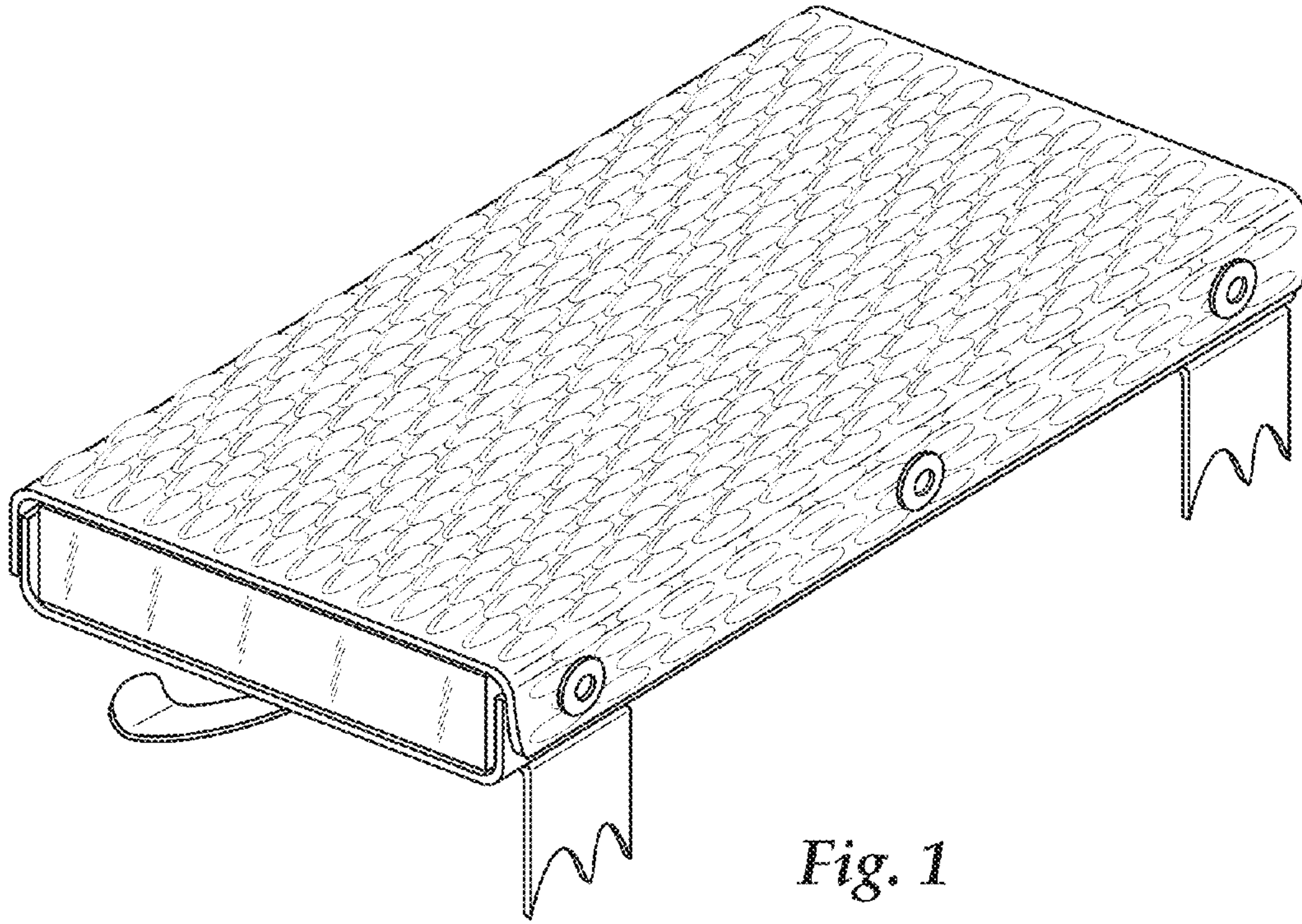
(56) **References Cited**

**U.S. PATENT DOCUMENTS**

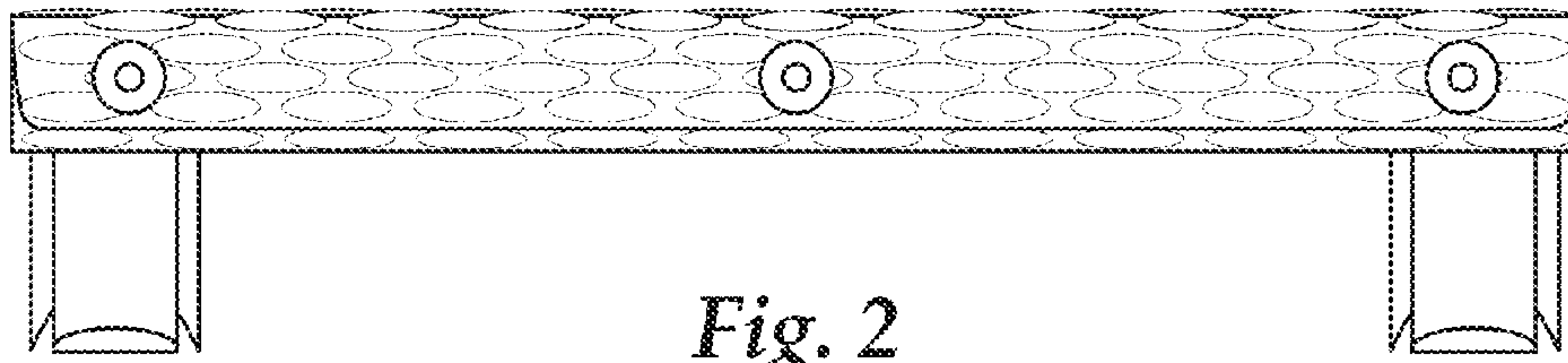
D345,756 S \* 4/1994 Clothier ..... D17/20  
D390,253 S \* 2/1998 Bacco ..... D17/22  
D405,461 S \* 2/1999 Excellente ..... D17/99

**1 Claim, 2 Drawing Sheets**

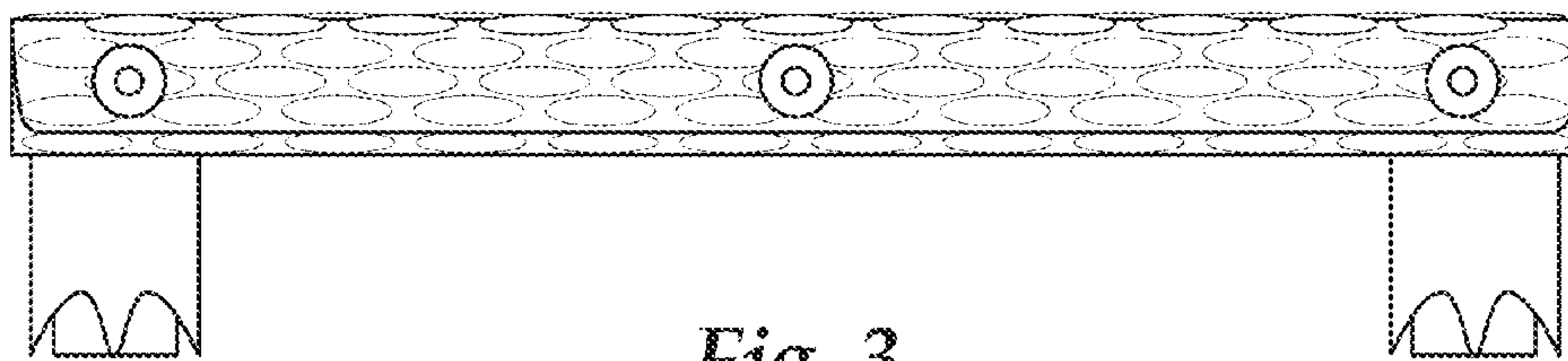




*Fig. 1*

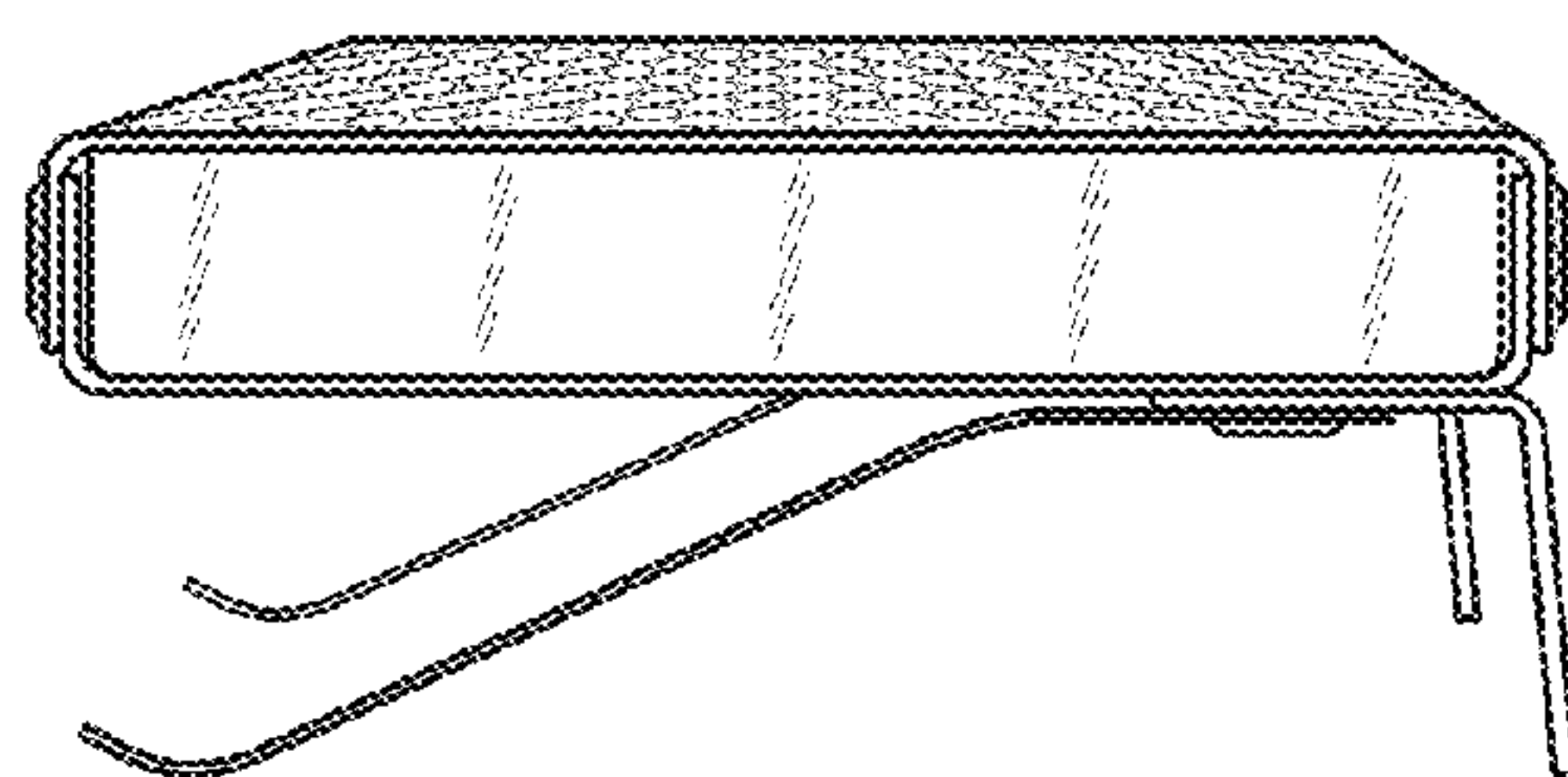


*Fig. 2*

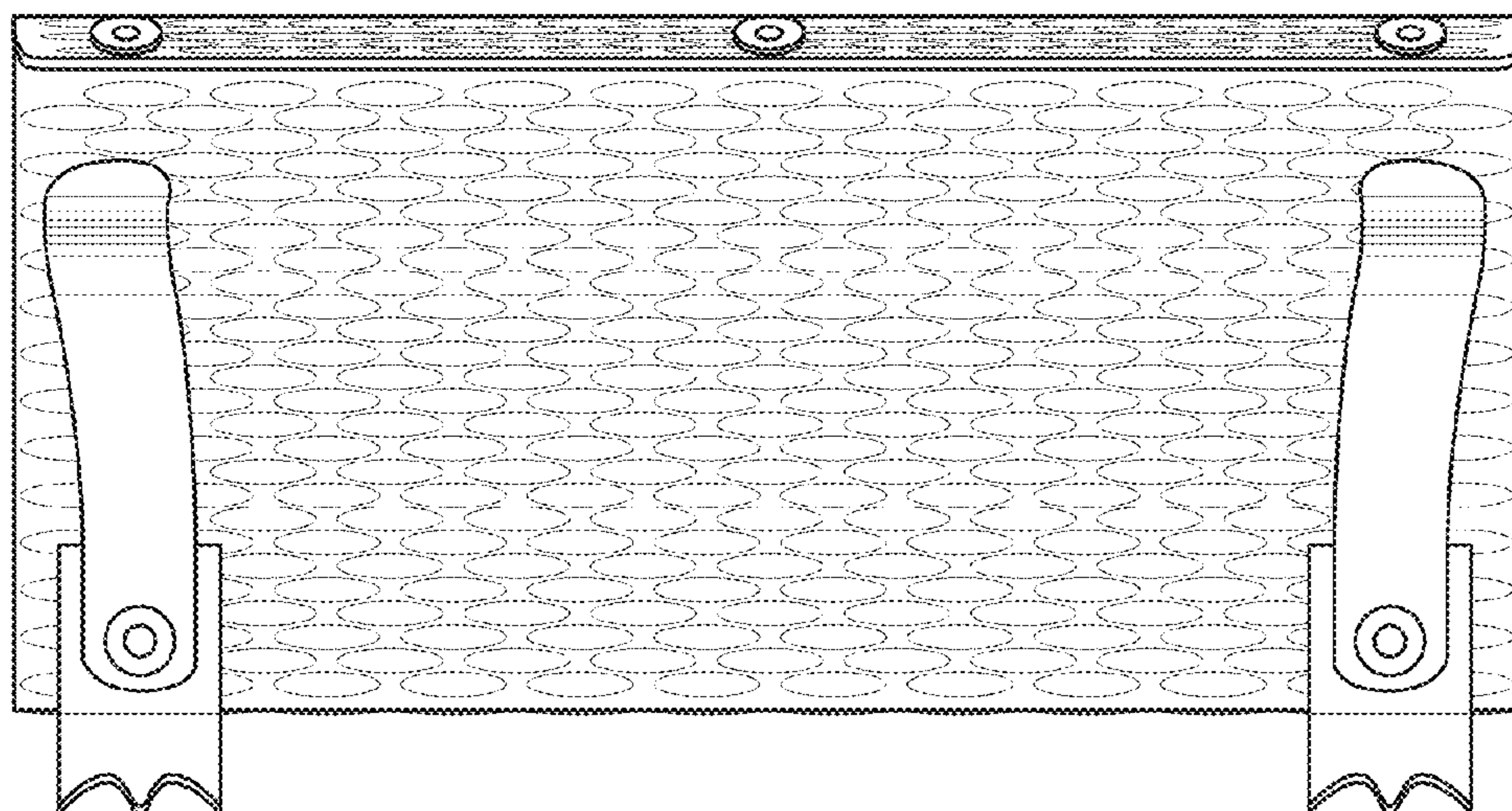


*Fig. 3*





*Fig. 4*



*Fig. 5*