



US00D725694S

(12) **United States Design Patent**
Florey

(10) **Patent No.:** **US D725,694 S**
(45) **Date of Patent:** **** Mar. 31, 2015**

- (54) **COLLAPSIBLE CAMERA CRANE**
- (71) Applicant: **Canyon Florey**, South Lake Tahoe, CA (US)
- (72) Inventor: **Canyon Florey**, South Lake Tahoe, CA (US)
- (73) Assignee: **Lite Pro Gear**, Zephyr Cove, NV (US)

(**) Term: **14 Years**

(21) Appl. No.: **29/473,730**

(22) Filed: **Nov. 25, 2013**

(51) **LOC (10) Cl.** **16-05**

(52) **U.S. Cl.**
USPC **D16/242**

(58) **Field of Classification Search**
 CPC G03B 17/14; G03B 17/26; G03B 17/30;
 G03B 17/56; G03B 17/561-17/568; G03B
 21/54; F16M 11/14; F16M 11/26; F16M
 13/04; H04N 5/2254
 USPC D16/205, 208, 211, 214, 218-220, 235,
 D16/237-250, 302, 303; D8/354, 363, 394,
 D8/395; D14/217, 251, 253, 447, 452
 See application file for complete search history.

(56) **References Cited**

U.S. PATENT DOCUMENTS

1,942,925	A *	1/1934	Jenkins	248/123.2
2,156,862	A *	5/1939	Maugard	248/123.2
D238,903	S *	2/1976	Colvig	D16/242
D289,835	S *	5/1987	Schoenig et al.	D6/462
4,671,478	A *	6/1987	Schoenig et al.	248/124.1
4,702,450	A *	10/1987	Barisa	248/123.2
4,849,778	A *	7/1989	Samuelson	396/428
4,952,953	A *	8/1990	Ridderstolpe et al.	396/428
5,856,862	A	1/1999	Kokush		
6,478,427	B1	11/2002	Morris et al.		
6,752,541	B1 *	6/2004	Dykyj	396/428
6,776,488	B2 *	8/2004	Burbulla	352/243

7,128,419	B2 *	10/2006	Harris	352/243
D539,827	S *	4/2007	Ebeid	D16/242
7,249,740	B1 *	7/2007	Morales et al.	248/187.1
7,293,668	B2	11/2007	Brossart et al.		
D588,621	S	3/2009	Baty		
7,544,001	B2 *	6/2009	Chapman	396/428
8,057,112	B2 *	11/2011	Amadril et al.	396/428
D670,284	S *	11/2012	Choi	D14/253
2010/0200710	A1 *	8/2010	Shenouda	248/157

* cited by examiner

Primary Examiner — Susan Bennett-Hattan

Assistant Examiner — Vy Koenig

(74) *Attorney, Agent, or Firm* — Pillsbury Winthrop Shaw Pittman LLP

(57) **CLAIM**

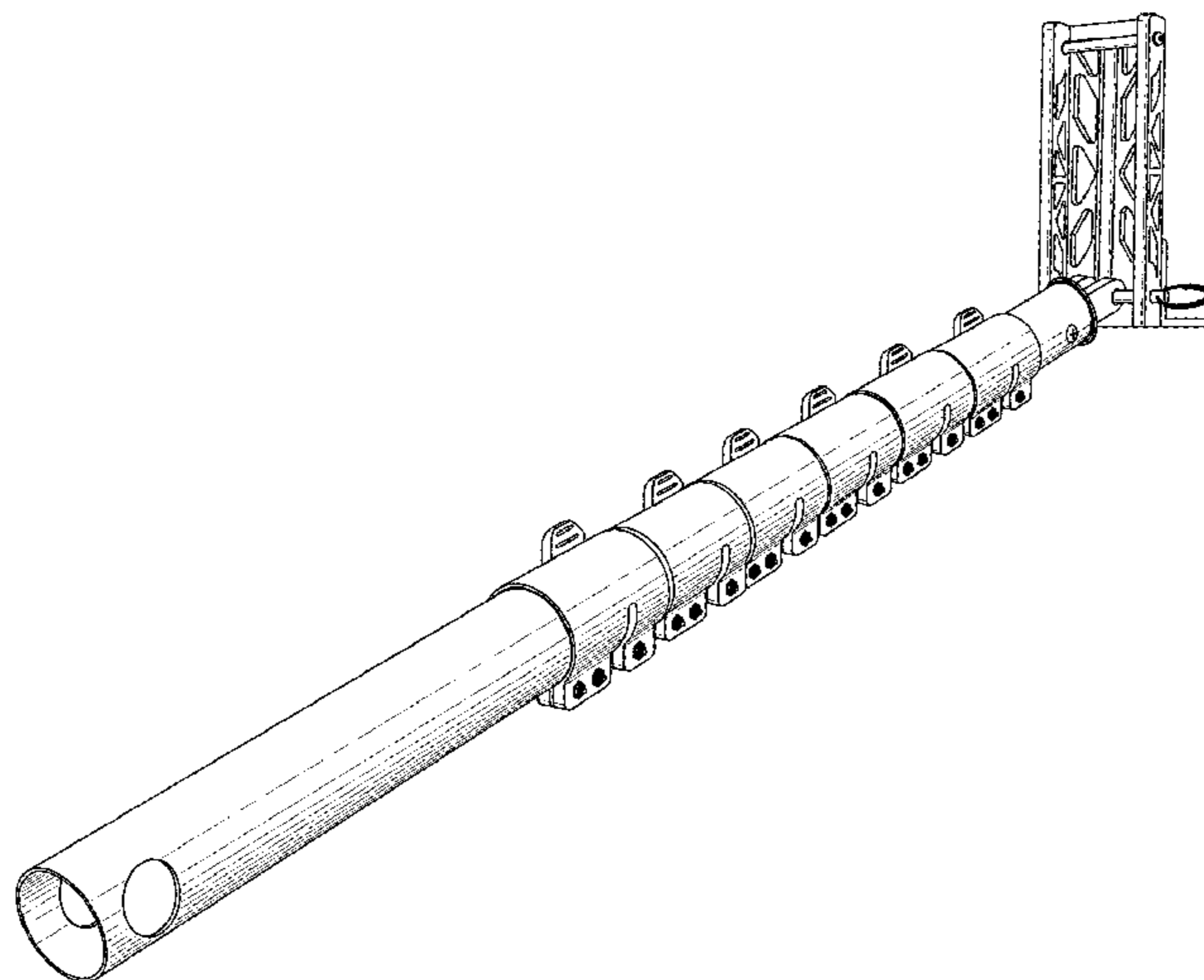
The ornamental design for a collapsible camera crane, as shown and described.

DESCRIPTION

FIG. 1 is a perspective view of a collapsible camera crane, showing my new design in a collapsed configuration; FIG. 2 is a rear elevational view of FIG. 1; FIG. 3 is a front elevational view of FIG. 1; FIG. 4 is a left-side elevational view of FIG. 1; FIG. 5 is a right-side elevational view of FIG. 1; FIG. 6 is a top plan view of FIG. 1; FIG. 7 is a bottom plan view of FIG. 1; FIG. 8 is a perspective view thereof, illustrated in an extended configuration; FIG. 9 is a rear elevational view of FIG. 8; FIG. 10 is a front elevational view of FIG. 8; FIG. 11 is a left-side elevational view of FIG. 8; FIG. 12 is a right-side elevational view of FIG. 8; FIG. 13 is a top plan view of FIG. 8; and, FIG. 14 is a bottom plan view of FIG. 8.

The broken lines showing a tripod, weight bag, actuator cable, carabiner and tower feature in the figures depict environmental subject matter and form no part of the claimed design.

1 Claim, 5 Drawing Sheets



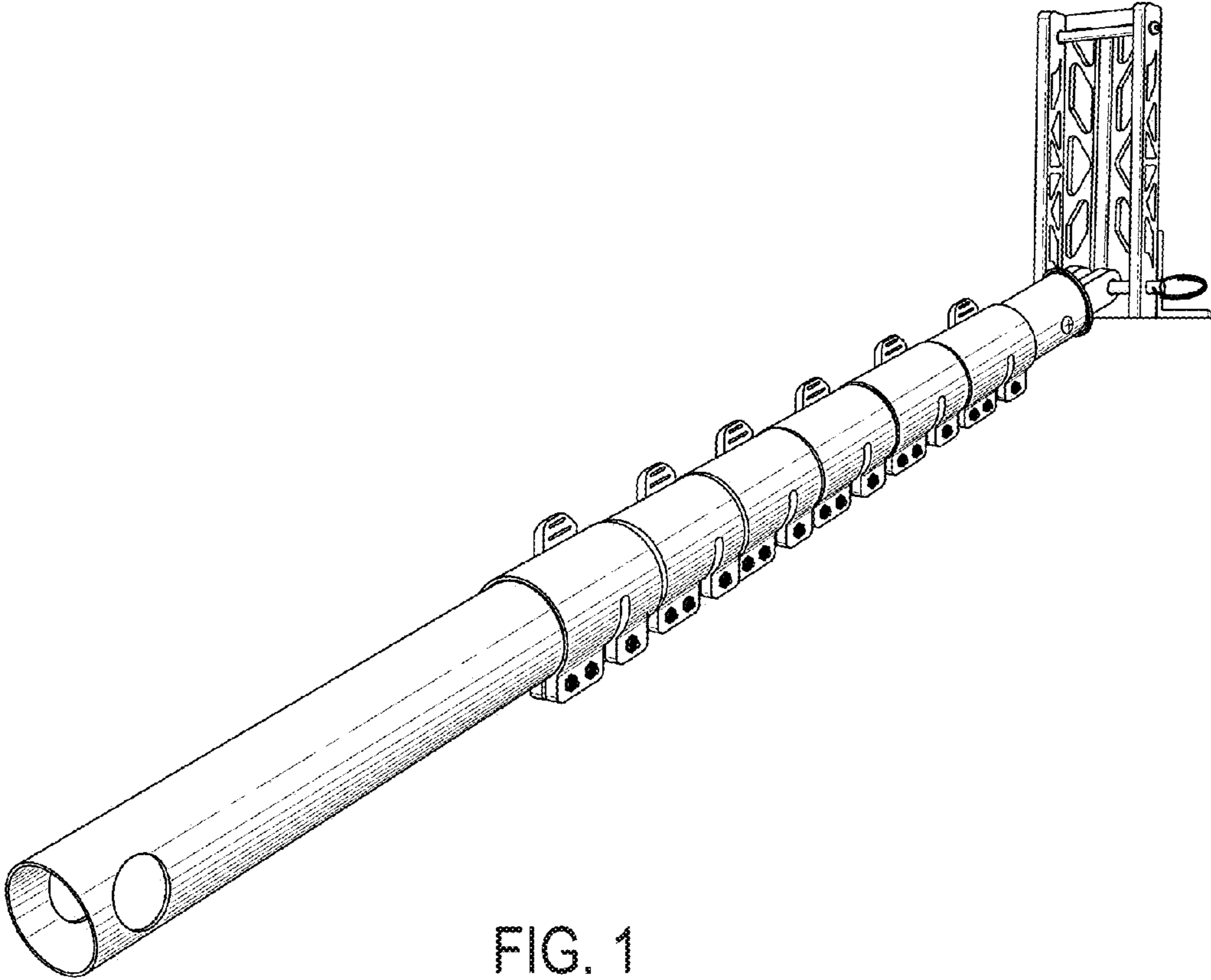


FIG. 1

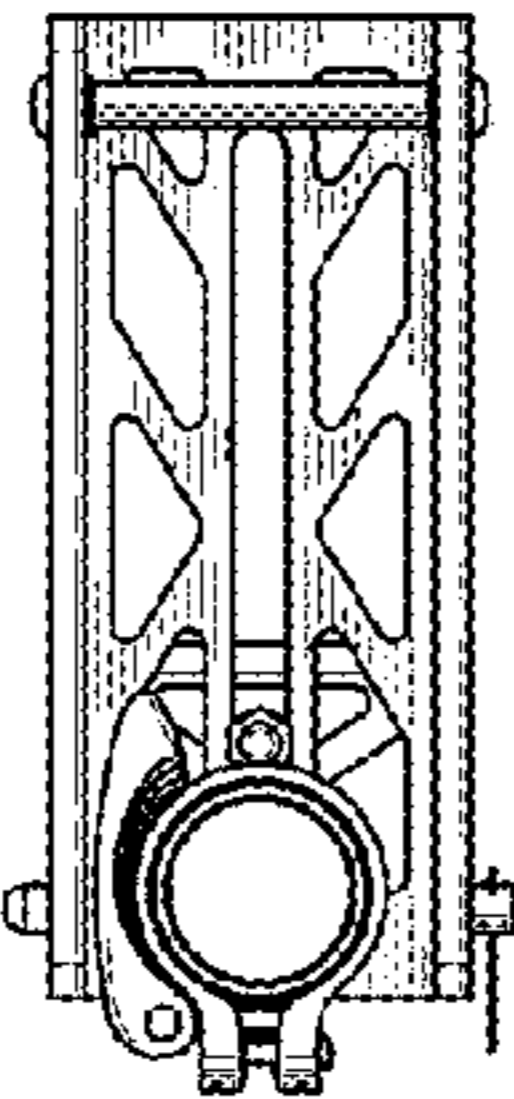


FIG. 2

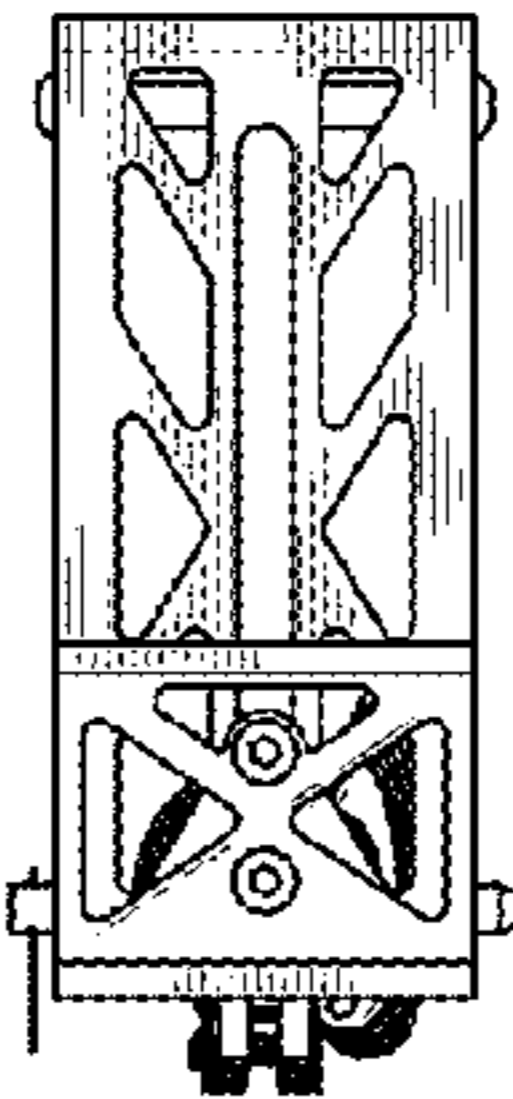


FIG. 3

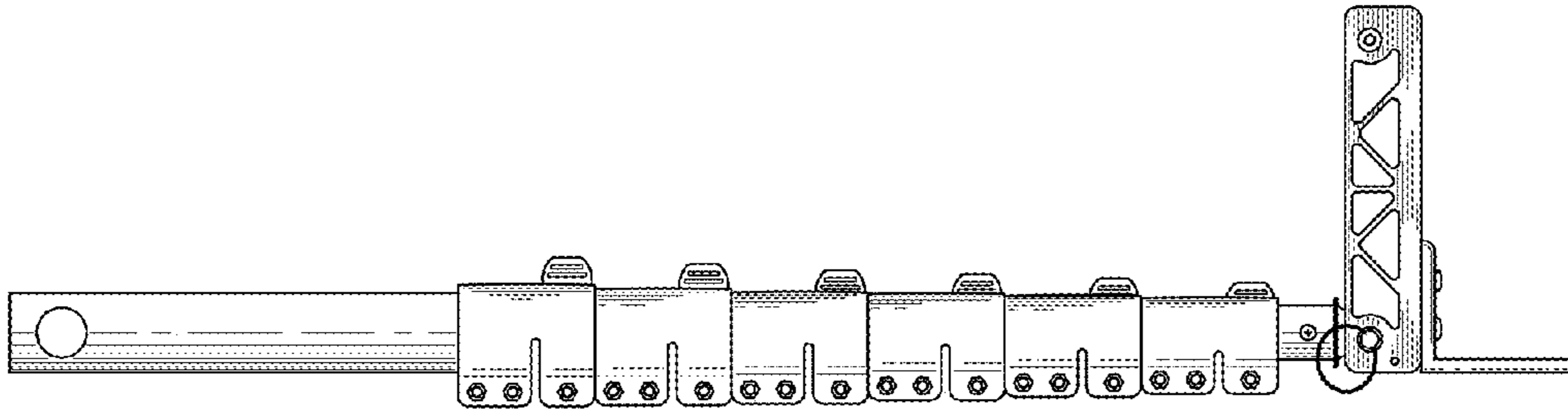


FIG. 4

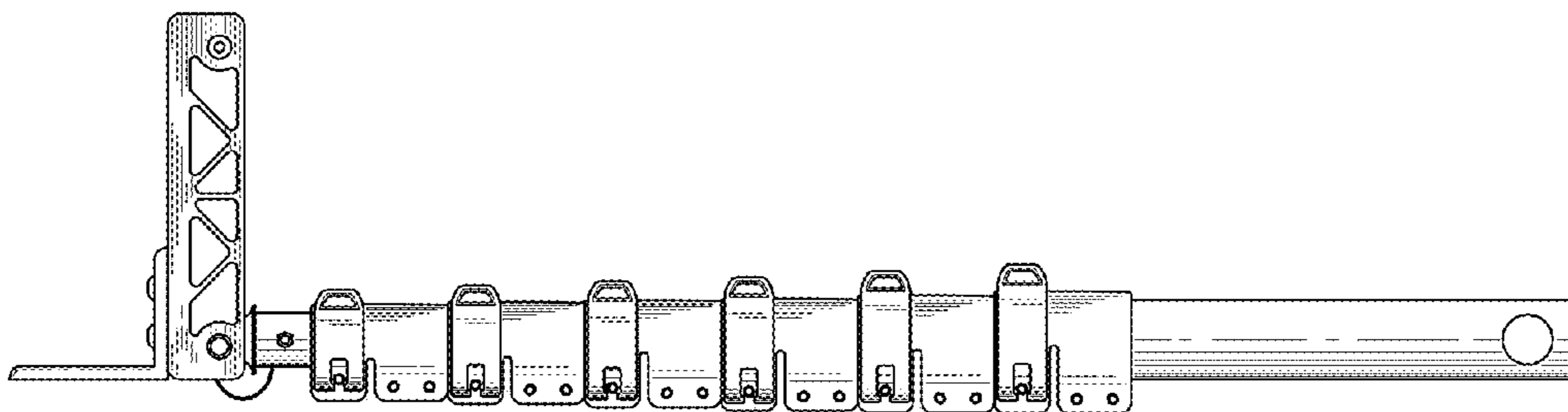


FIG. 5

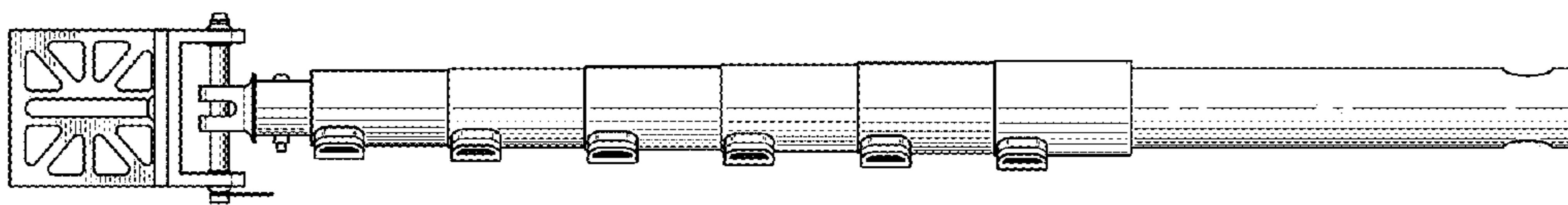


FIG. 6

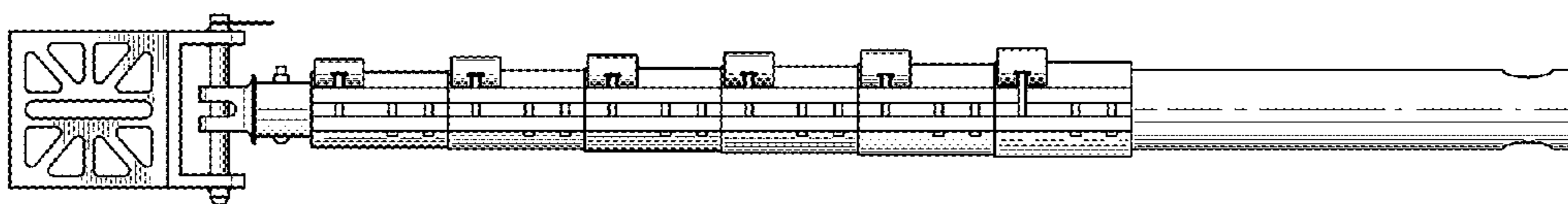


FIG. 7

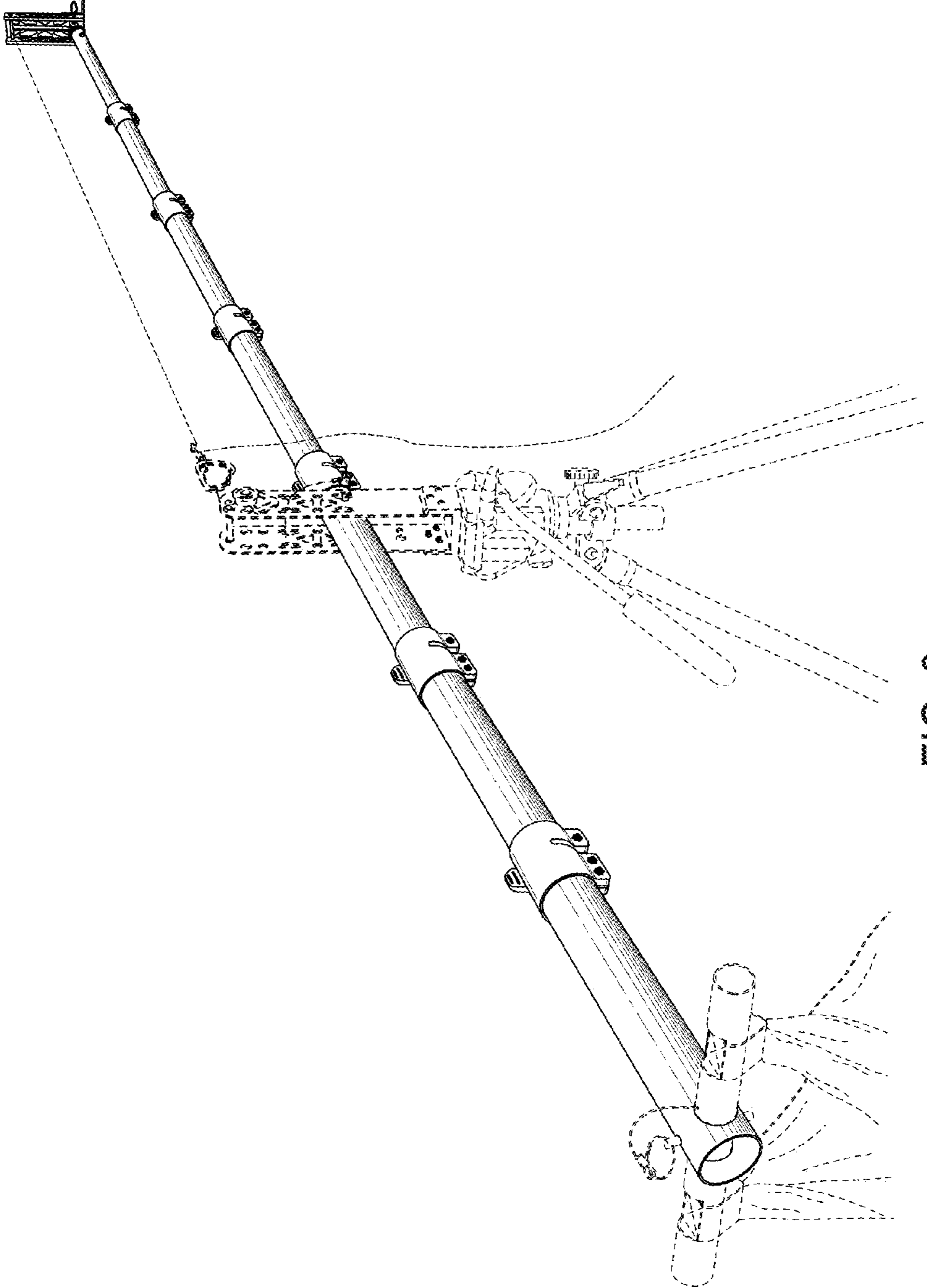


FIG. 8

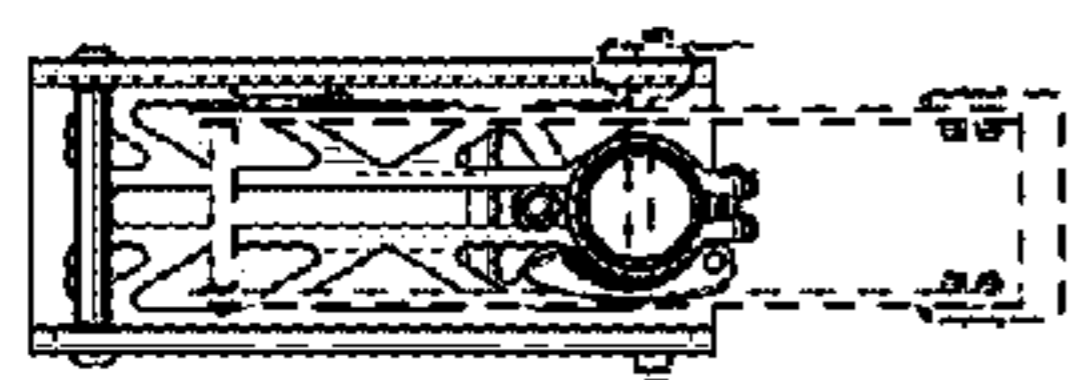


FIG. 9

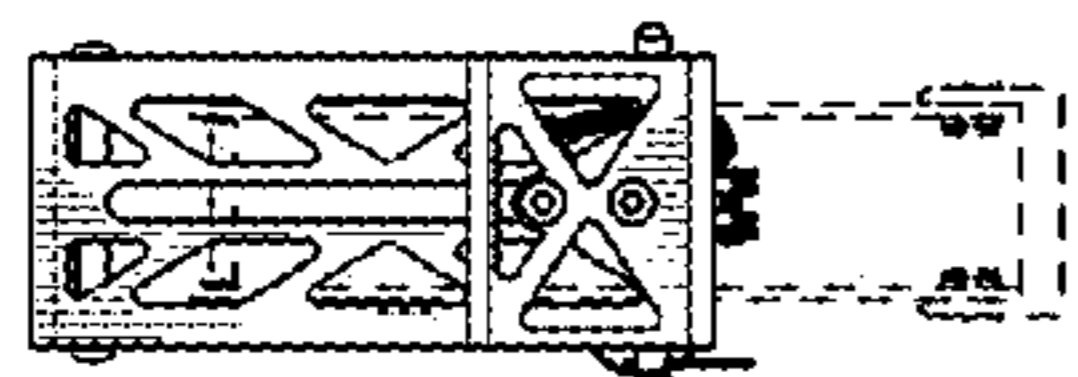


FIG. 10

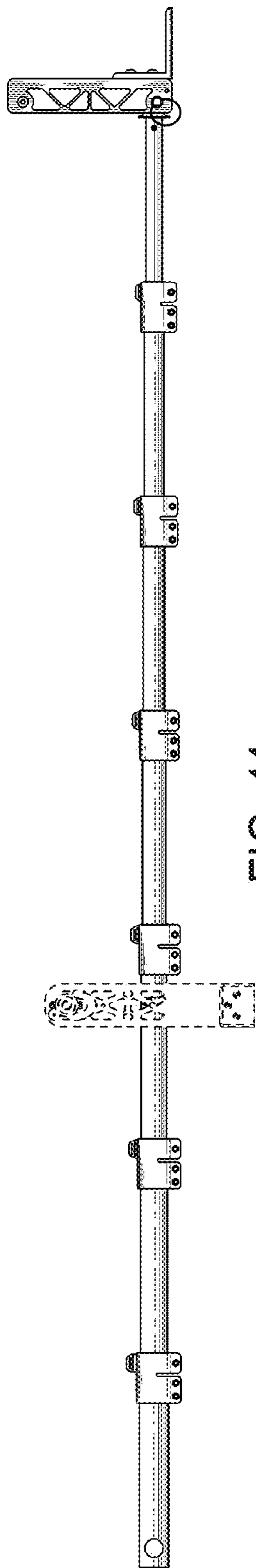


FIG. 11

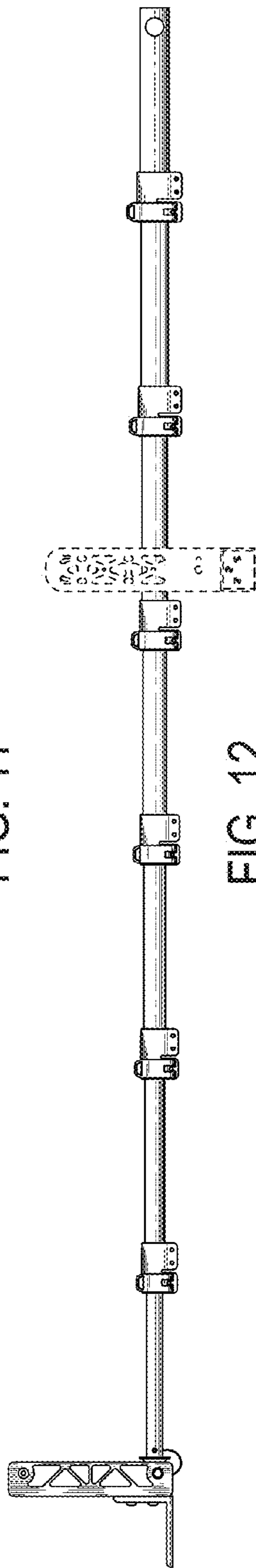


FIG. 12

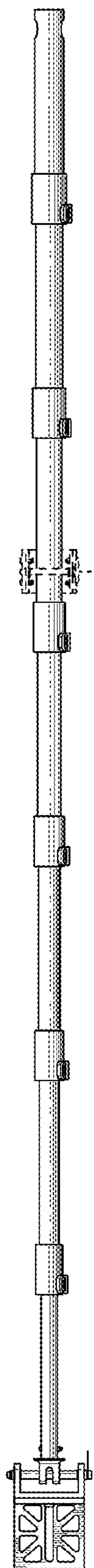


FIG. 13

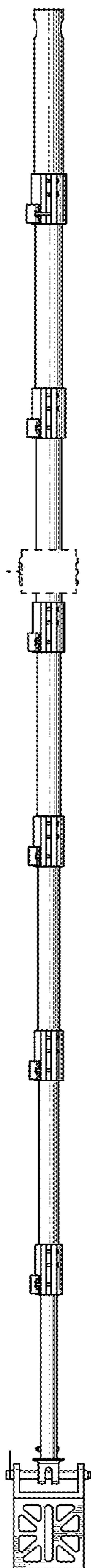


FIG. 14