



US00D725693S

(12) **United States Design Patent**
Lenz et al.

(10) **Patent No.:** **US D725,693 S**
(45) **Date of Patent:** **** Mar. 31, 2015**

(54) **HEADS-UP DISPLAY PROJECTOR**

(71) Applicant: **Garmin Switzerland GmbH**,
Schaffhausen (CH)
(72) Inventors: **Derrick D. Lenz**, Olathe, KS (US);
Chao-Ting Chen, Taichung (TW);
Warren R. Stevens, Olathe, KS (US)
(73) Assignee: **Garmin Switzerland GmbH** (CH)
(**) Term: **14 Years**

(21) Appl. No.: **29/459,854**
(22) Filed: **Jul. 3, 2013**
(51) **LOC (10) Cl.** **16-02**
(52) **U.S. Cl.**
USPC **D16/229**; D16/225
(58) **Field of Classification Search**
USPC D16/203, 221, 225, 229-235; D21/514;
D12/400; 345/7-8; 353/11-13, 98,
353/115, 119, 122
See application file for complete search history.

(56) **References Cited**

U.S. PATENT DOCUMENTS

6,049,288	A *	4/2000	Kawasaki	345/7
6,504,518	B1 *	1/2003	Kuwayama et al.	345/7
6,837,581	B1 *	1/2005	Raines et al.	353/13
D546,365	S *	7/2007	Jost et al.	D16/221
7,528,798	B2 *	5/2009	Harada et al.	345/7
D623,214	S *	9/2010	Onoda	D16/225
2011/0273364	A1 *	11/2011	Christensen	345/7
2014/0176397	A1 *	6/2014	Zhao et al.	345/7

OTHER PUBLICATIONS

Garmin Head-up Display Review. Sep. 9, 2013. [Retrieved on Oct. 6, 2014]. Retrieved from the Internet: <URL: http://www.google.com>.*

* cited by examiner

Primary Examiner — Wan Laymon

(74) *Attorney, Agent, or Firm* — Samuel M. Korte;
Mohammad M. Ali

(57) **CLAIM**

The ornamental design for a heads-up display projector, as shown and described.

DESCRIPTION

FIG. 1 is a front perspective view of a heads-up display projector according to embodiments of the present invention; FIG. 2 is a rear perspective view of the heads-up display projector;
FIG. 3 is a top view of the heads-up display projector;
FIG. 4 is a front view of the heads-up display projector;
FIG. 5 is a bottom view of the heads-up display projector;
FIG. 6 is a rear view of the heads-up display projector;
FIG. 7 is a left side view of the heads-up display projector;
and,
FIG. 8 is a right side view of the heads-up display projector. The broken lines shown in the figures represent portions of the heads-up display projector that form no part of the claimed design.

1 Claim, 3 Drawing Sheets

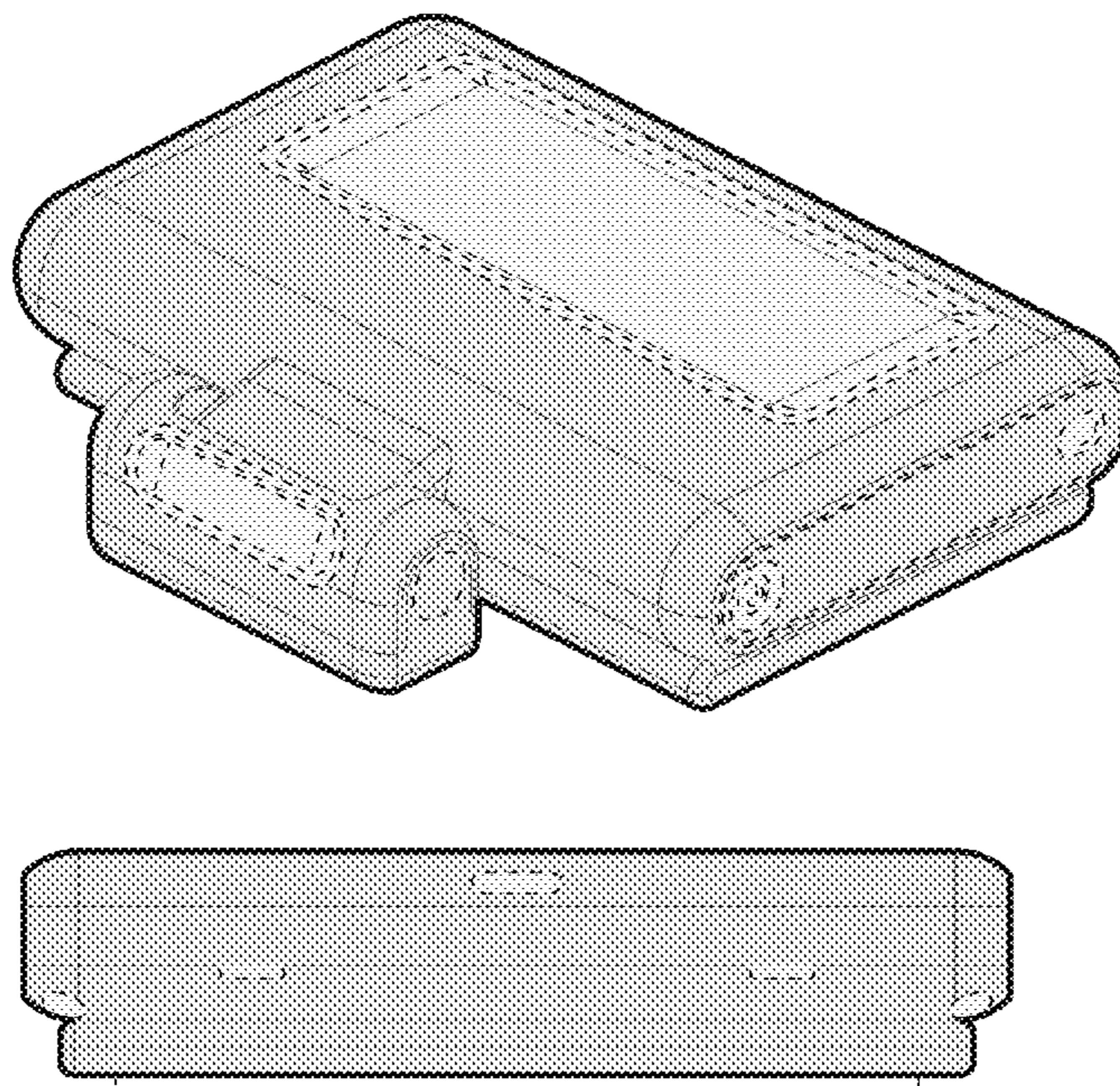


Fig. 1

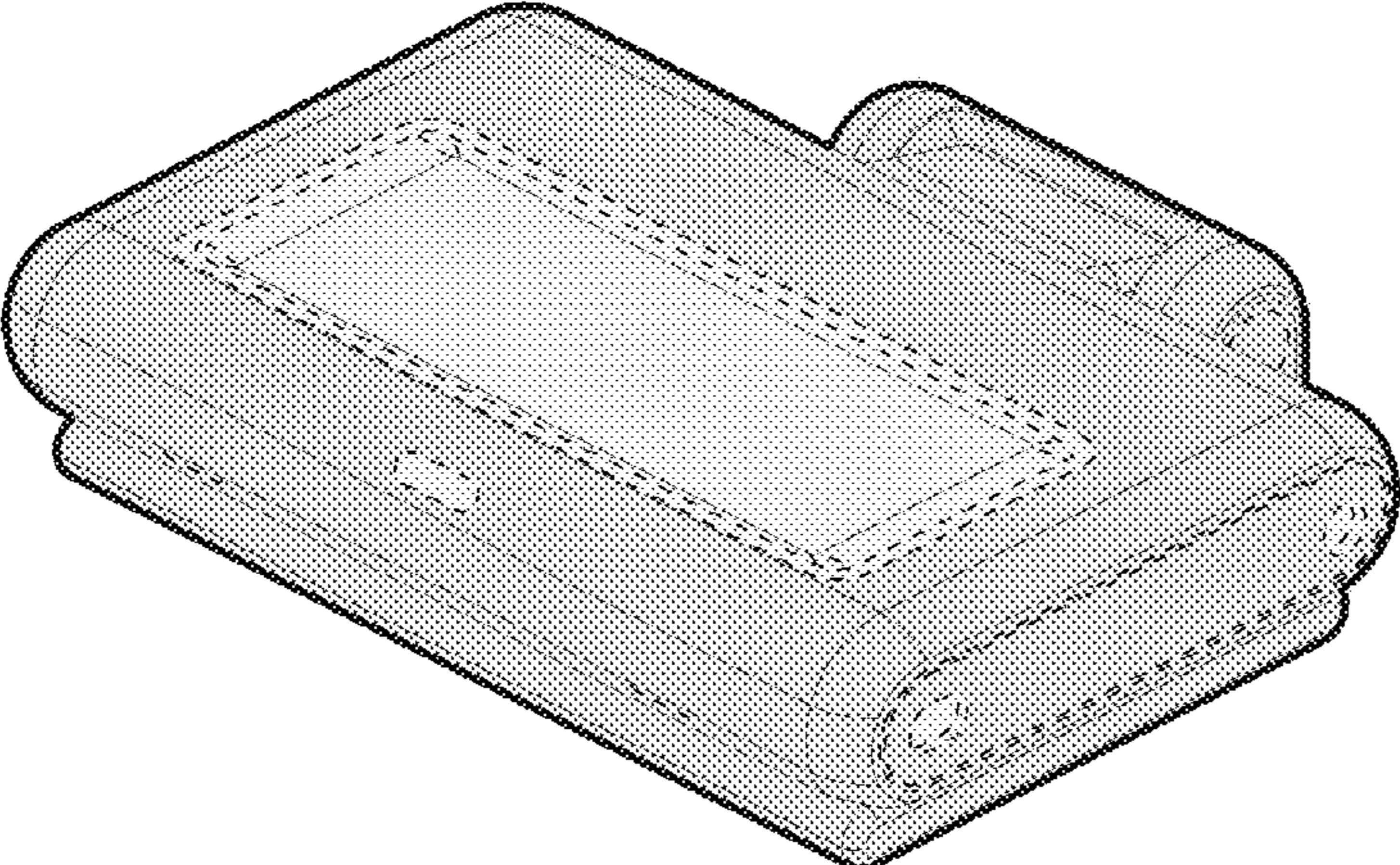
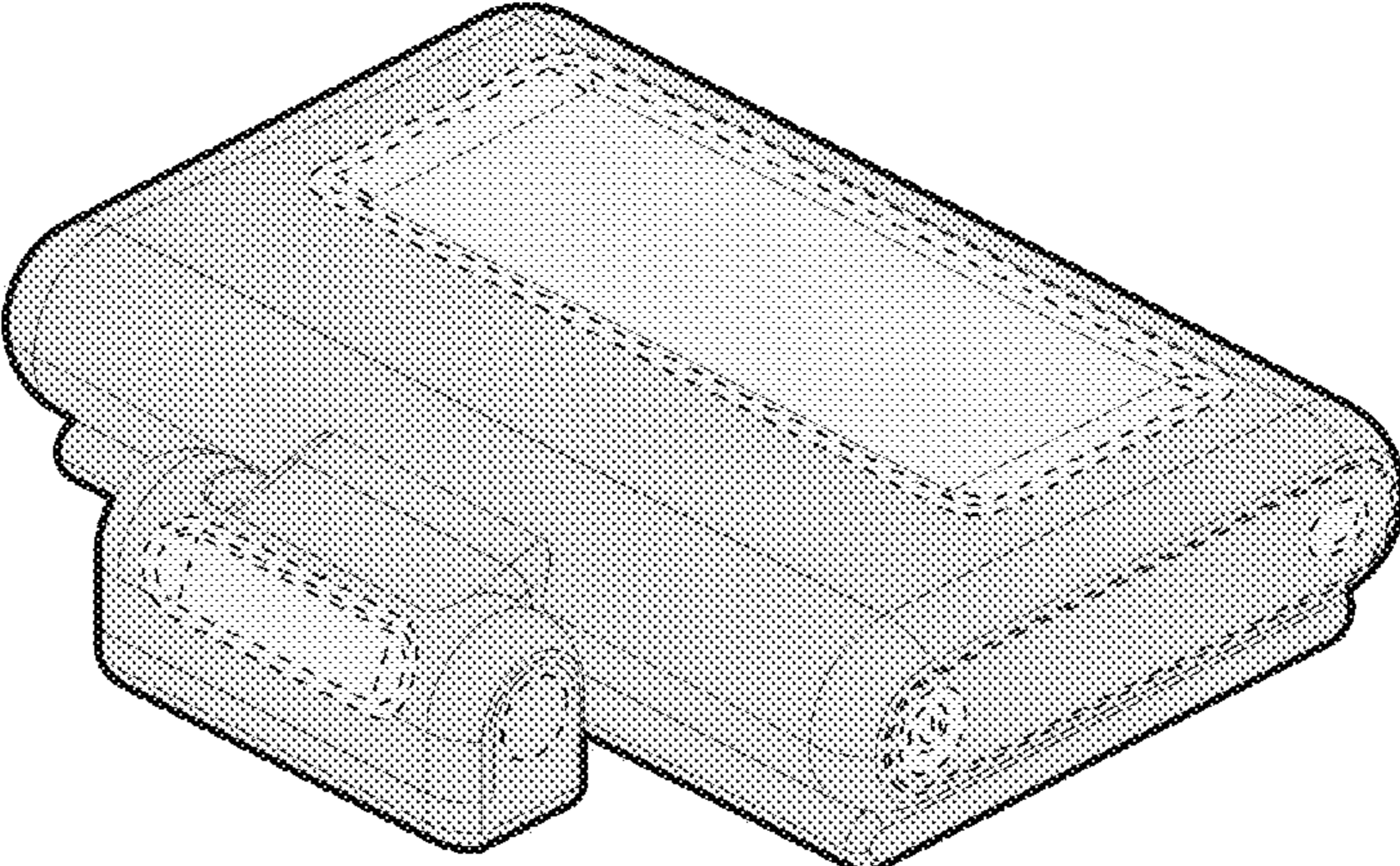


Fig. 2

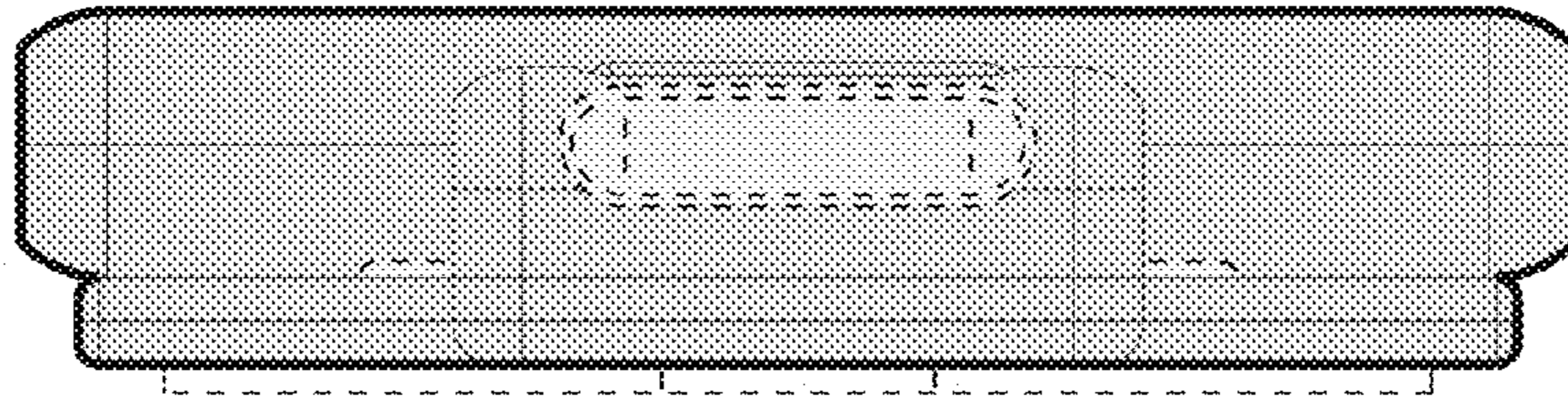


Fig. 3

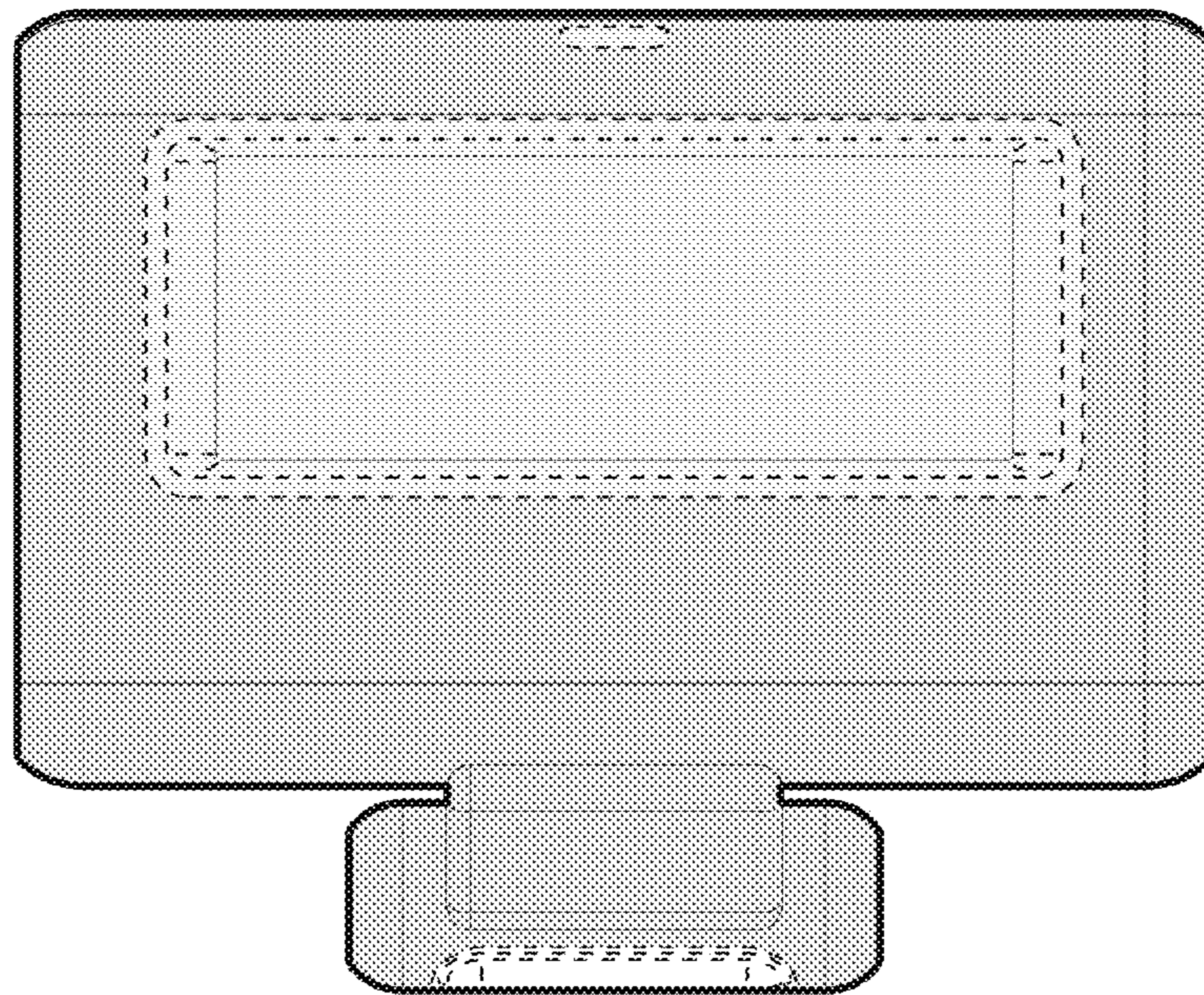


Fig. 4

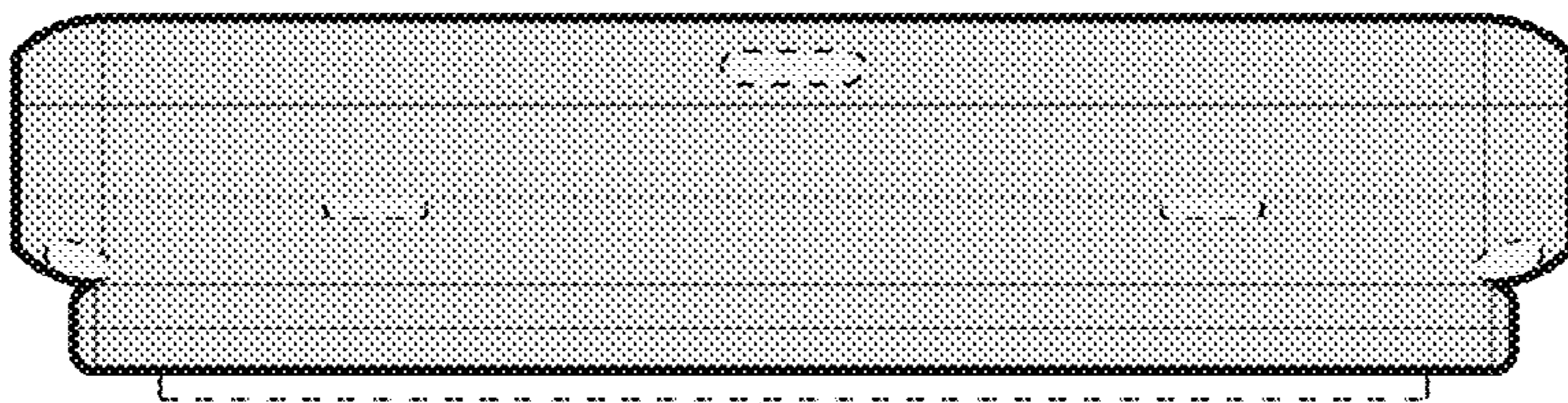


Fig. 5

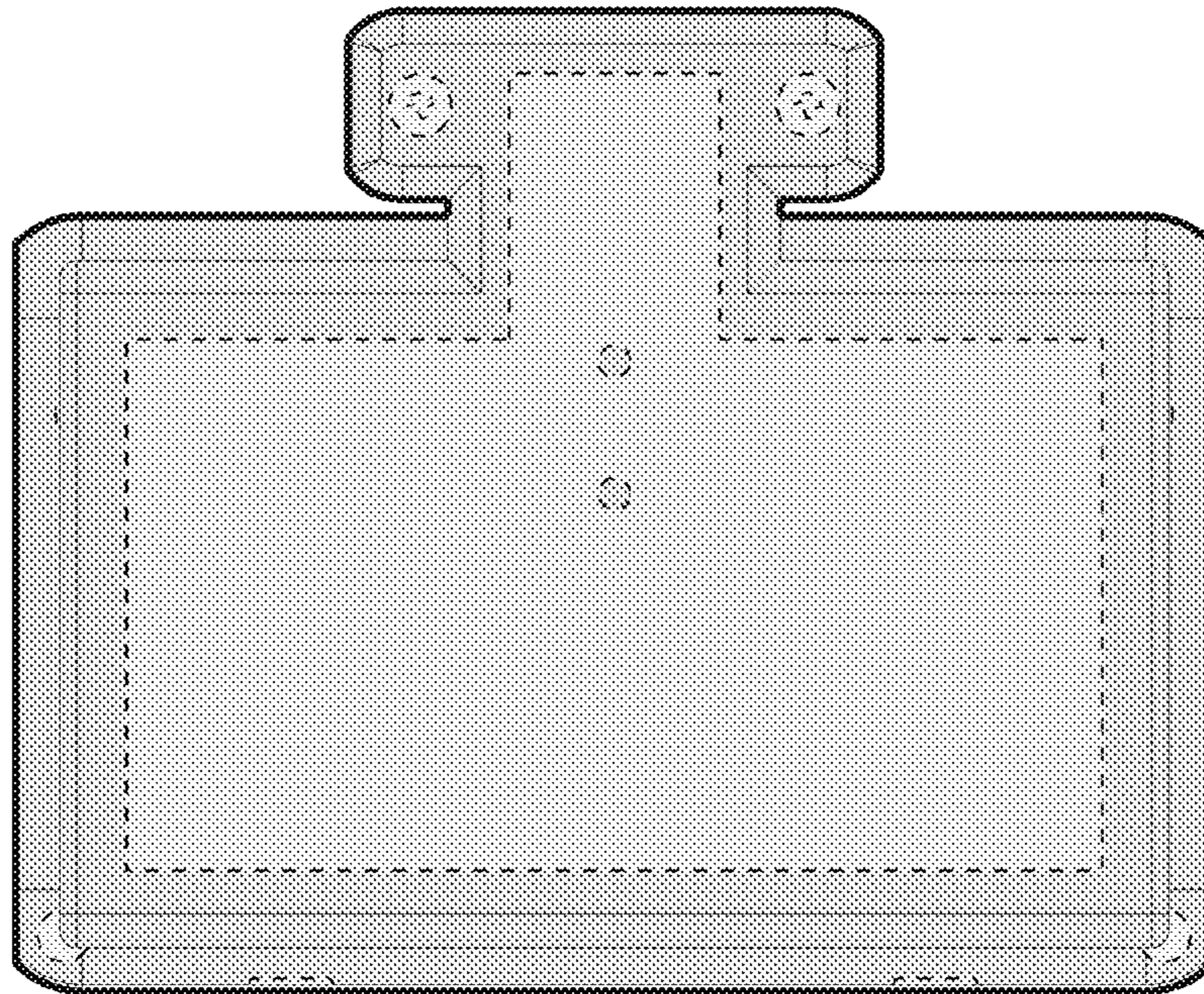


Fig. 6

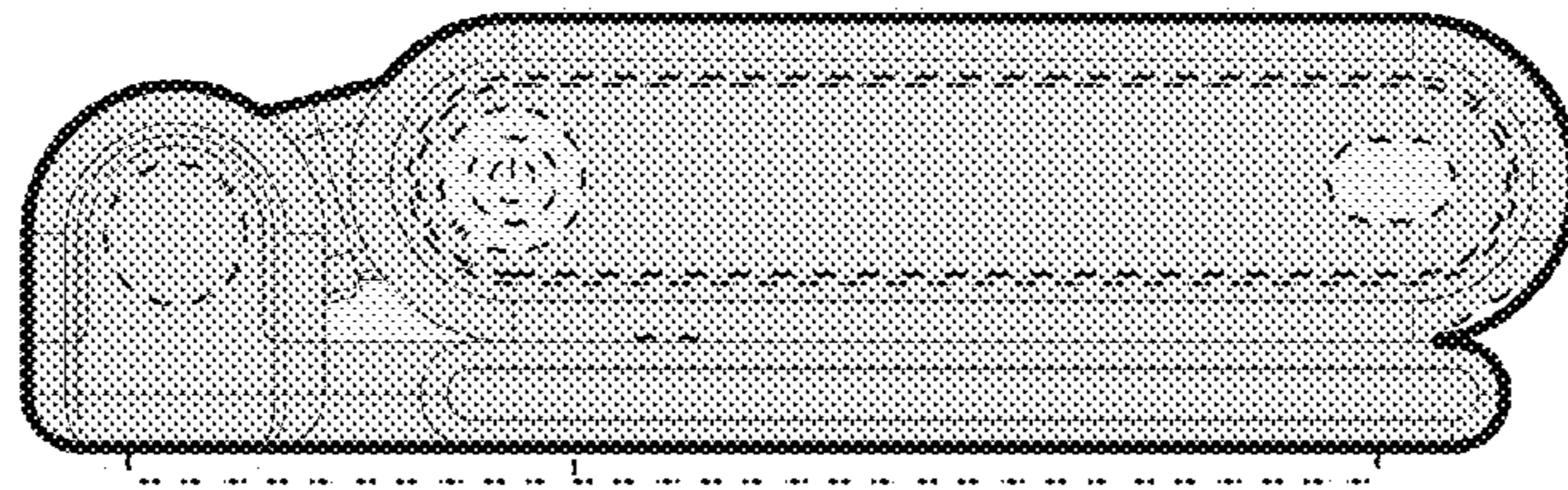


Fig. 7

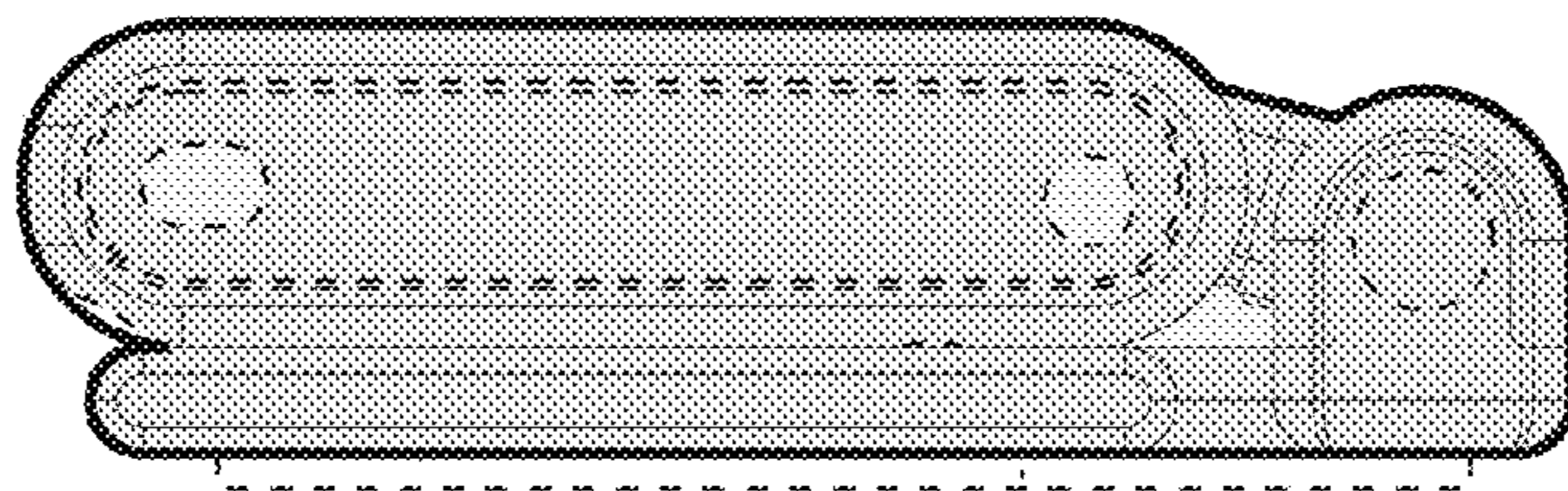


Fig. 8