



US00D725689S

(12) **United States Design Patent**
Vaninger et al.

(10) **Patent No.:** **US D725,689 S**
(45) **Date of Patent:** **** Mar. 31, 2015**

- (54) **TIRE CHANGER MACHINE**
- (71) Applicant: **Hunter Engineering Company**,
Bridgeton, MO (US)
- (72) Inventors: **Micah Vaninger**, Glendale, MO (US);
Charles Polster, Edwardsville, IL (US);
Douglas S. Hanneken, St. Louis, MO
(US)
- (73) Assignee: **Hunter Engineering Company**, St.
Louis, MO (US)

8,333,228	B1 *	12/2012	Cunningham	157/1
8,387,675	B1 *	3/2013	Vaninger et al.	157/1.24
8,613,303	B1 *	12/2013	Hanneken et al.	157/1.17
8,770,254	B1 *	7/2014	Hanneken et al.	157/1.17
8,776,858	B2 *	7/2014	Corghi	157/1.1
8,783,326	B1 *	7/2014	Vaninger et al.	157/1.24
8,943,880	*	2/2015	Vignoli	73/146

* cited by examiner

Primary Examiner — Patricia Palasik

(74) *Attorney, Agent, or Firm* — Armstrong Teasdale LLP

(**) Term: **14 Years**

(21) Appl. No.: **29/468,804**

(22) Filed: **Oct. 3, 2013**

(51) **LOC (10) Cl.** **15-99**

(52) **U.S. Cl.**
USPC **D15/199**

(58) **Field of Classification Search**
USPC D8/343; D15/122, 123, 138, 141, 199
See application file for complete search history.

(56) **References Cited**

U.S. PATENT DOCUMENTS

6,056,034	A *	5/2000	Matnick	157/1.24
6,422,285	B1 *	7/2002	Gonzaga	157/1.24
6,886,619	B2 *	5/2005	Gonzaga	157/1.28
7,089,987	B2 *	8/2006	Gonzaga	157/14
7,404,427	B2 *	7/2008	Hillman et al.	157/1
7,438,109	B2 *	10/2008	Cunningham	157/1.24

(57) **CLAIM**

We claim the ornamental design for a tire changer machine, as substantially shown and described.

DESCRIPTION

FIG. 1 is a perspective view of a tire changer machine in accordance with the present design.

FIG. 2 is a front elevational view of the tire changer machine shown in FIG. 1.

FIG. 3 is a rear elevational view of the tire changer machine shown in FIG. 1.

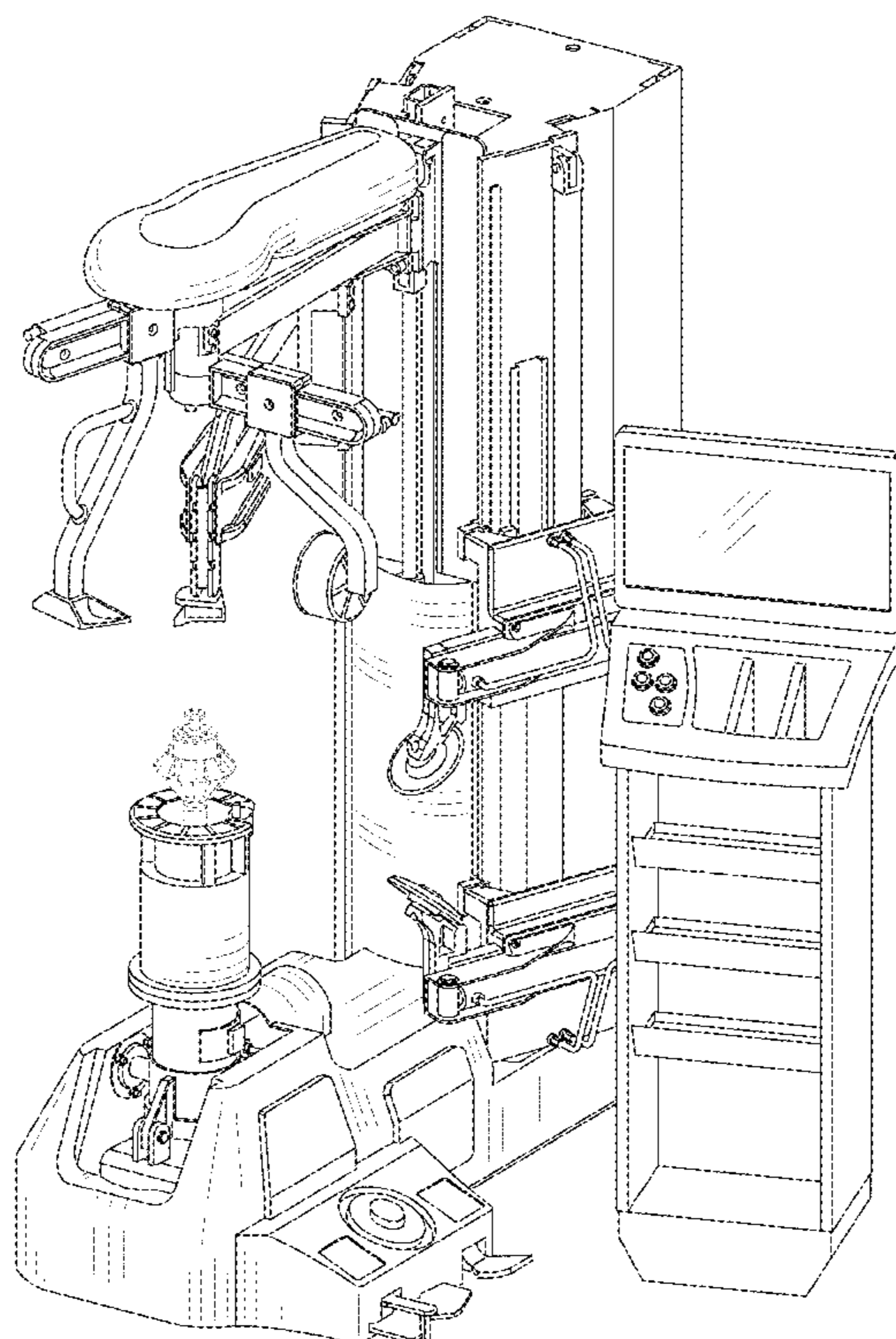
FIG. 4 is a right side elevational view of the tire changer machine shown in FIG. 1.

FIG. 5 is a left side elevational view of the tire changer machine shown in FIG. 1; and,

FIG. 6 is a top plan view of the tire changer machine shown in FIG. 1.

The broken lines in the drawings depict unclaimed environmental subject matter.

1 Claim, 6 Drawing Sheets



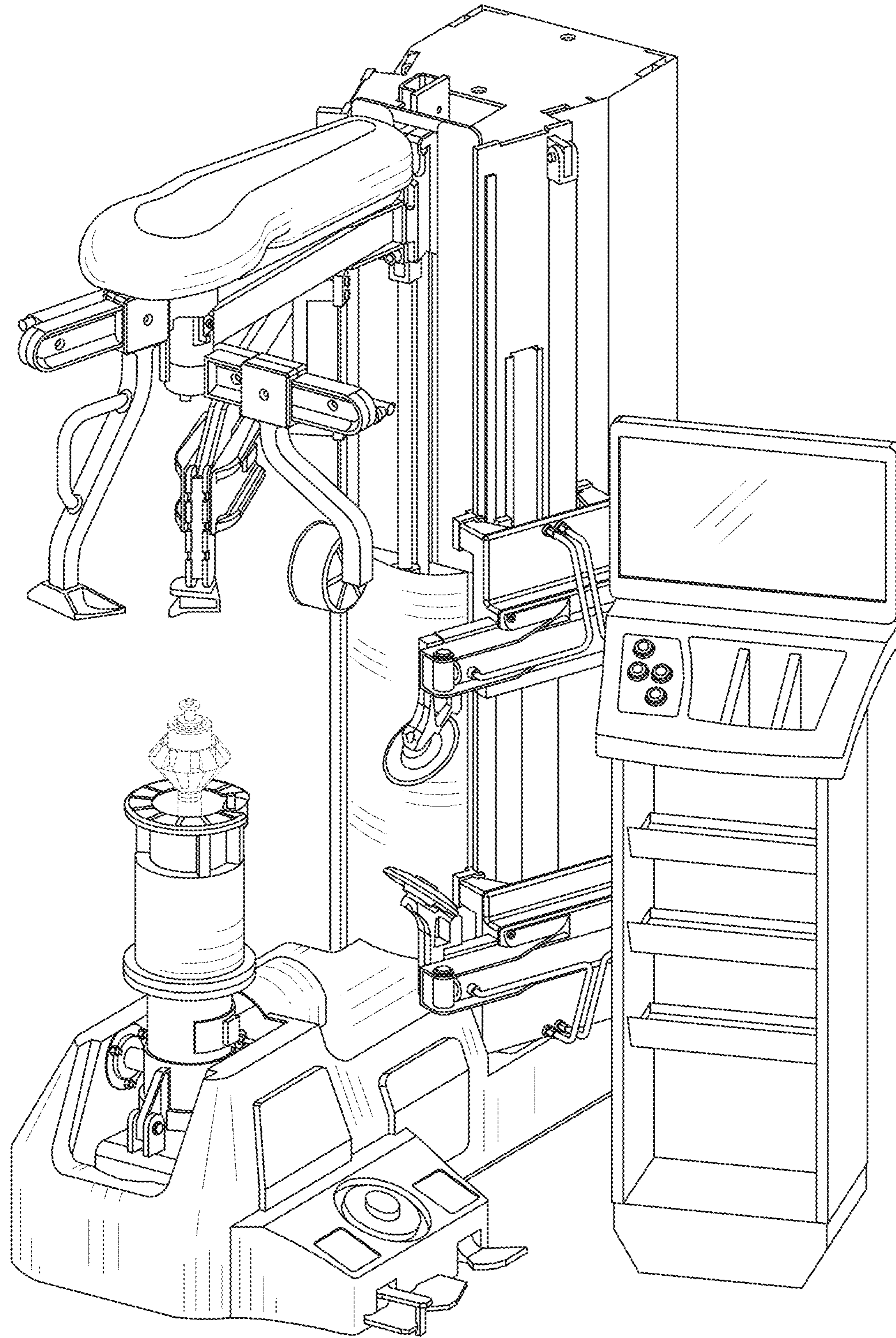


FIG. 1

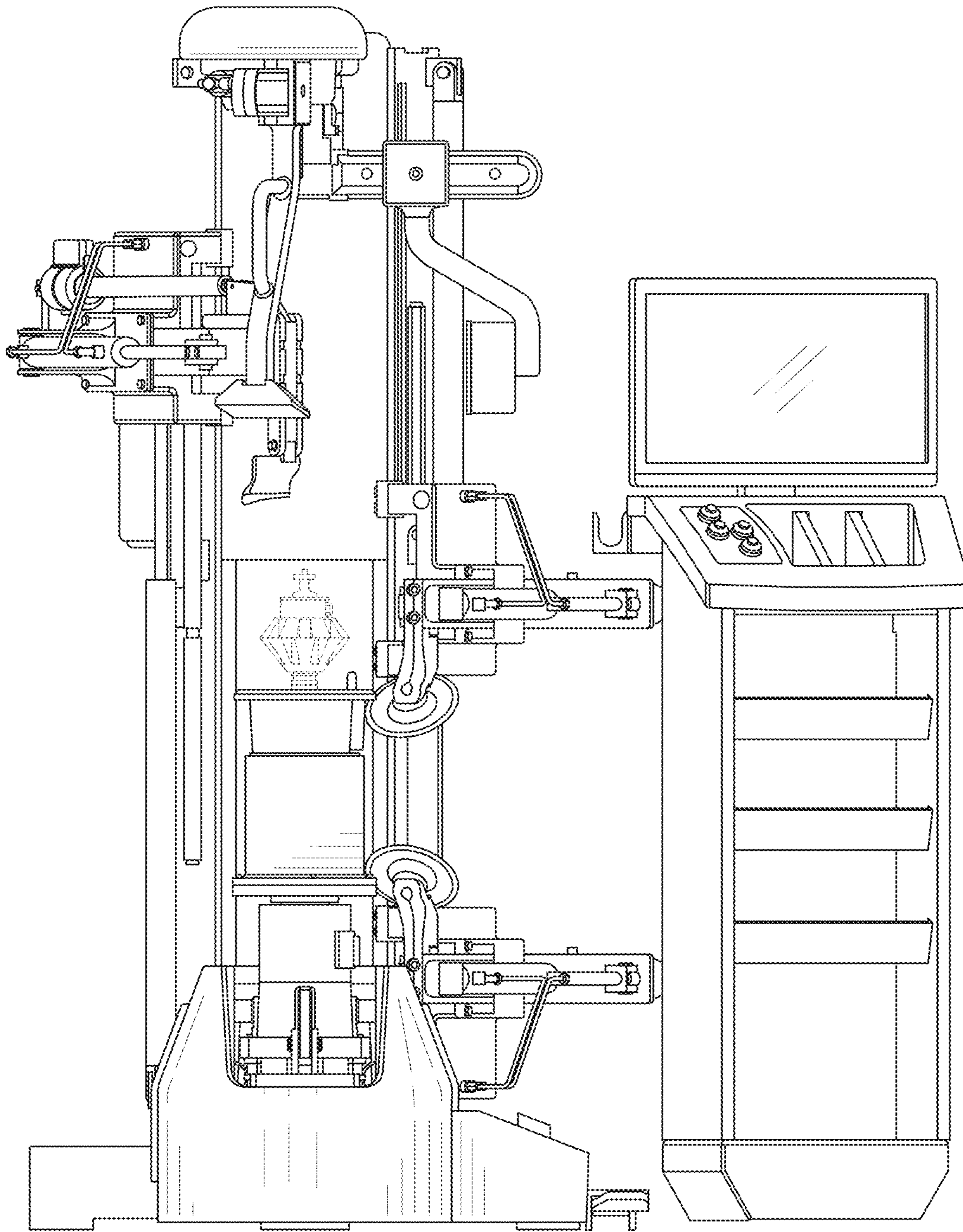


FIG. 2

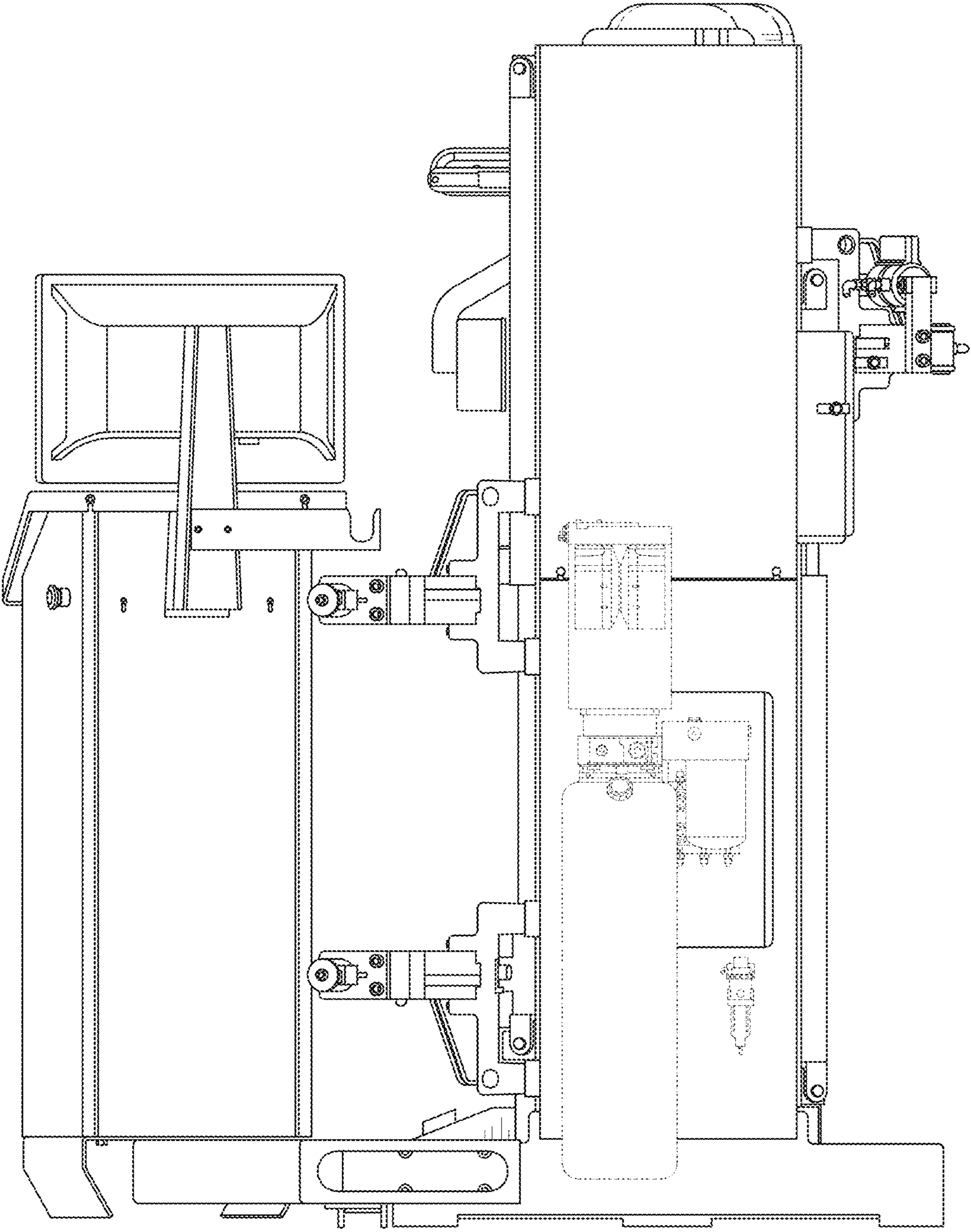


FIG. 3

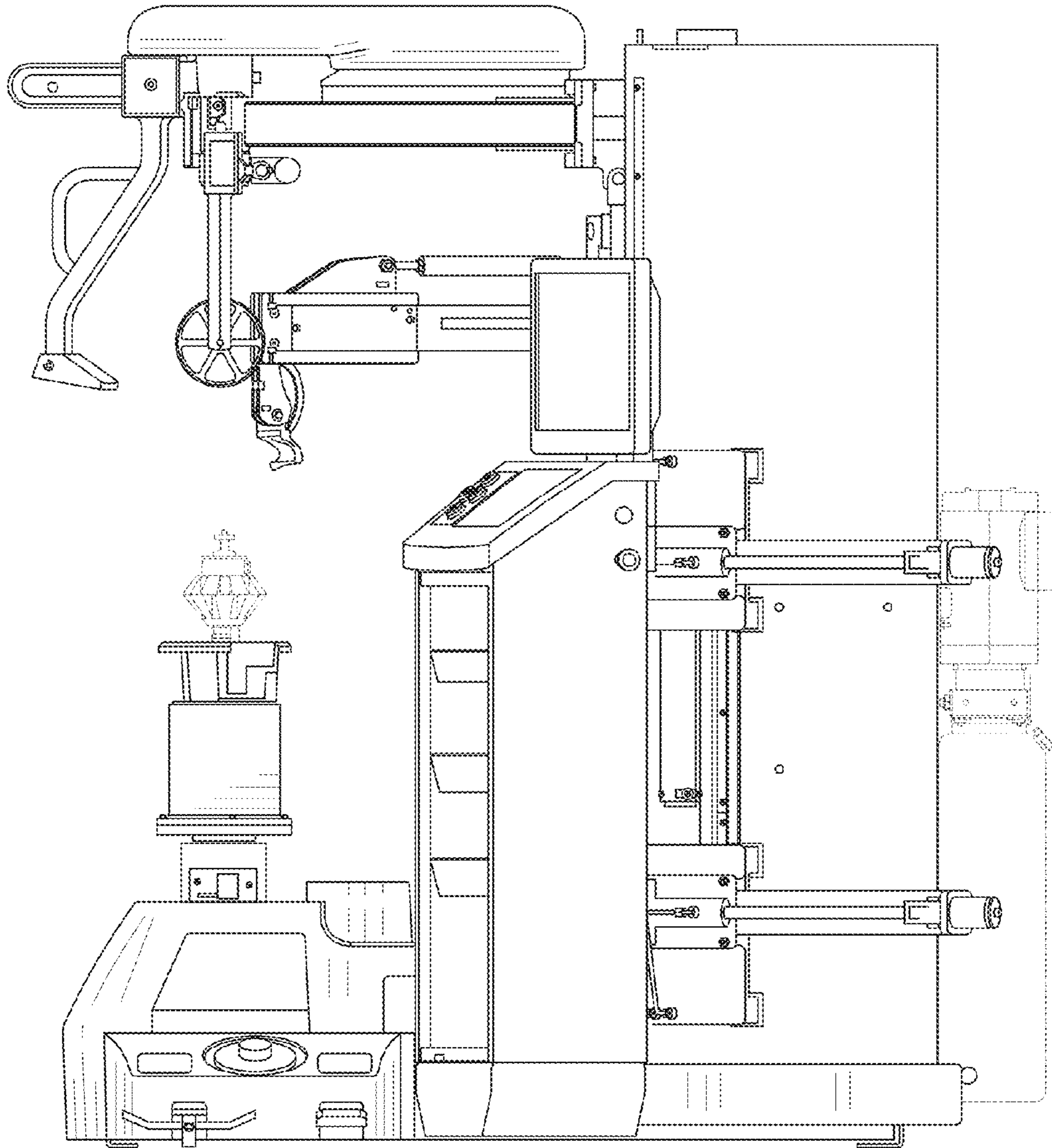


FIG. 4

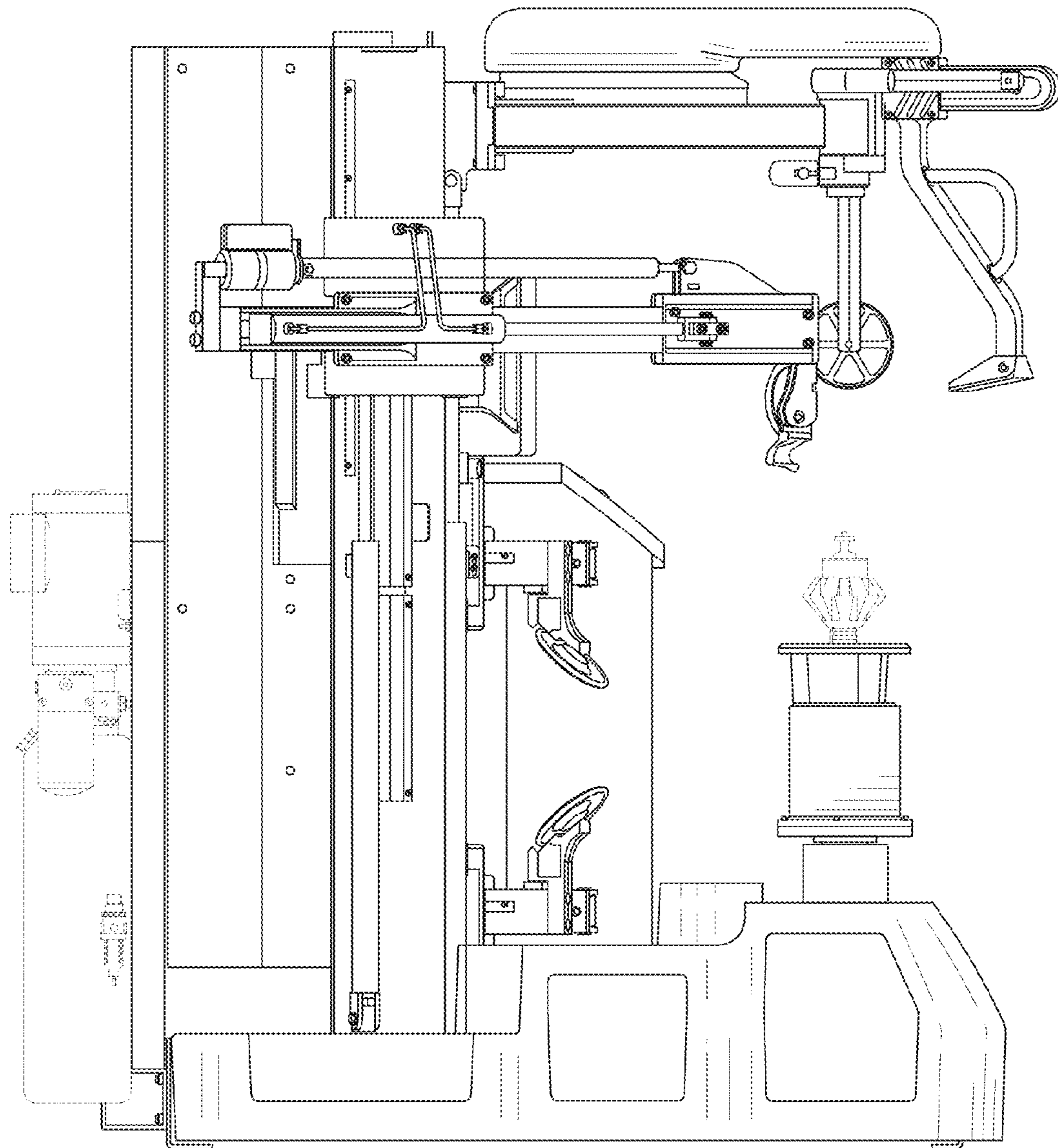


FIG. 5

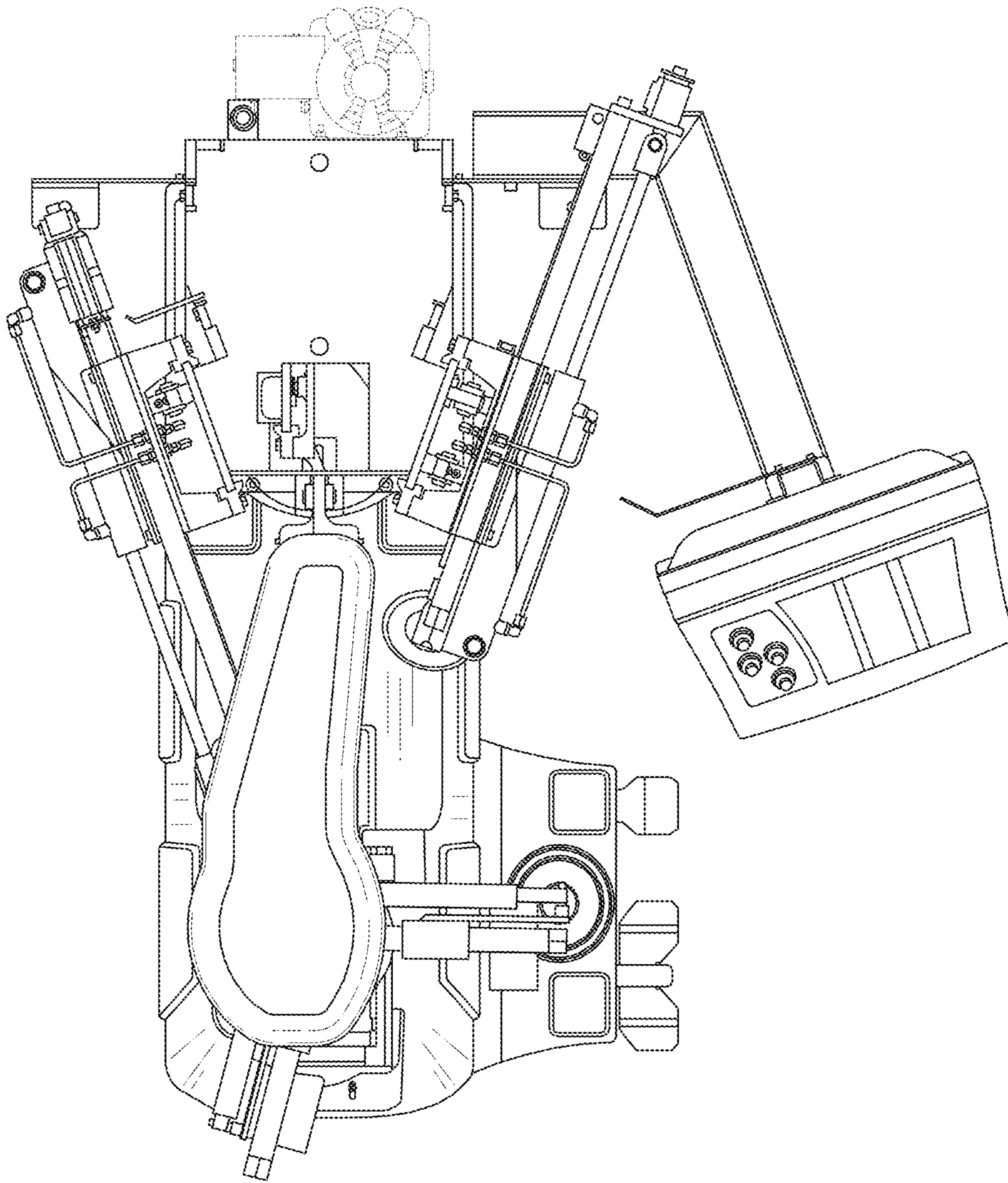


FIG. 6