



US00D725686S

(12) **United States Design Patent**
Cho et al.

(10) **Patent No.:** **US D725,686 S**
(45) **Date of Patent:** **** Mar. 31, 2015**

(54) **REFRIGERATOR**

(71) Applicant: **LG Electronics Inc.**, Seoul (KR)
(72) Inventors: **Kyeongchul Cho**, Gyeonggi-do (KR);
Jinwon Kang, Gyeonggi-do (KR);
Hyun Choi, Gyeonggi-do (KR);
Sangwoog Cho, Gyeonggi-do (KR)
(73) Assignee: **LG Electronics Inc.**, Seoul (KR)

(**) Term: **14 Years**

(21) Appl. No.: **29/486,935**

(22) Filed: **Apr. 4, 2014**

(30) **Foreign Application Priority Data**

Oct. 7, 2013 (KR) 30-2013-0050921

(51) **LOC (10) Cl.** **15-07**

(52) **U.S. Cl.**
USPC **D15/85**

(58) **Field of Classification Search**
USPC D15/79-91; 312/114-119, 236, 352,
312/400-408; 62/3.1-3.64, 293, 371, 400,
62/467, 529, 531

See application file for complete search history.

(56) **References Cited**

U.S. PATENT DOCUMENTS

D452,515 S *	12/2001	Kim et al.	D15/87
D486,163 S *	2/2004	Seok et al.	D15/81
D517,573 S *	3/2006	Seok et al.	D15/87
D538,310 S *	3/2007	Avalos Barcenas et al. ...	D15/91
D673,188 S *	12/2012	Seo et al.	D15/85
D677,288 S *	3/2013	Ma et al.	D15/85
D684,199 S *	6/2013	Jeon	D15/86

* cited by examiner

Primary Examiner — Stella Reid

Assistant Examiner — Khawaja Anwar

(74) *Attorney, Agent, or Firm* — Morgan, Lewis & Bockius LLP

(57) **CLAIM**

The ornamental design for a refrigerator, as shown and described.

DESCRIPTION

FIG. 1 is a front, right side, perspective view of a refrigerator showing our new design;
FIG. 2 is a front view thereof;
FIG. 3 is a rear view thereof;
FIG. 4 is a left side view thereof;
FIG. 5 is a right side view thereof;
FIG. 6 is a top view thereof; and,
FIG. 7 is a bottom view thereof.

1 Claim, 6 Drawing Sheets

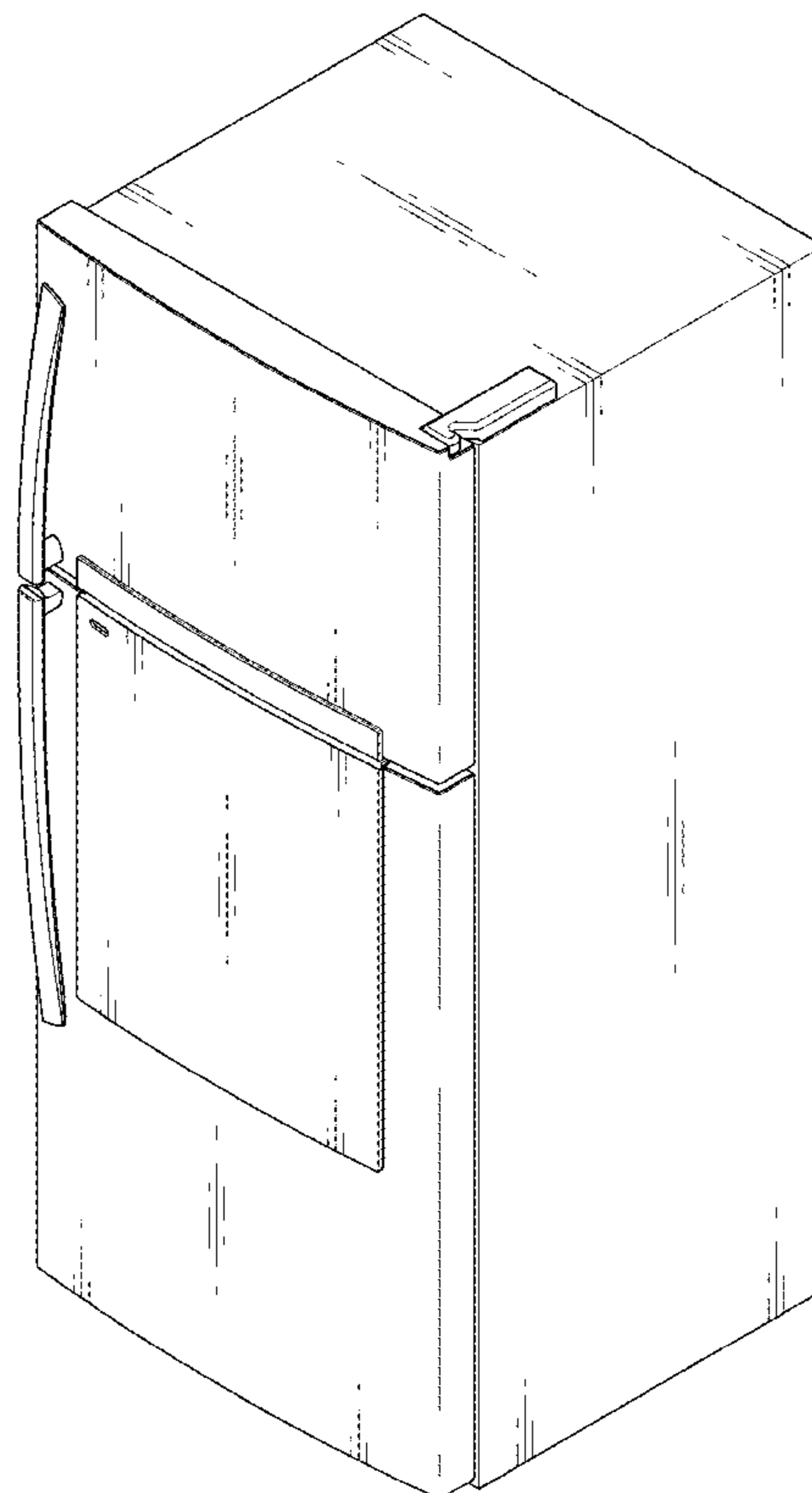


FIG. 1

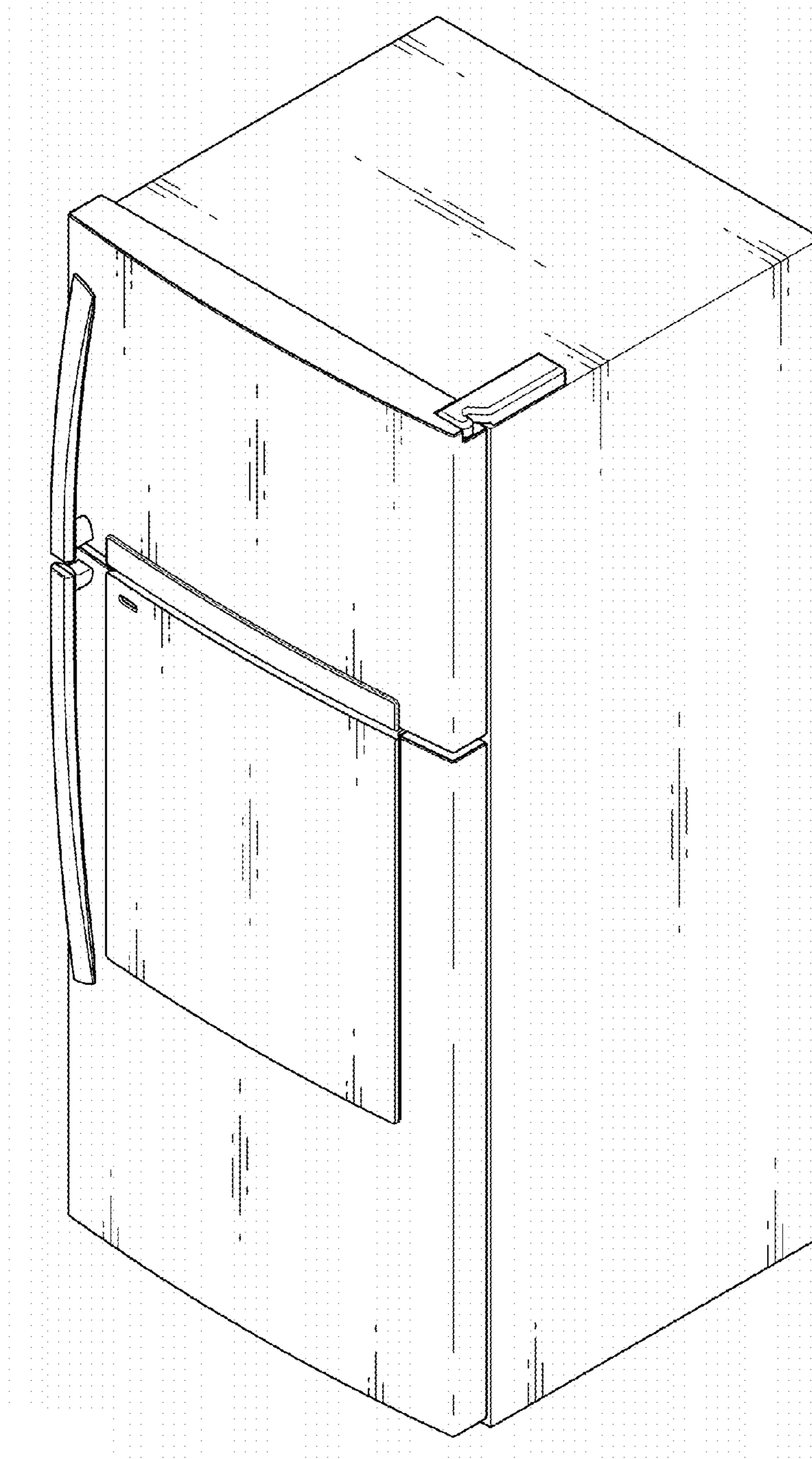


FIG. 2

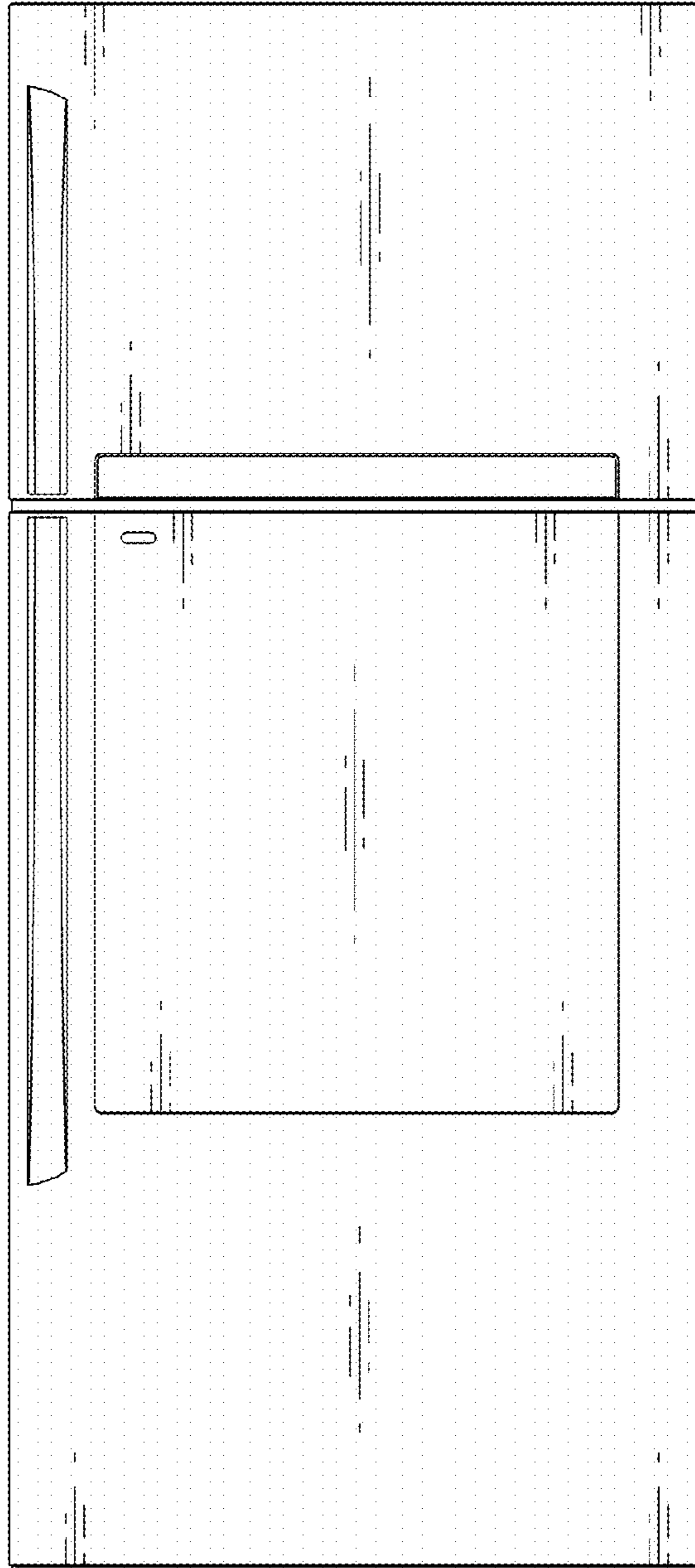


FIG. 3

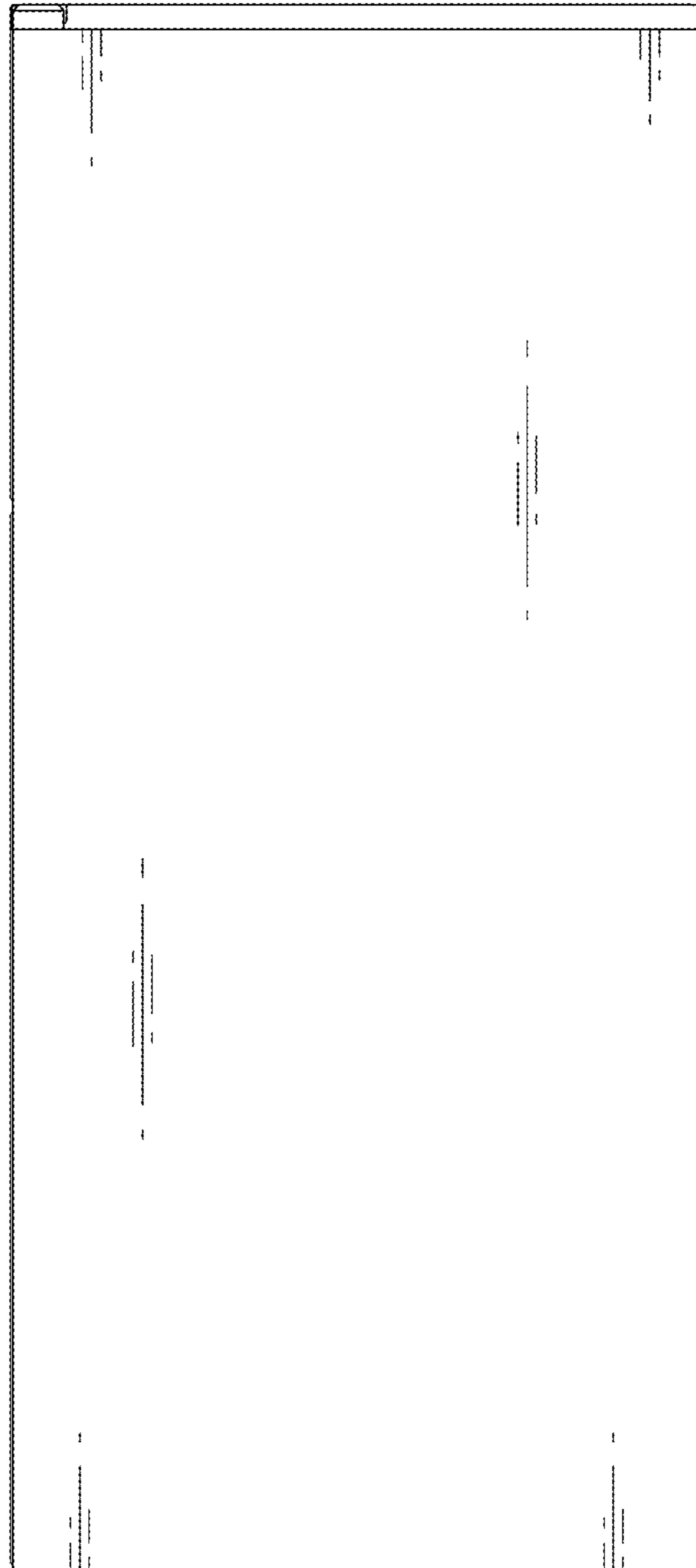


FIG. 4

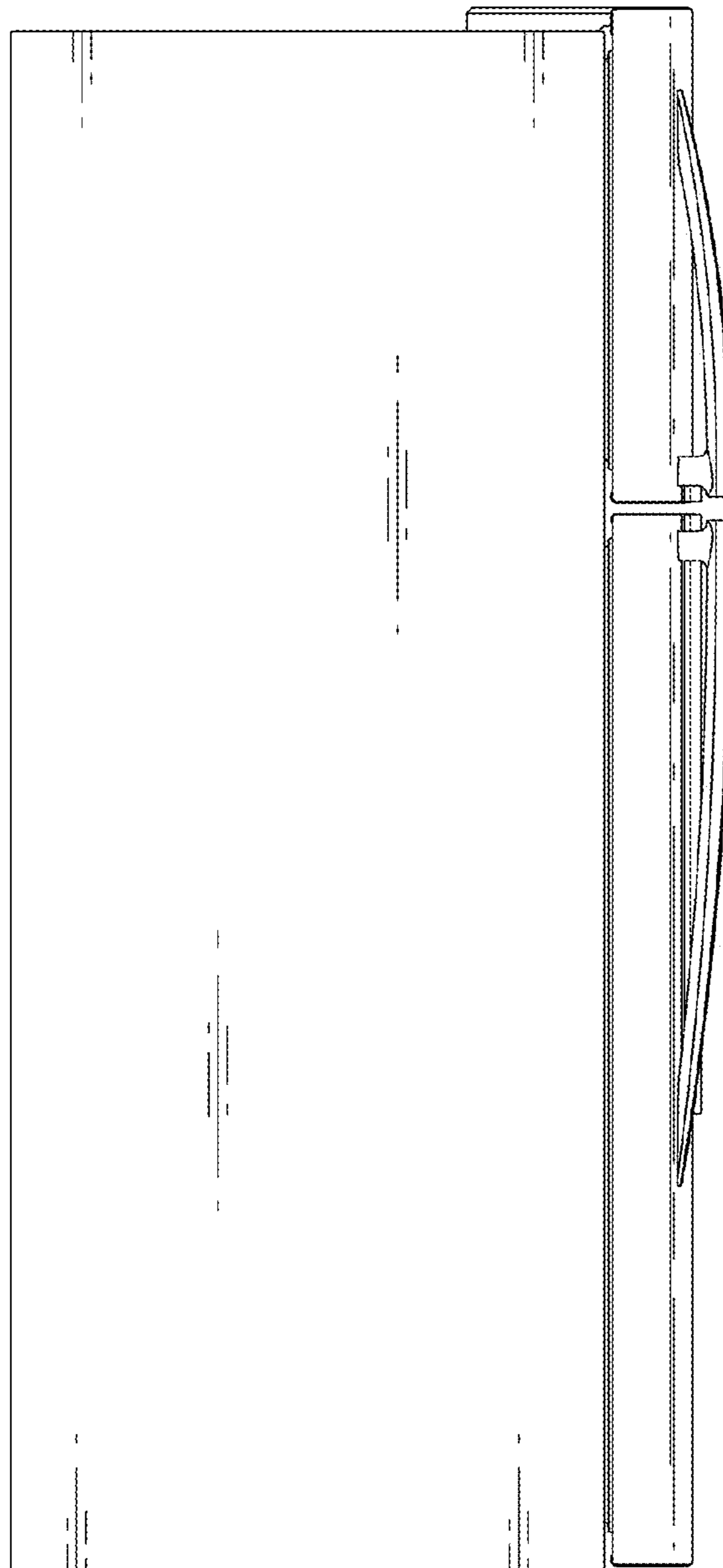


FIG. 5

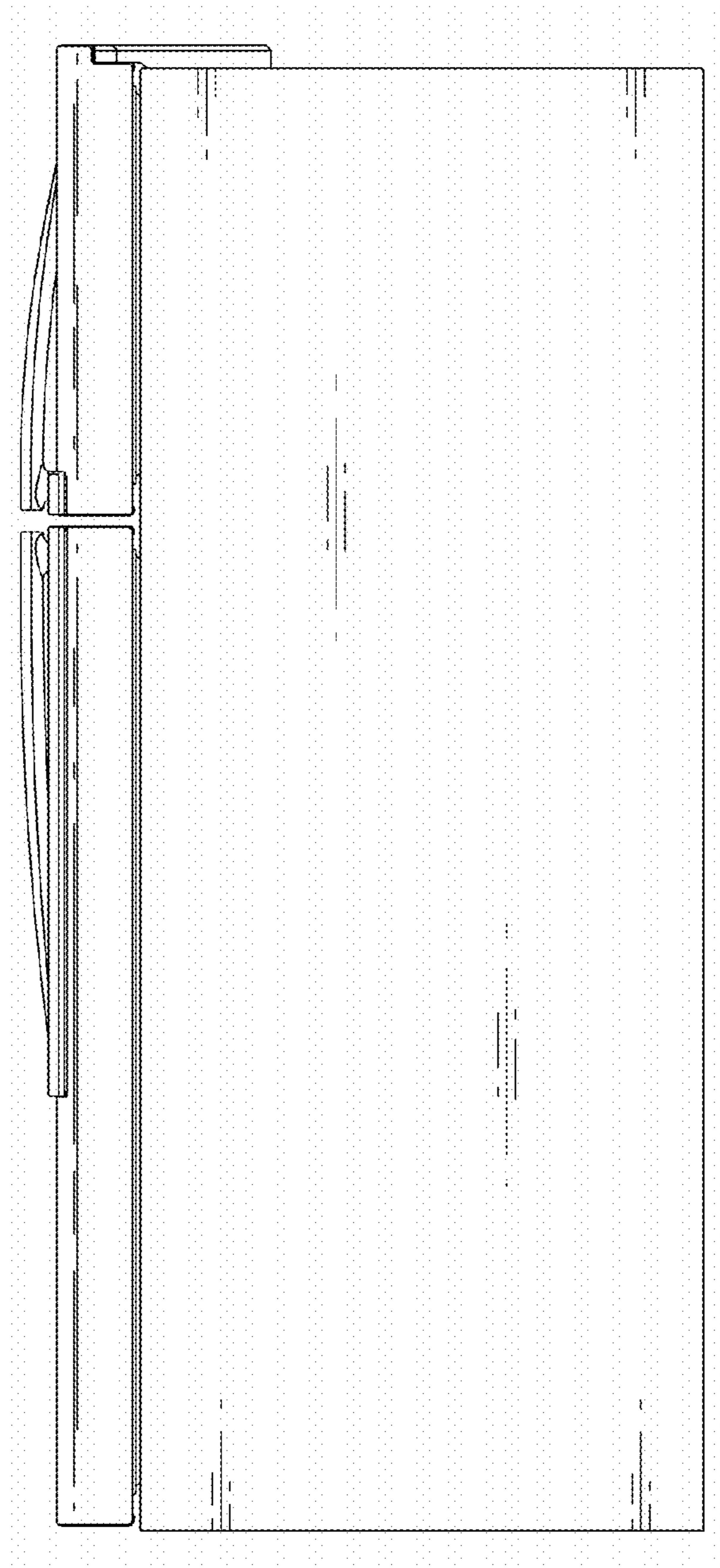


FIG. 6

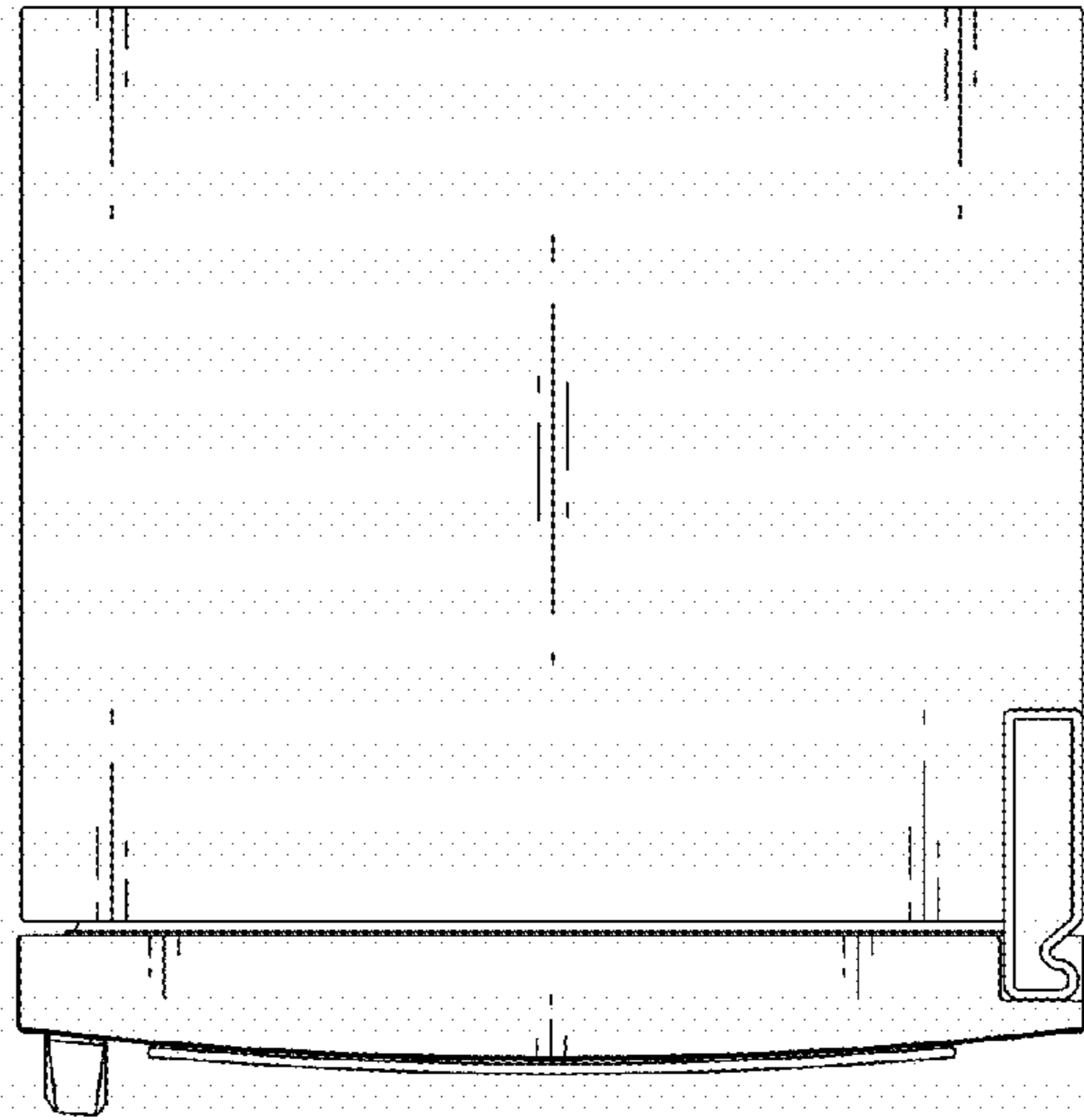


FIG. 7

