



US00D725685S

(12) **United States Design Patent**
Muto

(10) **Patent No.:** **US D725,685 S**

(45) **Date of Patent:** **** Mar. 31, 2015**

(54) **SEWING MACHINE**

(71) Applicant: **Janome Sewing Machine Company Limited**, Hachioji-Shi, Tokyo (JP)

(72) Inventor: **Hideki Muto**, Hachioji (JP)

(73) Assignee: **Janome Sewing Machine Co., Ltd.**, Tokyo (JP)

(**) Term: **14 Years**

(21) Appl. No.: **29/470,894**

(22) Filed: **Oct. 25, 2013**

(30) **Foreign Application Priority Data**

Apr. 25, 2013 (JP) 2013-009302

(51) **LOC (10) Cl.** **15-06**

(52) **U.S. Cl.**
USPC **D15/69**

(58) **Field of Classification Search**
USPC D15/66-78; 112/217.1-217.4,
112/255-261, 475.01
See application file for complete search history.

(56) **References Cited**

U.S. PATENT DOCUMENTS

D430,886 S * 9/2000 Yamamoto D15/69
D450,720 S * 11/2001 Kuroki D15/69

D578,553 S * 10/2008 Inada D15/69
D594,481 S * 6/2009 Inada D15/69
D628,605 S * 12/2010 Mutoh D15/69
D671,567 S * 11/2012 Muto D15/69
D687,869 S * 8/2013 Hattori D15/69
D687,870 S * 8/2013 Hattori D15/69

* cited by examiner

Primary Examiner — Stella Reid

Assistant Examiner — Khawaja Anwar

(74) *Attorney, Agent, or Firm* — Westerman, Hattori, Daniels & Adrian, LLP

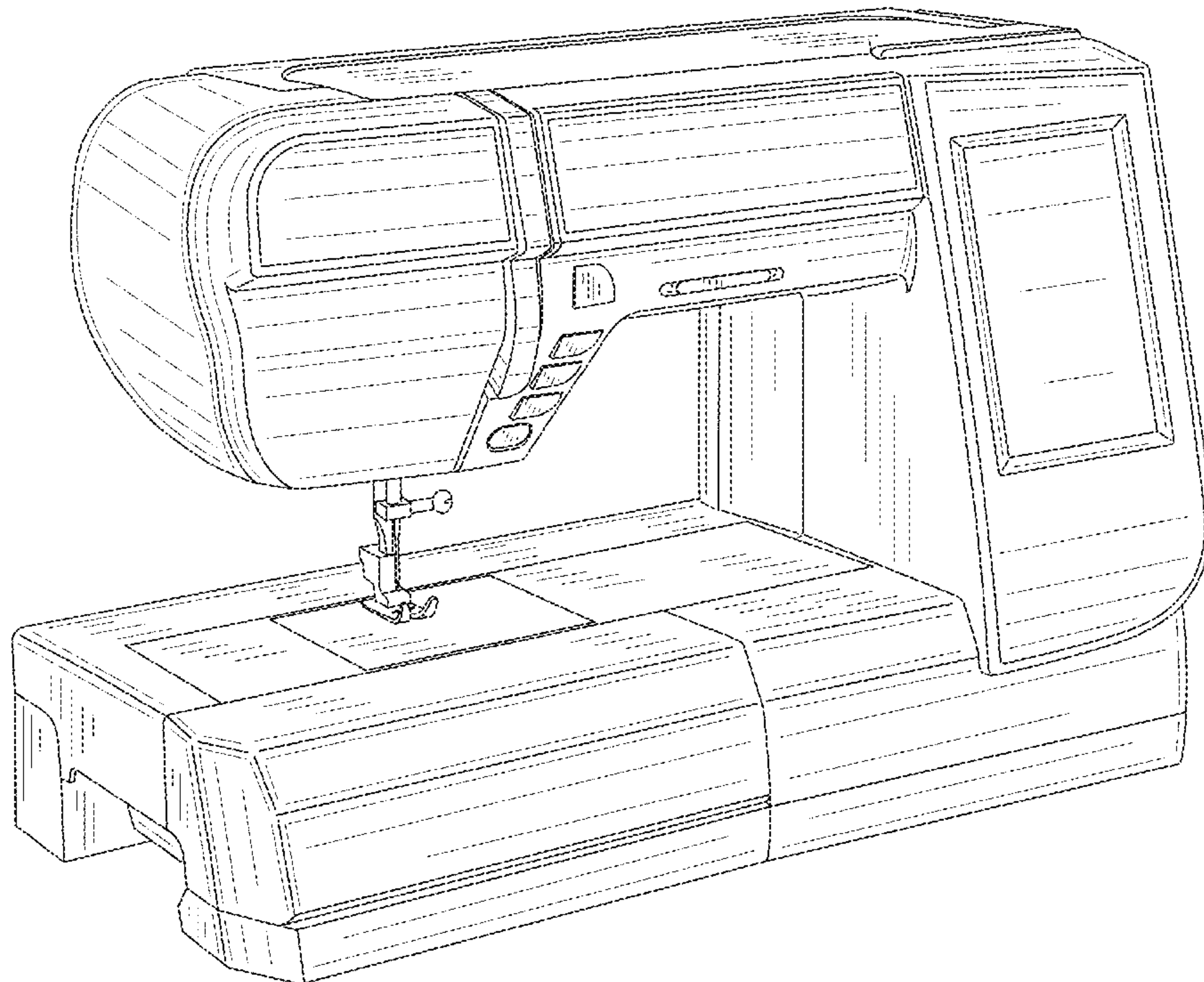
(57) **CLAIM**

The ornamental design for a sewing machine, as shown and described.

DESCRIPTION

FIG. 1 is a front perspective view of a sewing machine, showing my new design;
FIG. 2 is a front elevational view thereof;
FIG. 3 is a rear elevational view thereof;
FIG. 4 is a left side elevational view thereof;
FIG. 5 is a right side elevational view thereof;
FIG. 6 is a top plan view thereof; and,
FIG. 7 is a bottom plan view thereof.
The broken lines in the drawings are included to show unclaimed subject matter only and form no part of the claimed design.

1 Claim, 7 Drawing Sheets



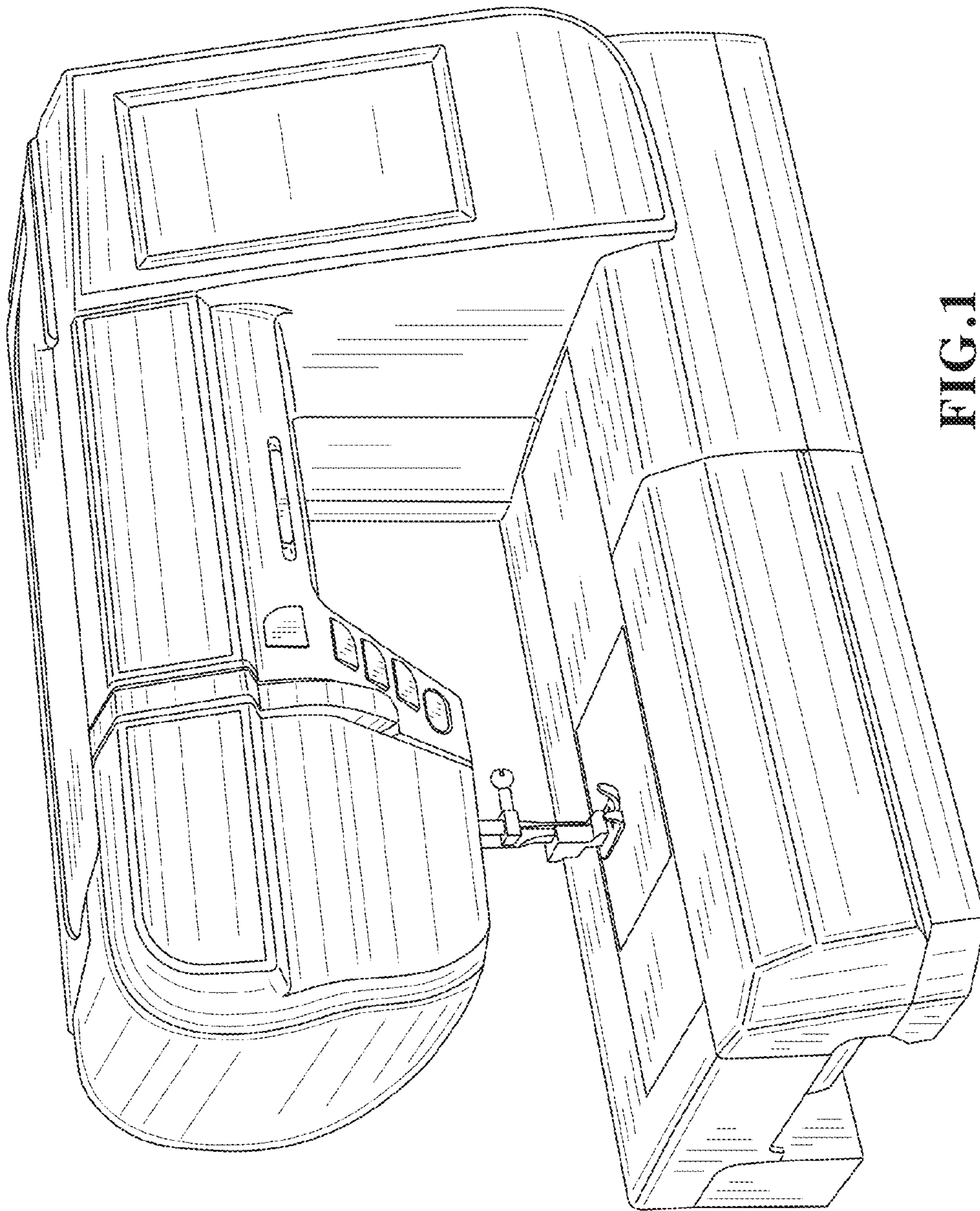


FIG.1

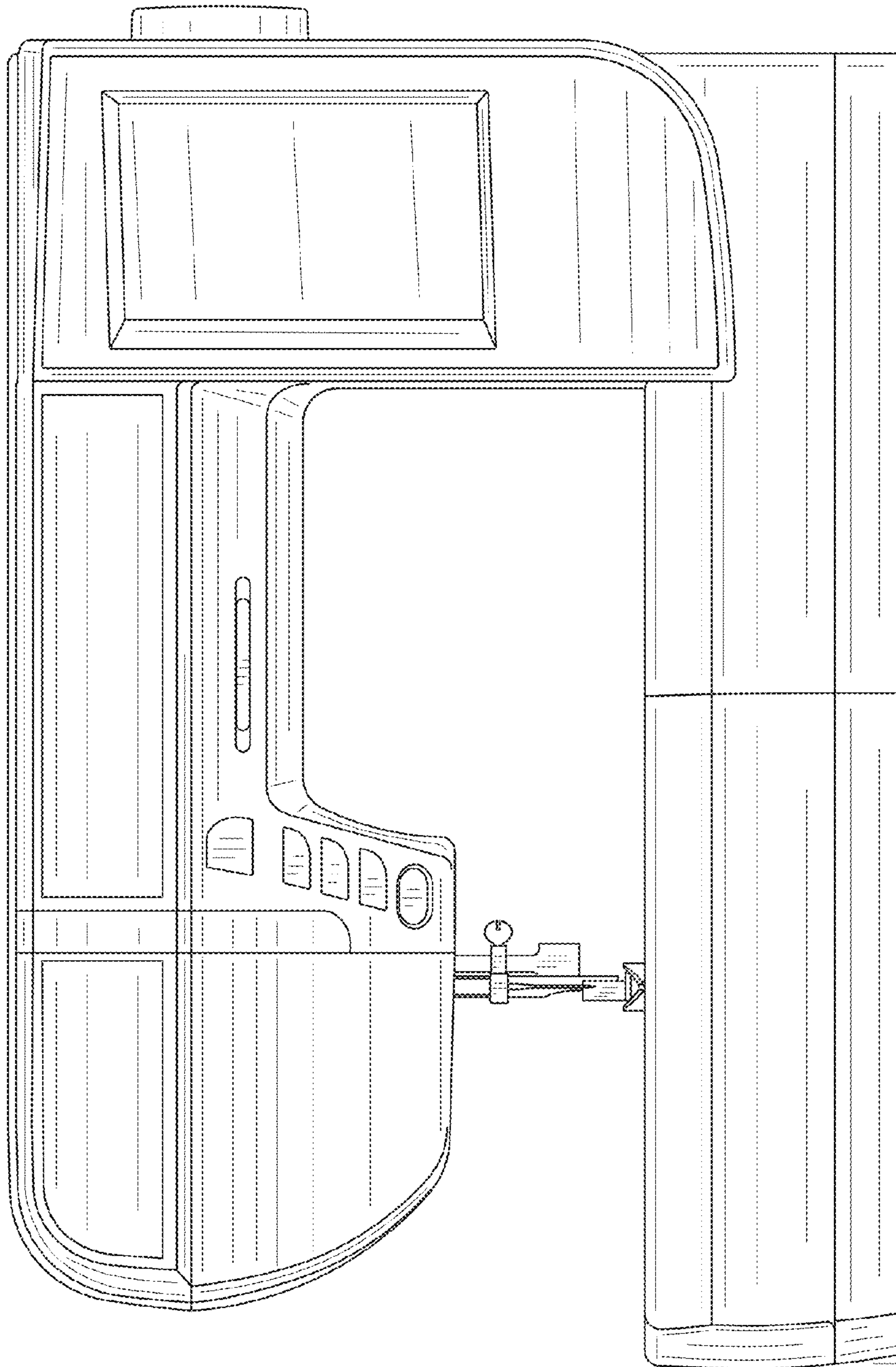


FIG.2

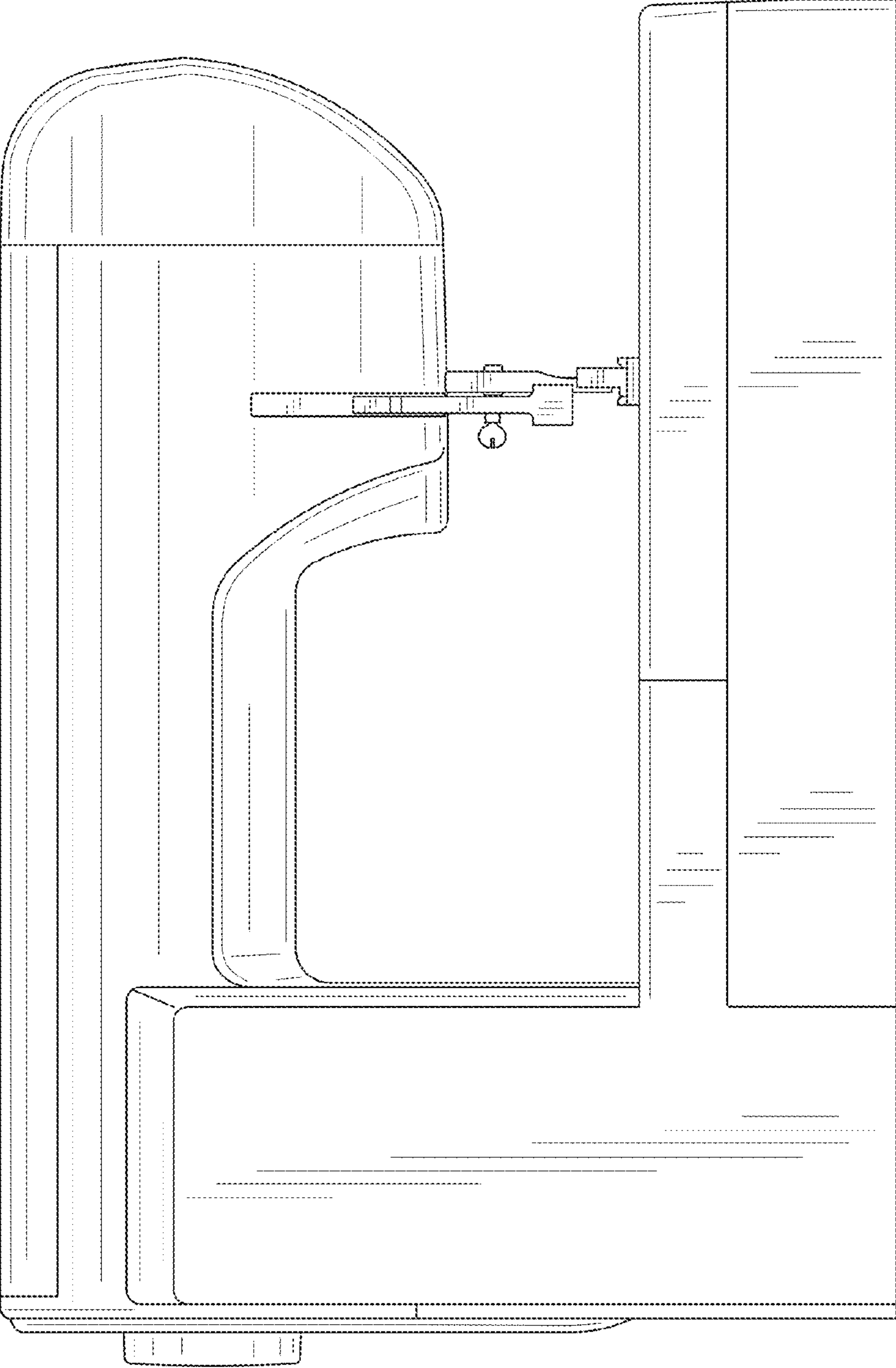


FIG. 3

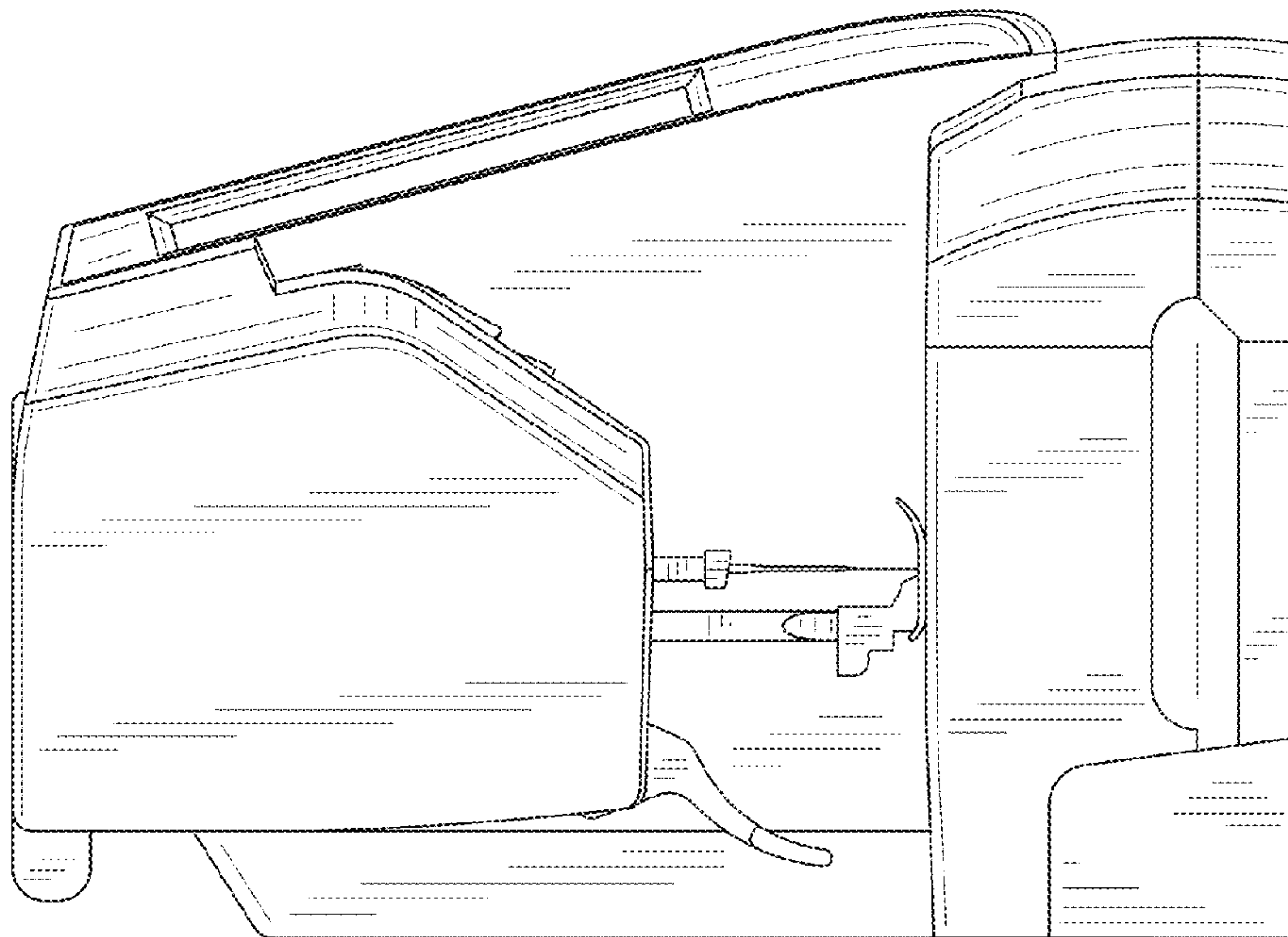


FIG.4

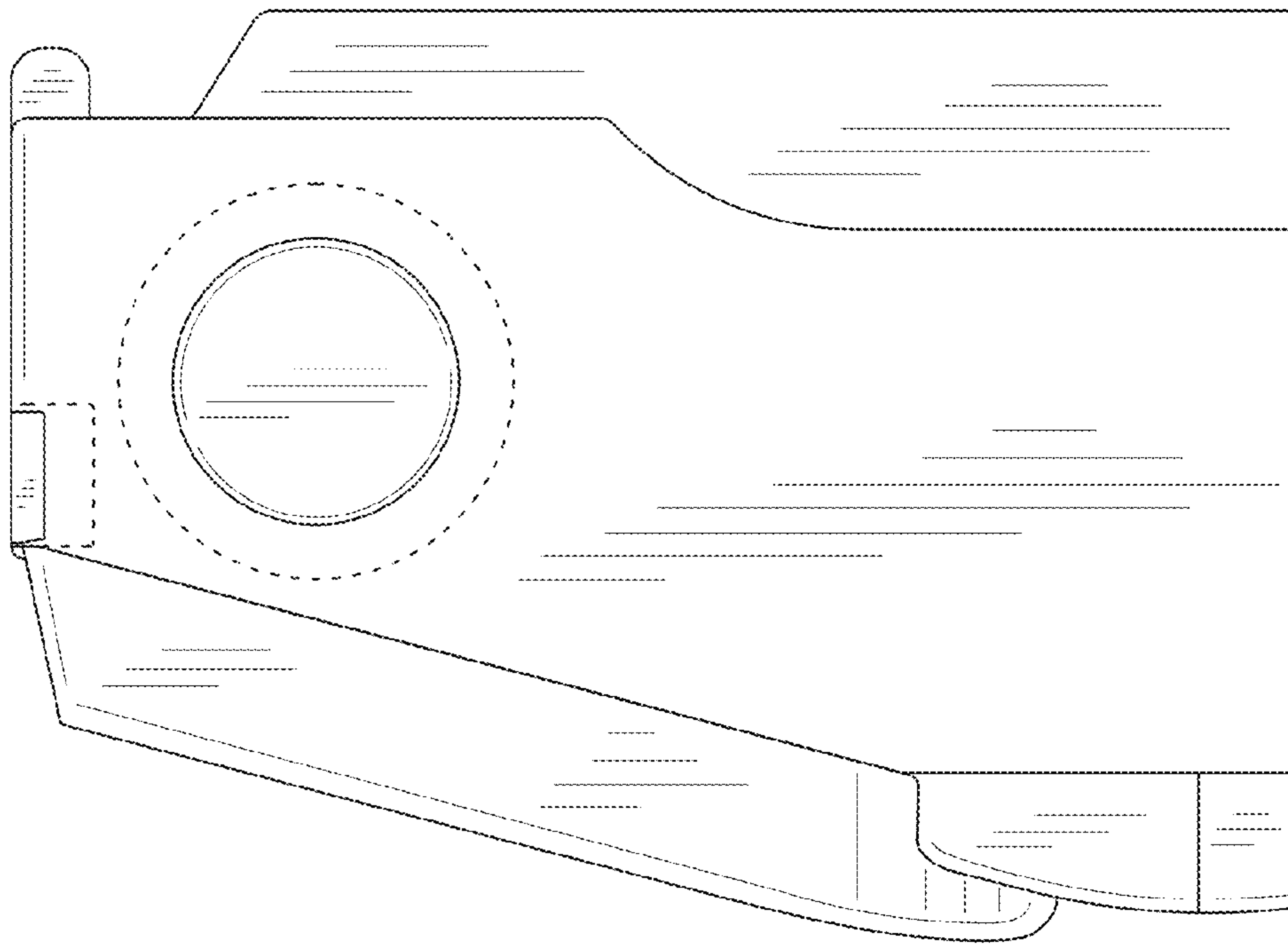


FIG. 5

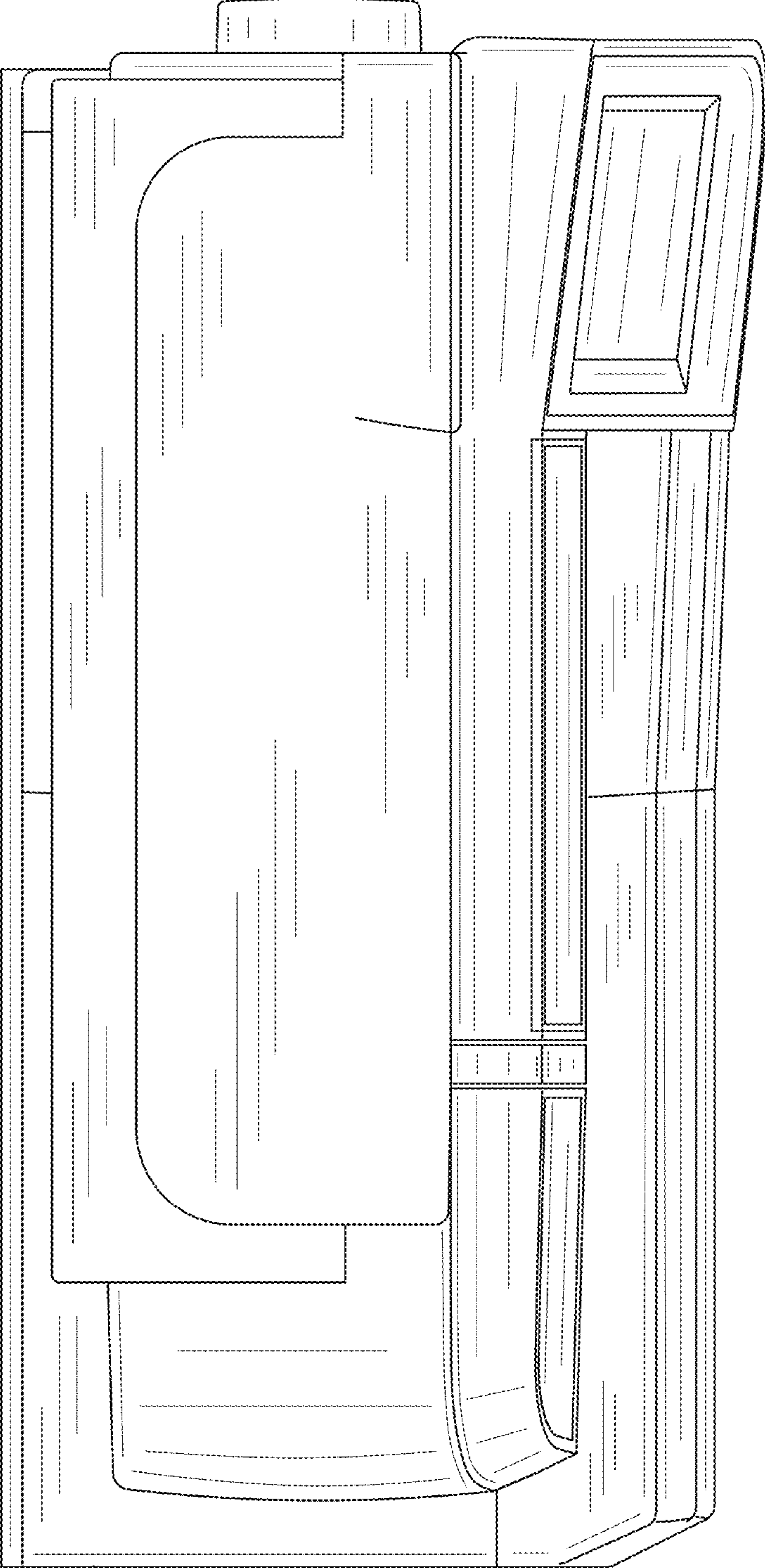


FIG. 6

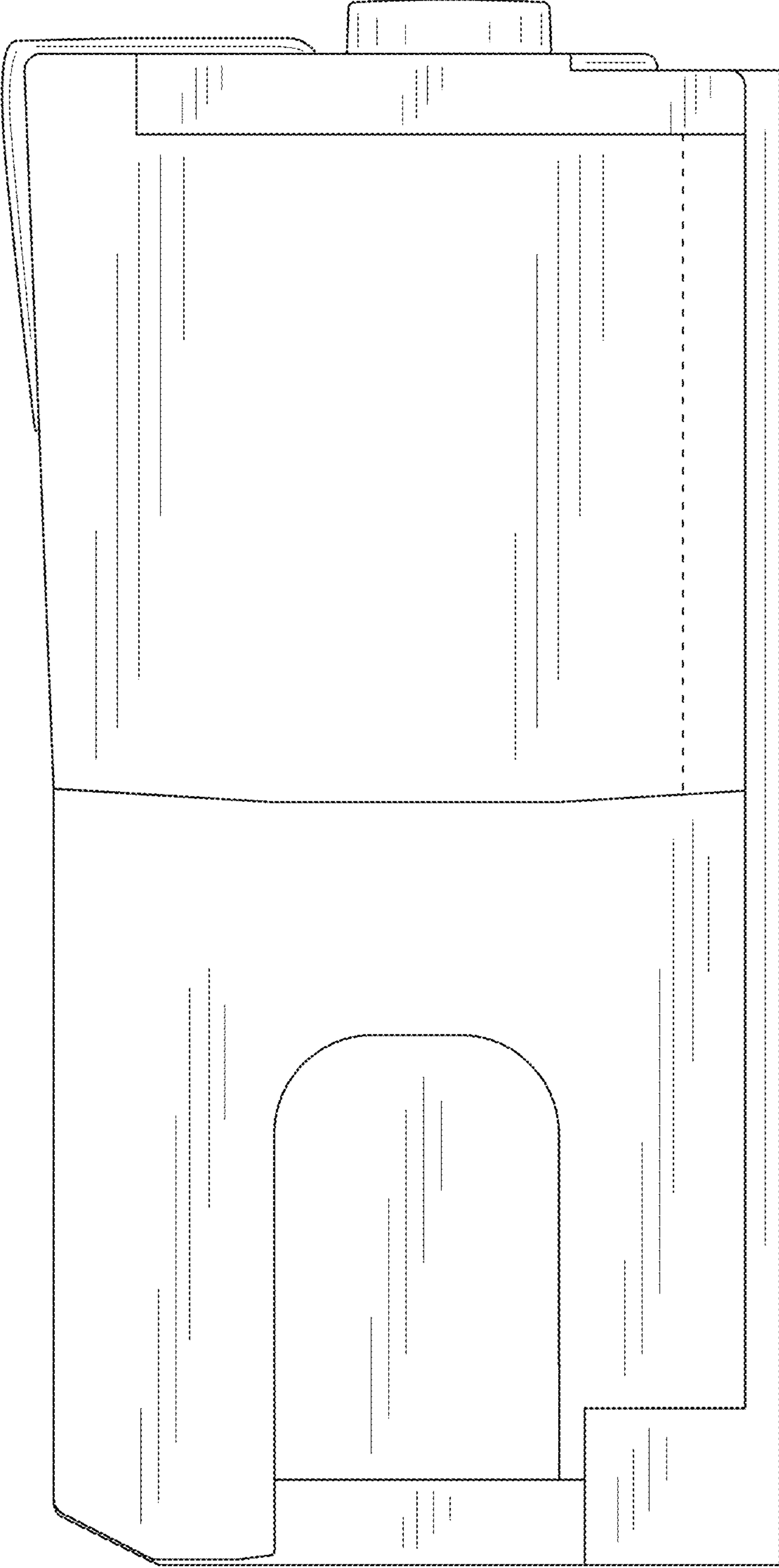


FIG. 7