



US00D725684S

(12) **United States Design Patent**
Muto

(10) **Patent No.:** **US D725,684 S**
(45) **Date of Patent:** **** Mar. 31, 2015**

- (54) **SEWING MACHINE**
- (71) Applicant: **Janome Sewing Maching Company Limited**, Tokyo (JP)
- (72) Inventor: **Hideki Muto**, Tokyo (JP)
- (73) Assignee: **Janome Sewing Machine Company Limited**, Tokyo (JP)
- (**) Term: **14 Years**
- (21) Appl. No.: **29/453,392**
- (22) Filed: **Apr. 29, 2013**
- (30) **Foreign Application Priority Data**

- D578,553 S * 10/2008 Inada D15/69
- D594,481 S * 6/2009 Inada D15/69
- D628,605 S * 12/2010 Mutoh D15/69
- D671,567 S * 11/2012 Muto D15/69
- D687,869 S * 8/2013 Hattori D15/69
- D687,870 S * 8/2013 Hattori D15/69

* cited by examiner

Primary Examiner — Stella Reid
Assistant Examiner — Khawaja Anwar
(74) *Attorney, Agent, or Firm* — Westerman, Hattori, Daniels & Adrian, LLP

- Dec. 21, 2012 (JP) 2012-031176
- (51) **LOC (10) Cl.** **15-06**
- (52) **U.S. Cl.**
USPC **D15/69**
- (58) **Field of Classification Search**
USPC D15/66-78; 112/217.1-217.4,
112/255-261, 475.01
See application file for complete search history.

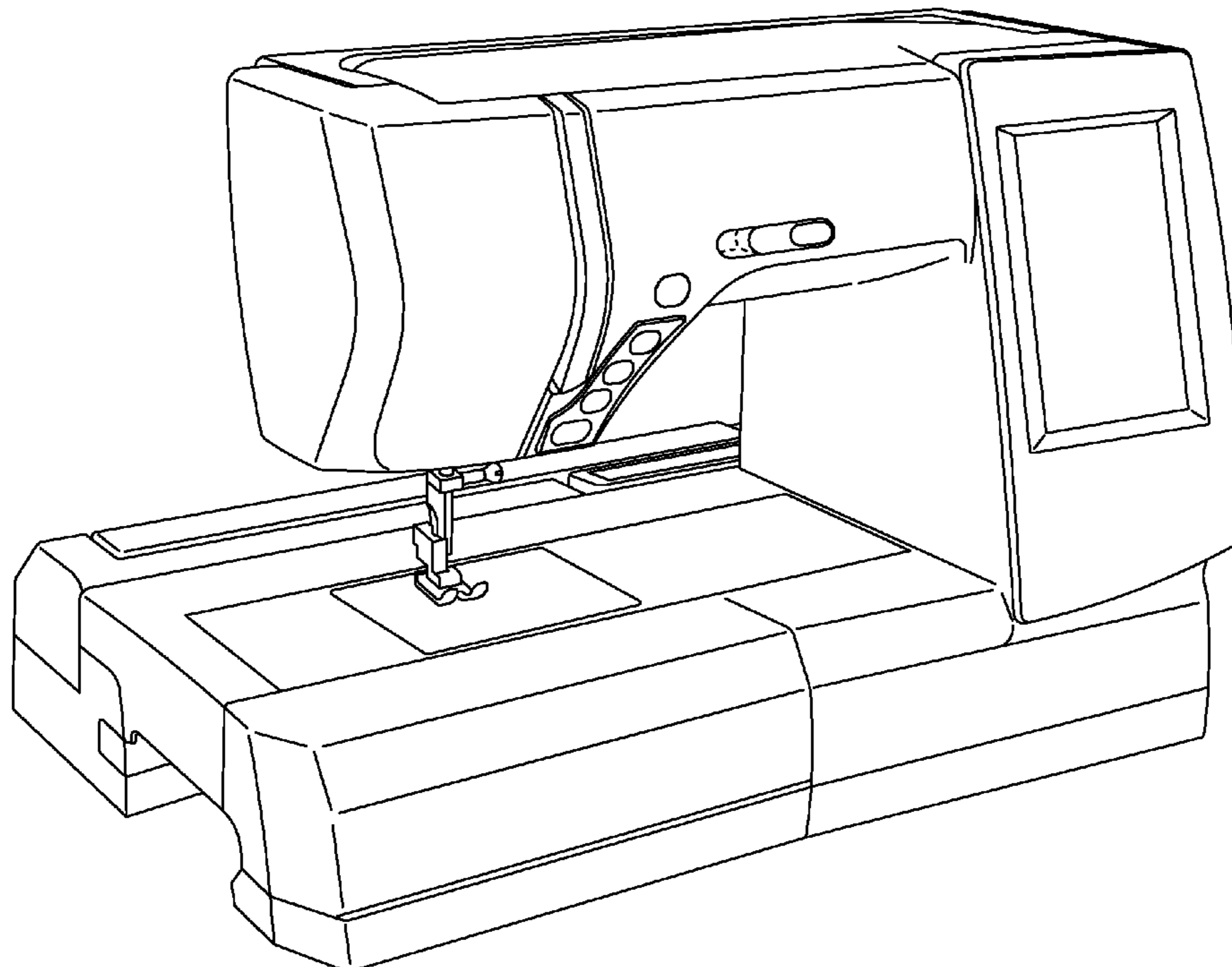
(57) **CLAIM**
The ornamental design for a sewing machine, as shown and described.

DESCRIPTION

FIG. 1 is a front perspective view showing my new design for a sewing machine,
FIG. 2 is a front view thereof,
FIG. 3 is a rear view thereof,
FIG. 4 is a left-side view thereof,
FIG. 5 is a right-side view thereof,
FIG. 6 is a top view thereof; and,
FIG. 7 is a bottom view thereof.
The broken lines in the drawings are included to show unclaimed subject matter only and form no part of the claimed design.

- (56) **References Cited**
U.S. PATENT DOCUMENTS
D430,886 S * 9/2000 Yamamoto D15/69
D450,720 S * 11/2001 Kuroki D15/69

1 Claim, 7 Drawing Sheets



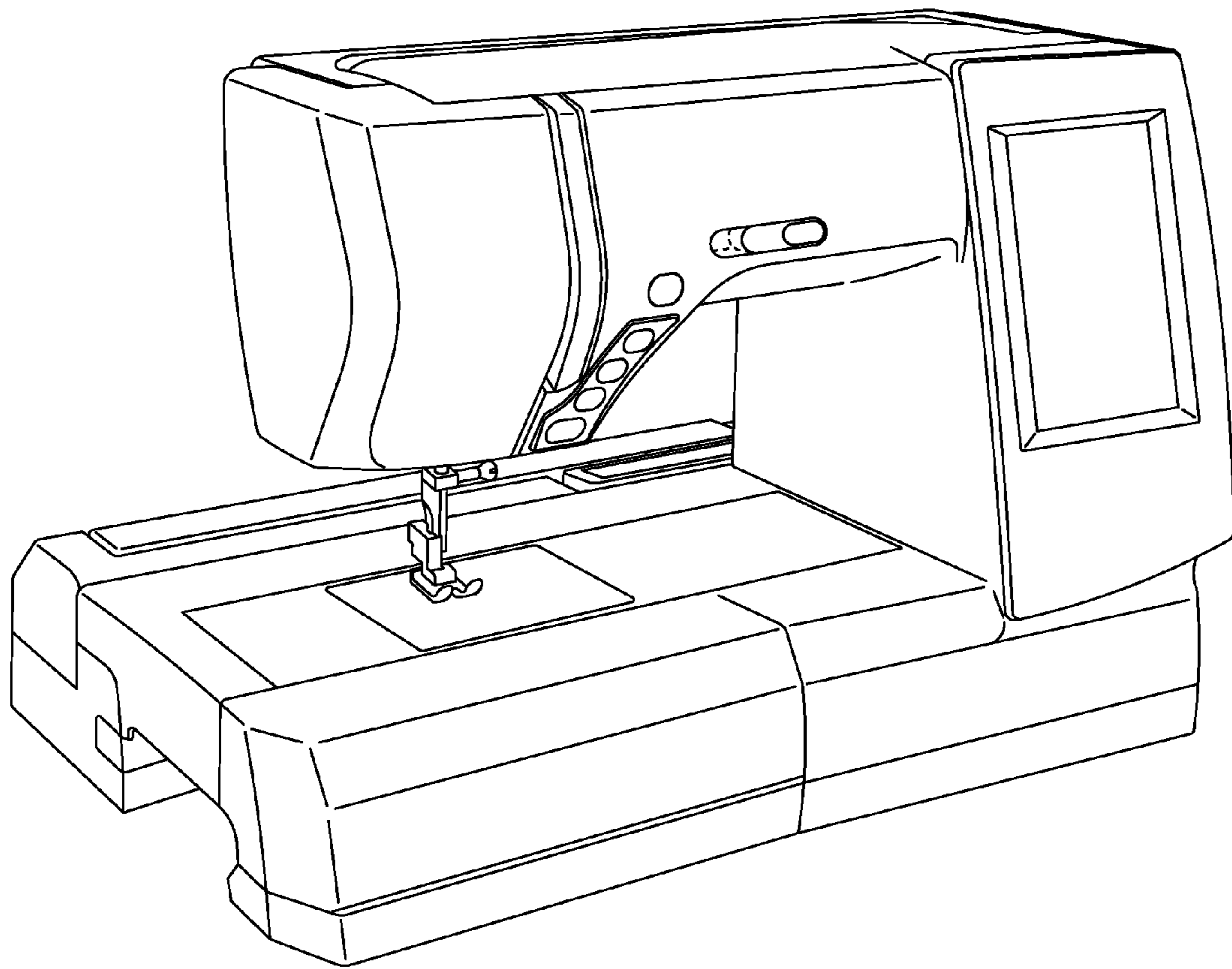


Figure 1

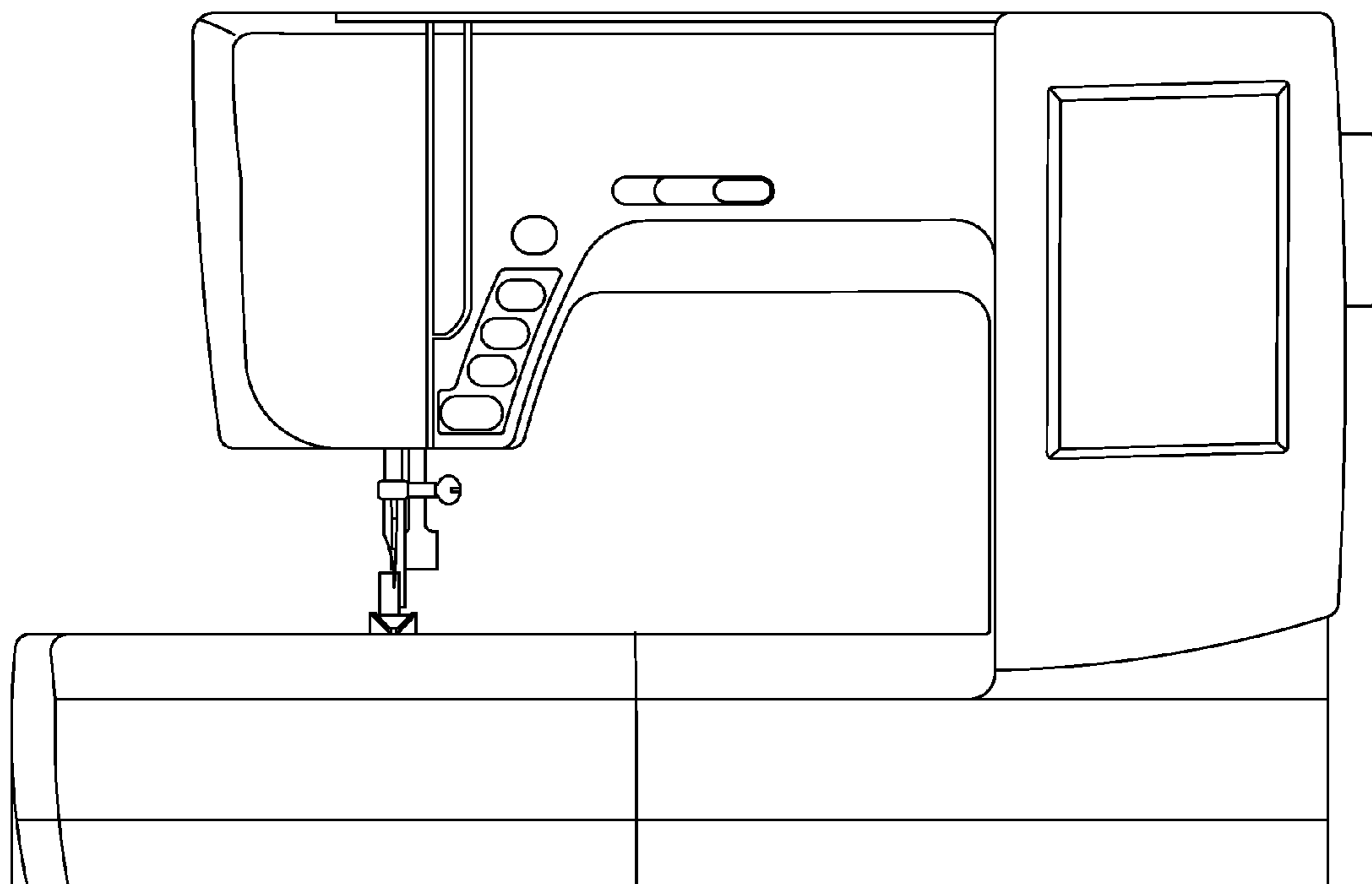


Figure 2

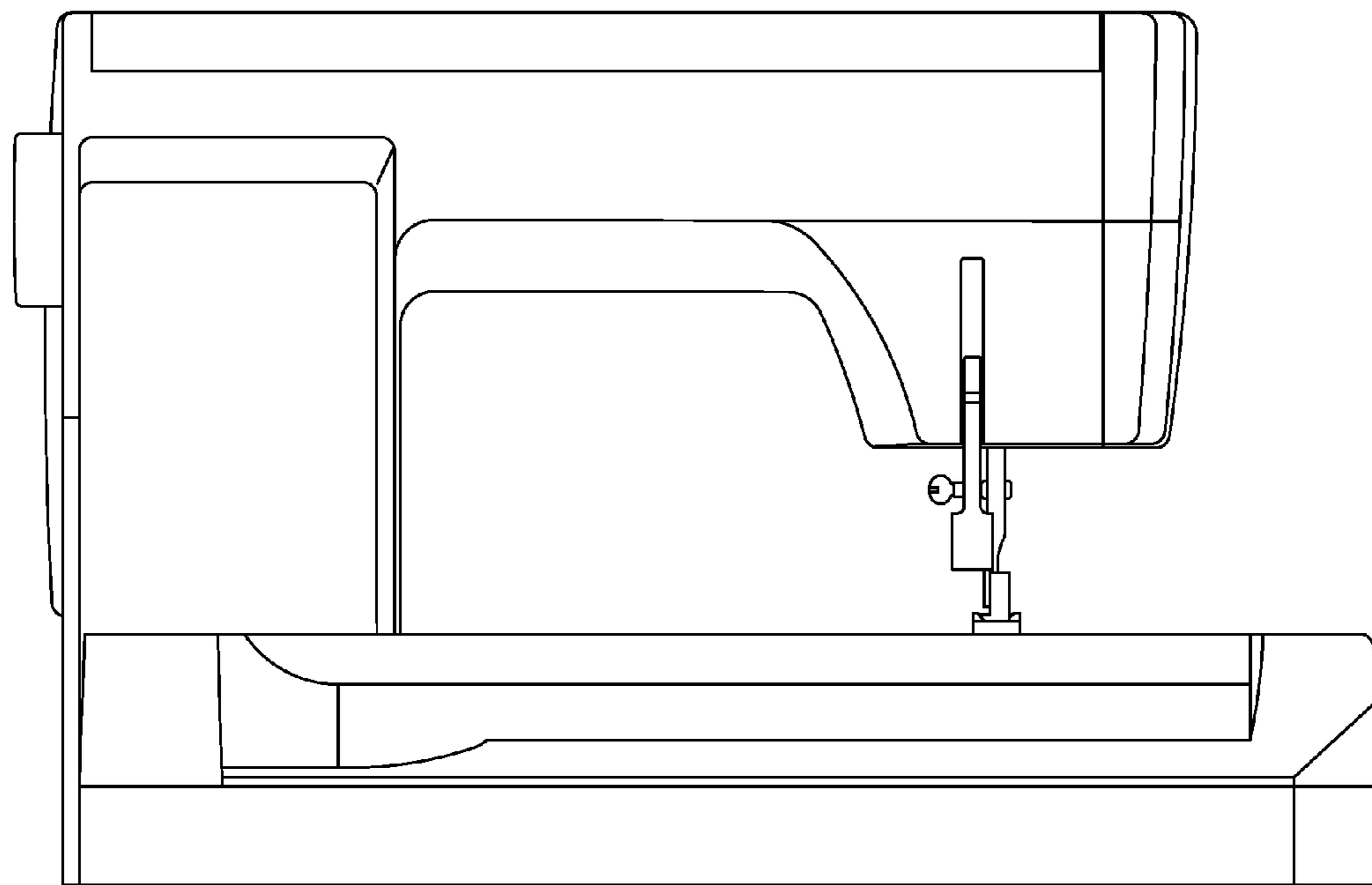


Figure 3

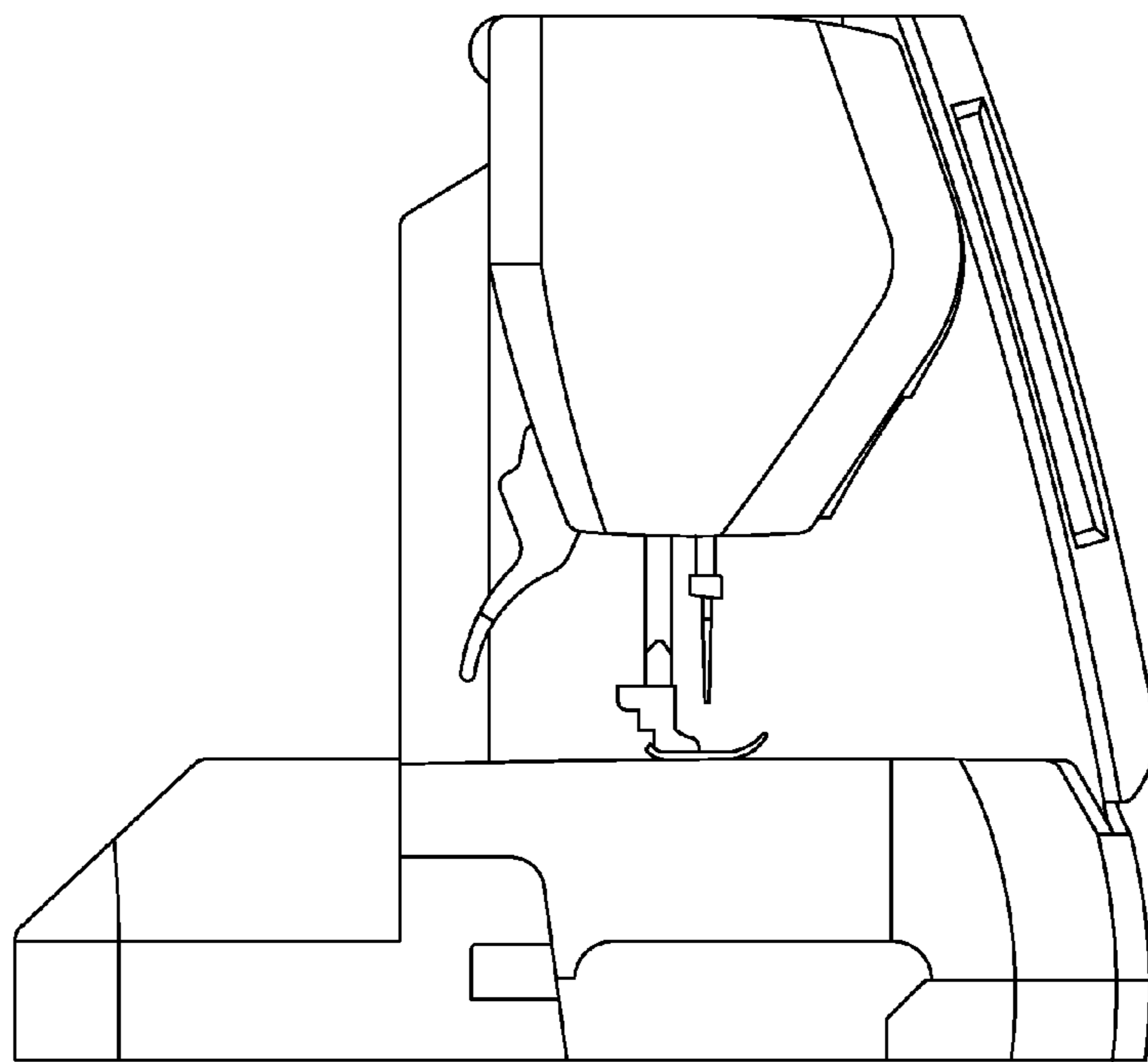


Figure 4

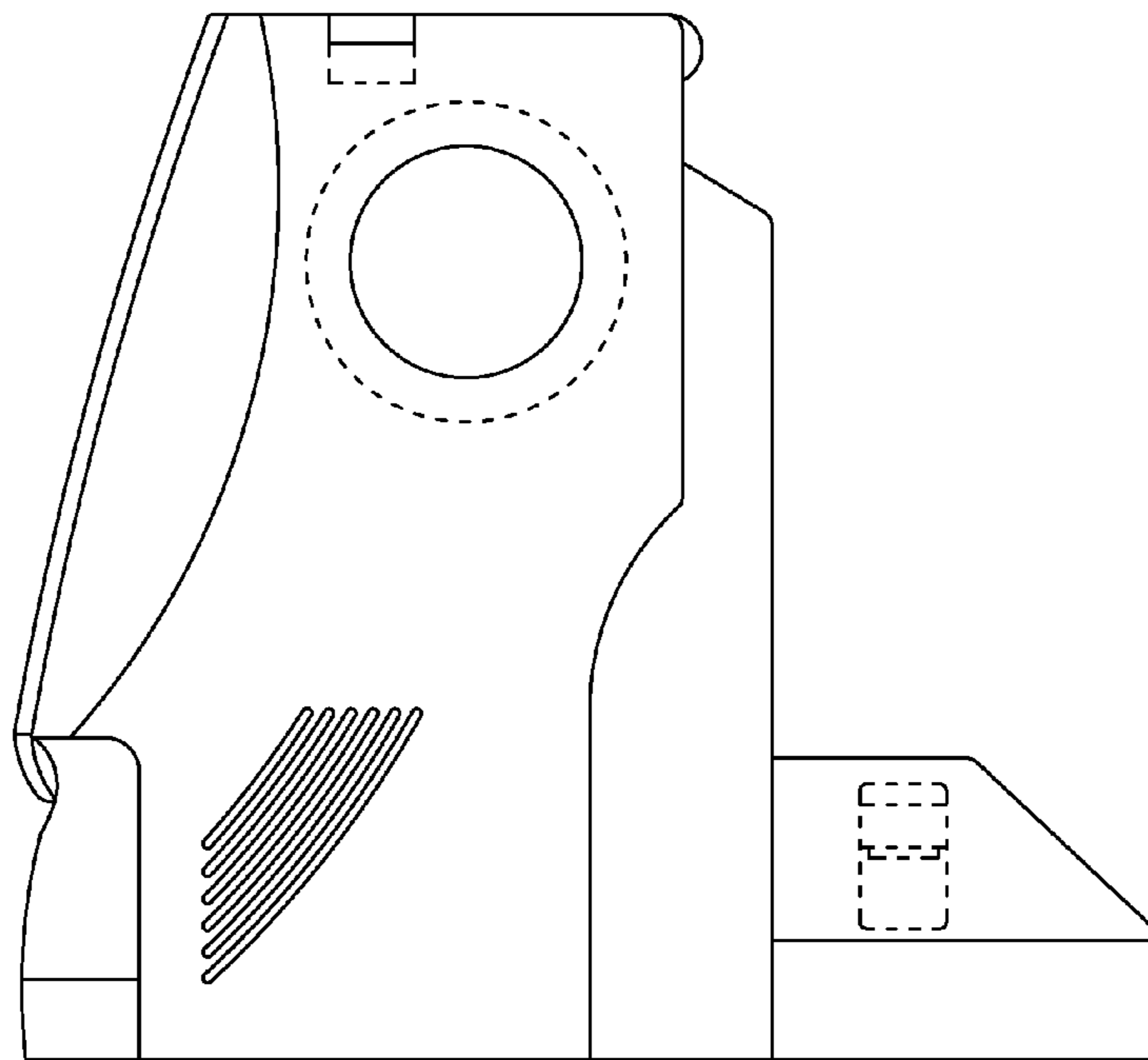


Figure 5

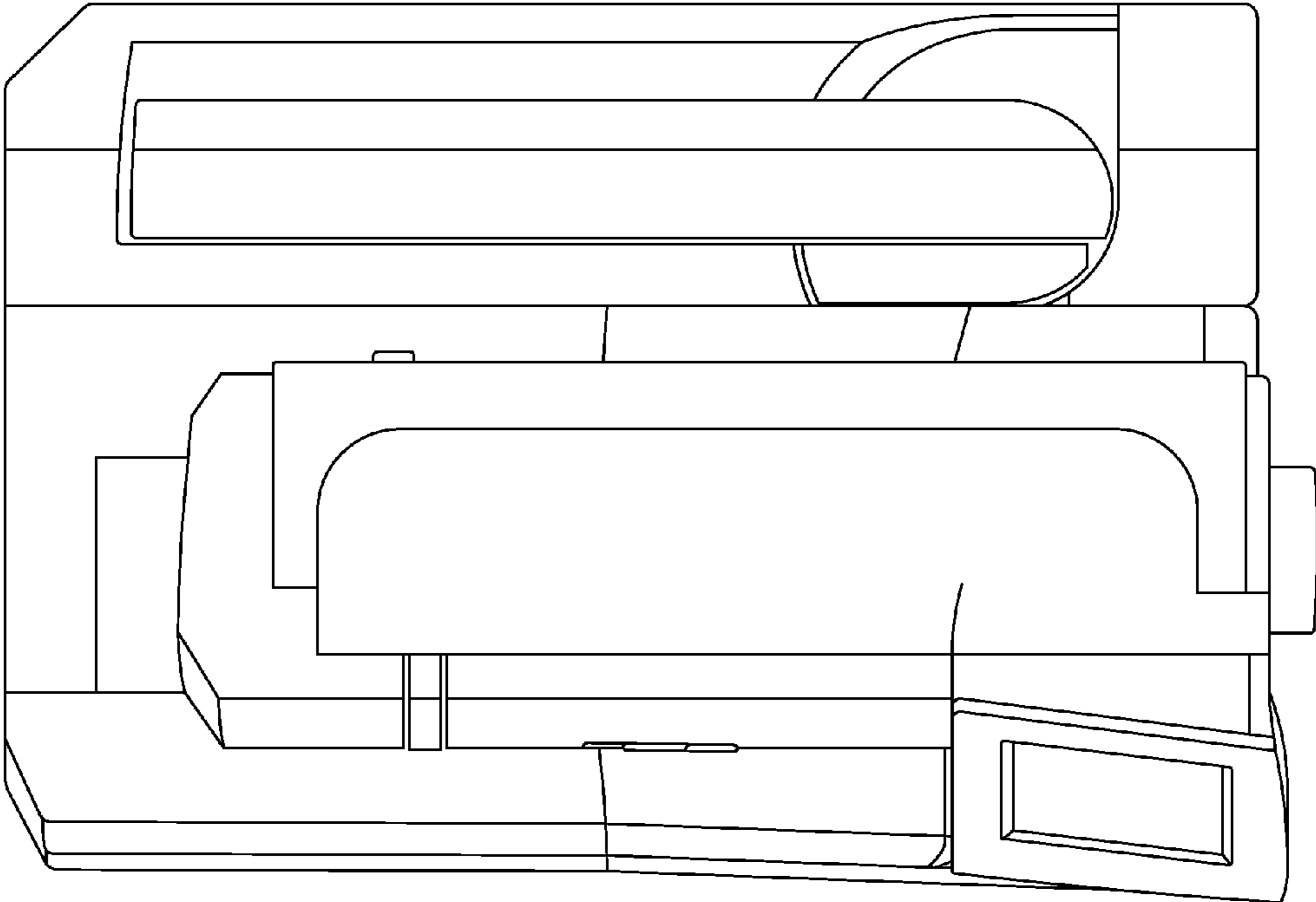


Figure 6

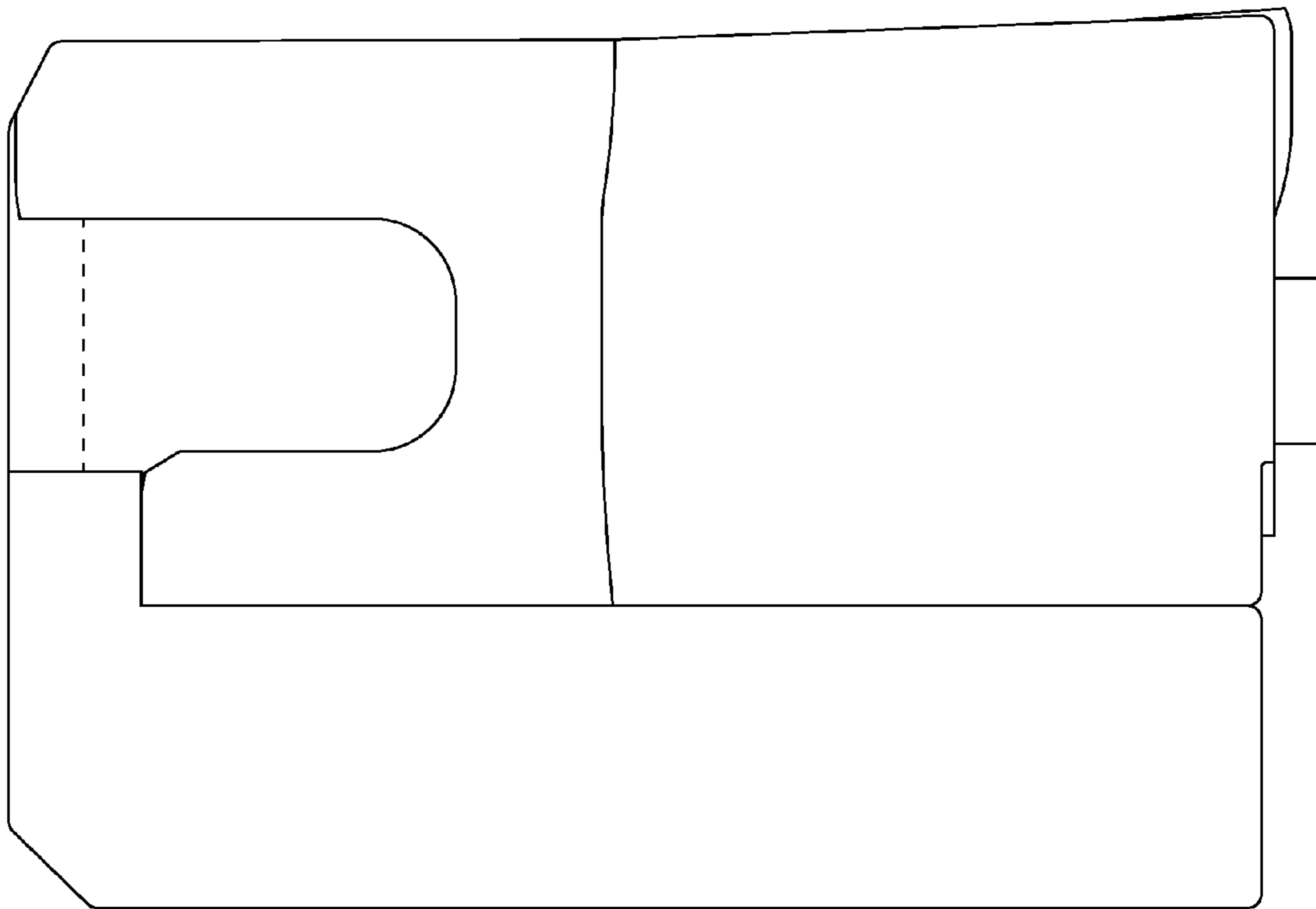


Figure 7