



US00D725681S

(12) **United States Design Patent**
Bonneau et al.

(10) **Patent No.:** **US D725,681 S**
(45) **Date of Patent:** **** Mar. 31, 2015**

(54) **CONTROL GRIP**

(71) Applicant: **Deere & Company**, Moline, IL (US)

(72) Inventors: **Stephen E. Bonneau**, Dubuque, IA (US); **Lucas J. Wallace**, Dubuque, IA (US); **Ronald J. Huber**, Dubuque, IA (US); **Giovanni A. Wuisan**, Epworth, IA (US); **Jonathan E. Drum**, Raleigh, NC (US); **Donald W. Kruger**, Cuba City, WI (US); **Ryan N. Detweiler**, Dubuque, IA (US); **Harry E. Rawlins, IV**, Dubuque, IA (US); **Jason C. Lahey**, Dubuque, IA (US)

(73) Assignee: **Deere & Company**, Moline, IL (US)

(**) Term: **14 Years**

(21) Appl. No.: **29/469,669**

(22) Filed: **Oct. 11, 2013**

(51) **LOC (10) Cl.** **15-03**

(52) **U.S. Cl.**
USPC **D15/28**

(58) **Field of Classification Search**
USPC D15/11, 28, 21, 17, 18, 142; D34/28, D34/34, 35; D14/412, 413, 415, 416, 428; D12/174, 179; 74/488, 484 R; 280/43.12; 187/222, 224; 463/36-38; 244/234

See application file for complete search history.

(56) **References Cited**

U.S. PATENT DOCUMENTS

5,002,454	A	3/1991	Hadank et al.	
D429,246	S *	8/2000	Holma	D14/412
D441,330	S *	5/2001	Okazawa et al.	D12/179
D463,459	S *	9/2002	Tamaru et al.	D15/28
D506,422	S *	6/2005	Crookes	D12/179
D536,153	S *	1/2007	Niebuhr et al.	D34/35
D568,796	S *	5/2008	Oliver et al.	D12/179
D575,924	S *	8/2008	Niebuhr	D34/35

7,497,298	B2	3/2009	Shearer et al.	
D598,023	S *	8/2009	Miller et al.	D14/412
7,823,685	B2	11/2010	Blind	
D635,155	S *	3/2011	Blind	D15/28
D640,258	S *	6/2011	Hobenshield et al.	D14/412
D645,046	S *	9/2011	Hobenshield et al.	D14/412
D656,073	S *	3/2012	Foerster et al.	D12/179
D695,792	S *	12/2013	Jensen	D15/28

OTHER PUBLICATIONS

Exhibit A, Deere & Company Dozer Control Grip, Undated.
Deere & Company, John Deere 700K/750K/850K Dozers Brochure, pp. 1, 6 and 28, Aug. 7, 2013.
Deere & Company, John Deere K-Series Backhoes Brochure, pp. 1, 8, 10-11 and 40, Oct. 2012.
Tecnom Joysticks—Multi-function Ergonomic Grip, Undated.

* cited by examiner

Primary Examiner — Mark Goodwin

(74) *Attorney, Agent, or Firm* — Quarles & Brady LLP

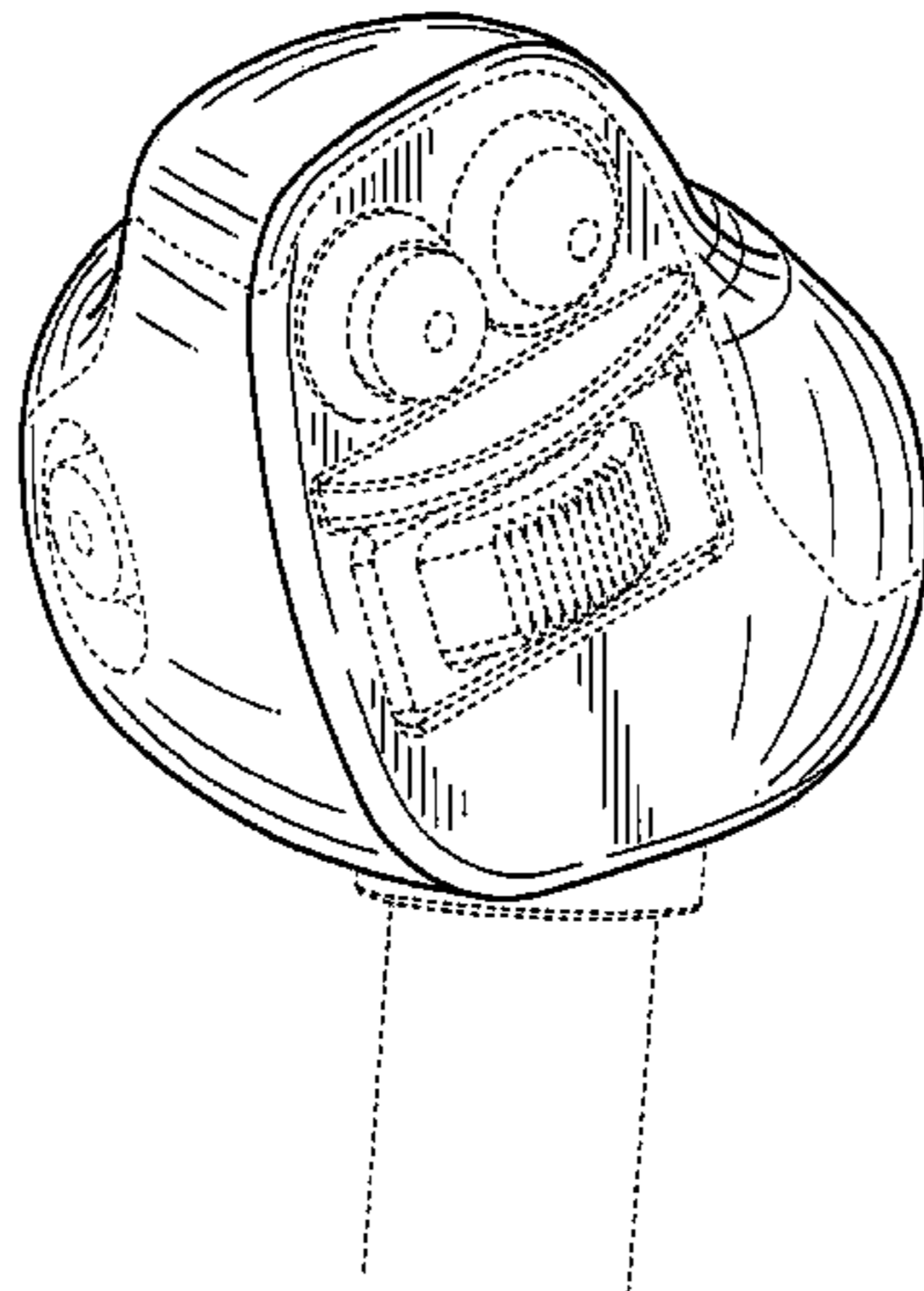
(57) **CLAIM**

The ornamental design for a control grip, as shown and described.

DESCRIPTION

FIG. 1 is a top, front, right perspective view of a control grip showing our new design;
FIG. 2 is a right side elevational view thereof;
FIG. 3 is a left side elevational view thereof;
FIG. 4 is a front end view thereof;
FIG. 5 is a rear end view thereof;
FIG. 6 is a top plan view thereof; and,
FIG. 7 is a bottom plan view thereof.
The claimed design also includes the mirror images of the claimed features in the above described FIGS. 1-7.
The broken line representations in the figures show unclaimed environment or boundaries. The broken line representations thus form no part of the claimed design as filed. The nature of this product is a grip for controlling an implement or drive of a work vehicle, such as used in the agricultural, construction or forestry industries.

1 Claim, 4 Drawing Sheets



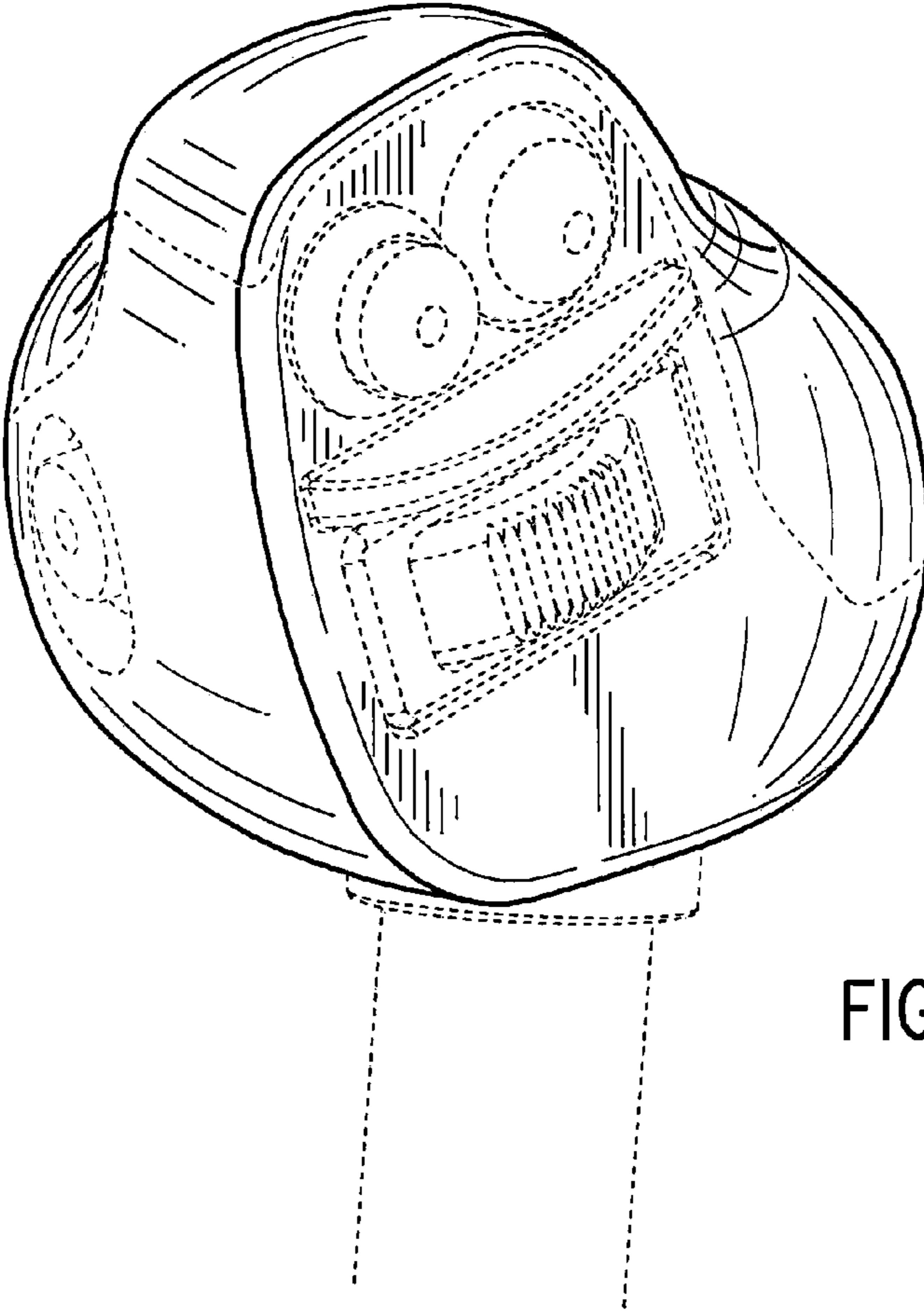


FIG. 1

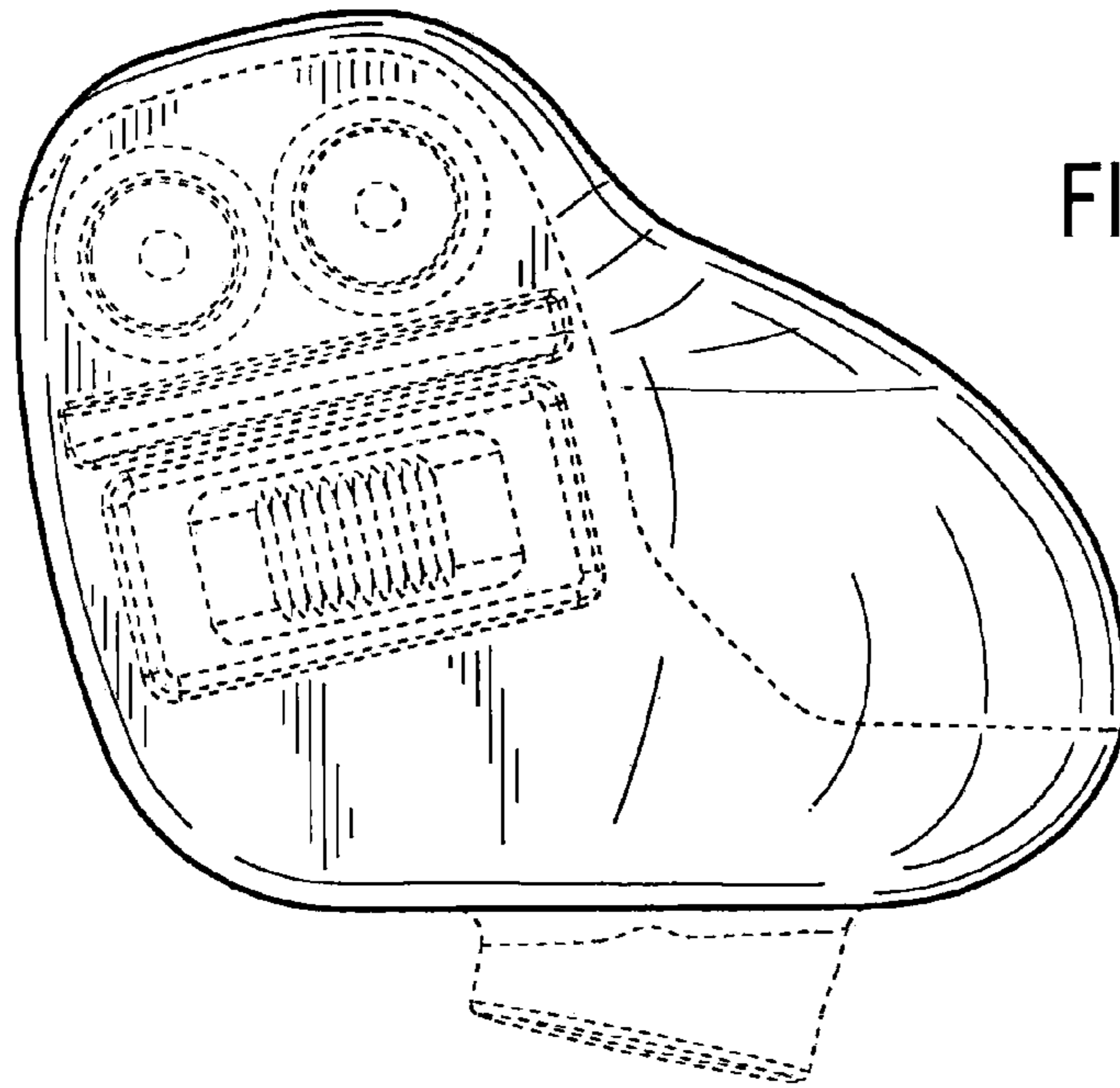


FIG. 2

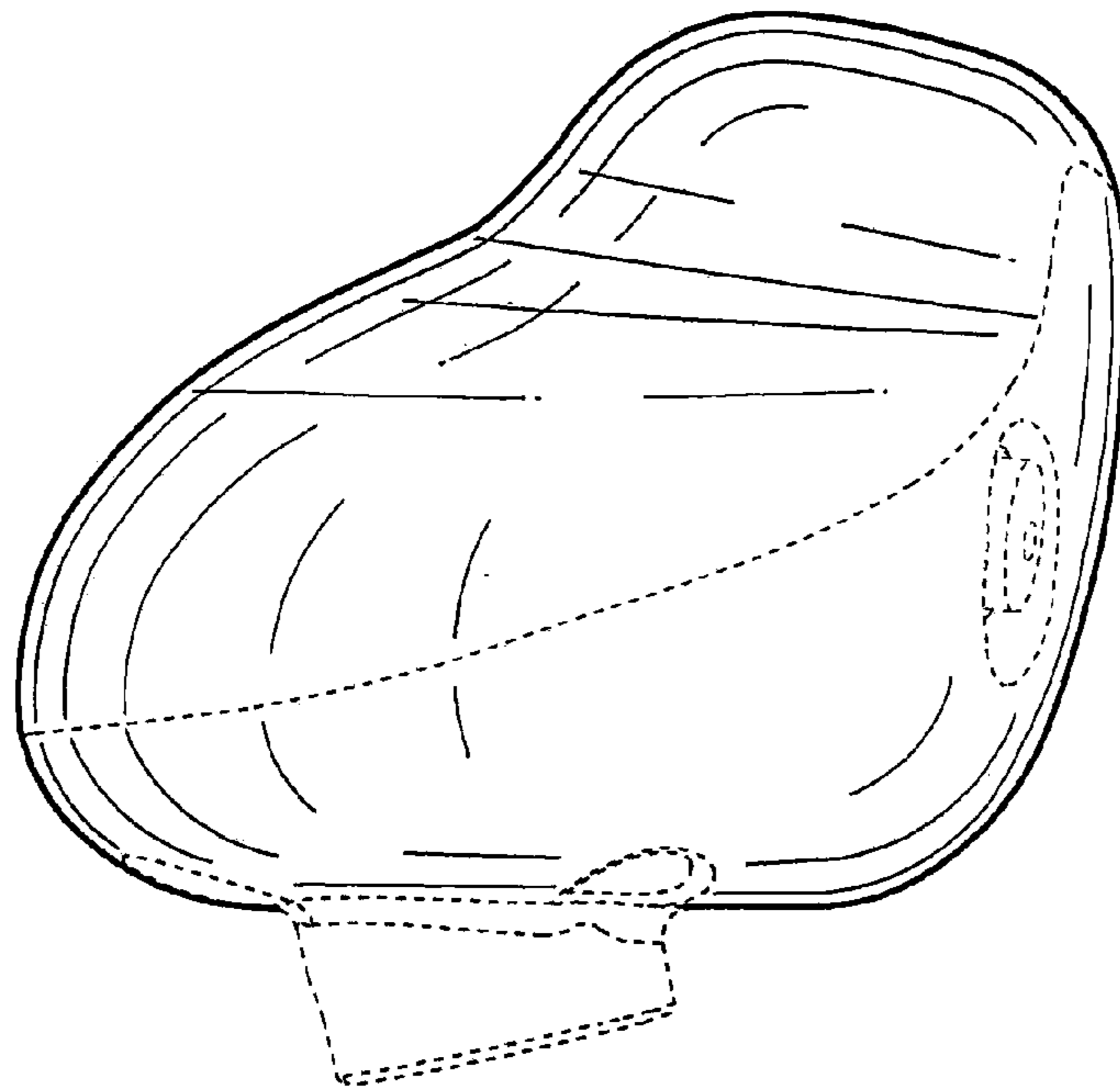


FIG. 3

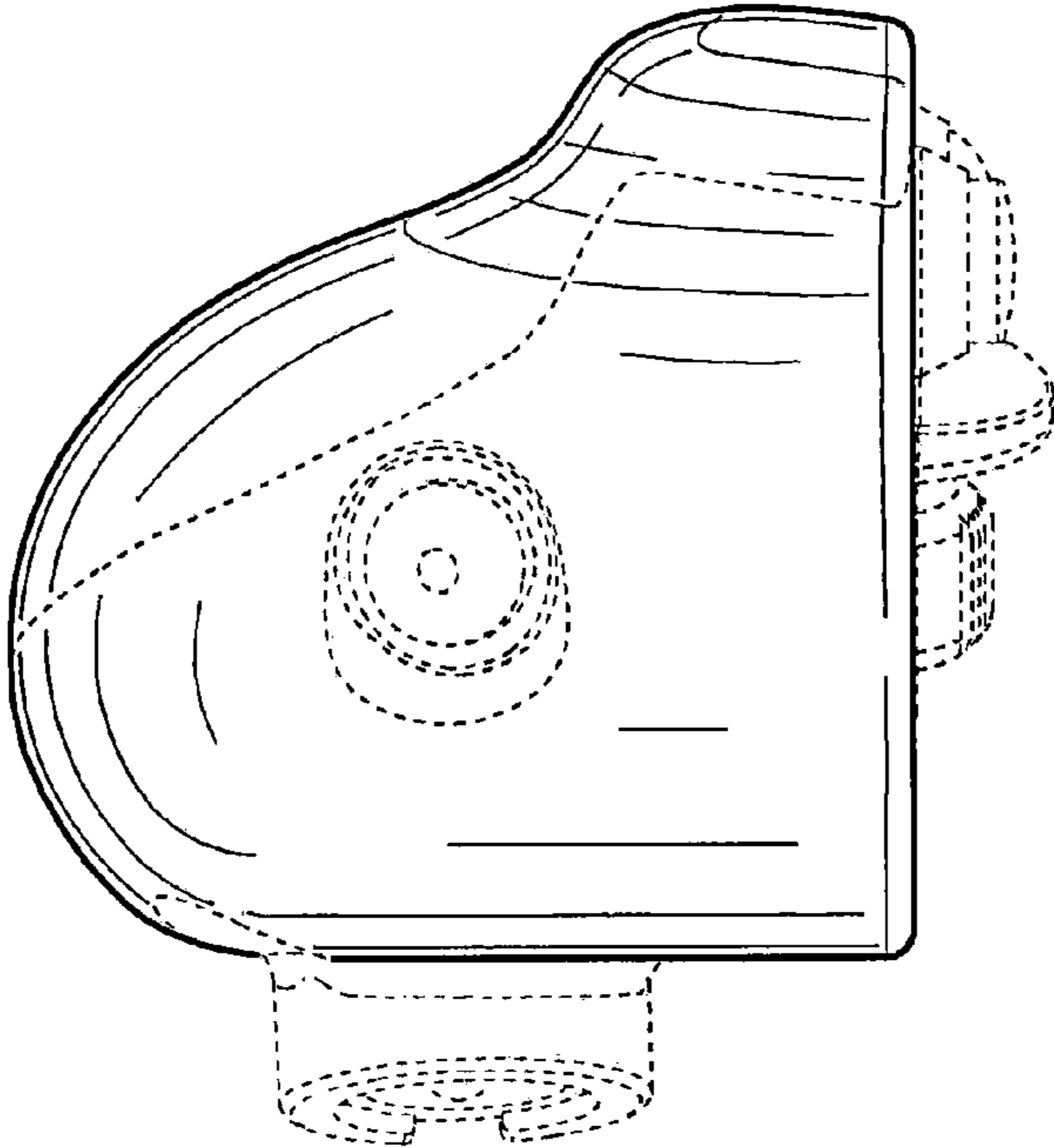


FIG. 4

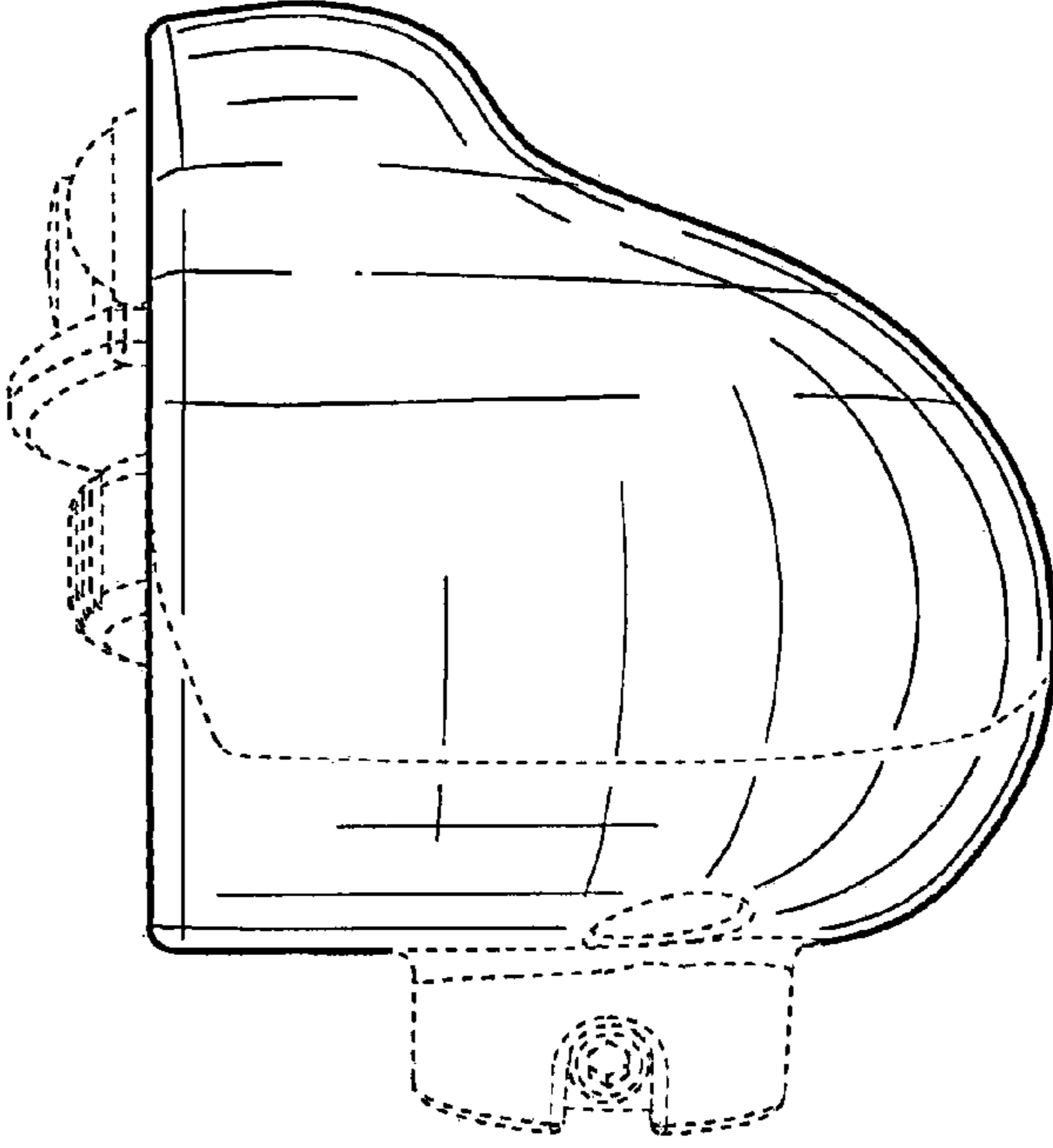


FIG. 5

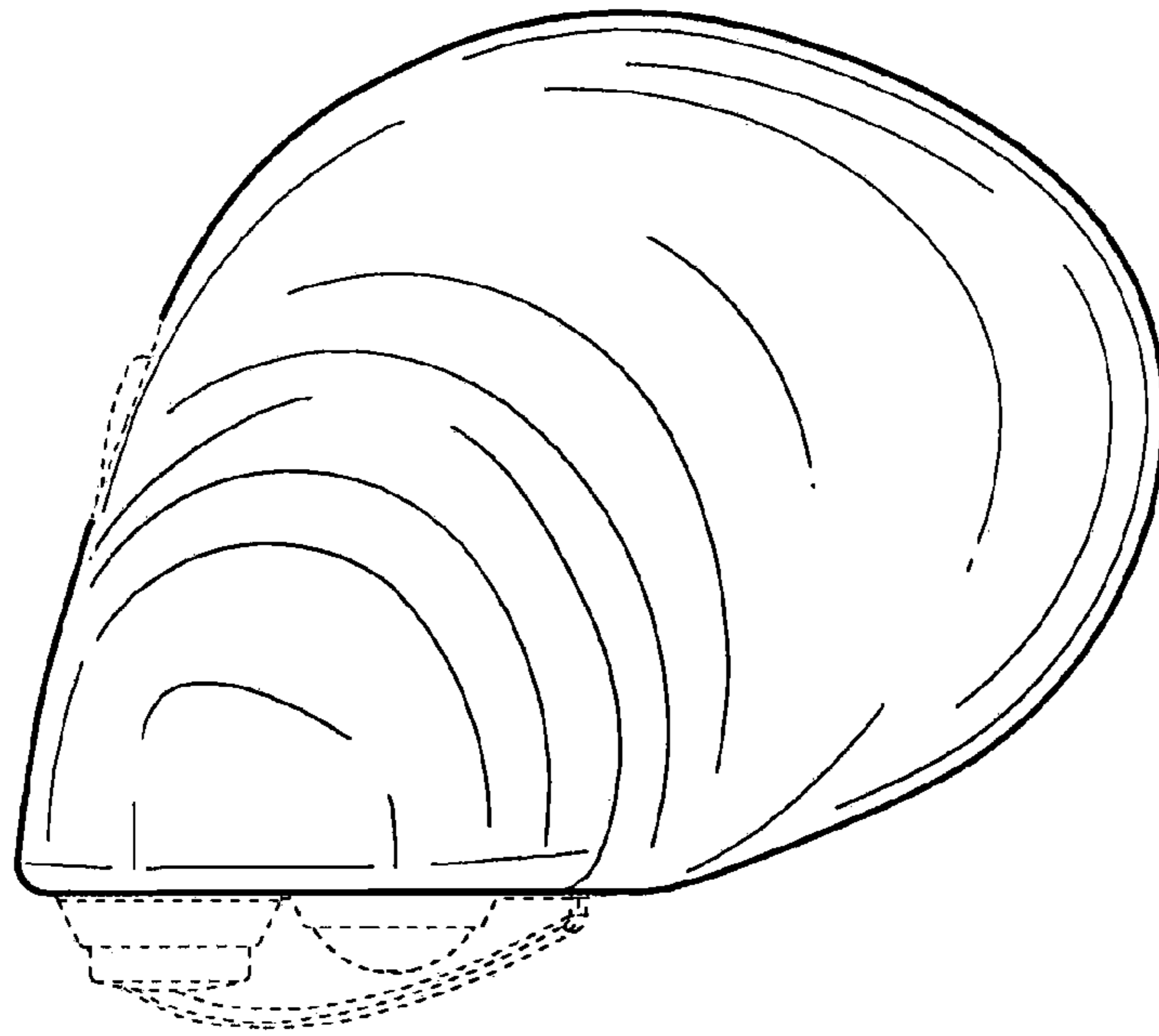


FIG. 6

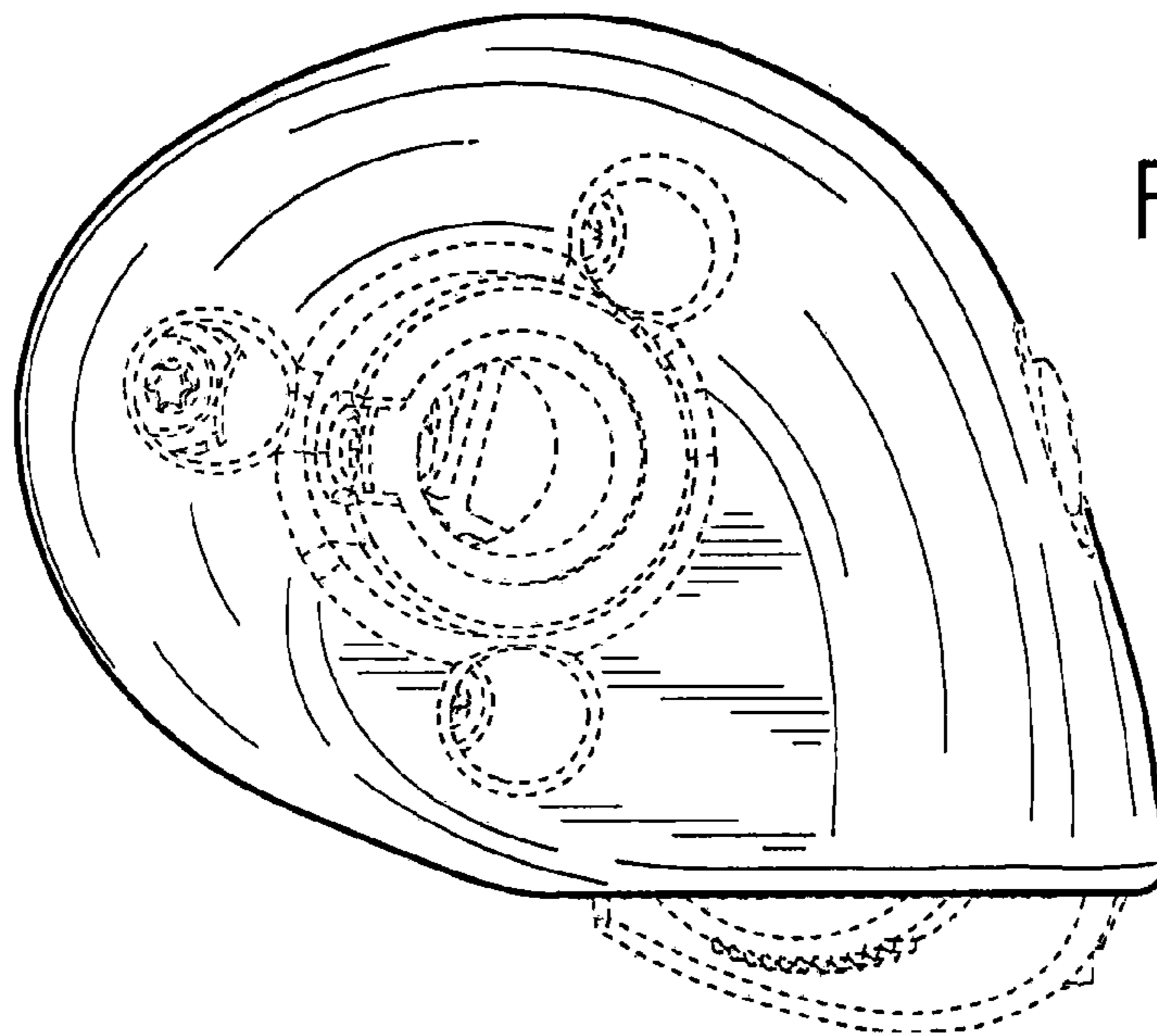


FIG. 7