

US00D725680S

(12) **United States Design Patent**
Mishio et al.

(10) **Patent No.:** **US D725,680 S**
(45) **Date of Patent:** **** Mar. 31, 2015**

(54) **EXCAVATOR**

(71) Applicant: **Yanmar Co., Ltd.**, Osaka-shi, Osaka (JP)

(72) Inventors: **Satoru Mishio**, Chikugo (JP); **Kazuya Hokimoto**, Chikugo (JP); **Keiichi Nishihara**, Chikugo (JP)

(73) Assignee: **Yanmar Co., Ltd.**, Osaka (JP)

(**) Term: **14 Years**

(21) Appl. No.: **29/480,181**

(22) Filed: **Jan. 23, 2014**

(30) **Foreign Application Priority Data**

Jul. 24, 2013 (JP) 2013-16888

(51) **LOC (10) Cl.** **12-09**

(52) **U.S. Cl.**
USPC **D15/24; D15/25**

(58) **Field of Classification Search**
USPC D15/10, 22-26, 28, 30; 180/89.1, 180/89.12, 89.13, 900, 9.1, 9.2, 9.62; 37/379; 414/694, 699, 722-724, 660, 414/685, 698, 719, 743
See application file for complete search history.

(56) **References Cited**

U.S. PATENT DOCUMENTS

D309,313 S * 7/1990 Takashima et al. D15/25
D312,468 S * 11/1990 Masumoto et al. D15/25
D354,497 S * 1/1995 Kusunoki et al. D15/25
D440,235 S * 4/2001 Kuwae et al. D15/25
D462,973 S * 9/2002 Tamaru et al. D15/25
D462,974 S * 9/2002 Yanagida et al. D15/25
D474,481 S * 5/2003 Hara D15/25

D511,531 S * 11/2005 Sewell et al. D15/24
D518,071 S * 3/2006 Gwak et al. D15/25
D527,027 S * 8/2006 Smith et al. D15/24
D538,304 S * 3/2007 Uemura D15/25
D538,827 S * 3/2007 Uemura D15/25
D561,785 S * 2/2008 Imashige et al. D15/24
D576,180 S * 9/2008 Kuwae et al. D15/25
D609,252 S * 2/2010 Shimada et al. D15/25
D633,926 S * 3/2011 Shimada et al. D15/25

* cited by examiner

Primary Examiner — Mark Goodwin

(74) *Attorney, Agent, or Firm* — Sterne, Kessler, Goldstein & Fox P.L.L.C.

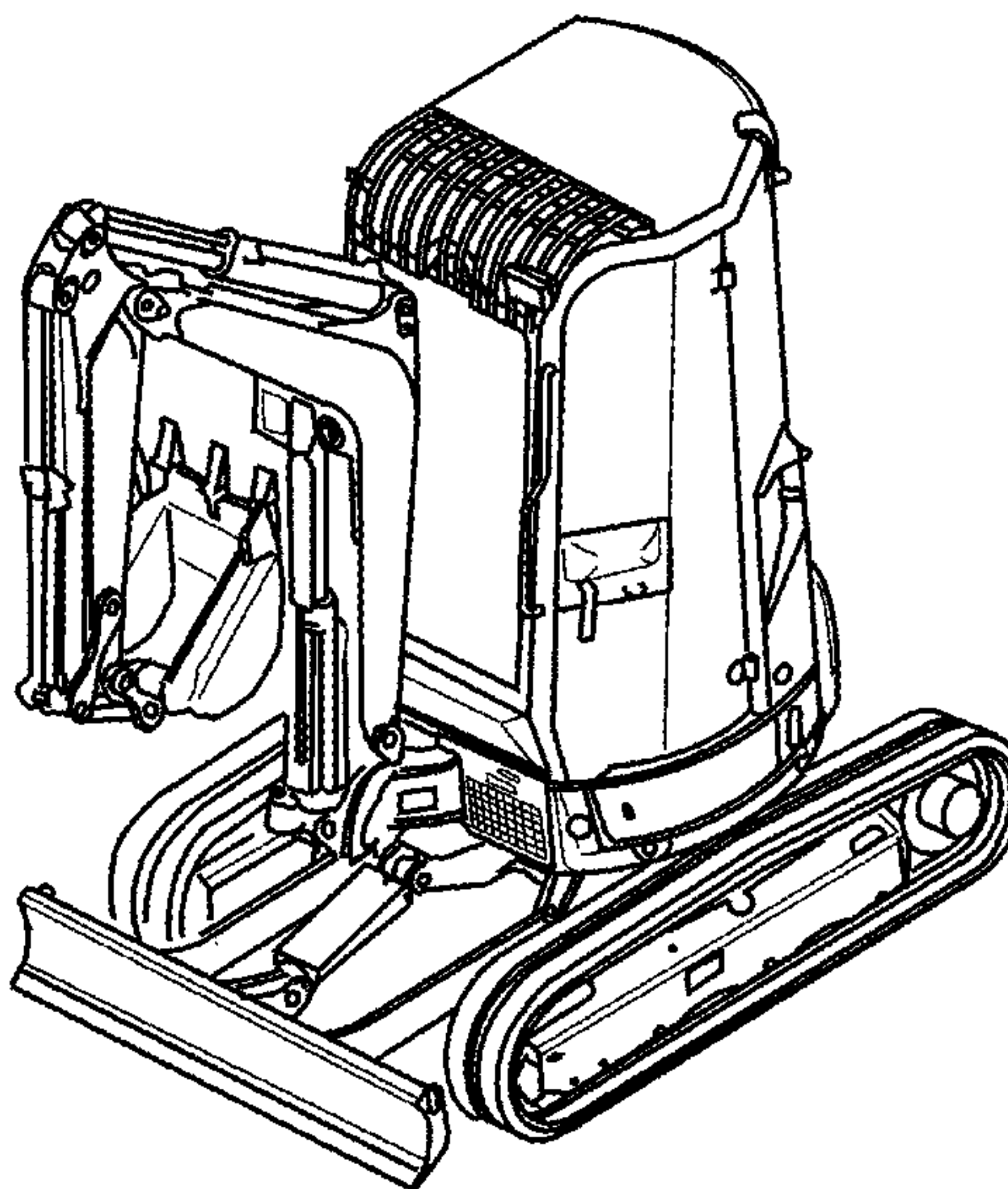
(57) **CLAIM**

The ornamental design for an excavator, as shown and described.

DESCRIPTION

FIG. 1 is a front perspective view of an excavator showing our new design;
FIG. 2 is a rear perspective view thereof;
FIG. 3 is a front view thereof;
FIG. 4 is a rear view thereof;
FIG. 5 is a left side view thereof;
FIG. 6 is a right side view thereof;
FIG. 7 is a top plan view thereof;
FIG. 8 is a bottom plan view thereof;
FIG. 9 is the front view of another embodiment of the excavator in FIG. 1;
FIG. 10 is a rear view thereof;
FIG. 11 is a left side view thereof;
FIG. 12 is a right side view thereof; and,
FIG. 13 is a top plan view thereof.
The oblique shade lines in FIGS. 9 through 13 shows transparency and not surface ornamentation.

1 Claim, 13 Drawing Sheets



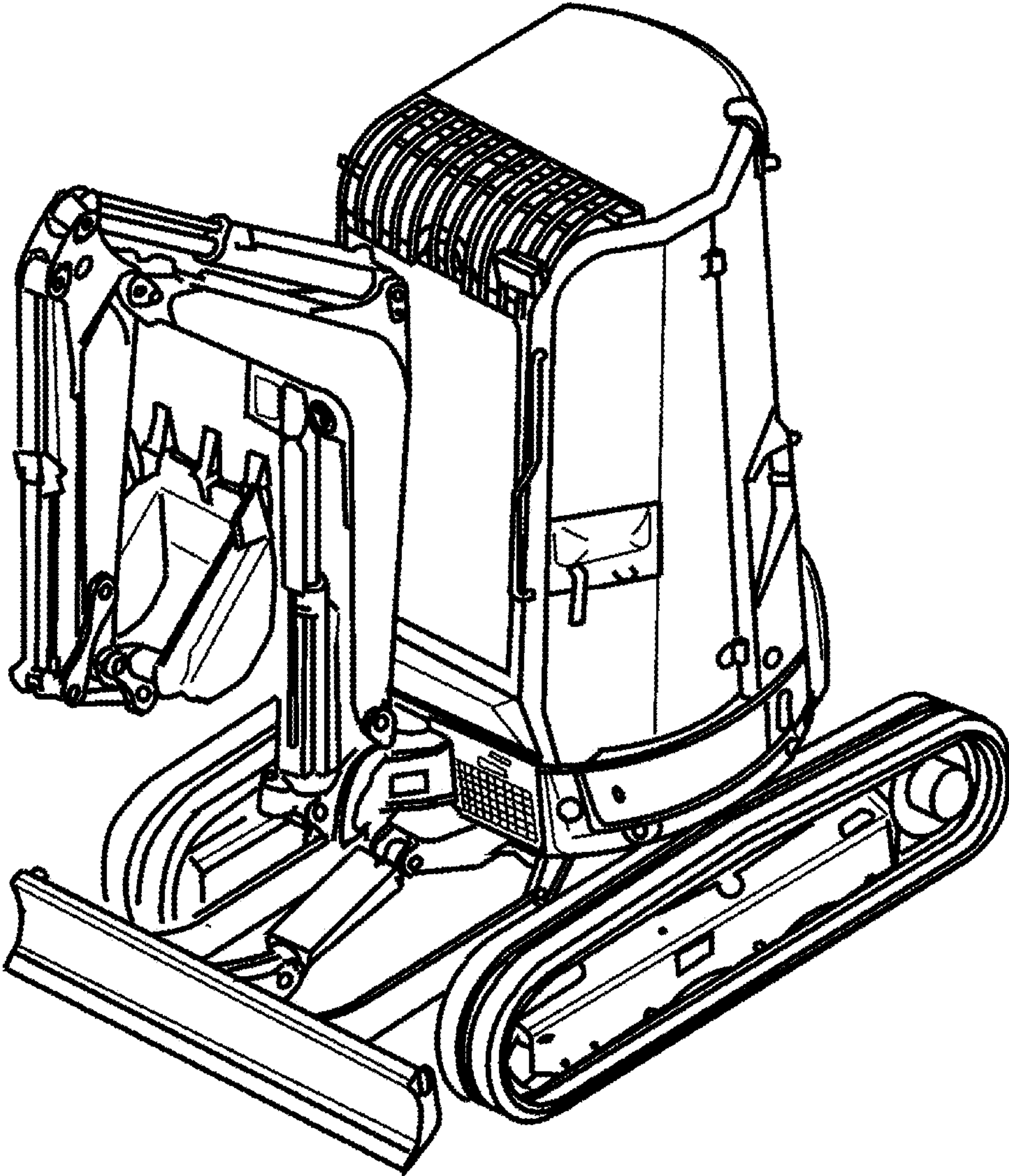


FIG. 1

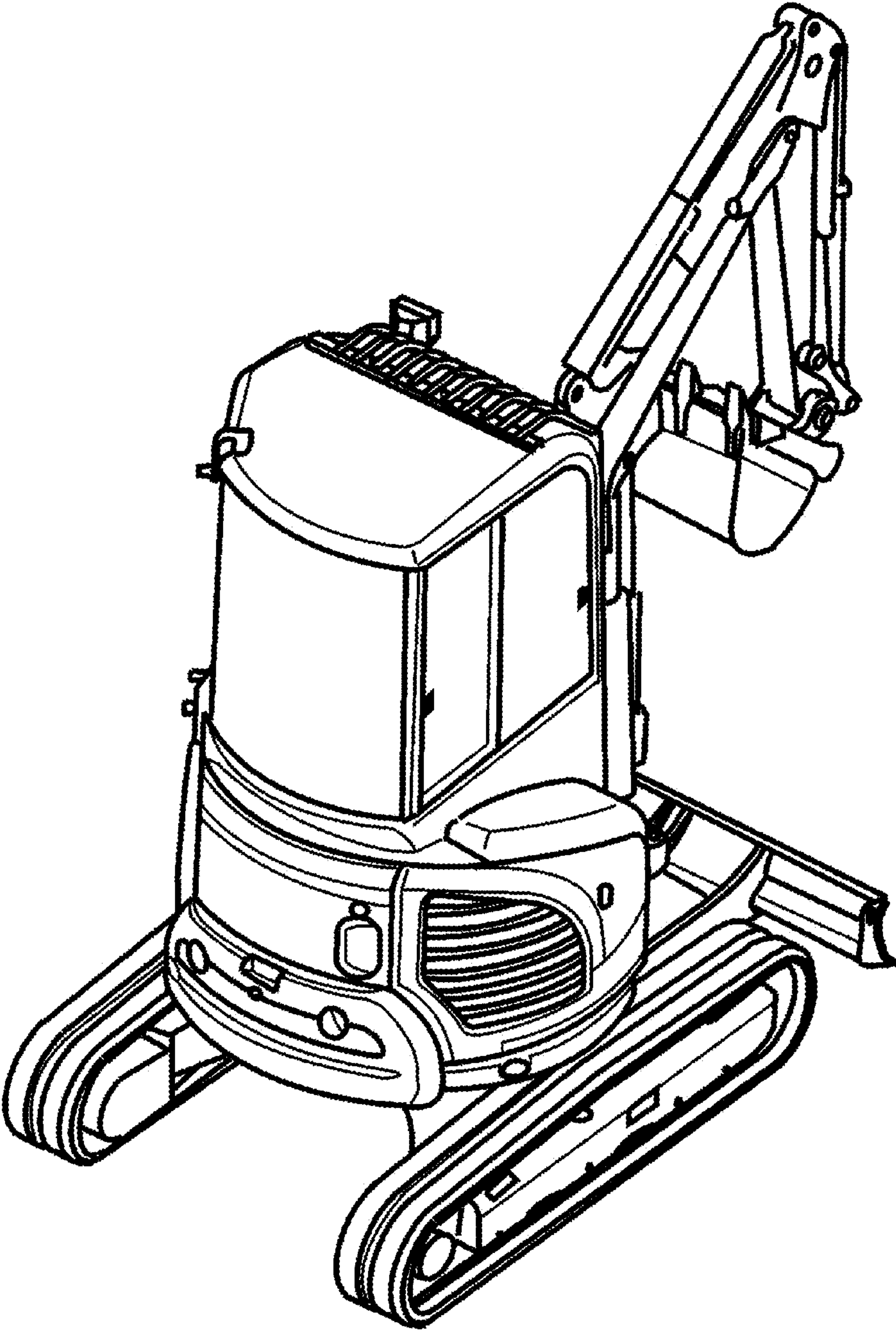


FIG. 2

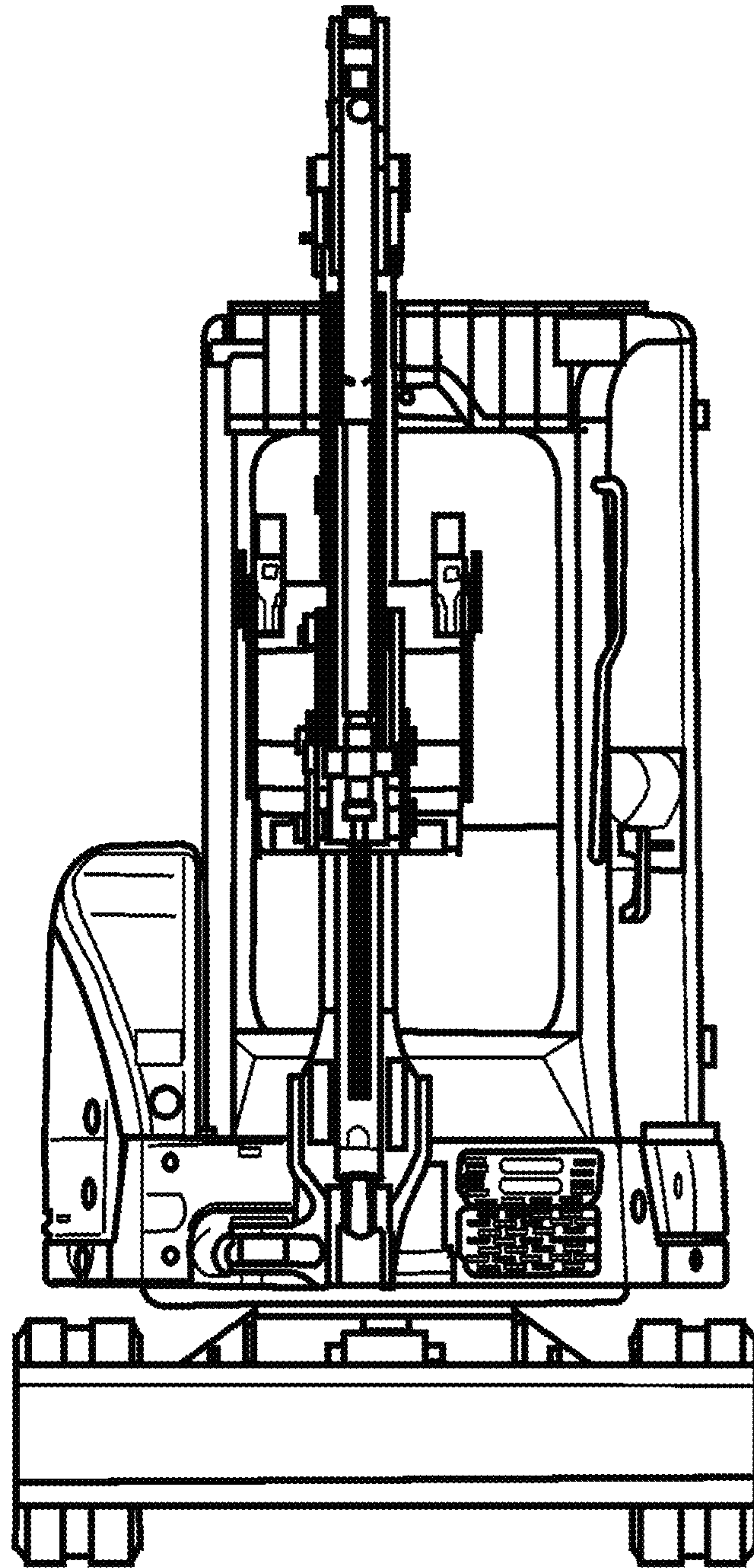


FIG. 3

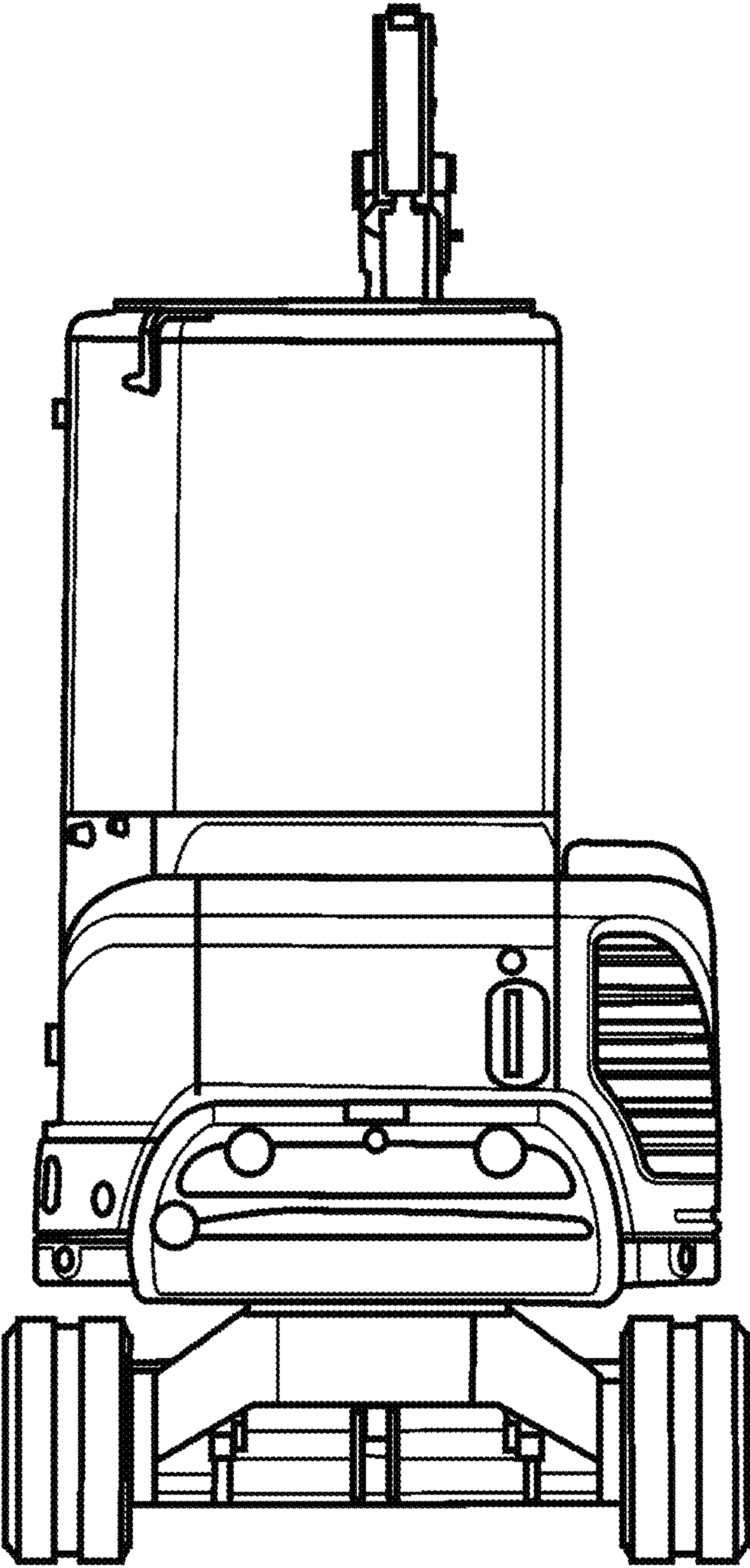


FIG. 4

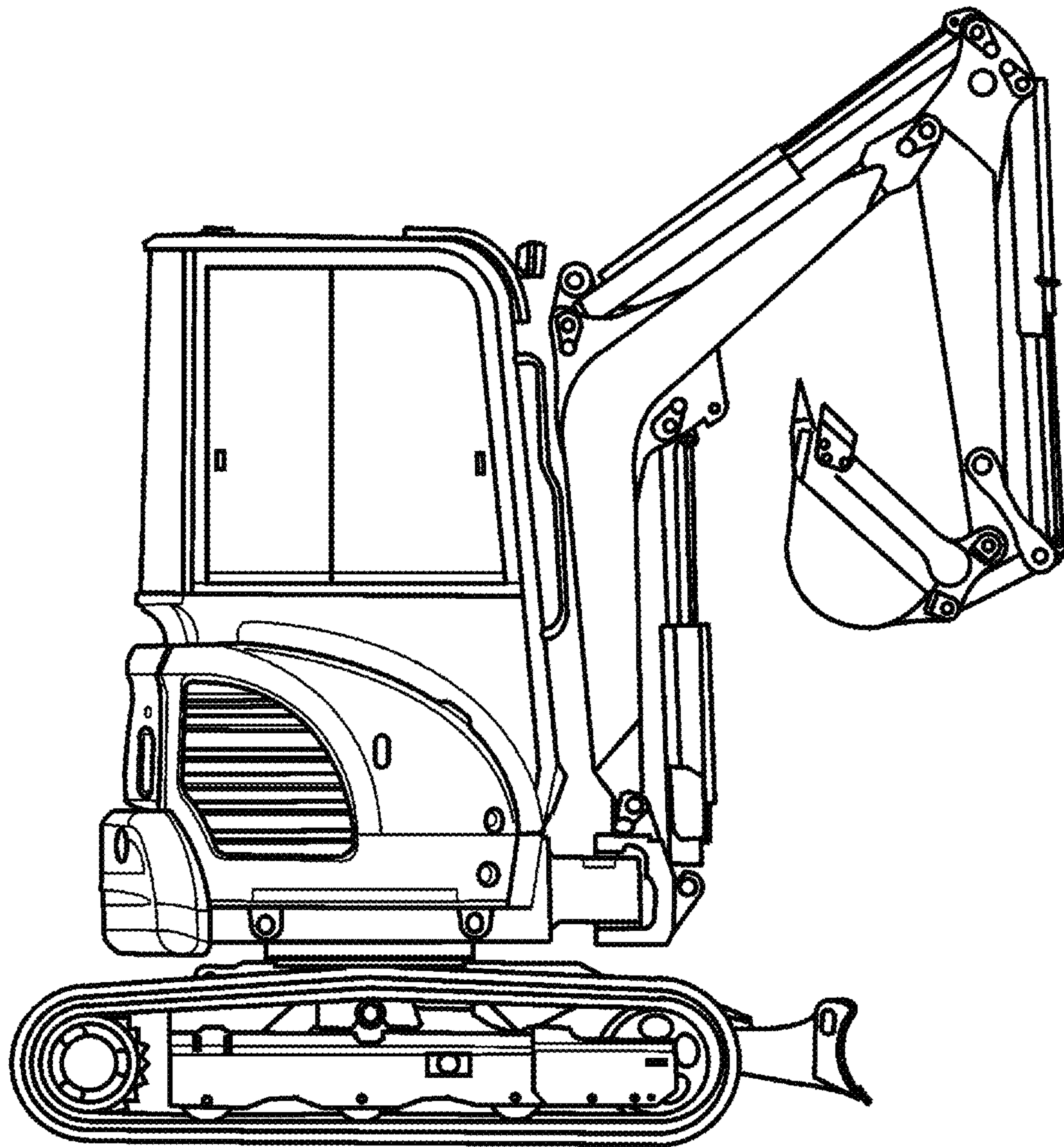


FIG. 5

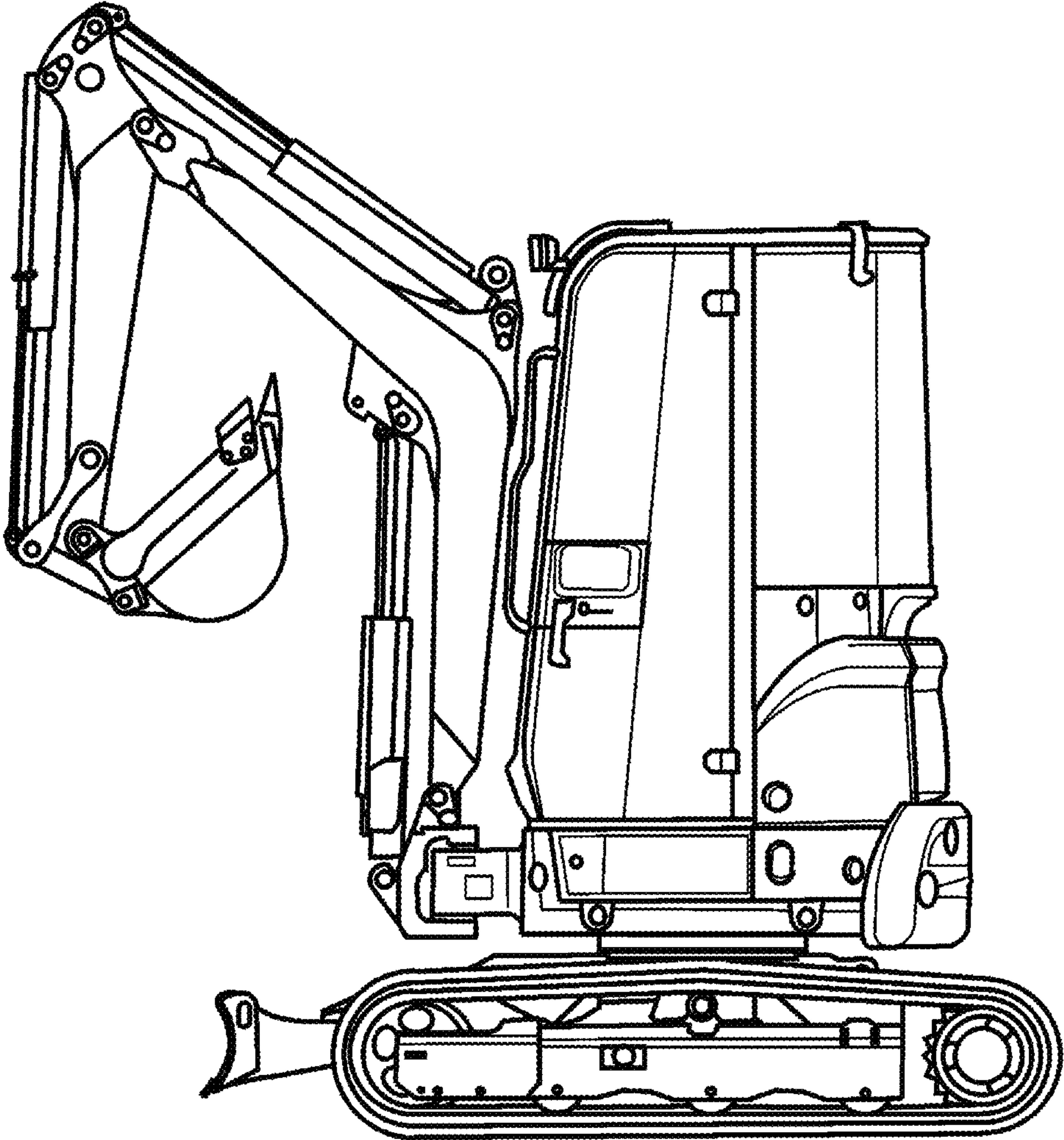


FIG. 6

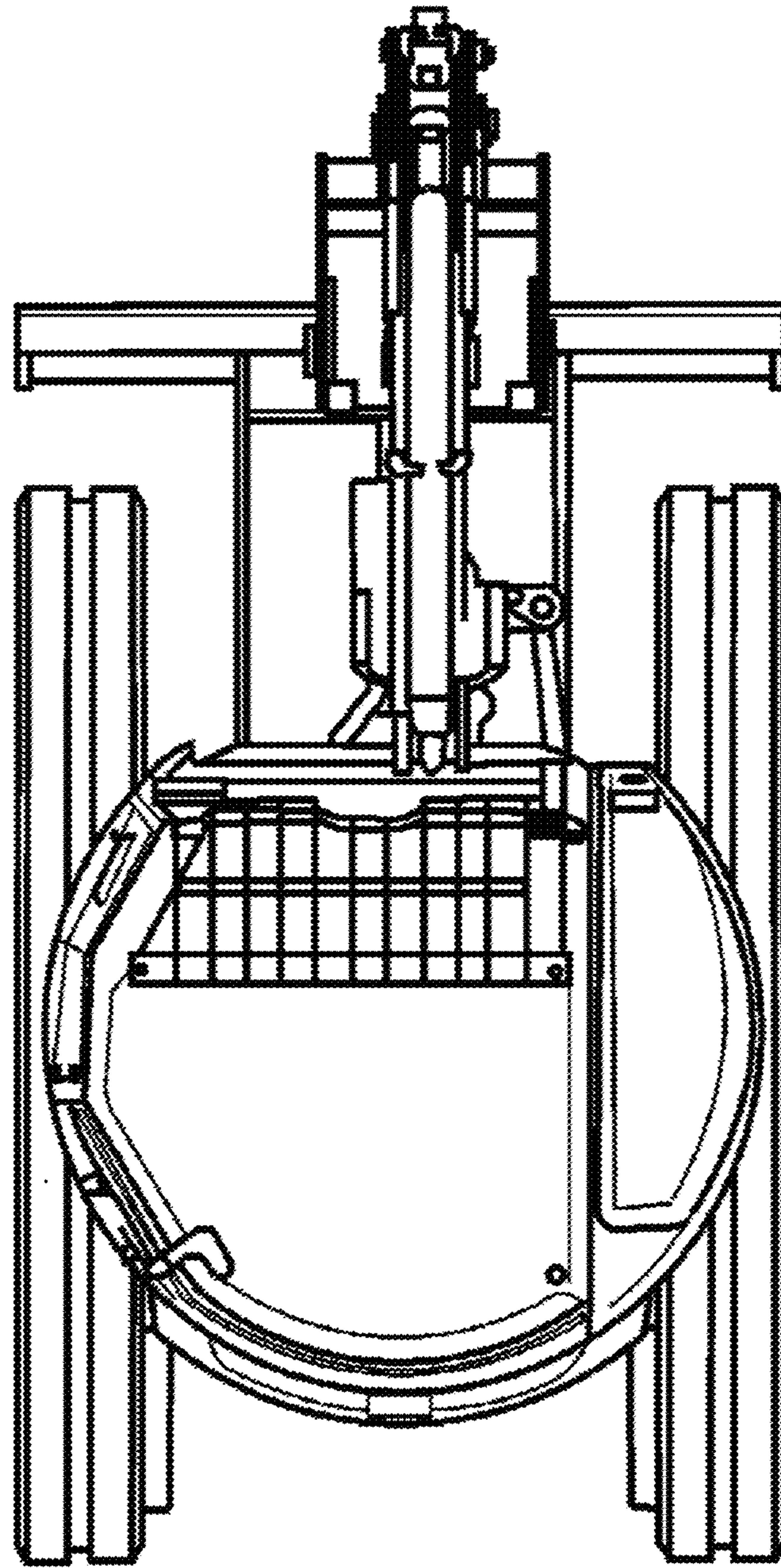


FIG. 7

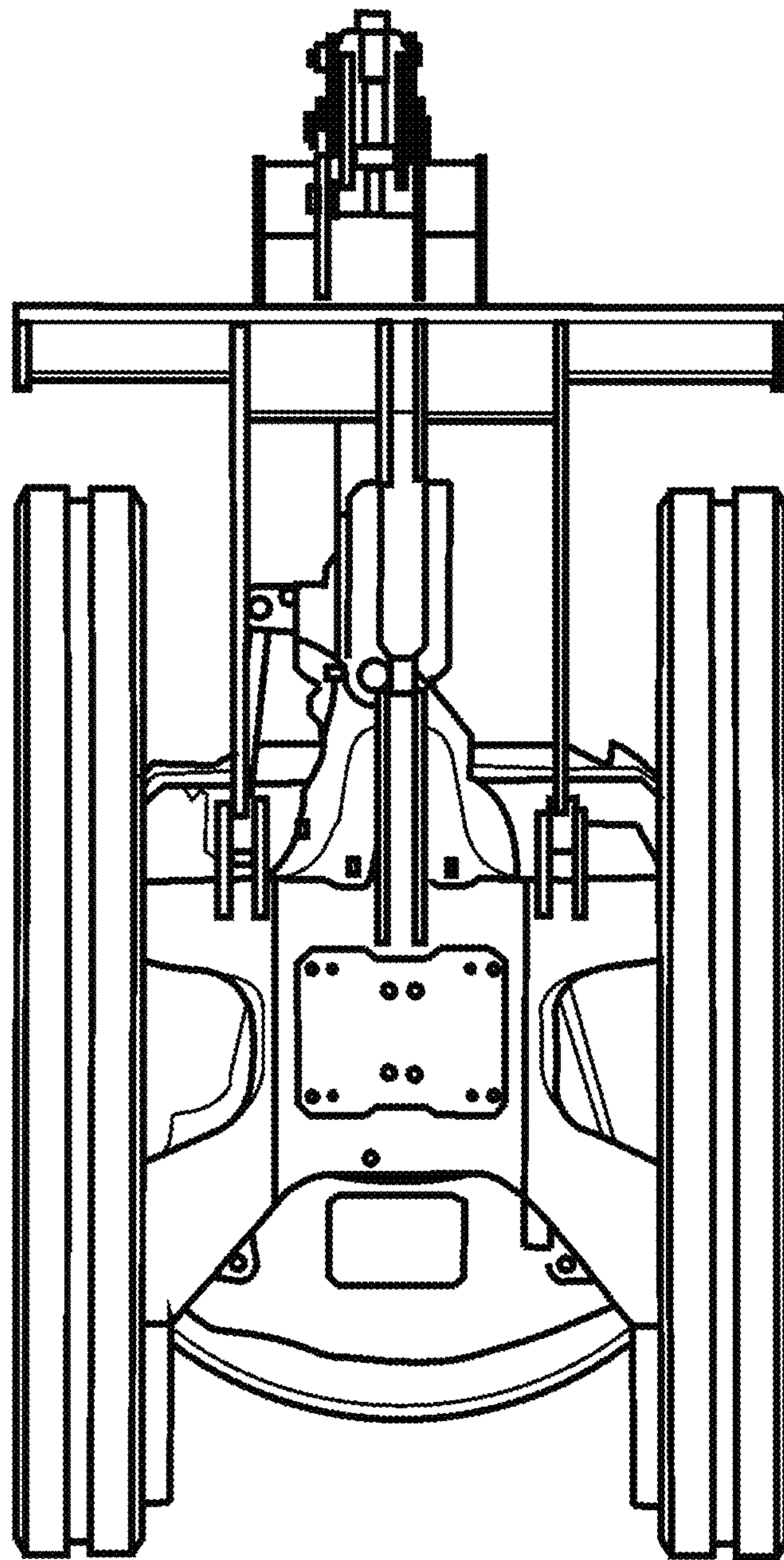


FIG. 8

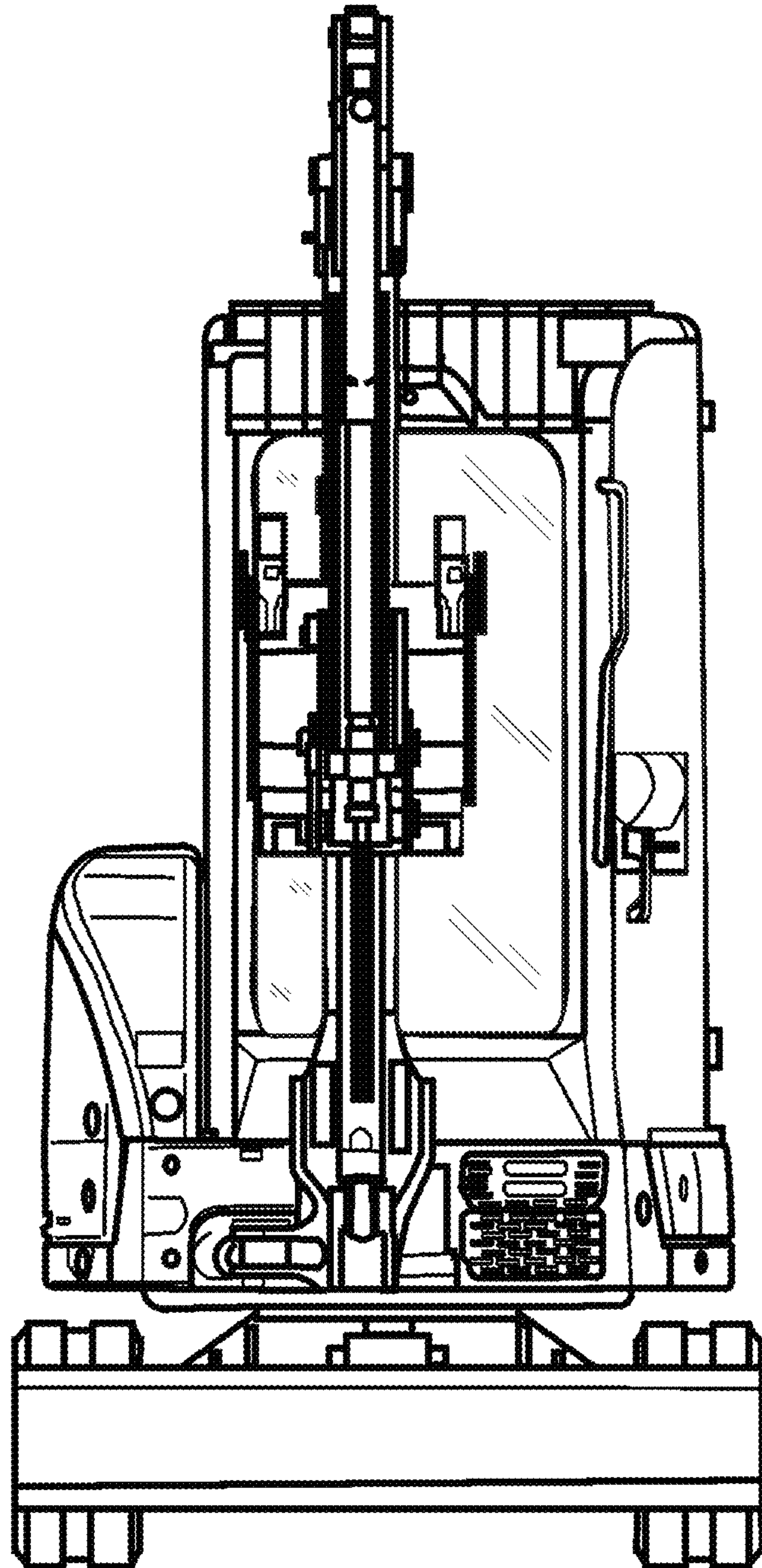


FIG. 9

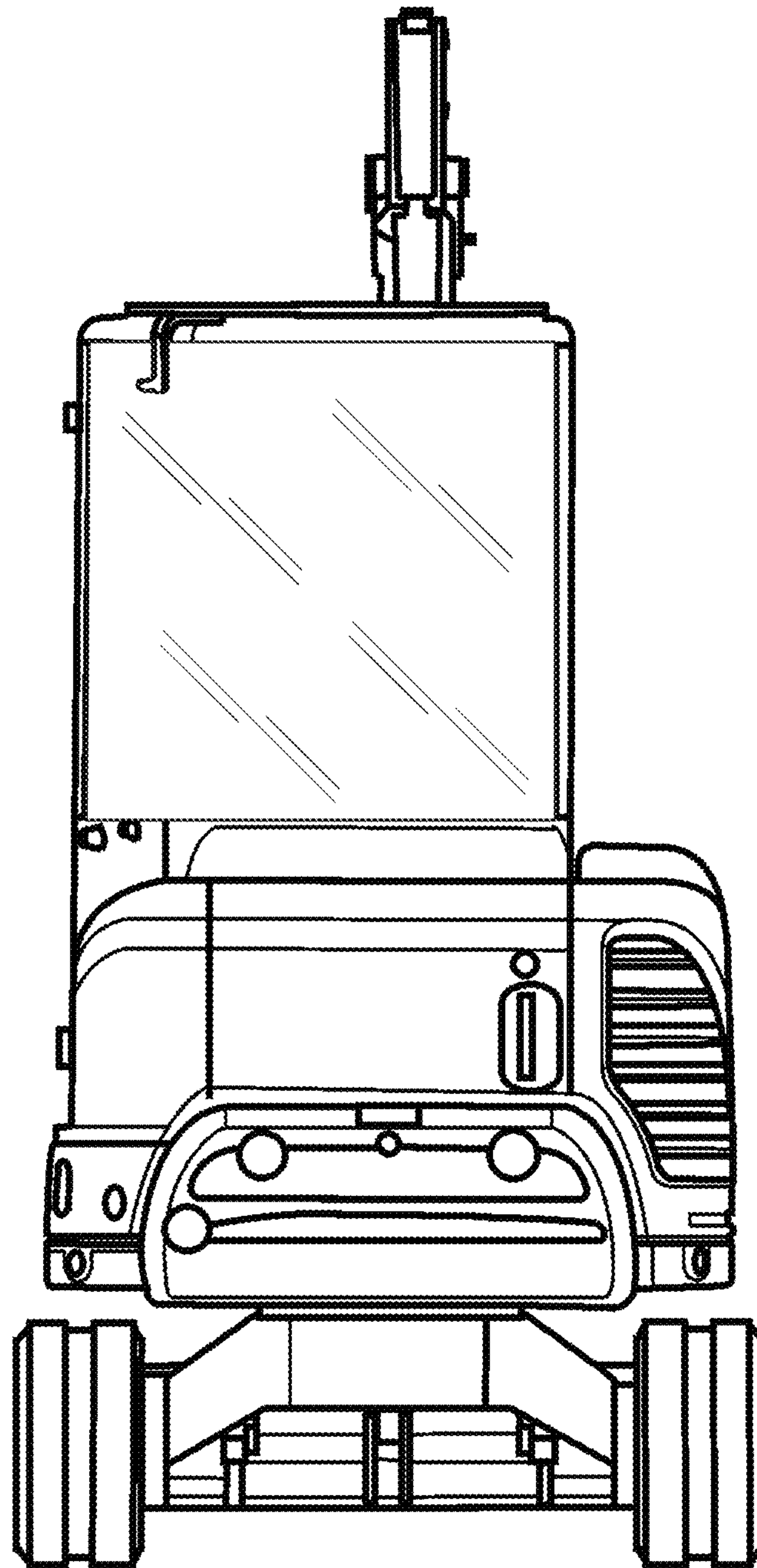


FIG. 10

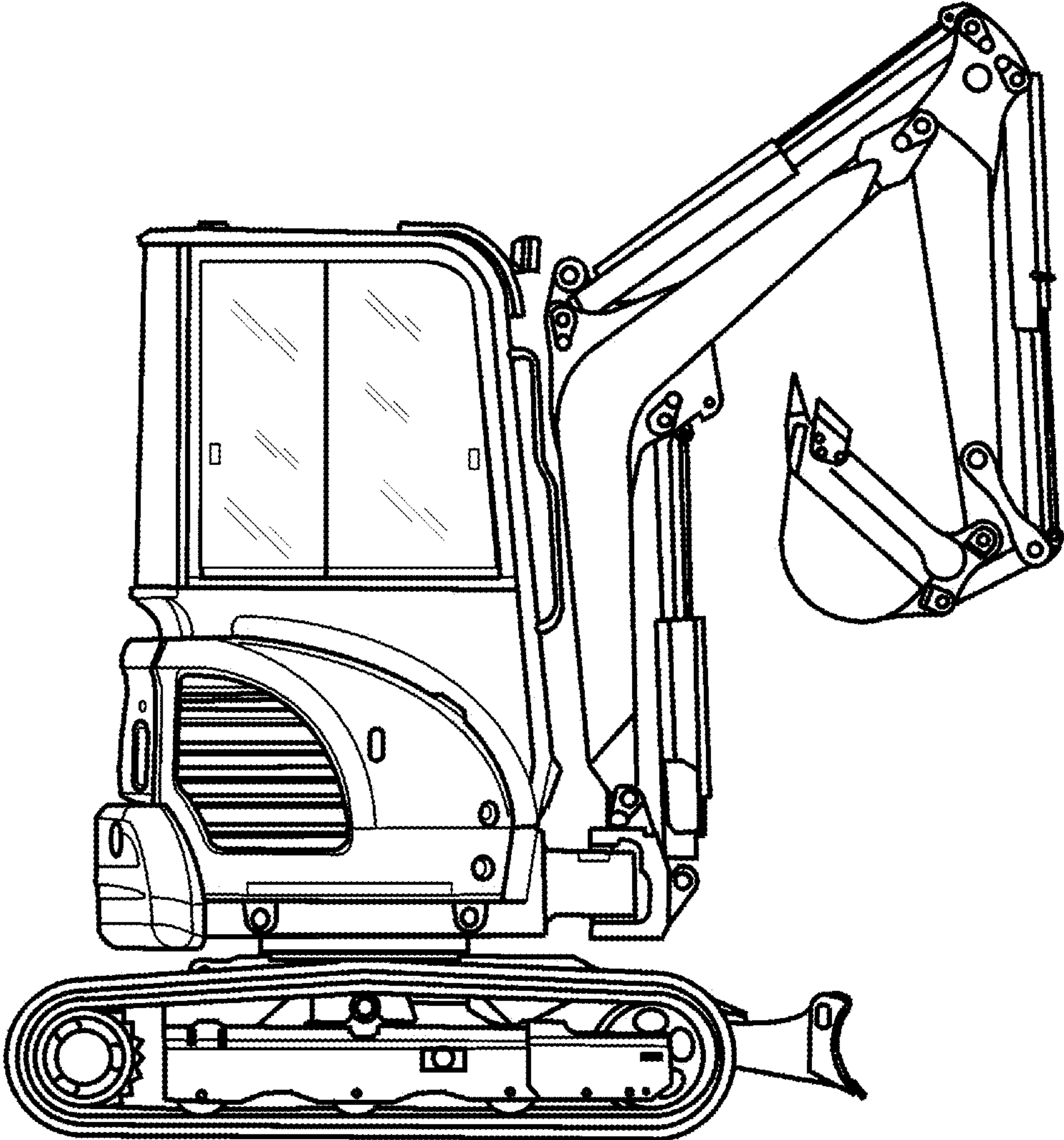


FIG. 11

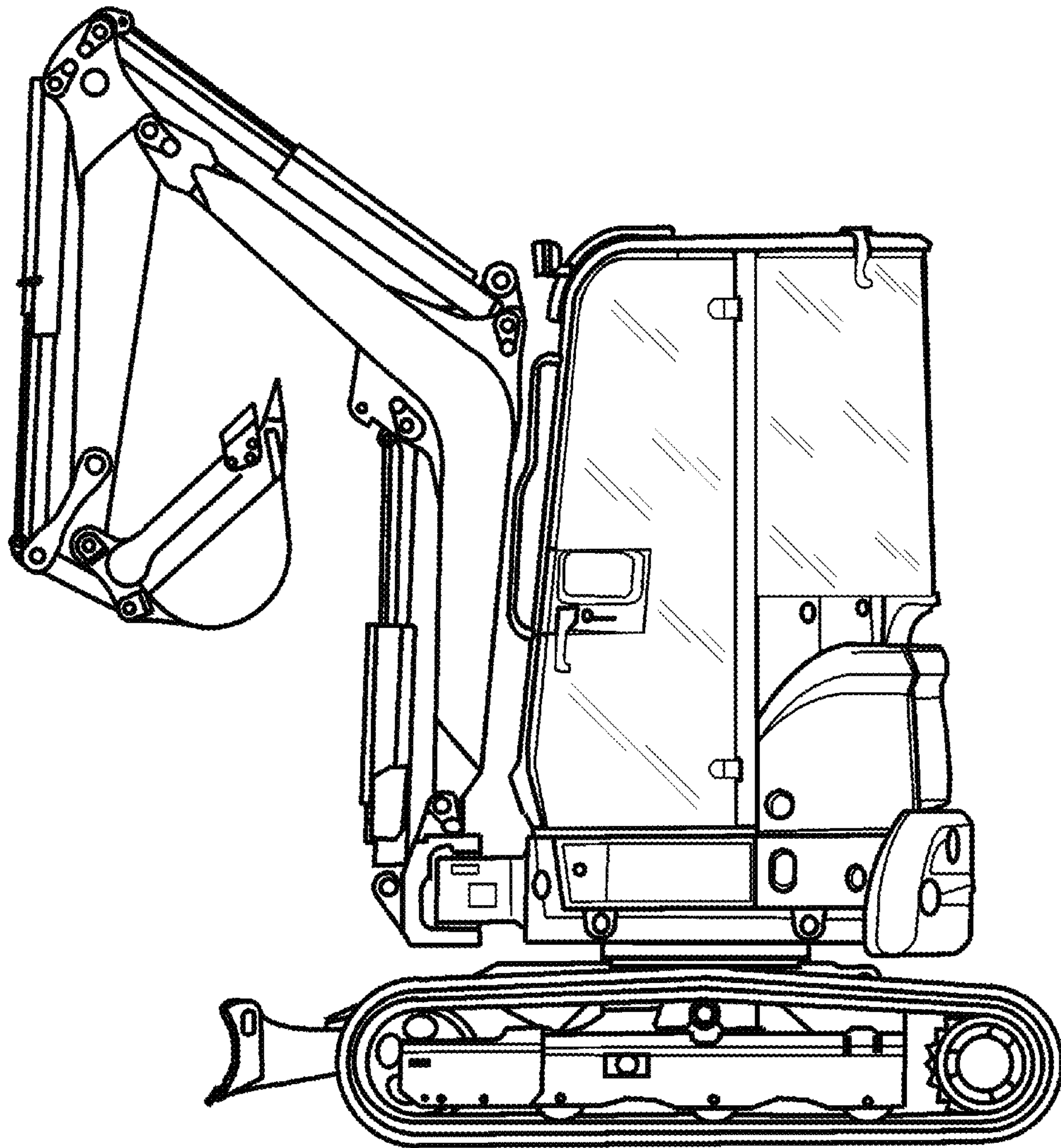


FIG. 12

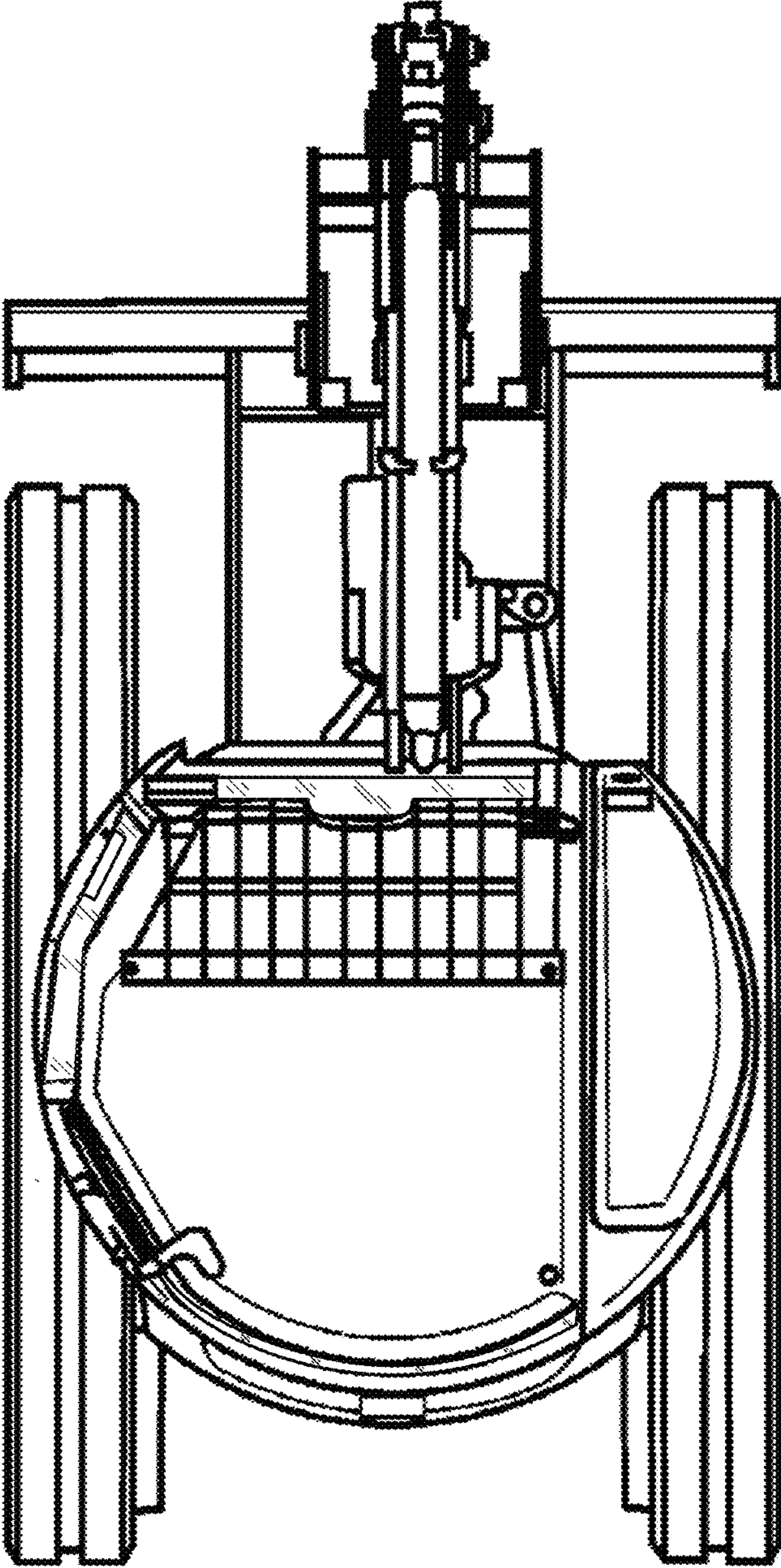


FIG. 13