



US00D725679S

(12) **United States Design Patent**
Charriere

(10) **Patent No.:** **US D725,679 S**
(45) **Date of Patent:** **** Mar. 31, 2015**

(54) **METERING PUMP**

(71) Applicant: **Dosatron International**, Tresses,
Bordeaux (FR)
(72) Inventor: **Christophe Charriere**, Camblanes et
Meynac (FR)
(73) Assignee: **Dosatron International**, Bordeaux (FR)

(**) Term: **14 Years**

(21) Appl. No.: **29/503,507**

(22) Filed: **Sep. 26, 2014**

(30) **Foreign Application Priority Data**

Apr. 9, 2014 (EM) 002444117-0001

(51) **LOC (10) Cl.** **15-02**

(52) **U.S. Cl.**
USPC **D15/7**

(58) **Field of Classification Search**
USPC D15/7-9; D23/231, 232; 417/410.1,
417/359, 415-416, 234, 321, 265, 405, 1,
417/63, 53, 393; D24/107, 108, 111
See application file for complete search history.

(56) **References Cited**

U.S. PATENT DOCUMENTS

D384,674 S	*	10/1997	Grolle et al.	D15/7
D401,944 S	*	12/1998	Campbell	D15/7
D440,231 S	*	4/2001	Craford et al.	D15/7
D555,089 S	*	11/2007	Lutz	D13/112
D649,164 S	*	11/2011	Cook	D15/7
D678,338 S	*	3/2013	O'Shea	D15/7
D691,178 S	*	10/2013	Lambinet	D15/7
D691,179 S		10/2013	Charriere	

* cited by examiner

Primary Examiner — Ralf Seifert

(74) *Attorney, Agent, or Firm* — Wenderoth, Lind & Ponack,
L.L.P.

(57) **CLAIM**

The ornamental design for a metering pump, as shown and described.

DESCRIPTION

The patent or application file contains at least one drawing executed in color. Copies of this patent or patent application publication with color drawing(s) will be Provided by the Office upon request and payment of the necessary fee.

FIG. 1 is a front view of a meter pump;
FIG. 2 is a back view thereof;
FIG. 3 is a top view thereof;
FIG. 4 is a bottom view thereof;
FIG. 5 is a right side view thereof; and,
FIG. 6 is a left side view thereof.

1 Claim, 6 Drawing Sheets
(6 of 6 Drawing Sheet(s) Filed in Color)

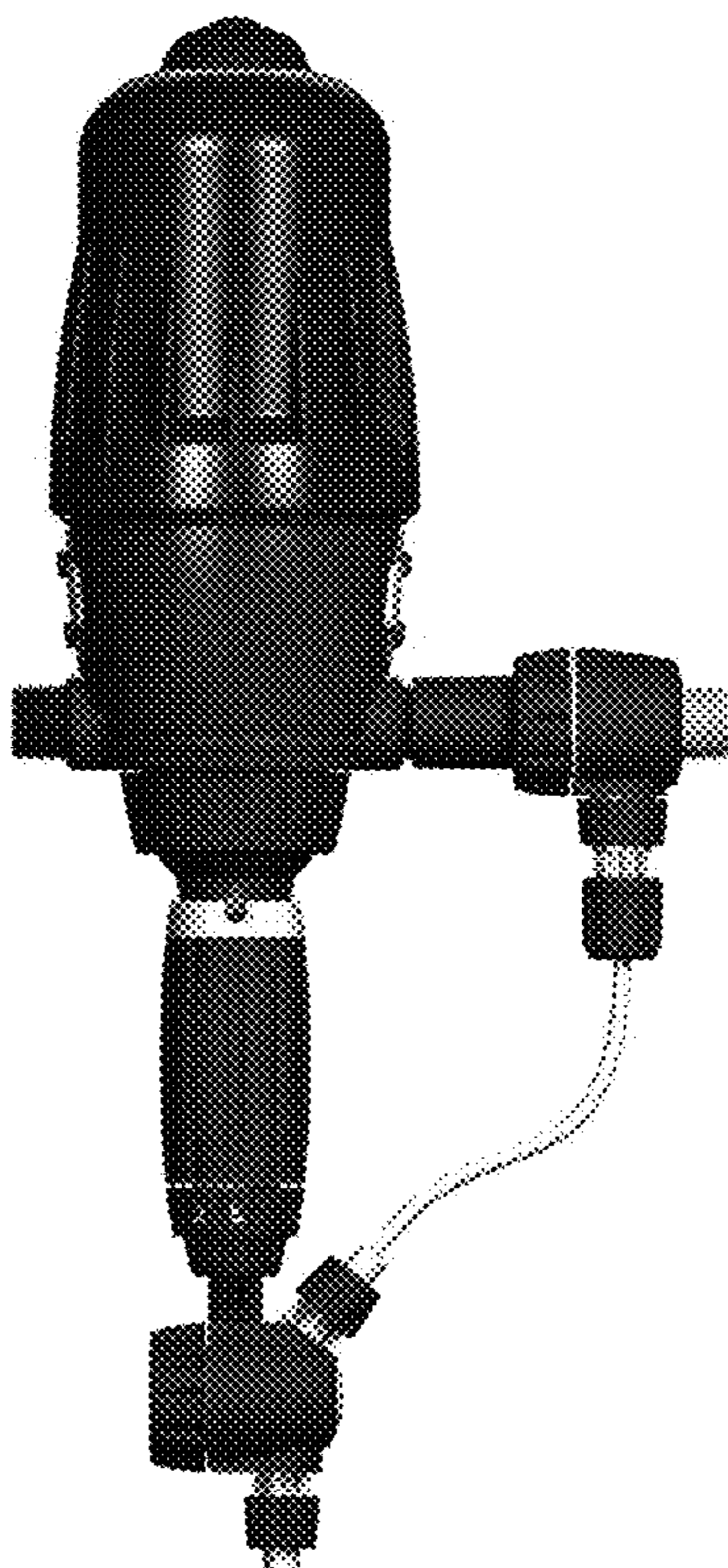


Fig. 1



Fig. 2



Fig. 3

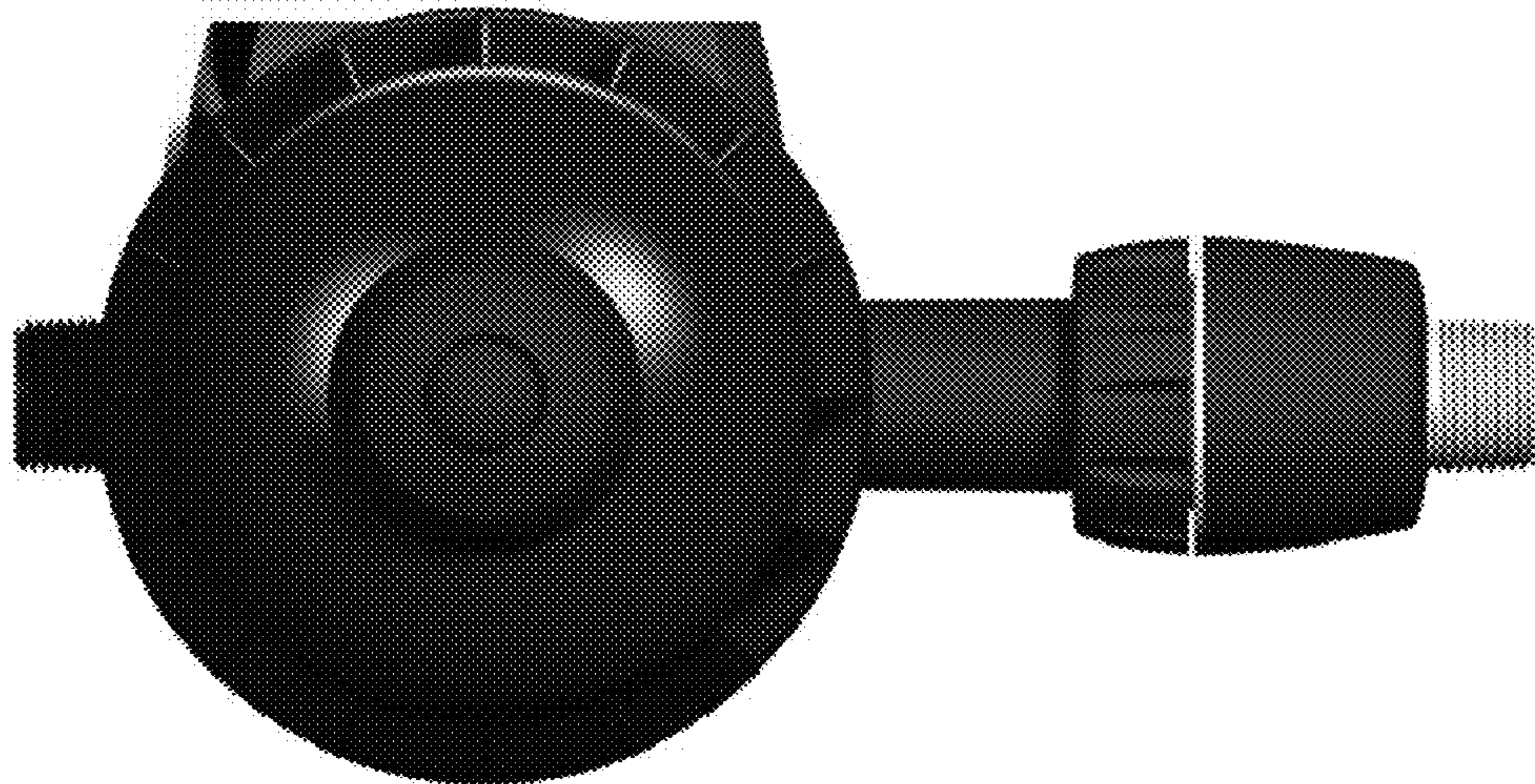


Fig. 4

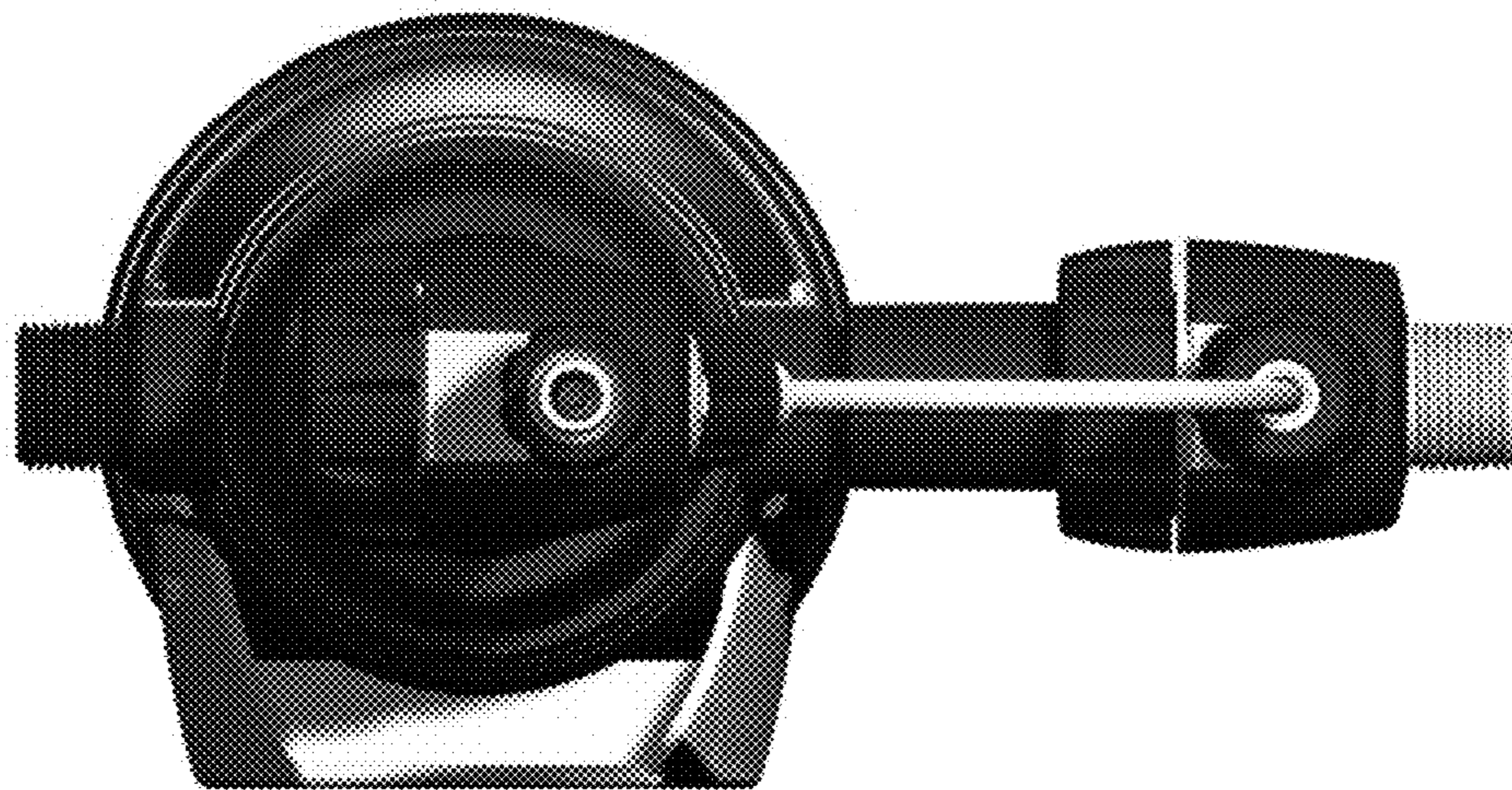


Fig. 5

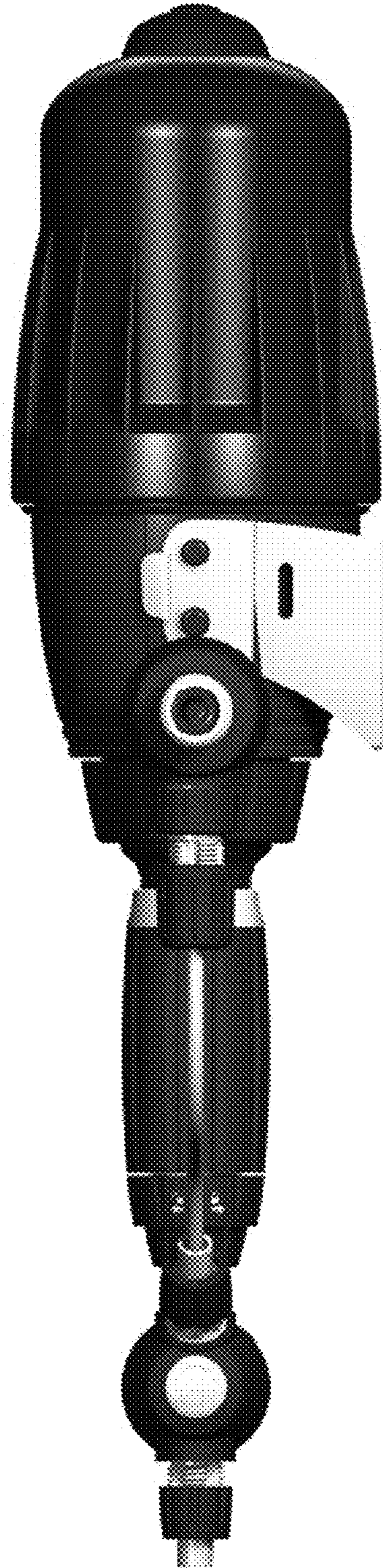


Fig. 6

