



US00D725661S

(12) **United States Design Patent**  
**Snyder et al.**

(10) **Patent No.:** **US D725,661 S**  
(45) **Date of Patent:** **\*\* Mar. 31, 2015**

(54) **STAND FOR TELEVISION MONITOR**

(56) **References Cited**

(71) Applicant: **Samsung Electronics Co., Ltd.**,  
Suwon-si (KR)  
(72) Inventors: **Dan Snyder**, San Francisco, CA (US);  
**Liam Adelman**, San Francisco, CA  
(US); **Noah Murphy-Reinhertz**, San  
Francisco, CA (US); **Yves Behar**, San  
Francisco, CA (US); **Dong Hee Won**,  
Seoul (KR)  
(73) Assignee: **Samsung Electronics Co., Ltd.**,  
Suwon-si (KR)

U.S. PATENT DOCUMENTS

D499,907 S	*	12/2004	Zarelius .....	D6/495
D670,257 S	*	11/2012	Yang et al. ....	D14/126
D671,540 S	*	11/2012	Yukawa et al. ....	D14/336
D680,106 S	*	4/2013	Hwangbo et al. ....	D14/239
D695,245 S	*	12/2013	Hara et al. ....	D14/126
D698,794 S	*	2/2014	Li .....	D14/451
D698,795 S	*	2/2014	Chang .....	D14/451
D700,170 S	*	2/2014	Choi et al. ....	D14/239
D705,200 S	*	5/2014	Choi .....	D14/239
D708,157 S	*	7/2014	Park .....	D14/126
D708,596 S	*	7/2014	Park .....	D14/126
D711,333 S	*	8/2014	Kim .....	D14/126
D712,366 S	*	9/2014	Kim et al. ....	D14/126
D714,757 S	*	10/2014	Lee et al. ....	D14/209.1

(\*\*) Term: **14 Years**

\* cited by examiner

(21) Appl. No.: **29/467,920**

*Primary Examiner* — Deanna L Pratt

*Assistant Examiner* — Katie Mroczka

(22) Filed: **Sep. 25, 2013**

(74) *Attorney, Agent, or Firm* — NSIP Law

(30) **Foreign Application Priority Data**

(57) **CLAIM**

The ornamental design for a stand for television monitor, as shown and described.

Mar. 25, 2013 (KR) ..... 30-2013-0015155

**DESCRIPTION**

(51) **LOC (10) Cl.** ..... **08-07**

(52) **U.S. Cl.**

USPC ..... **D14/451**

(58) **Field of Classification Search**

CPC ..... H03M 1/00; H03M 2201/4135; G06F  
3/0412; G02F 1/13338; H04N 17/00; H04N  
17/004; H04N 17/04

USPC ..... D14/211, 238, 251, 253, 371–382,  
D14/125–129, 336, 337, 447, 448, 451, 452,  
D14/492, 450, 239; 341/12; 345/104, 156,  
345/168, 173; 348/180, 184, 325, 739;  
349/1, 2, 11, 62; 361/679.05–679.07,  
361/679.21; D6/300, 310–313, 308, 708

See application file for complete search history.

FIG. 1 is a front perspective view of a stand for television monitor showing our new design;  
FIG. 2 is a front view thereof;  
FIG. 3 is a rear view thereof;  
FIG. 4 is a left-side view thereof;  
FIG. 5 is a right-side view thereof;  
FIG. 6 is a top view thereof;  
FIG. 7 is a bottom view thereof; and,  
FIG. 8 is another perspective view in which a television receiver is provided in broken lines to illustrate an example environment.  
The broken lines are for environmental purposes only and form no part of the claimed design.

**1 Claim, 8 Drawing Sheets**

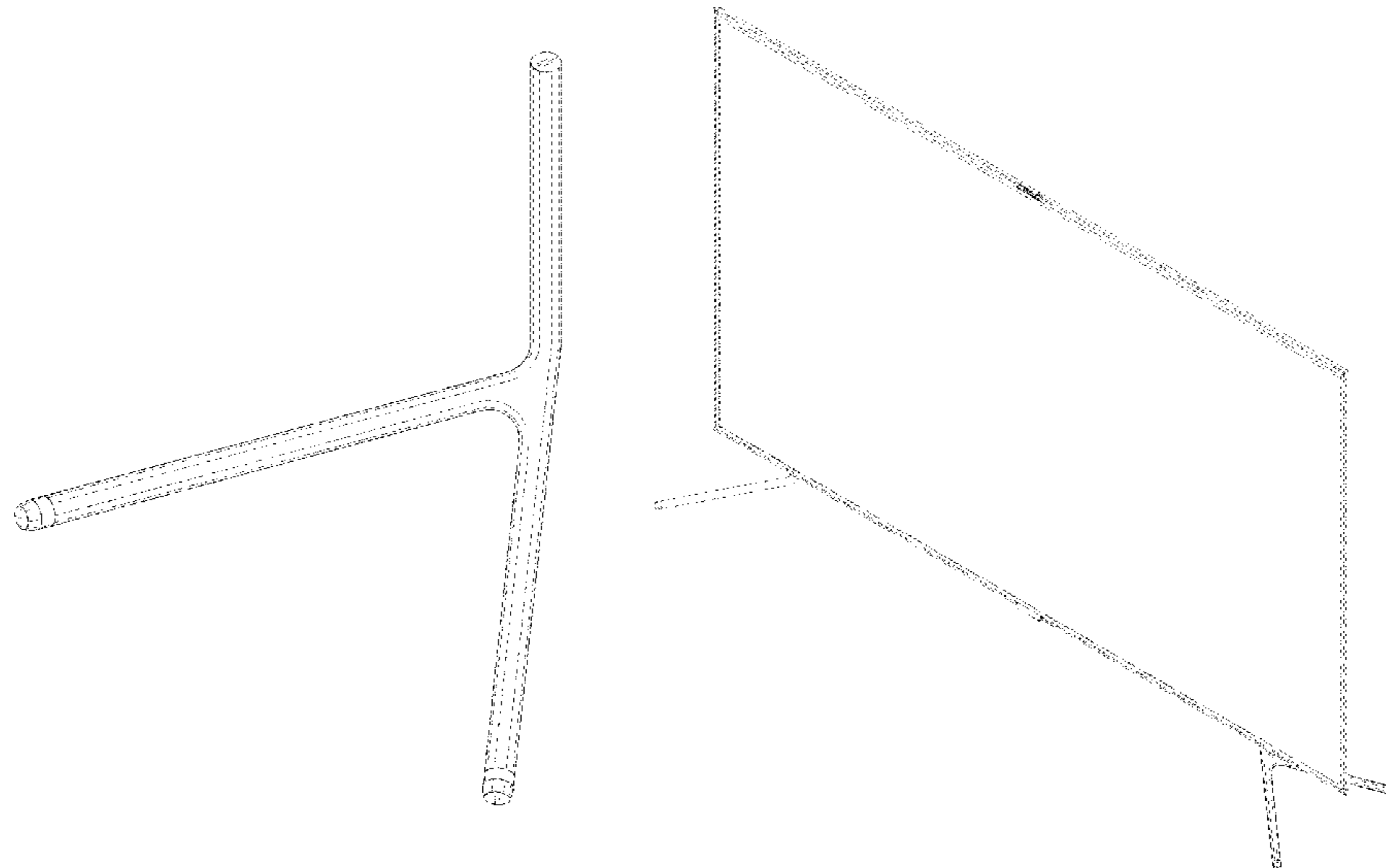
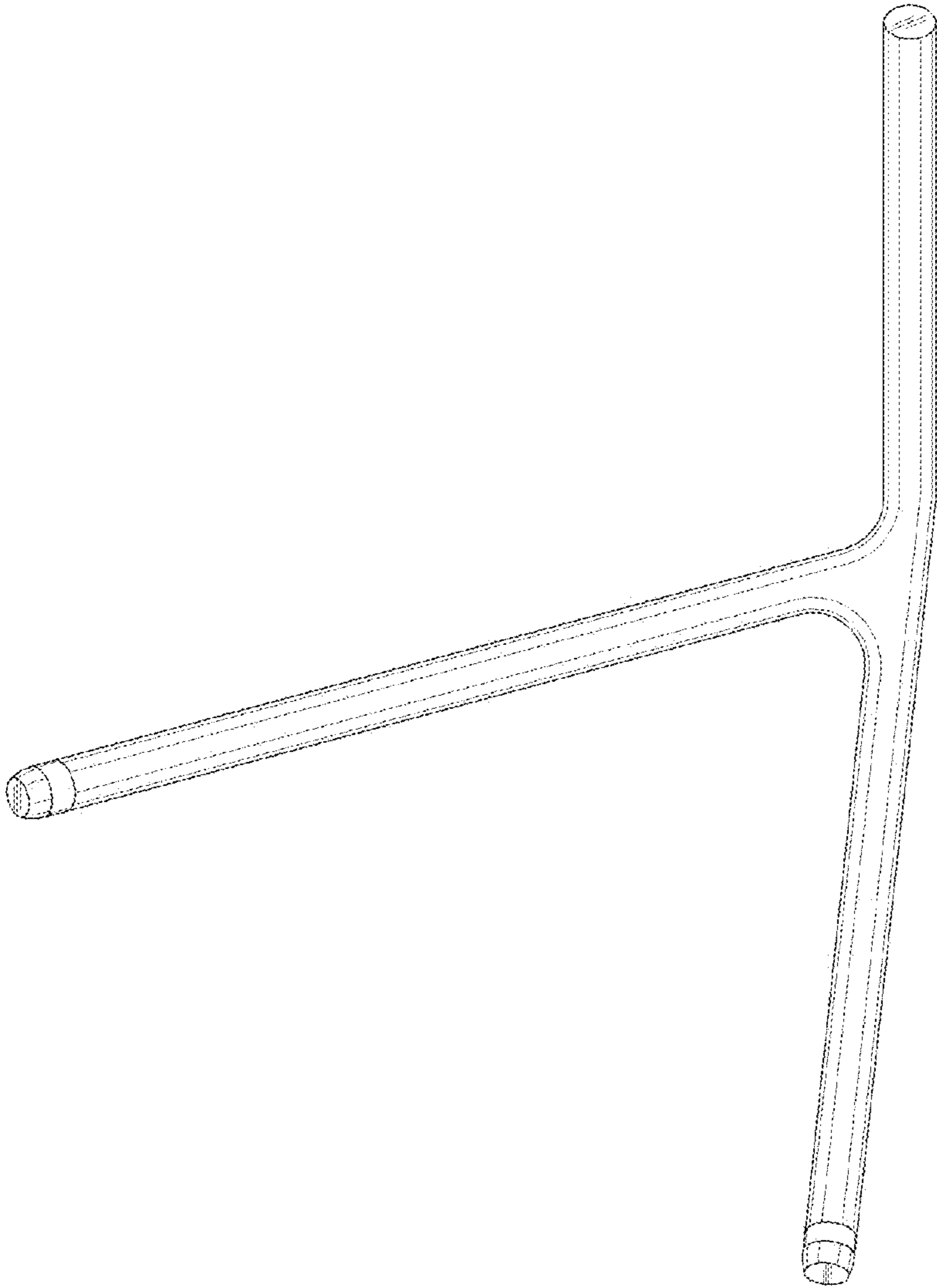
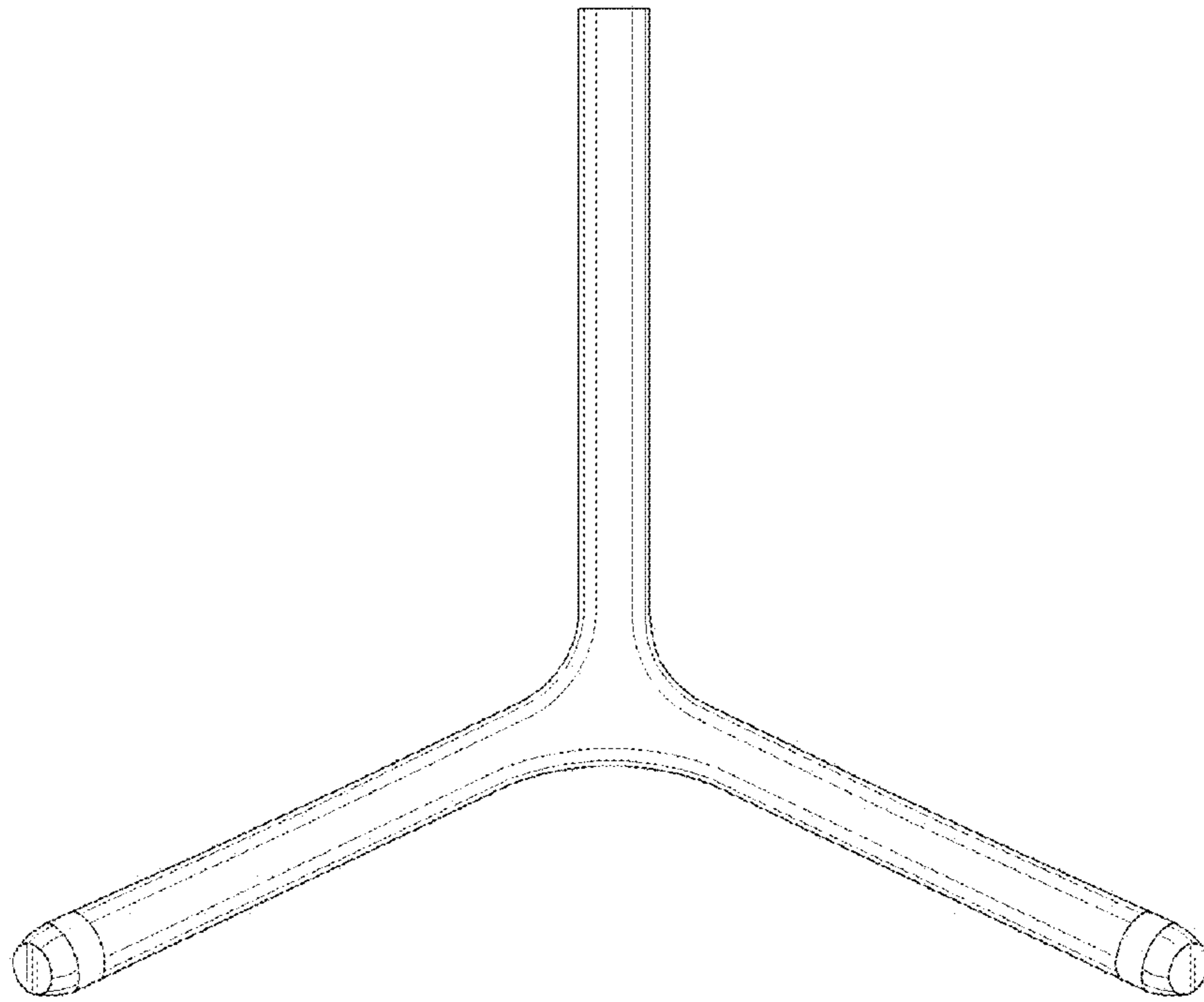


FIG. 1



**FIG. 2**



**FIG. 3**

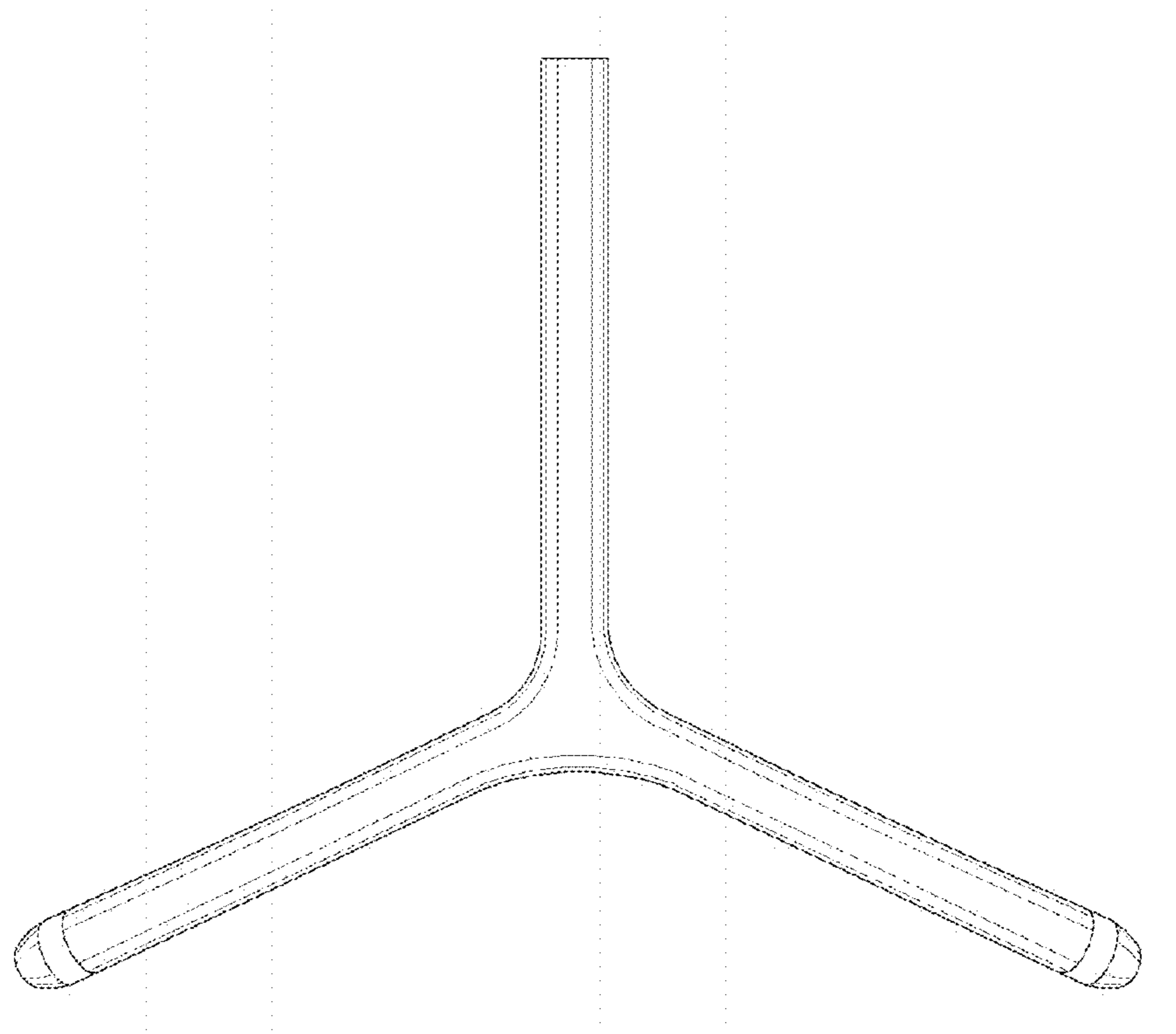


FIG. 4

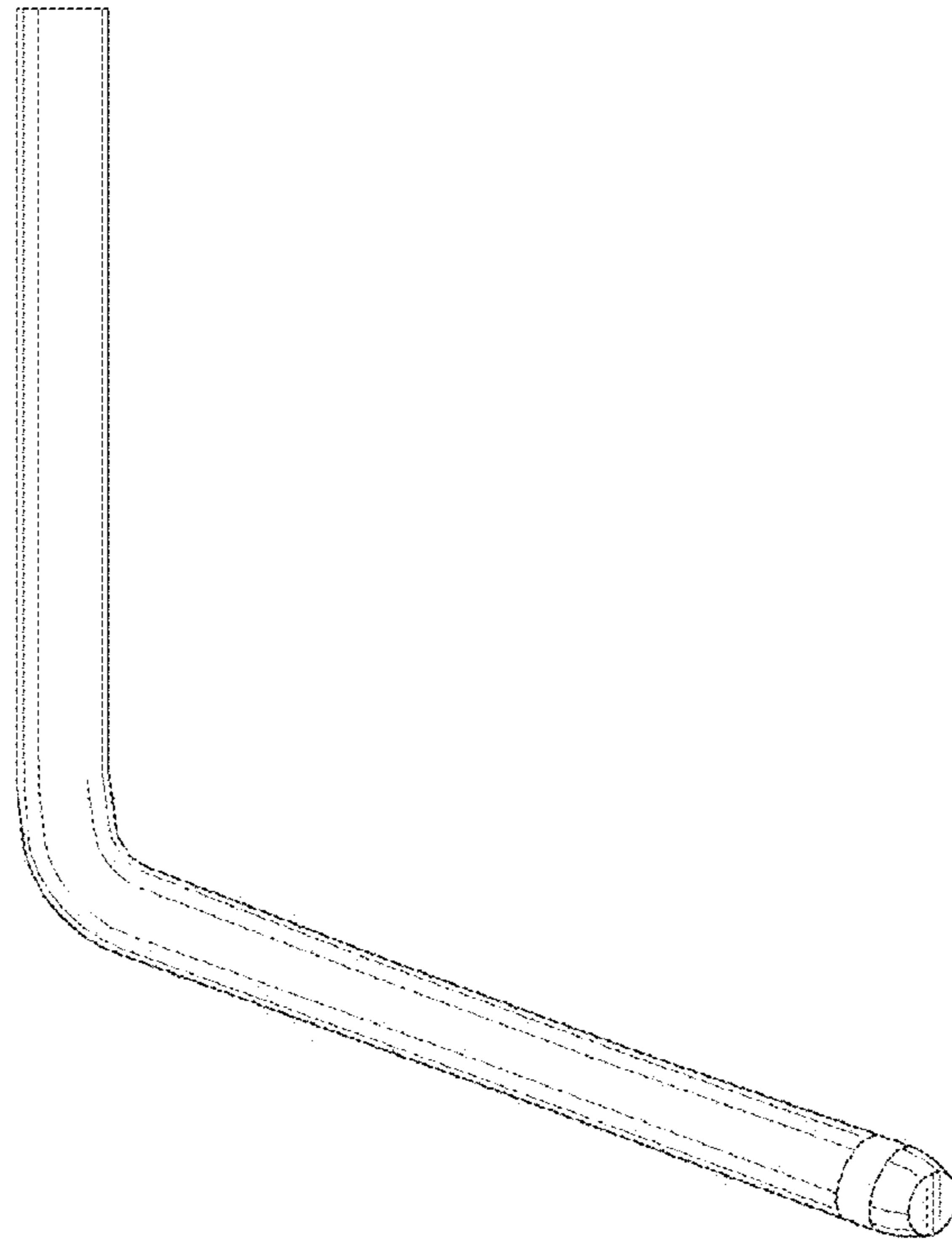


FIG. 5

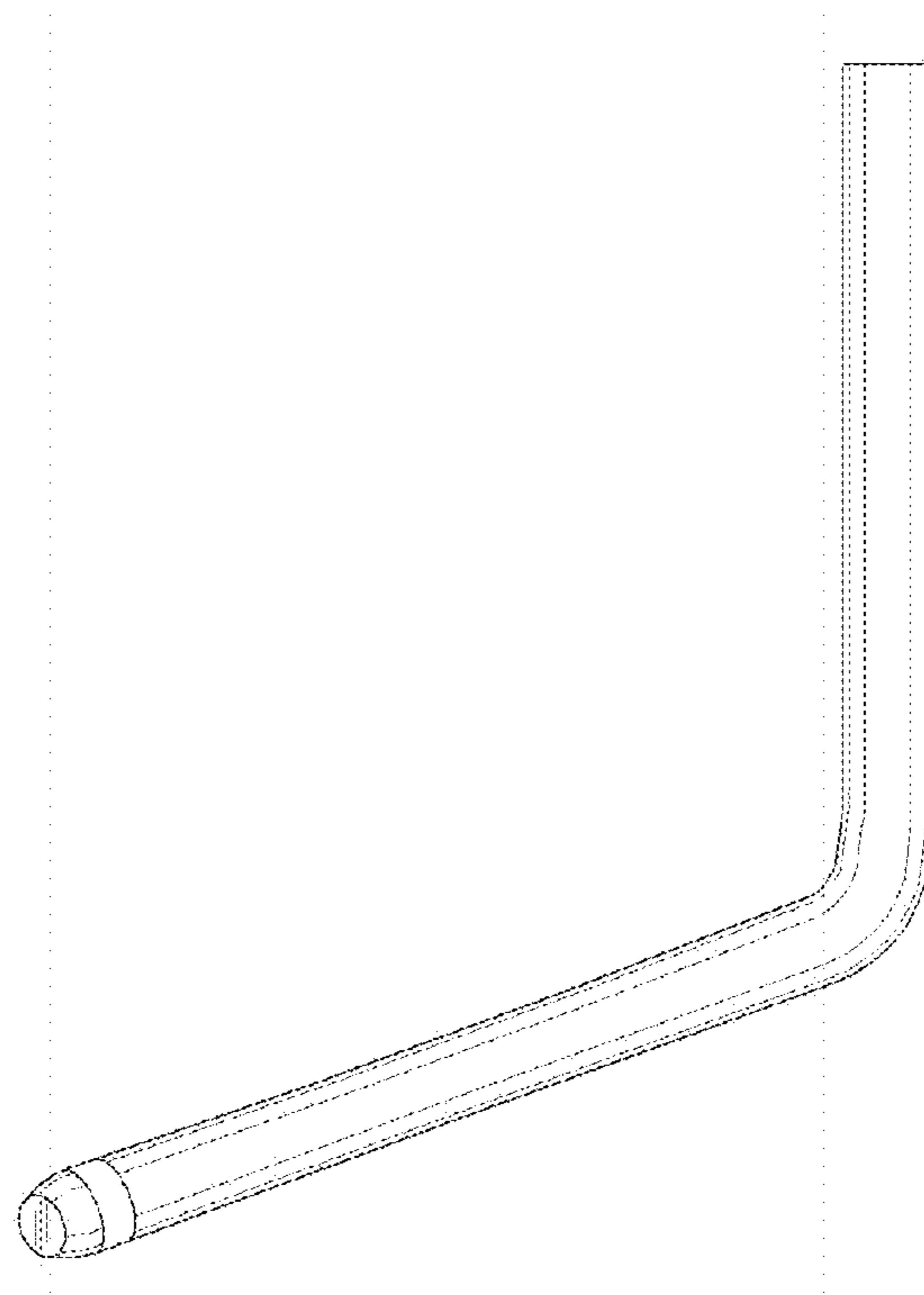
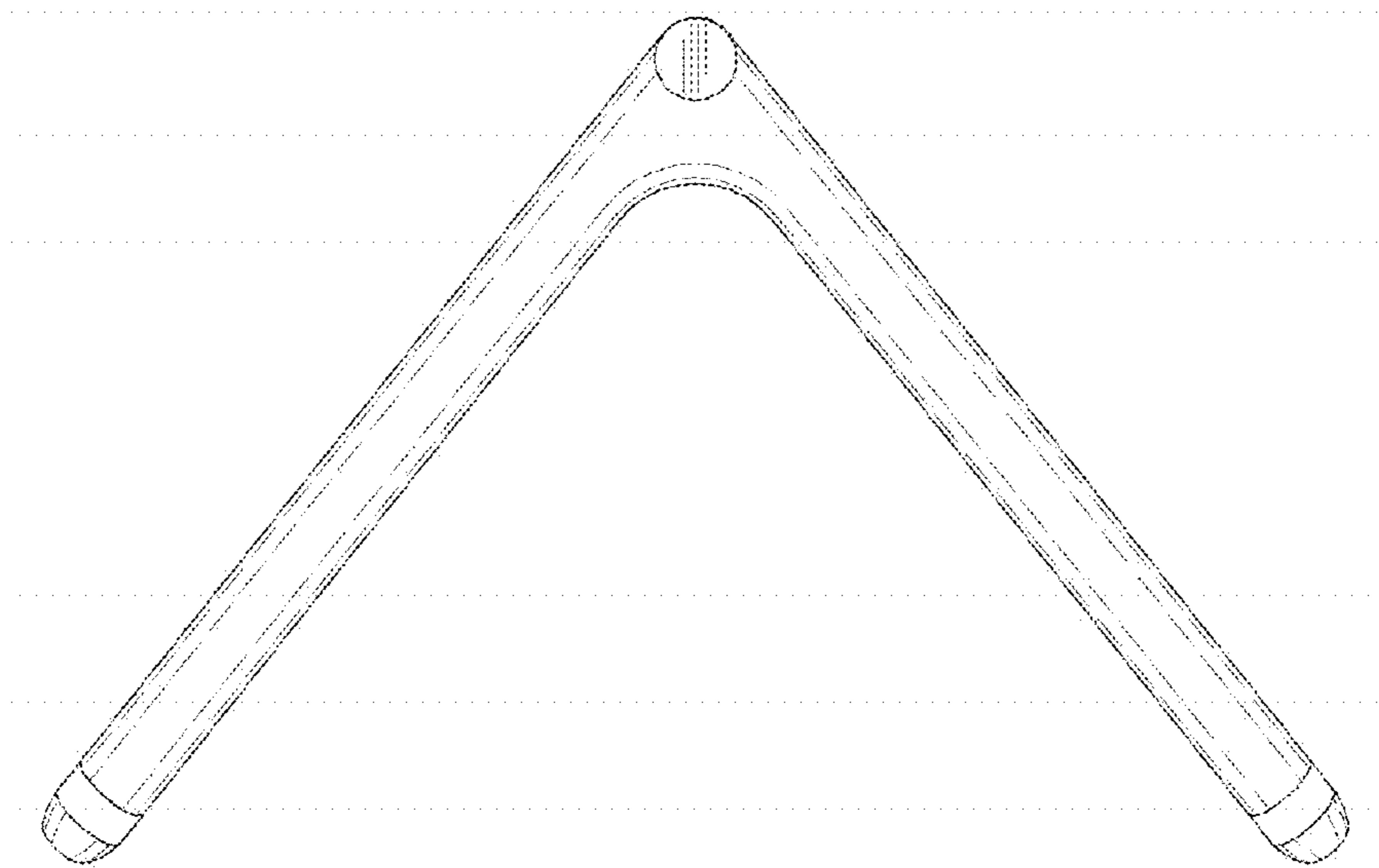


FIG. 6



**FIG. 7**

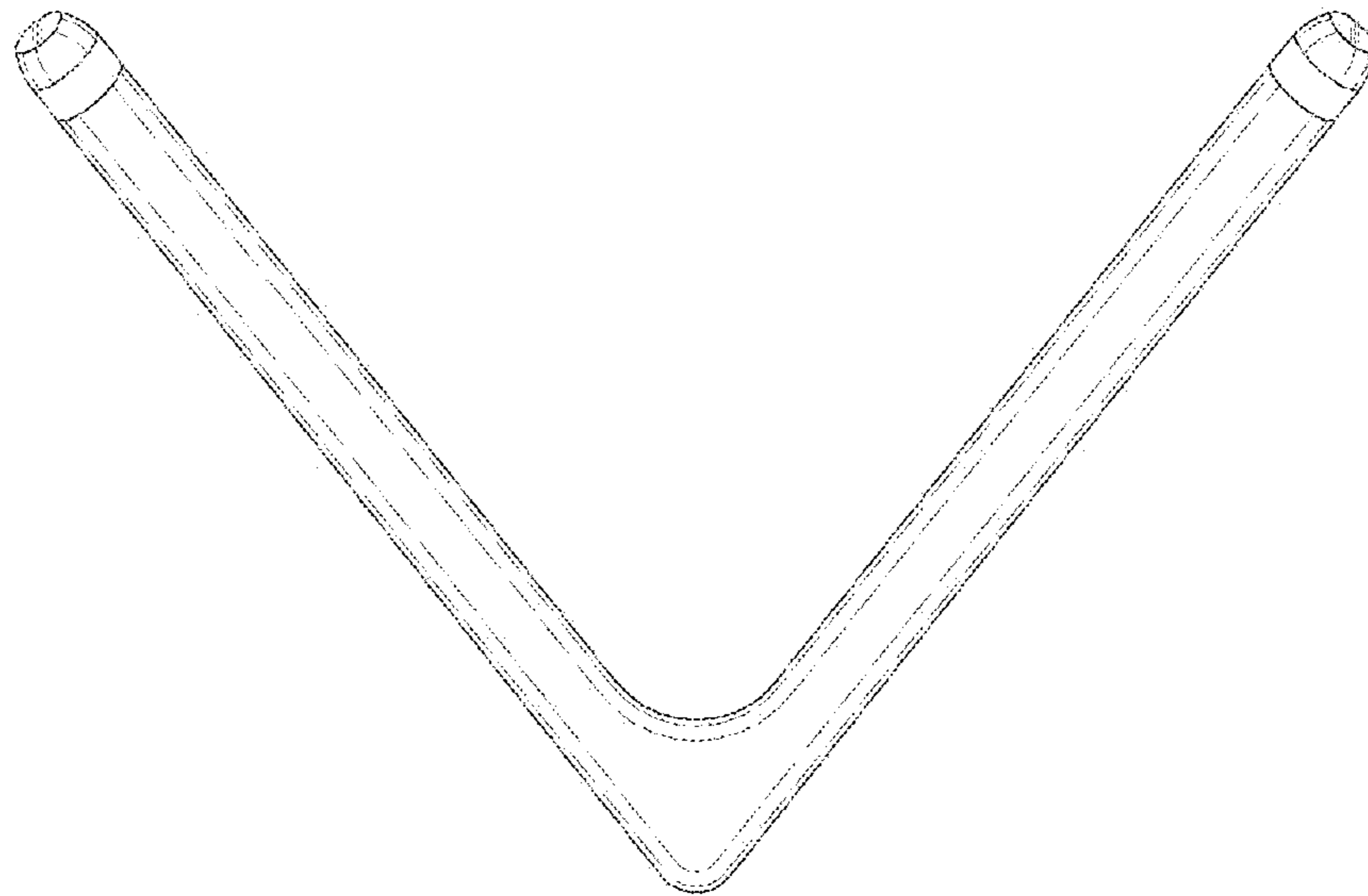




FIG. 8

