



US00D725658S

(12) **United States Design Patent**  
**Stevenson et al.**

(10) **Patent No.:** **US D725,658 S**  
(45) **Date of Patent:** **\*\* Mar. 31, 2015**

(54) **DOCKING STATION FOR ELECTRONIC DEVICE**

(71) Applicant: **Samsung Electronics Co., Ltd.**,  
Suwon-si, Gyeonggi-do (KR)

(72) Inventors: **Robert Stevenson**, London (GB);  
**Michael David**, Surrey (GB);  
**Hyun-Taik Lim**, Surrey (GB)

(73) Assignee: **Samsung Electronics Co., Ltd.** (KR)

(\*\*) Term: **14 Years**

(21) Appl. No.: **29/466,231**

(22) Filed: **Sep. 5, 2013**

(30) **Foreign Application Priority Data**

Mar. 28, 2013 (KR) ..... 30-2013-0015779

(51) **LOC (10) Cl.** ..... **14-02**

(52) **U.S. Cl.**  
USPC ..... **D14/434**

(58) **Field of Classification Search**  
CPC ..... F16M 11/10  
USPC ..... D14/217, 432, 434; D8/373; D13/107,  
D13/108, 146; 248/176.1; 320/109,  
320/112-115; 361/679.4, 679.31-679.33,  
361/679.41, 679.43, 679.55; 455/557;  
710/15, 303

See application file for complete search history.

(56) **References Cited**

U.S. PATENT DOCUMENTS

|              |      |         |                        |         |
|--------------|------|---------|------------------------|---------|
| 7,620,176    | B2 * | 11/2009 | Gullickson et al. .... | 379/455 |
| D642,121     | S *  | 7/2011  | Lee et al. ....        | D13/108 |
| D642,519     | S *  | 8/2011  | Woo et al. ....        | D13/108 |
| D664,958     | S *  | 8/2012  | McManigal ....         | D14/434 |
| D676,832     | S *  | 2/2013  | Akana et al. ....      | D14/217 |
| 2001/0022719 | A1 * | 9/2001  | Armitage et al. ....   | 361/681 |

\* cited by examiner

*Primary Examiner* — Freda S Nunn

(74) *Attorney, Agent, or Firm* — Cantor Colburn LLP

(57) **CLAIM**

The ornamental design for a docking station for electronic device, as shown and described.

**DESCRIPTION**

FIG. 1 is a perspective view of a docking station for electronic device, showing our new design;  
FIG. 2 is a front view thereof;  
FIG. 3 is a rear view thereof;  
FIG. 4 is a side view thereof;  
FIG. 5 is another side view thereof;  
FIG. 6 is a top plan view thereof;  
FIG. 7 is a bottom plan view thereof;  
FIG. 8 is another perspective view thereof as shown in a monitor environment; and,  
FIG. 9 is another perspective view thereof as shown in a monitor environment.  
The broken lines are for environmental purpose only and form no part of the claimed design.  
The shade lines in the figures show contour and not surface ornamentation.

**1 Claim, 9 Drawing Sheets**

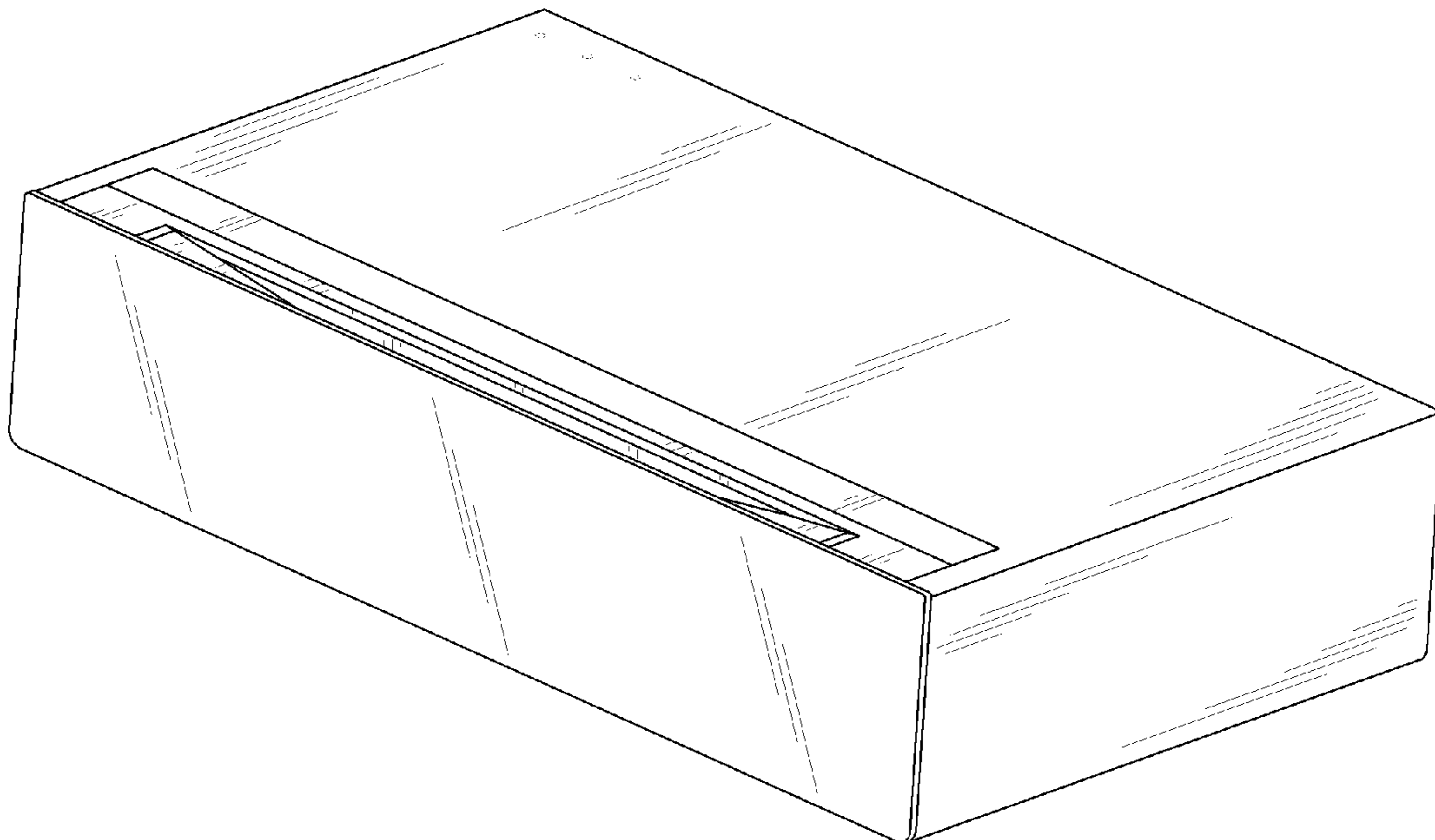


FIG. 1

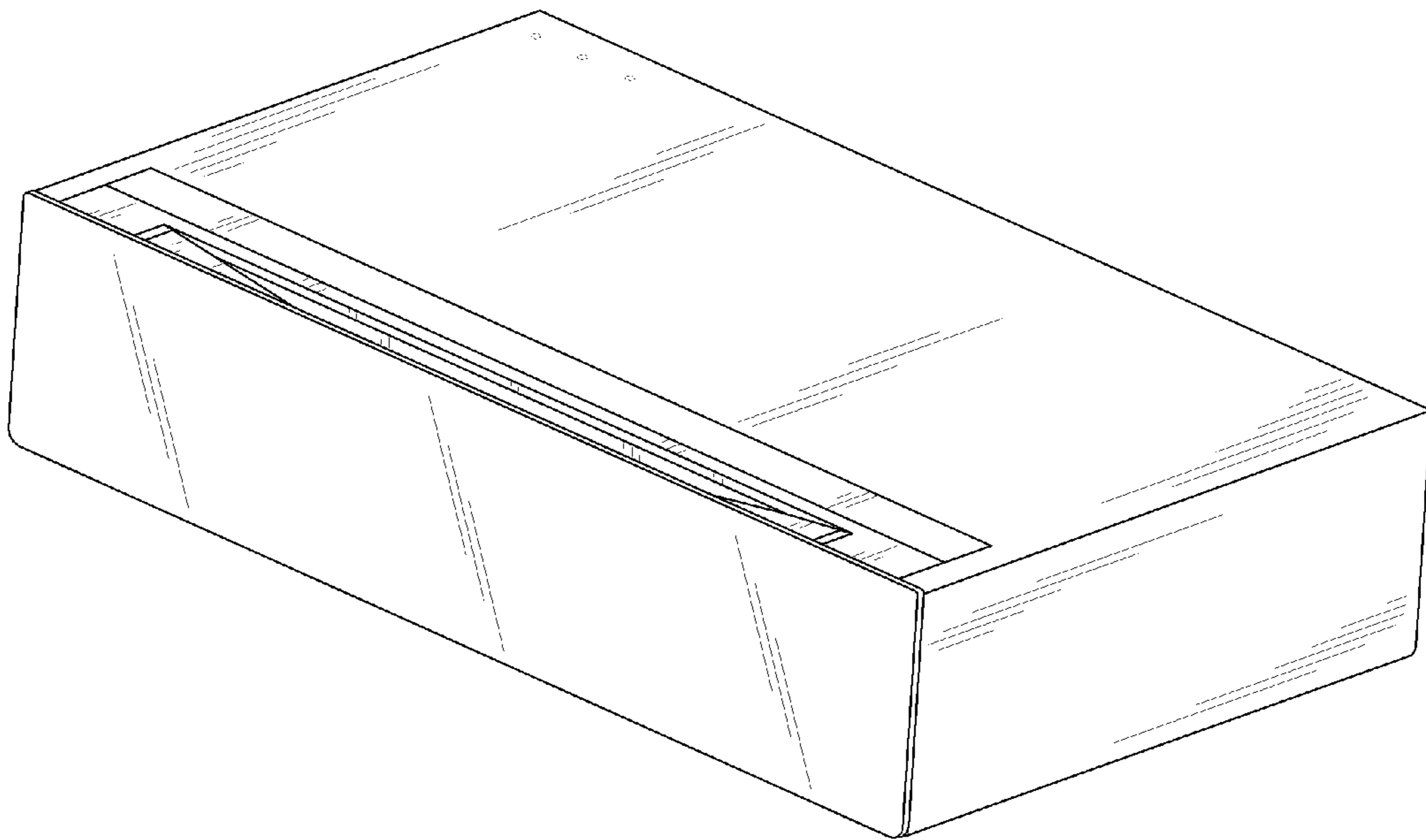


FIG. 2

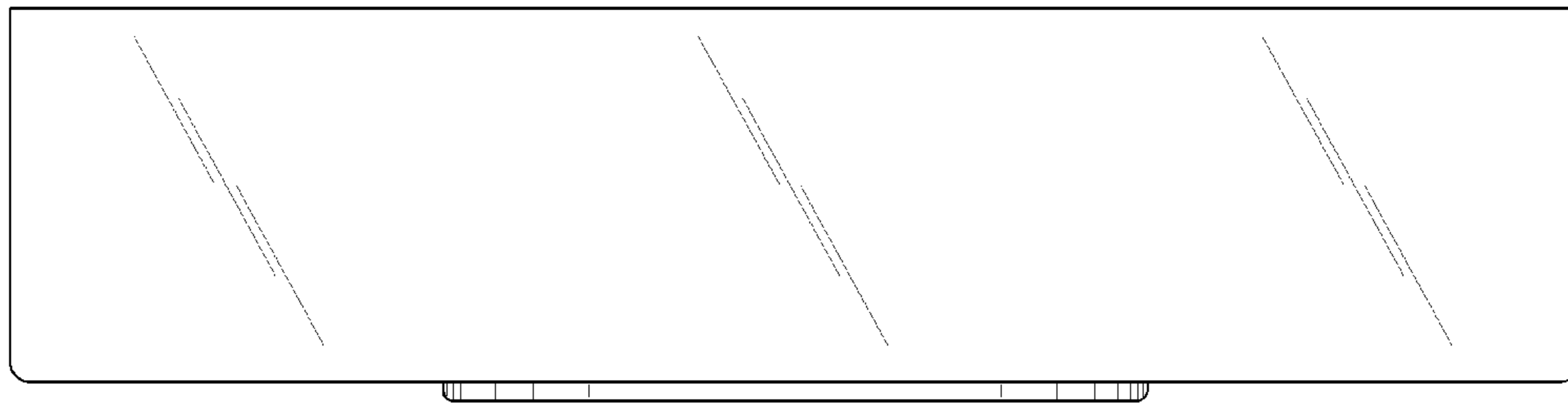


FIG. 3

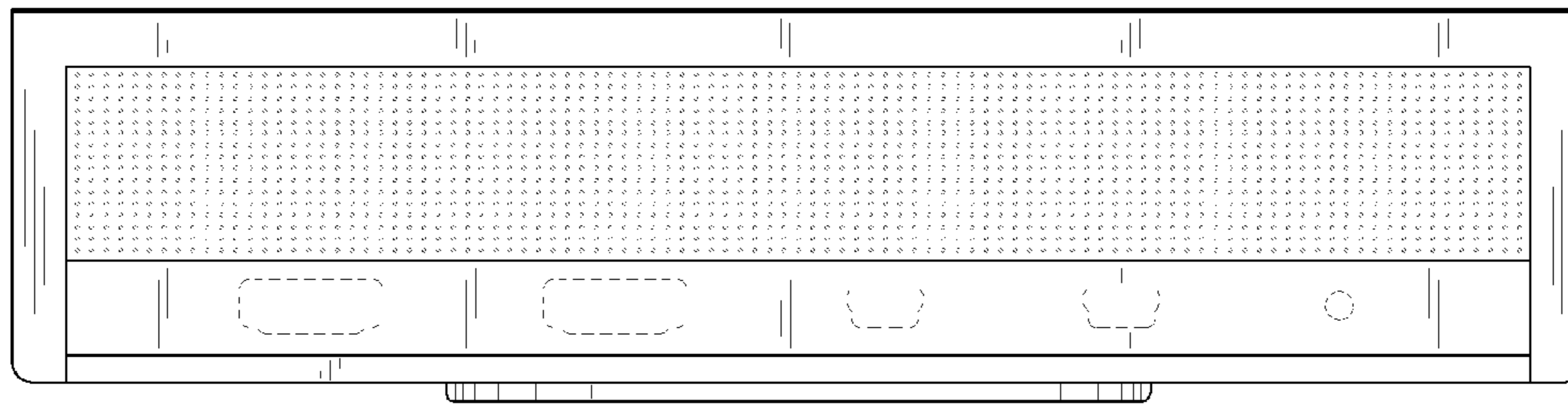


FIG. 4

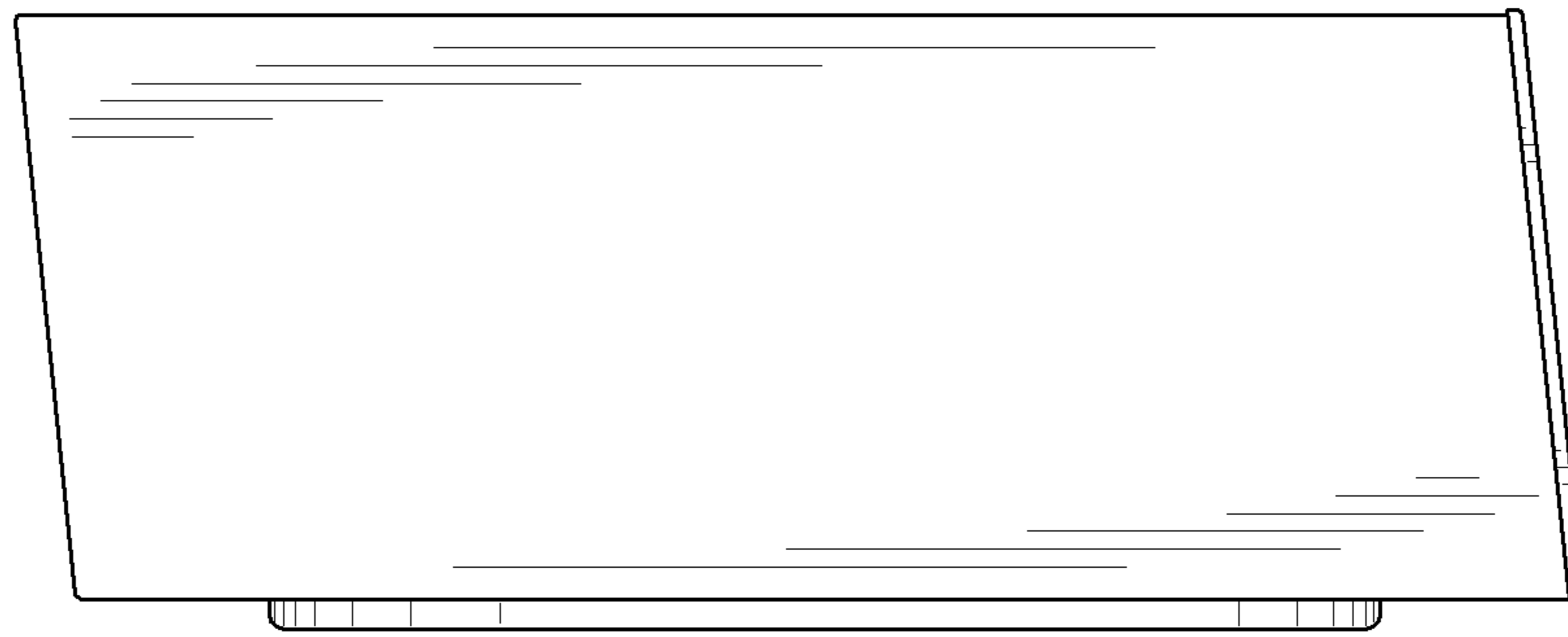


FIG. 5

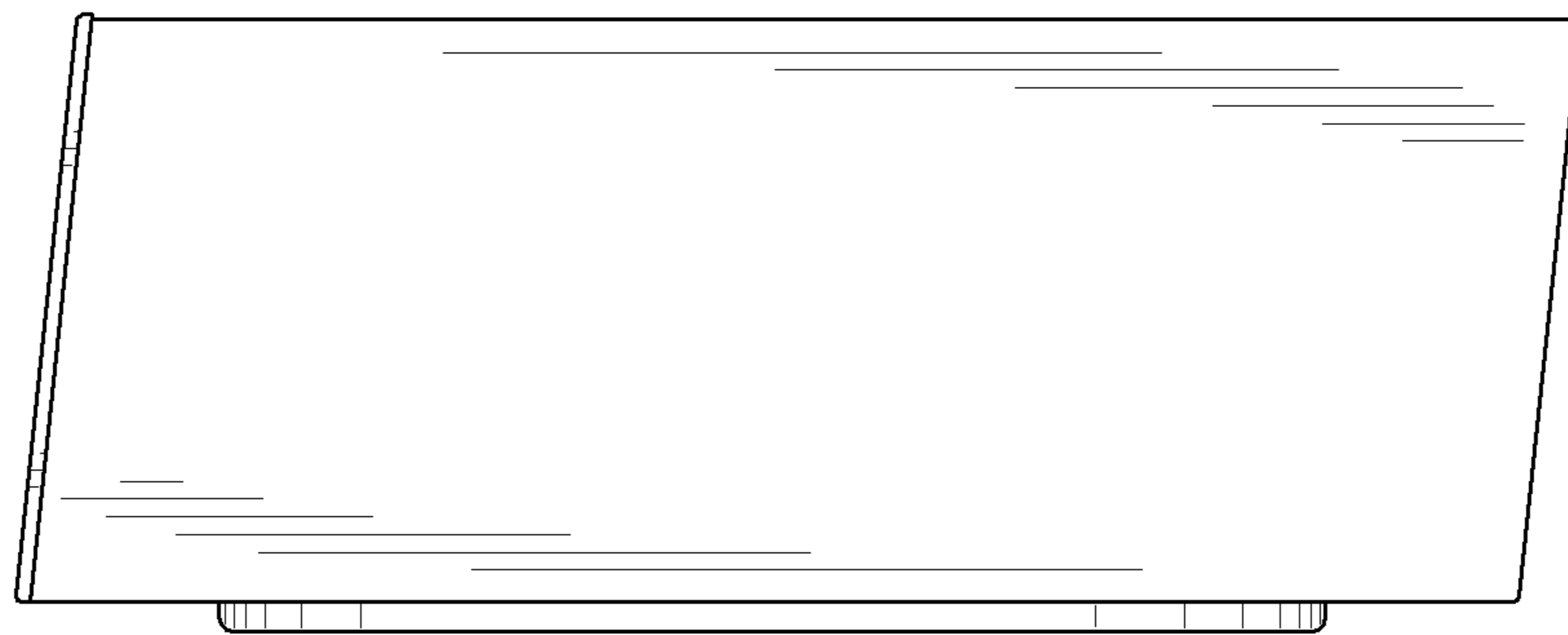


FIG. 6

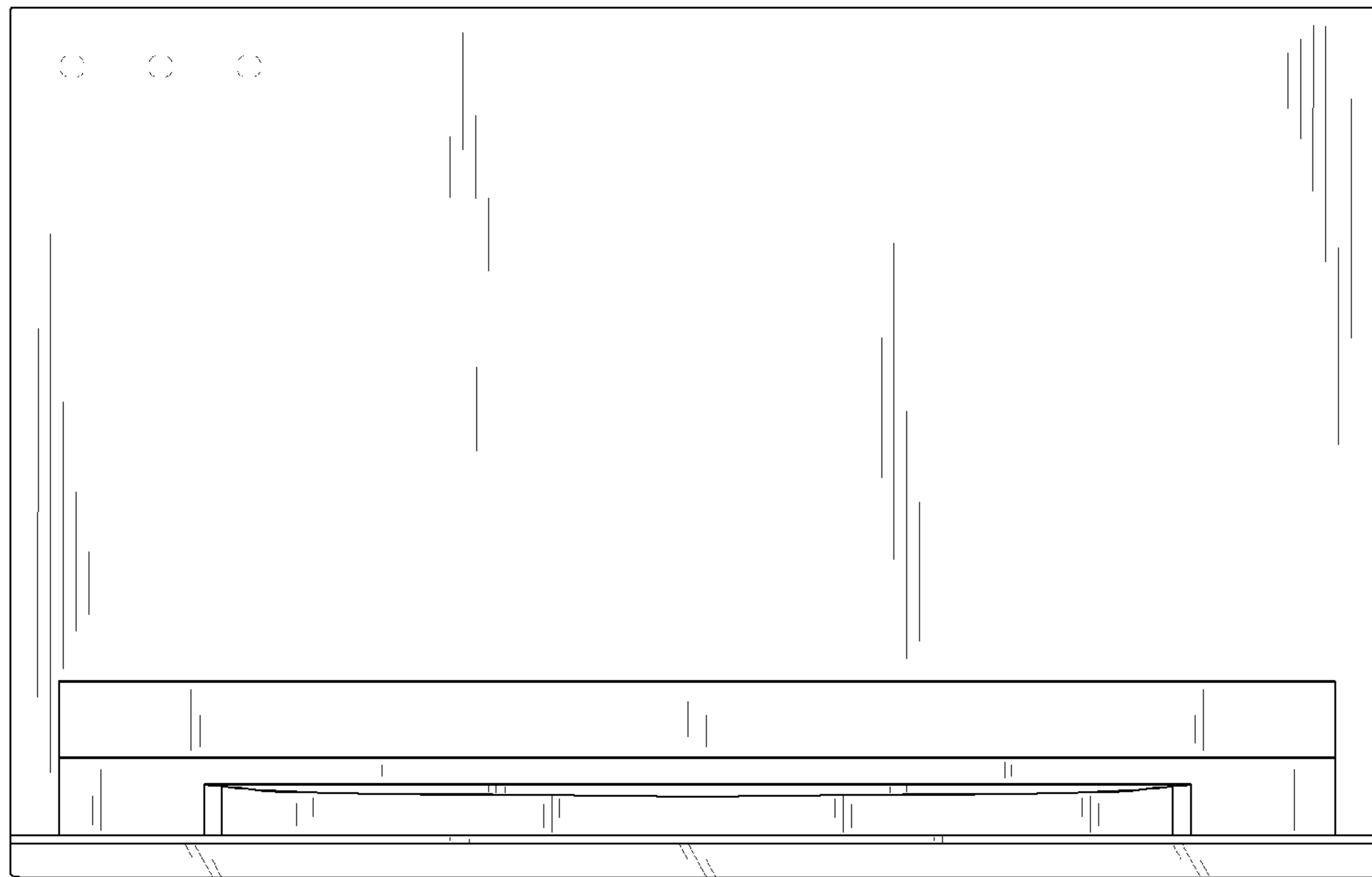


FIG. 7

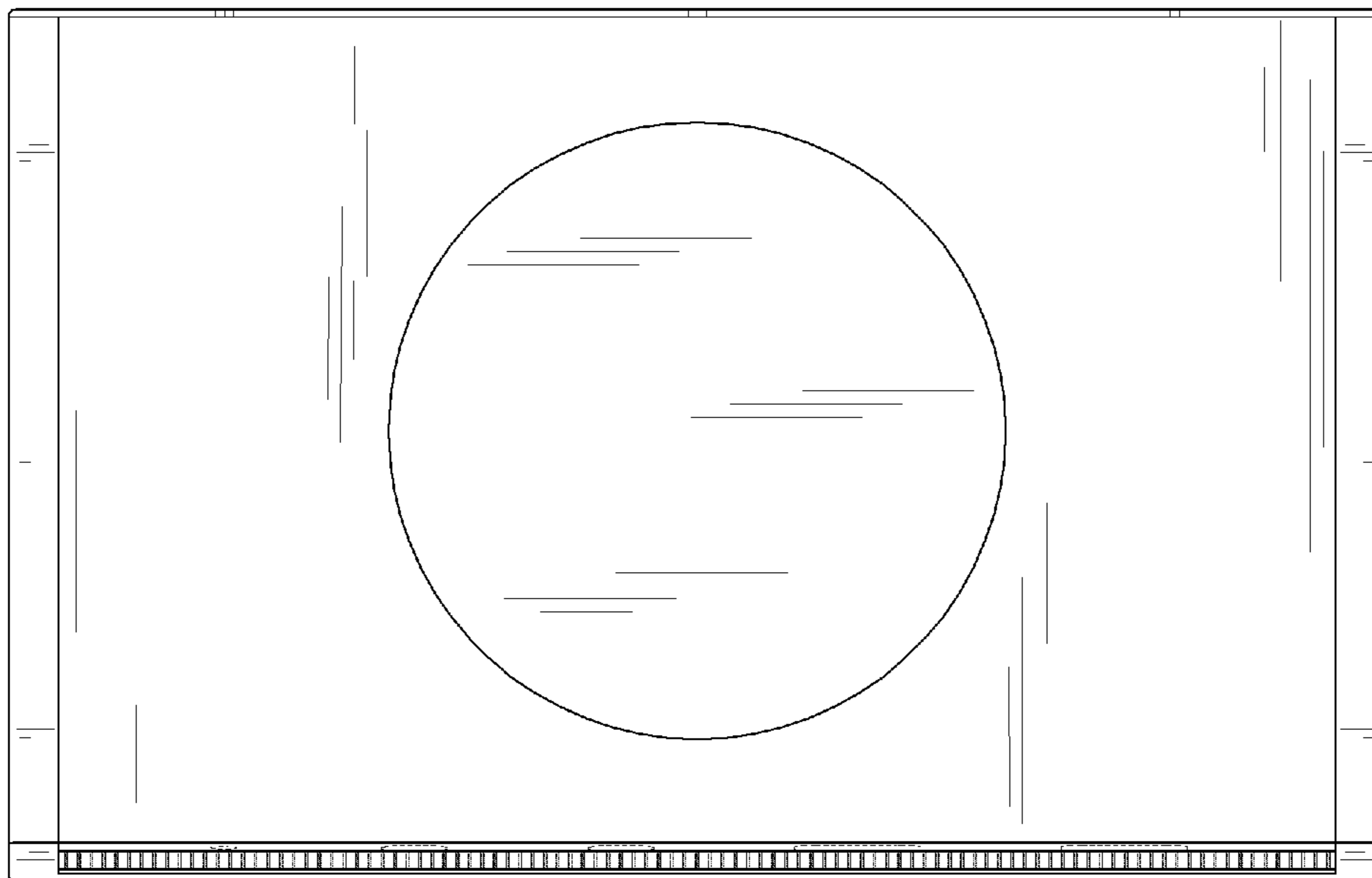




FIG. 8

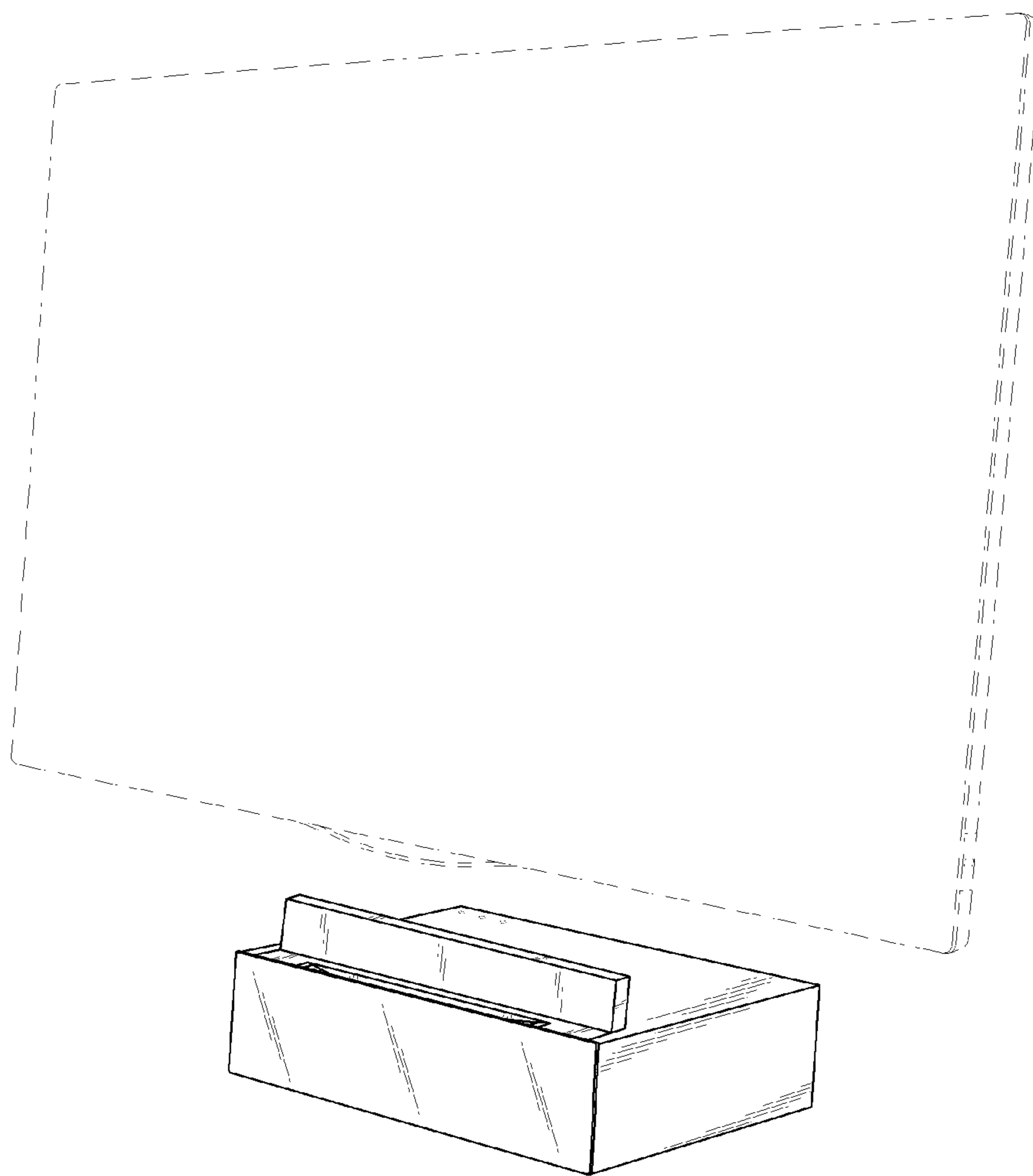


FIG. 9

