



US00D725657S

(12) **United States Design Patent**  
**Glasgow**

(10) **Patent No.:** **US D725,657 S**  
(45) **Date of Patent:** **\*\* Mar. 31, 2015**

- (54) **TABLET COMPUTER CASE**
- (71) Applicant: **Ryan Glasgow**, Salt Lake City, UT (US)
- (72) Inventor: **Ryan Glasgow**, Salt Lake City, UT (US)
- (73) Assignee: **GB II Corporation**, Tualatin, OR (US)
- (\*\*) Term: **14 Years**
- (21) Appl. No.: **29/462,293**
- (22) Filed: **Aug. 1, 2013**
- (51) **LOC (10) Cl.** ..... **14-02**
- (52) **U.S. Cl.**  
USPC ..... **D14/400**
- (58) **Field of Classification Search**  
CPC ... G06F 1/1601; G06F 1/1626; G06F 1/1633;  
G06F 1/1675; G06F 1/1679; G02F 1/1306;  
G02F 1/133; G02F 1/133308; G02F 1/153;  
G02F 1/1533; G02F 2001/133317; H04M  
1/185; H04M 1/0252; H04B 1/3888  
USPC ..... D14/250, 251, 253, 240, 217, 496, 440,  
D14/203.3, 203.4, 203.5, 203.8, 341, 318;  
D3/218, 215, 201, 294, 289, 900;  
220/4.02; 248/309.1; 361/679.56;  
379/426, 433.11, 455; 455/575.1,  
455/575.8, 457.1; 190/100; 206/305, 320,  
206/45.2; D21/469; 312/240  
See application file for complete search history.

(56) **References Cited**

**U.S. PATENT DOCUMENTS**

D543,357	S	*	5/2007	Corcoran	.....	D3/276
8,230,992	B2	*	7/2012	Law et al.	.....	206/320
D668,660	S	*	10/2012	Norfolk	.....	D14/440
D676,448	S	*	2/2013	Gorman et al.	.....	D14/440
D676,449	S	*	2/2013	Probst et al.	.....	D14/440
D678,293	S	*	3/2013	Meehan	.....	D14/440
D684,978	S	*	6/2013	Phillips et al.	.....	D14/440
D693,350	S	*	11/2013	Mish et al.	.....	D14/440
D696,256	S	*	12/2013	Piedra et al.	.....	D14/440
D706,256	S	*	6/2014	Ward et al.	.....	D14/250
D716,280	S	*	10/2014	Macrina et al.	.....	D14/250
2008/0084396	A1	*	4/2008	Pen	.....	345/168

2011/0310553 A1\* 12/2011 Hsiao ..... 361/679.55

**OTHER PUBLICATIONS**

<http://www.inoxcase.com/INOX4>, iNox case, Columbia River Knife & Tool Inc., publicly used prior to Aug. 1, 2012, 1 page.

\* cited by examiner

*Primary Examiner* — Cynthia Underwood

(74) *Attorney, Agent, or Firm* — Klarquist Sparkman, LLP

(57) **CLAIM**

I claim ornamental design for a tablet computer case, as shown and described.

**DESCRIPTION**

FIG. 1 is a perspective view of a tablet computer case in a closed configuration, as viewed from the front, top and one side thereof.

FIG. 2 is another perspective view of the tablet computer case of FIG. 1 in a closed configuration, as viewed from the rear, bottom and one side thereof.

FIG. 3 is a front plan view of the tablet computer case of FIG. 1 in a closed configuration.

FIG. 4 is a rear elevational view of the tablet computer case of FIG. 1 in a closed configuration.

FIG. 5 is a perspective view of the tablet computer case of FIG. 1 in an open configuration, as viewed from the front, top and one side of thereof.

FIG. 6 is a front plan view of the tablet computer case of FIG. 1 in an open configuration.

FIG. 7 is a left side elevational view of the tablet computer case of FIG. 1 in a closed configuration.

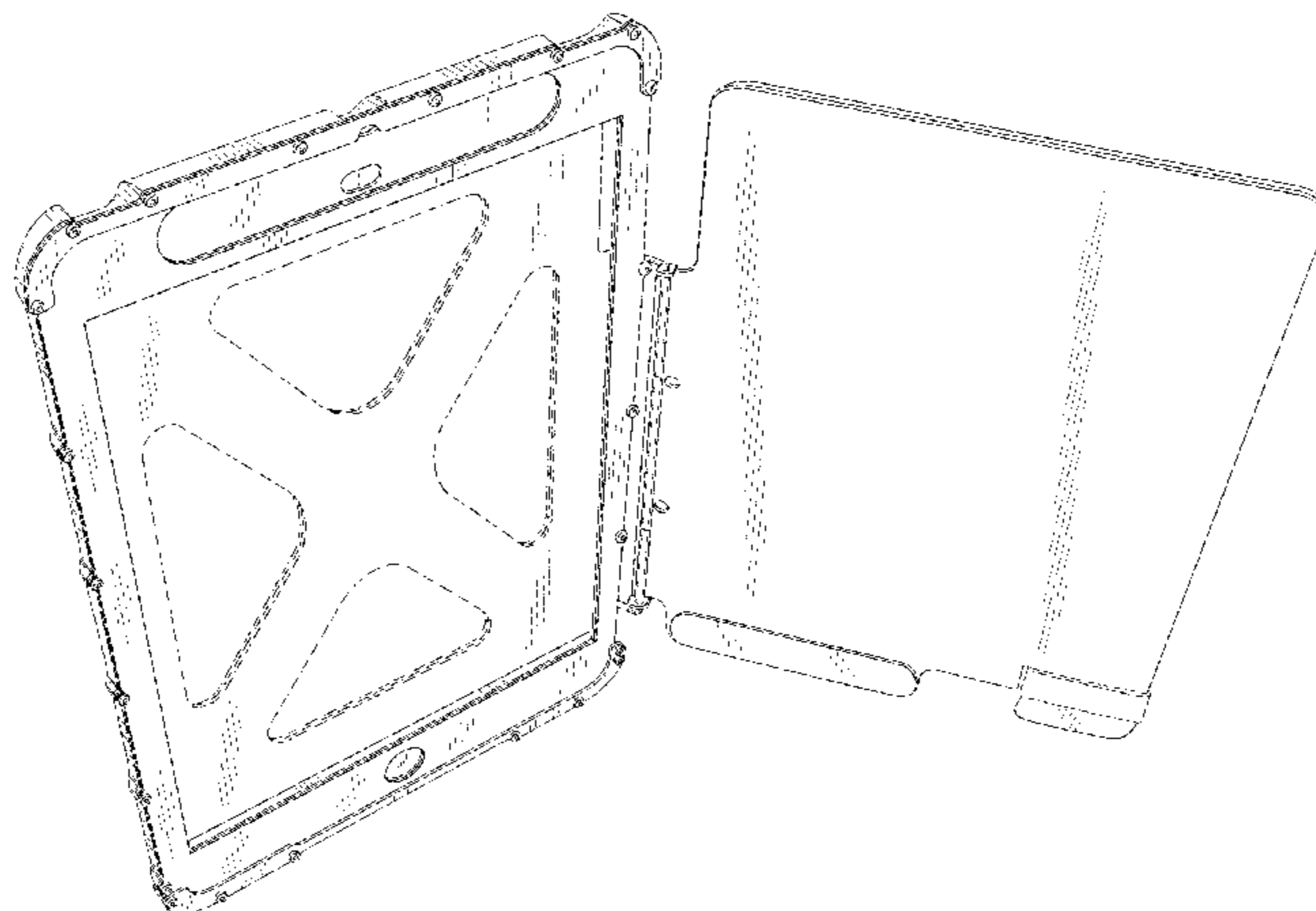
FIG. 8 is a right side elevational view of the tablet computer case of FIG. 1 in a closed configuration.

FIG. 9 is a top elevational view of the tablet computer case of FIG. 1 in a closed configuration; and,

FIG. 10 is a bottom elevational view of the tablet computer case of FIG. 1 in a closed configuration.

The broken lines in the drawings are for illustrative purposes only and form no part of the claimed design.

**1 Claim, 7 Drawing Sheets**



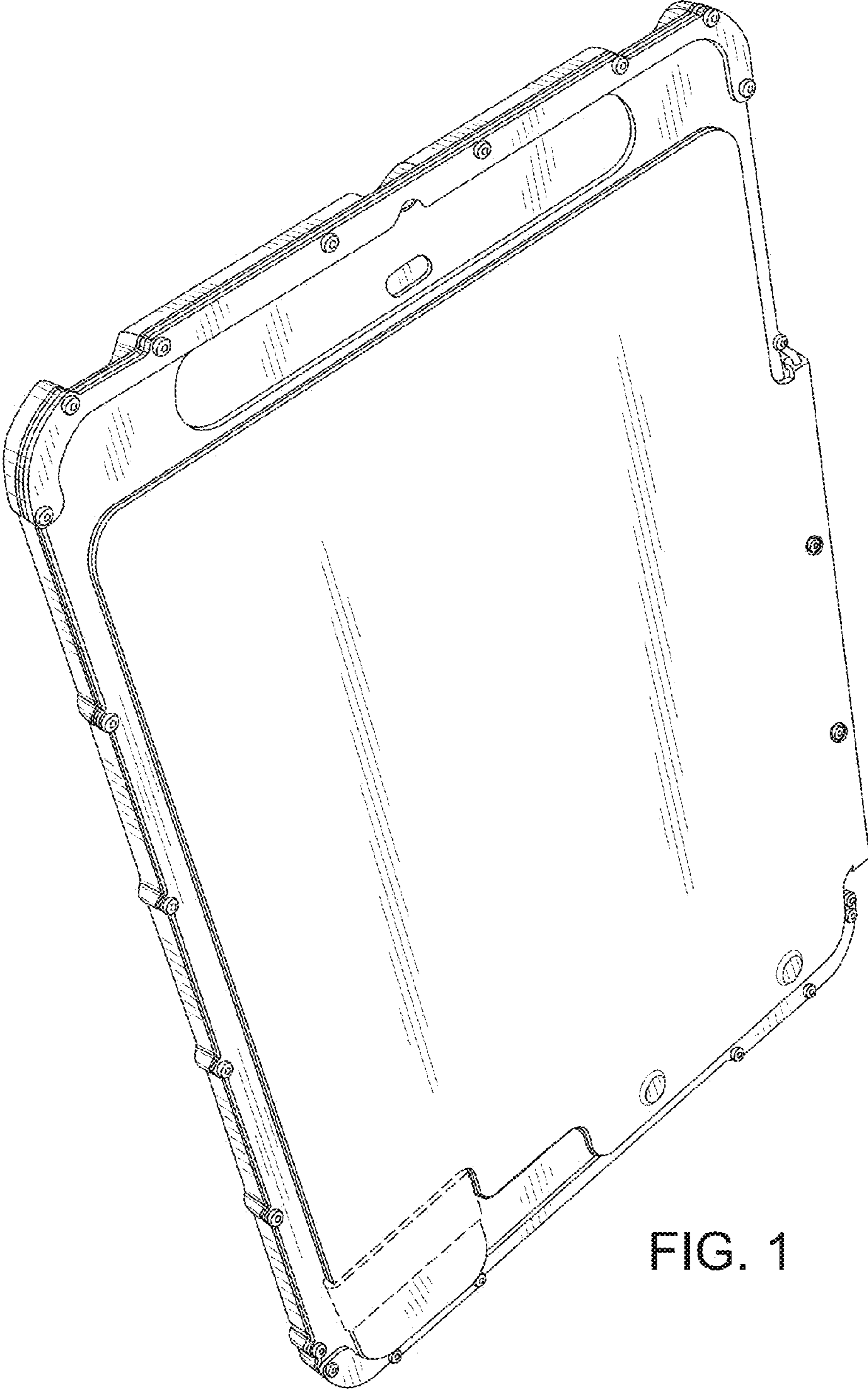


FIG. 1

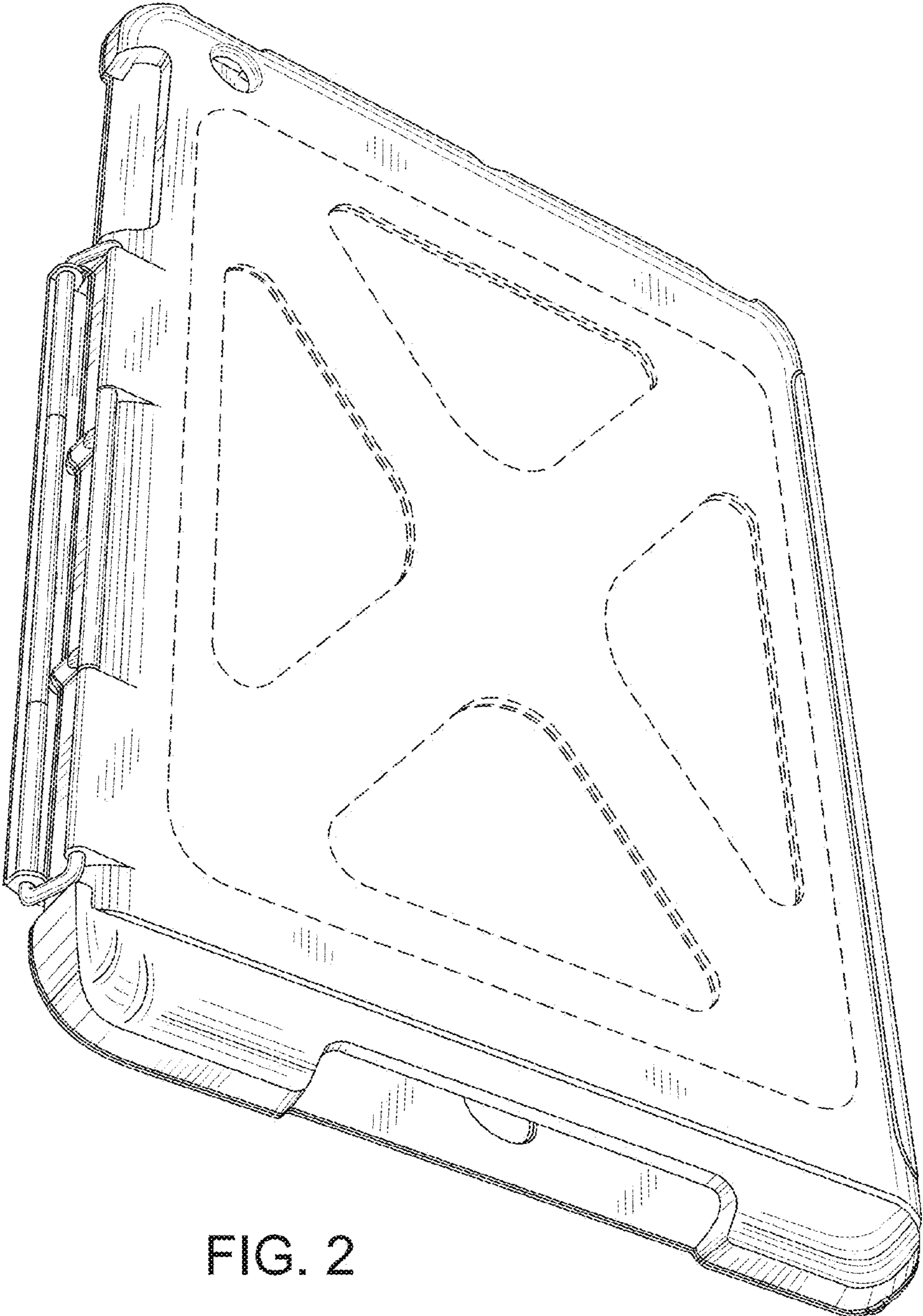


FIG. 2

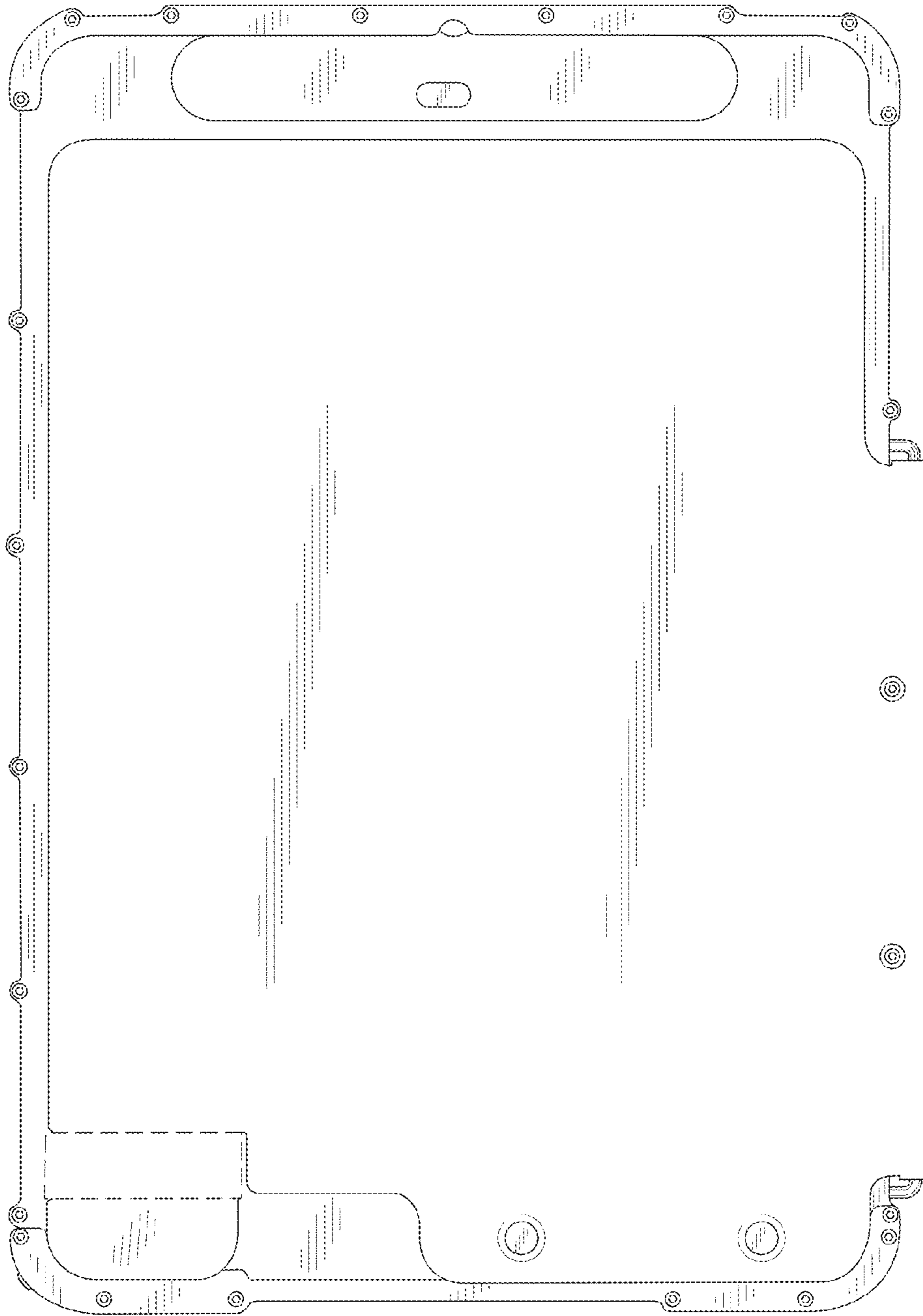


FIG. 3

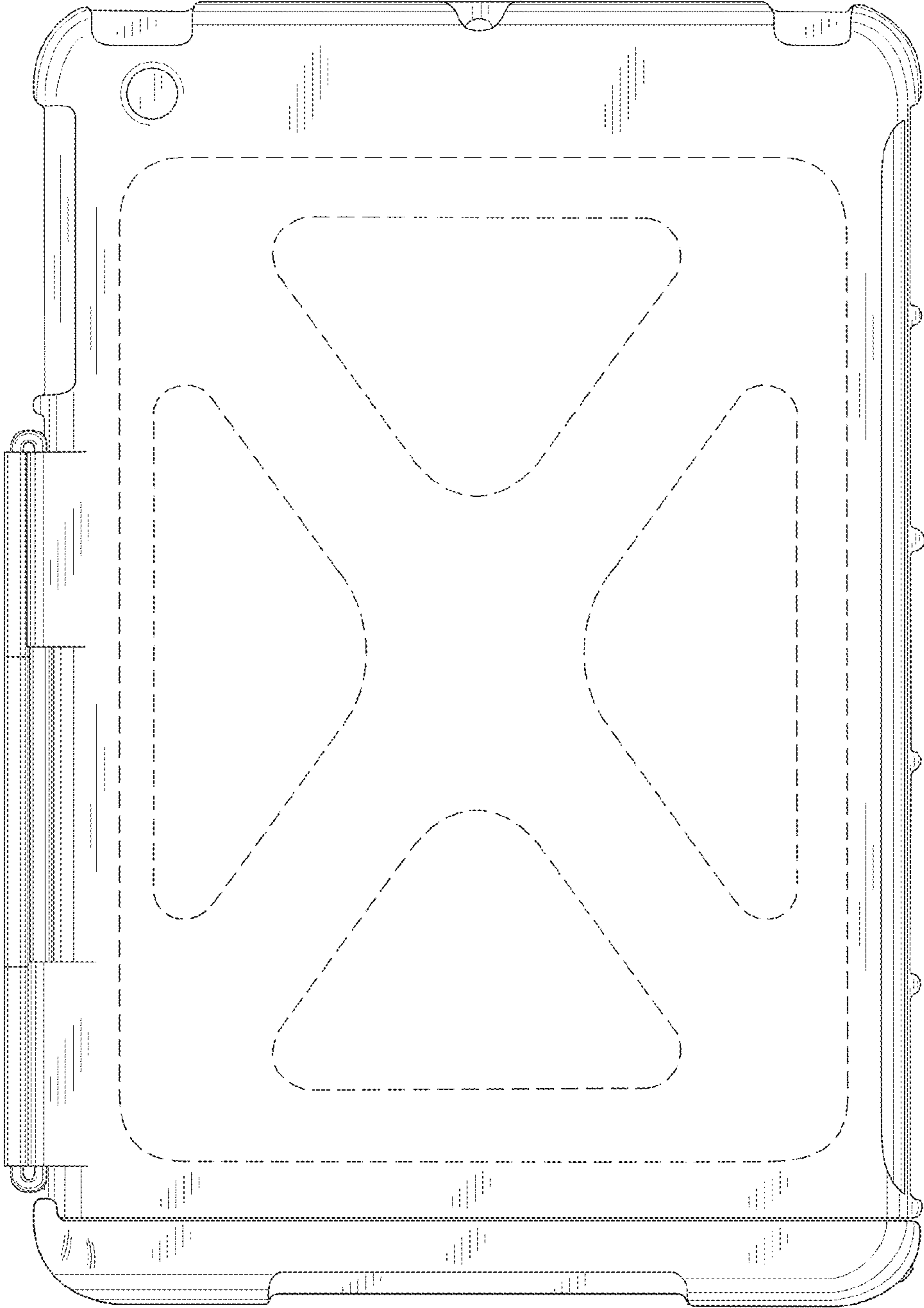


FIG. 4

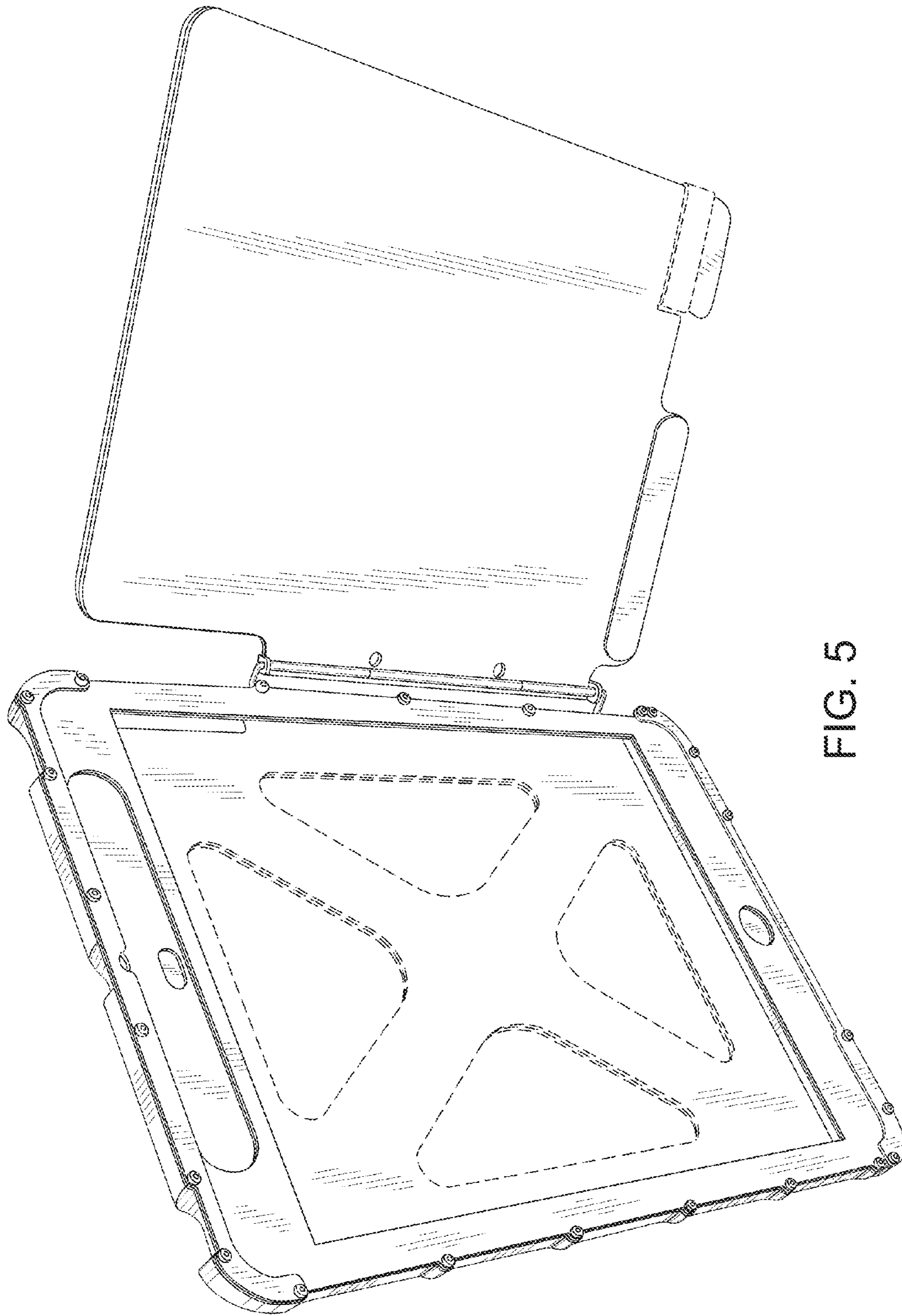


FIG. 5

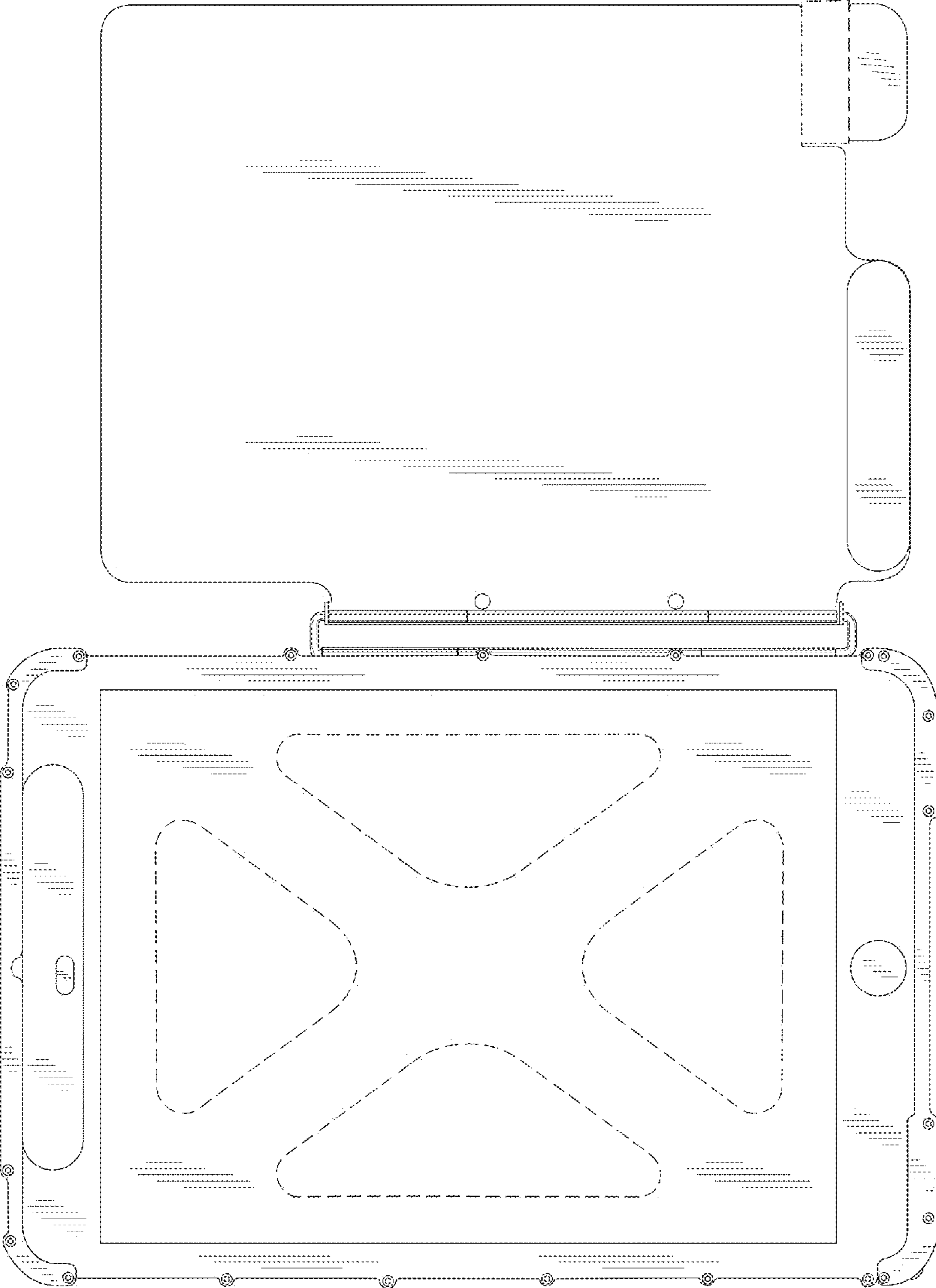


FIG. 6

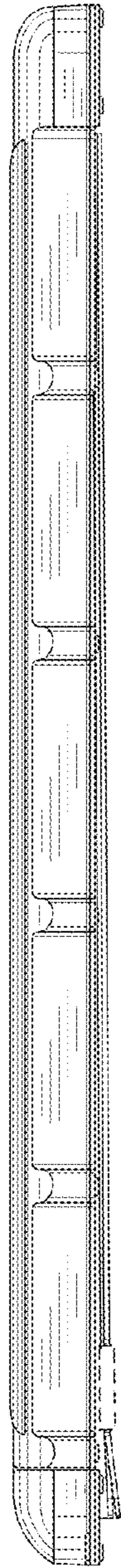


FIG. 7



FIG. 8

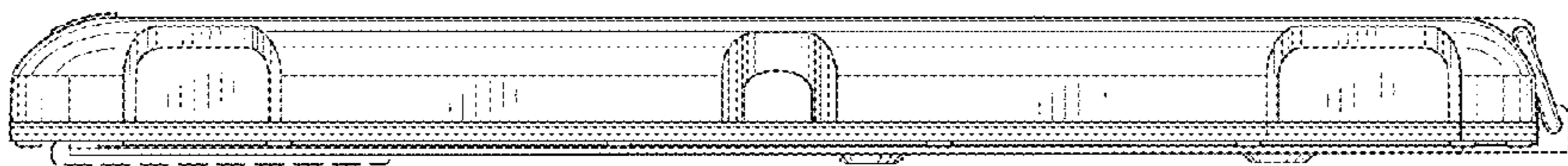


FIG. 9

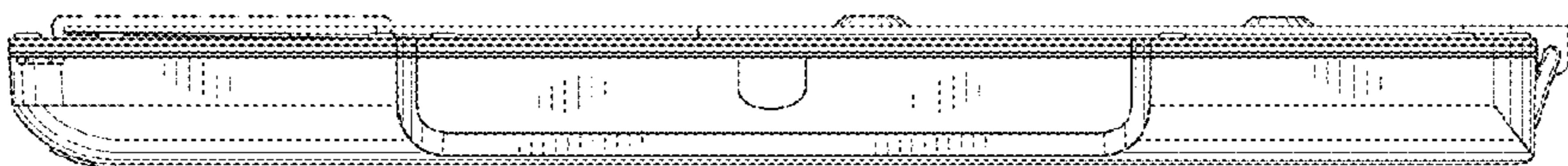


FIG. 10