



US00D725655S

(12) **United States Design Patent**
Debaigue et al.

(10) **Patent No.:** **US D725,655 S**
(45) **Date of Patent:** **** Mar. 31, 2015**

(54) **ELECTRONIC DEVICE**

(71) Applicant: **eBay Inc.**, San Jose, CA (US)

(72) Inventors: **Arthur Kenzo Debaigue**, San Francisco, CA (US); **Yves Behar**, San Francisco, CA (US); **Satish Narayan Govindarajan**, Los Altos, CA (US); **Suryanarayana Murthy Bobba**, Los Altos, CA (US); **Michael Voegel**, Santa Clara, CA (US)

(73) Assignee: **eBay Inc.**, San Jose, CA (US)

(**) Term: **14 Years**

(21) Appl. No.: **29/487,115**

(22) Filed: **Apr. 4, 2014**

(51) **LOC (10) Cl.** **14-02**

(52) **U.S. Cl.**
USPC **D14/385**

(58) **Field of Classification Search**
CPC H04M 1/6058
USPC D18/3.1-3.3, 4.1-4.6, 6-8, 11, 12, D18/12.1-12.3; D21/324, 325, 332; D99/28, 34-36, 43; 235/1 E, 7 R, 2, 12, 235/22, 33, 51, 52; 705/12, 15-18, 43; D14/383, 384, 385, 386, 387

See application file for complete search history.

(56) **References Cited**

U.S. PATENT DOCUMENTS

D433,231 S *	11/2000	Kaplan	D3/294
D472,464 S *	4/2003	Snider	D3/294
D675,618 S *	2/2013	Behar et al.	D14/385
D686,208 S *	7/2013	Miller et al.	D14/385
D687,829 S *	8/2013	Miller et al.	D14/385
D700,606 S *	3/2014	Lo	D14/385
D706,266 S *	6/2014	Rotsaert	D14/385

* cited by examiner

Primary Examiner — Adir Aronovich

Assistant Examiner — Ethiene Salgado-Rodriguez

(74) *Attorney, Agent, or Firm* — Haynes and Boone, LLP

(57) **CLAIM**

The ornamental designs for an electronic device, as shown and described.

DESCRIPTION

FIG. 1 is a front perspective view of an electronic device, showing our new design;

FIG. 2 is a rear perspective view thereof;

FIG. 3 is a front elevational view thereof;

FIG. 4 is a rear elevational view thereof;

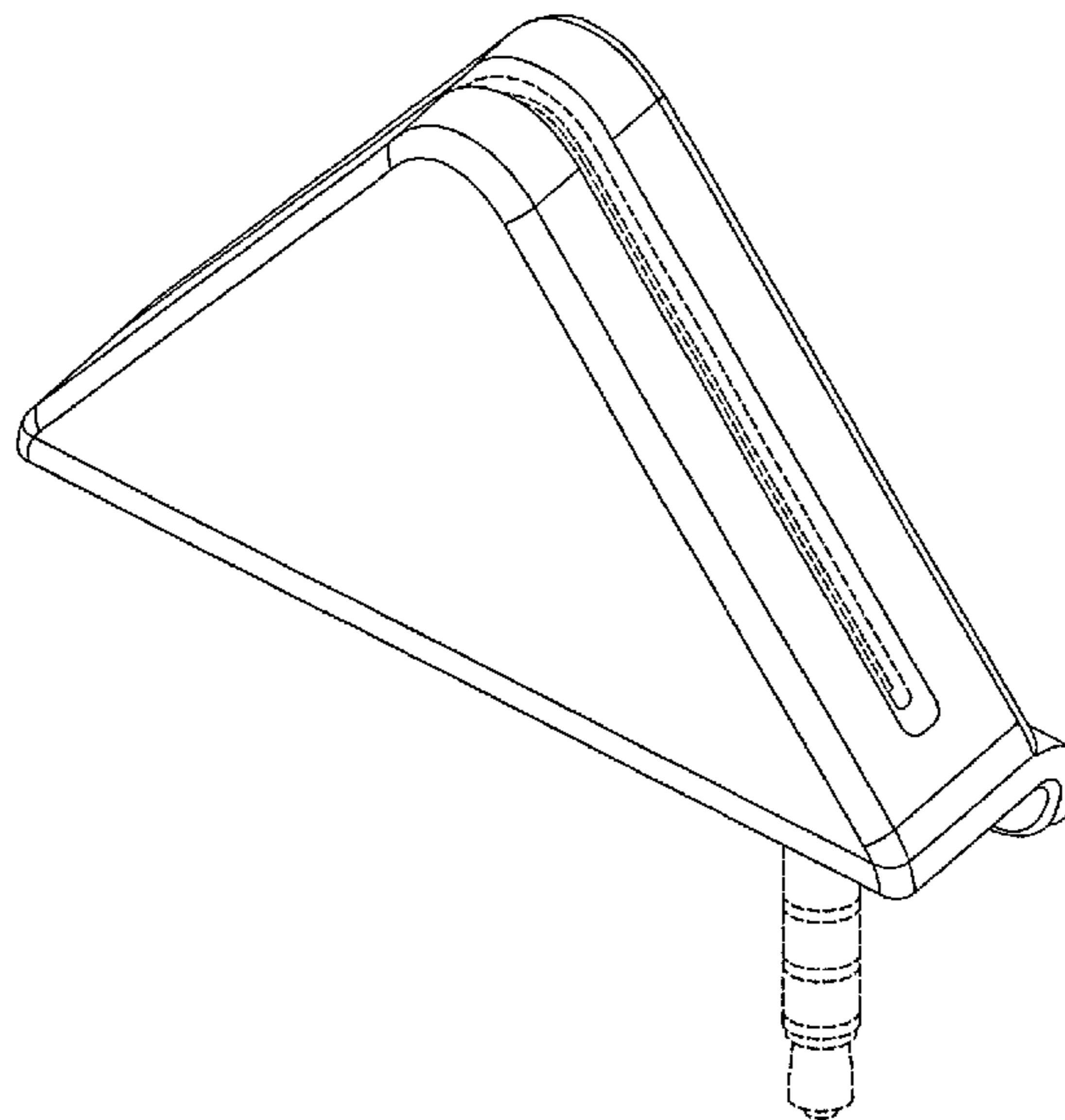
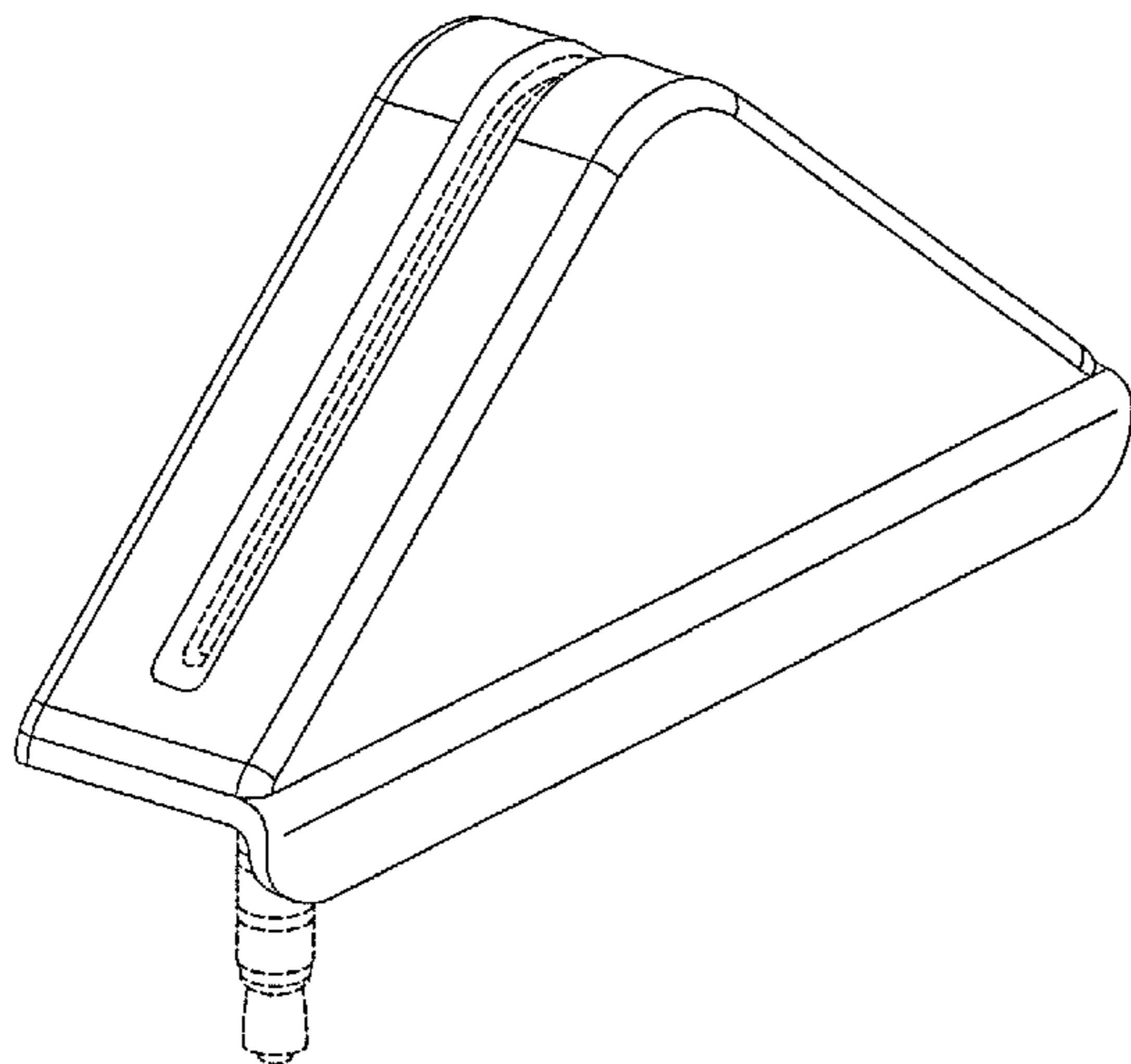
FIG. 5 right side elevational view thereof; the undisclosed left side elevational view being a mirror image thereof;

FIG. 6 is a top plan view thereof; and,

FIG. 7 is a bottom plan view thereof.

The broken lines on the top surface depict the portions of an electronic device in which the design is embodied and form no part of the claimed design. The broken lines on the bottom surface are shown to illustrate environment only and form no part of the claimed design.

1 Claim, 4 Drawing Sheets



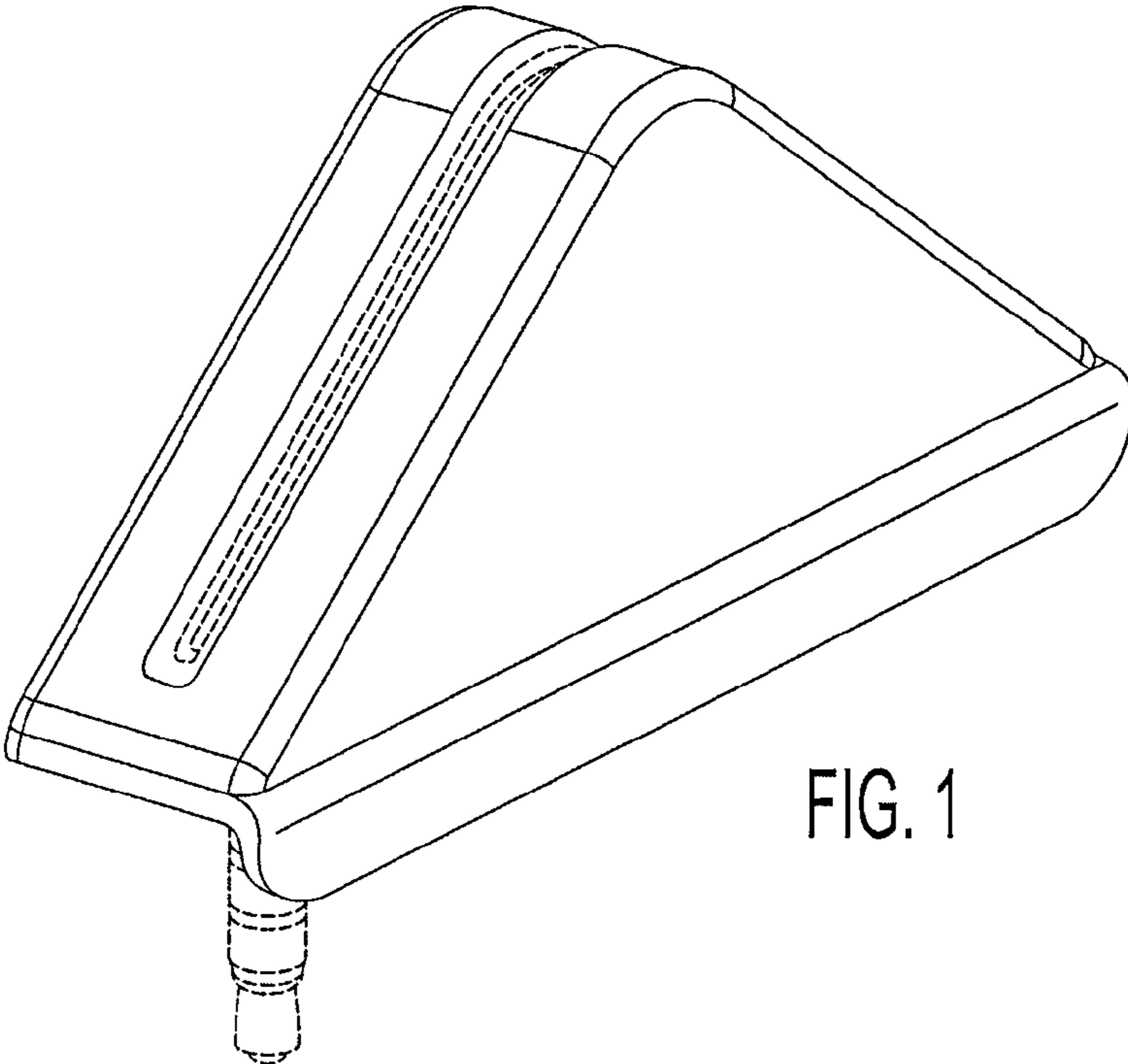


FIG. 1

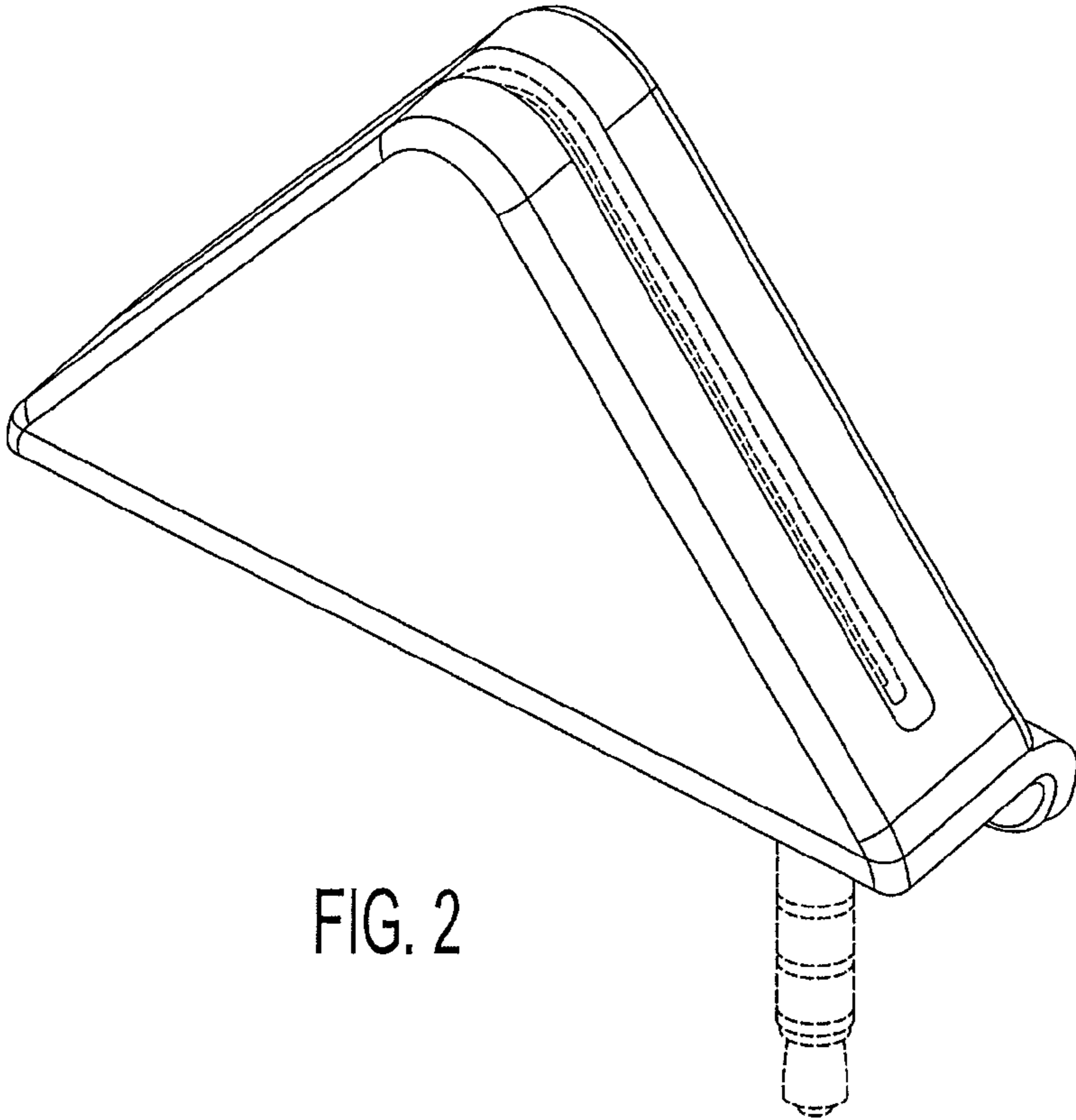


FIG. 2

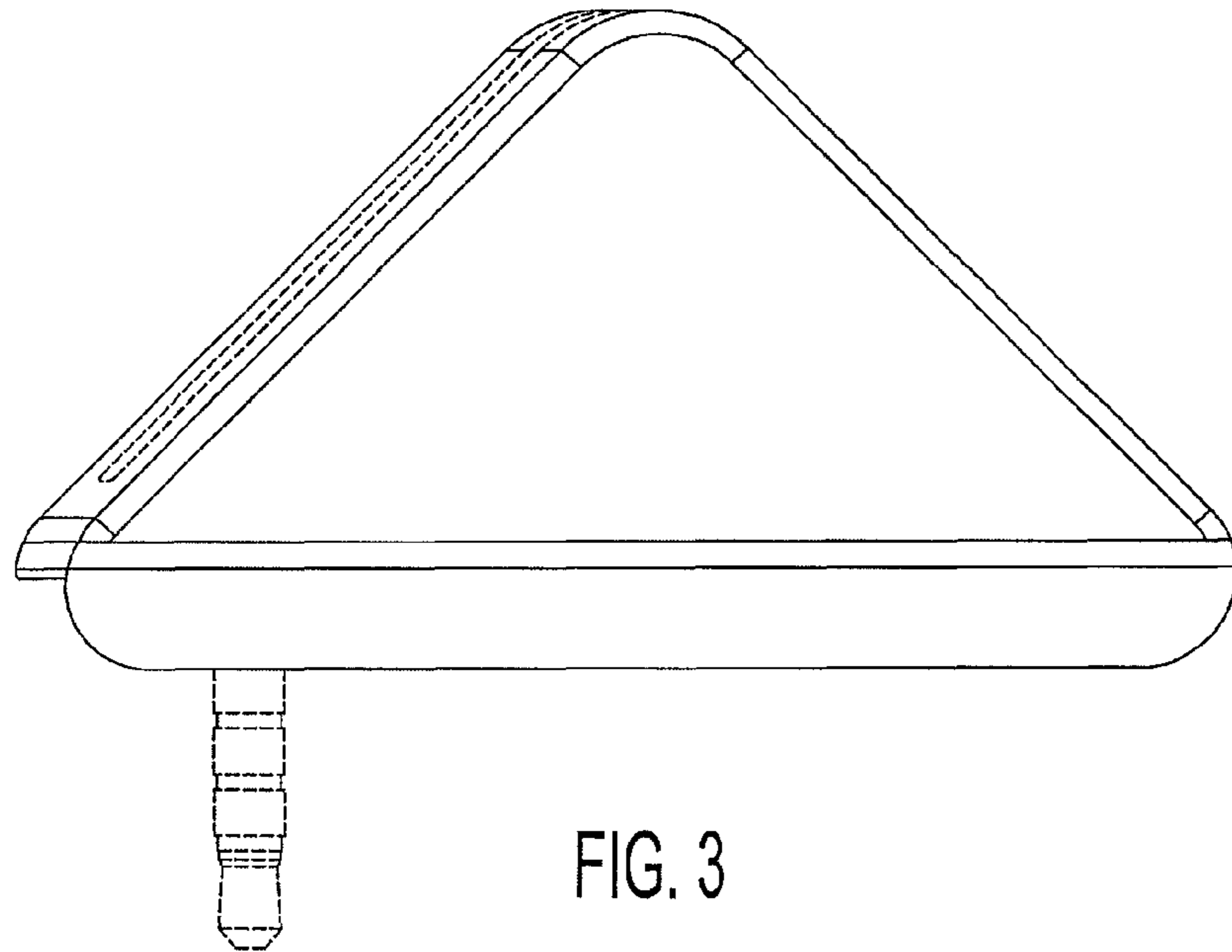


FIG. 3

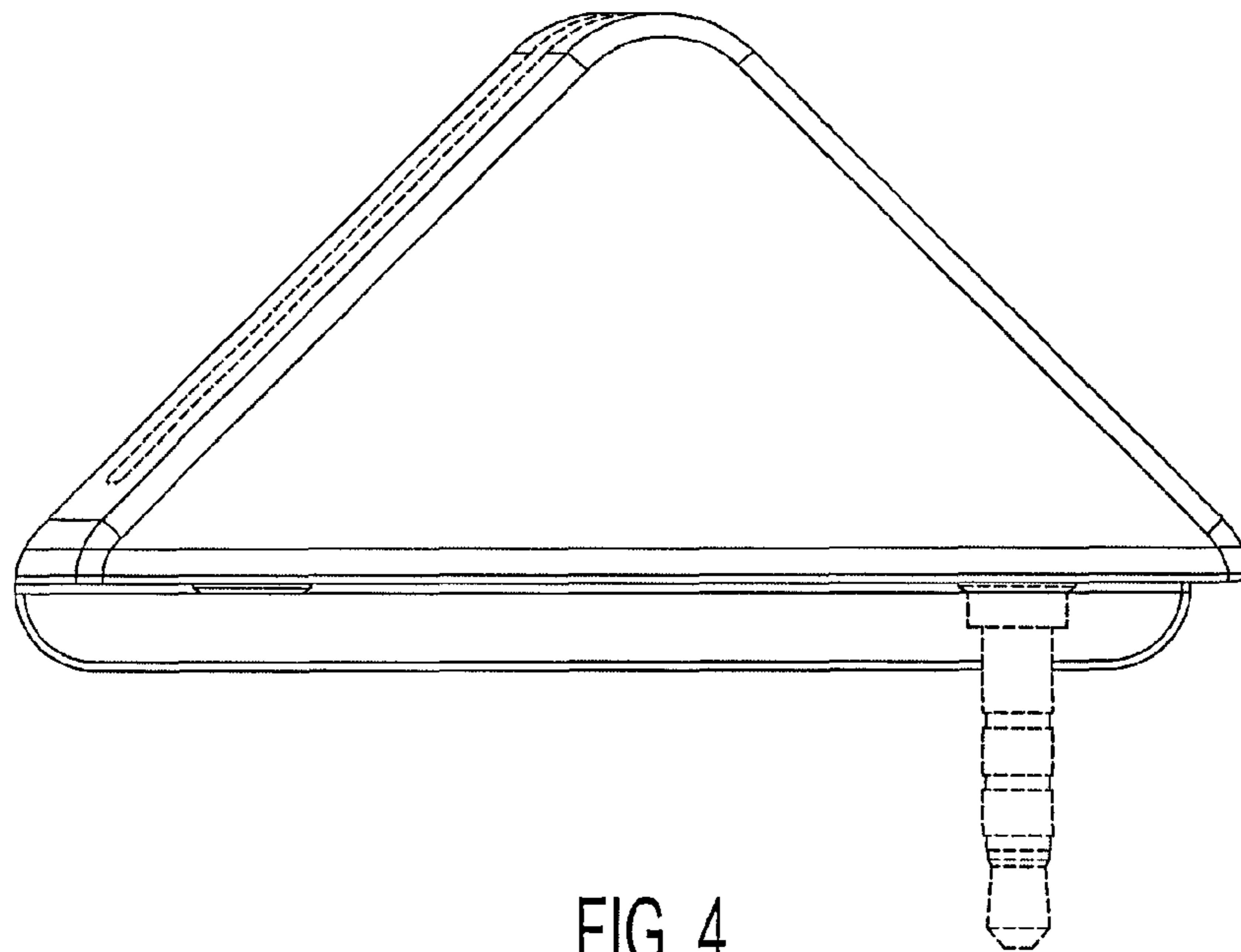


FIG. 4

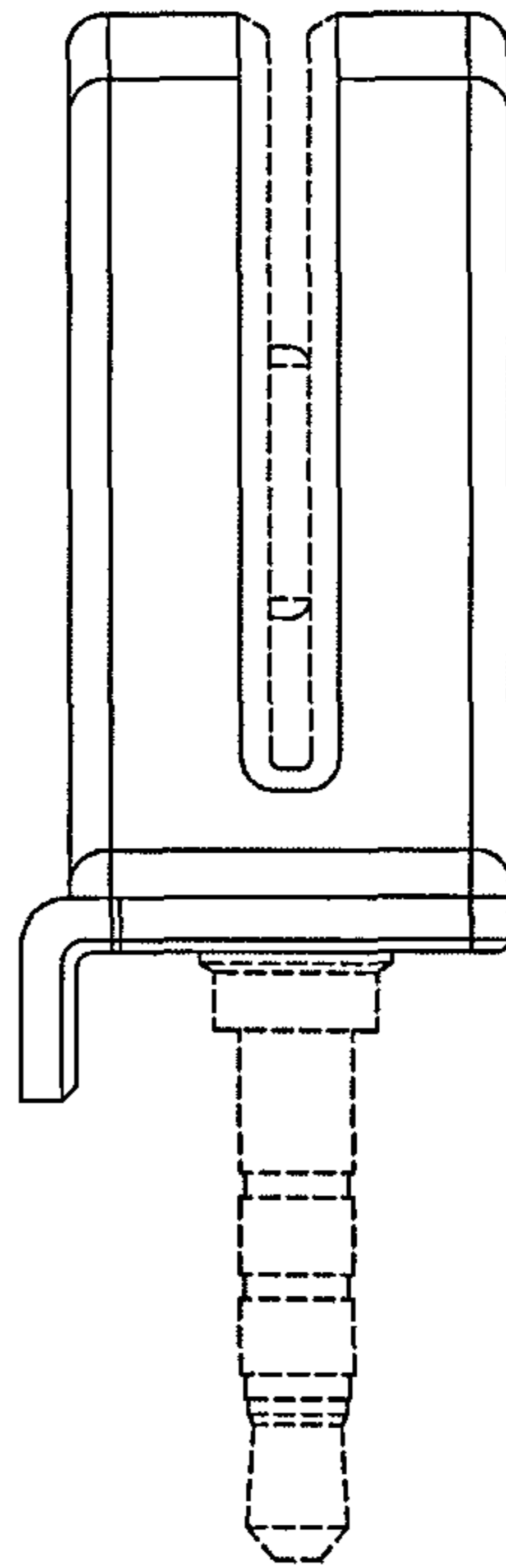


FIG. 5

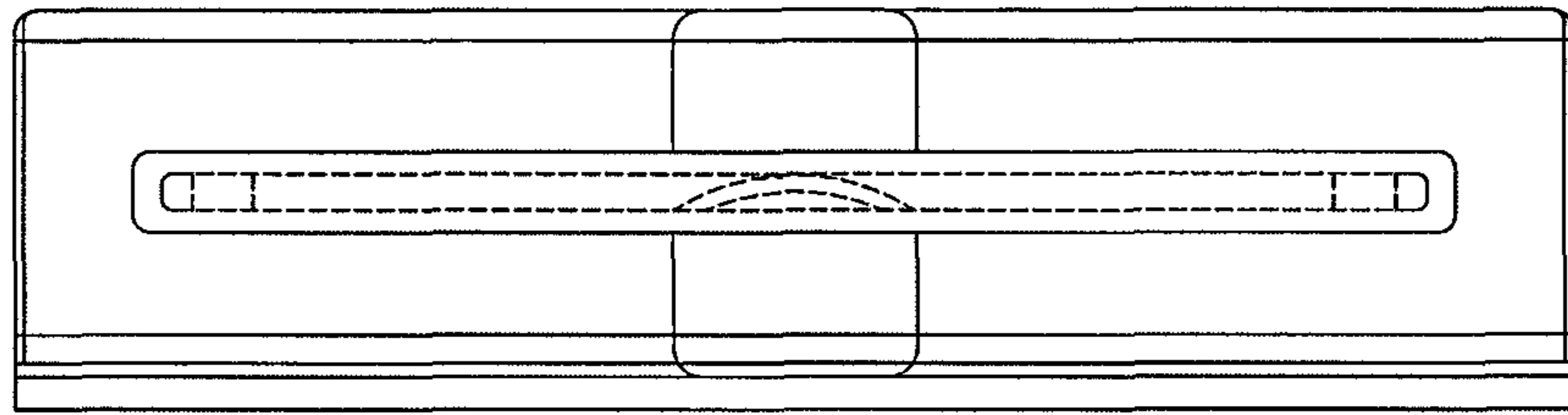


FIG. 6

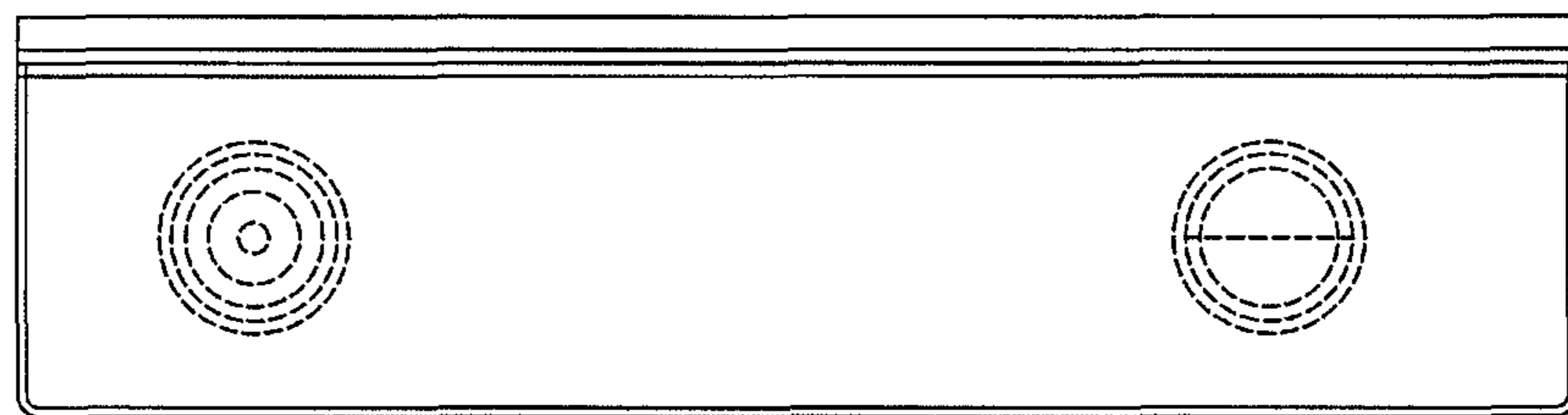


FIG. 7