



US00D725653S

(12) **United States Design Patent**
Choo et al.

(10) **Patent No.:** **US D725,653 S**
(45) **Date of Patent:** **** Mar. 31, 2015**

(54) **HEAD MOUNTED DISPLAY DEVICE**

(71) Applicant: **LG Electronics Inc.**, Seoul (KR)

(72) Inventors: **Zhimin Choo**, Seoul (KR); **Seihyun Cho**, Seoul (KR); **Sanghyuck Lee**, Seoul (KR); **Soonhyun Park**, Seoul (KR)

(73) Assignee: **LG Electronics Inc.**, Seoul (KR)

(**) Term: **14 Years**

(21) Appl. No.: **29/503,091**

(22) Filed: **Sep. 23, 2014**

(30) **Foreign Application Priority Data**

Mar. 24, 2014 (KR) 30-2014-0014628

(51) **LOC (10) Cl.** **14-02**

(52) **U.S. Cl.**
USPC **D14/372**

(58) **Field of Classification Search**
CPC G02B 27/017; G02B 27/0158; G02B 27/0161; G02B 27/0181; G02B 27/0185; G02B 27/0189
USPC D14/372, 496, 432, 371, 125, 126, 129, D14/299; D16/300-342; 351/158, 153, 144; 345/7-9, 905; 455/344; 348/115, 53, 348/121, 739

See application file for complete search history.

(56) **References Cited**

U.S. PATENT DOCUMENTS

D402,651 S	*	12/1998	Depay et al.	D14/372
D533,893 S	*	12/2006	Canavan et al.	D16/330
D559,250 S	*	1/2008	Pombo	D14/372
D659,739 S	*	5/2012	Olsson et al.	D16/300
D659,740 S	*	5/2012	Olsson et al.	D16/300
D660,341 S	*	5/2012	Olsson et al.	D16/300
D662,964 S	*	7/2012	Olsson et al.	D16/300
D664,184 S	*	7/2012	Olsson et al.	D16/309

D664,586 S	*	7/2012	Olsson	D16/300
D665,008 S	*	8/2012	Olsson	D16/309
D671,589 S	*	11/2012	Olsson	D16/300
D688,727 S	*	8/2013	Olsson	D16/300
D691,602 S	*	10/2013	Sugihara et al.	D14/300
D696,712 S	*	12/2013	Armstrong et al.	D16/300
D697,962 S	*	1/2014	Olsson	D16/300
D701,506 S	*	3/2014	Pombo	D14/372
D703,724 S	*	4/2014	Olsson	D16/300
D708,181 S	*	7/2014	Olsson et al.	D14/372
D711,373 S	*	8/2014	Lee et al.	D14/372
D711,375 S	*	8/2014	Lee et al.	D14/372
D711,376 S	*	8/2014	Lee et al.	D14/372
D716,299 S	*	10/2014	Olsson et al.	D14/372

* cited by examiner

Primary Examiner — Austin Murphy

(74) *Attorney, Agent, or Firm* — Birch, Stewart, Kolasch & Birch, LLP

(57) **CLAIM**

The ornamental design for a head mounted display device, as shown and described.

DESCRIPTION

FIG. 1 is a perspective view of a head mounted display device showing our new design;
 FIG. 2 is a front view thereof;
 FIG. 3 is a rear view thereof;
 FIG. 4 is a left side view thereof;
 FIG. 5 is a right side view thereof;
 FIG. 6 is a top plan view thereof;
 FIG. 7 is a bottom plan view thereof;
 FIG. 8 is a perspective view thereof, the article in a position of use;
 FIG. 9 is a front view thereof, but with a portion of the article shown as transparent; and,
 FIG. 10 is a left side view thereof, showing the display portion of the article in broken lines and in an alternate position of use.
 The broken lines are just for illustrative purposes only and form no part of the claimed design.

1 Claim, 7 Drawing Sheets

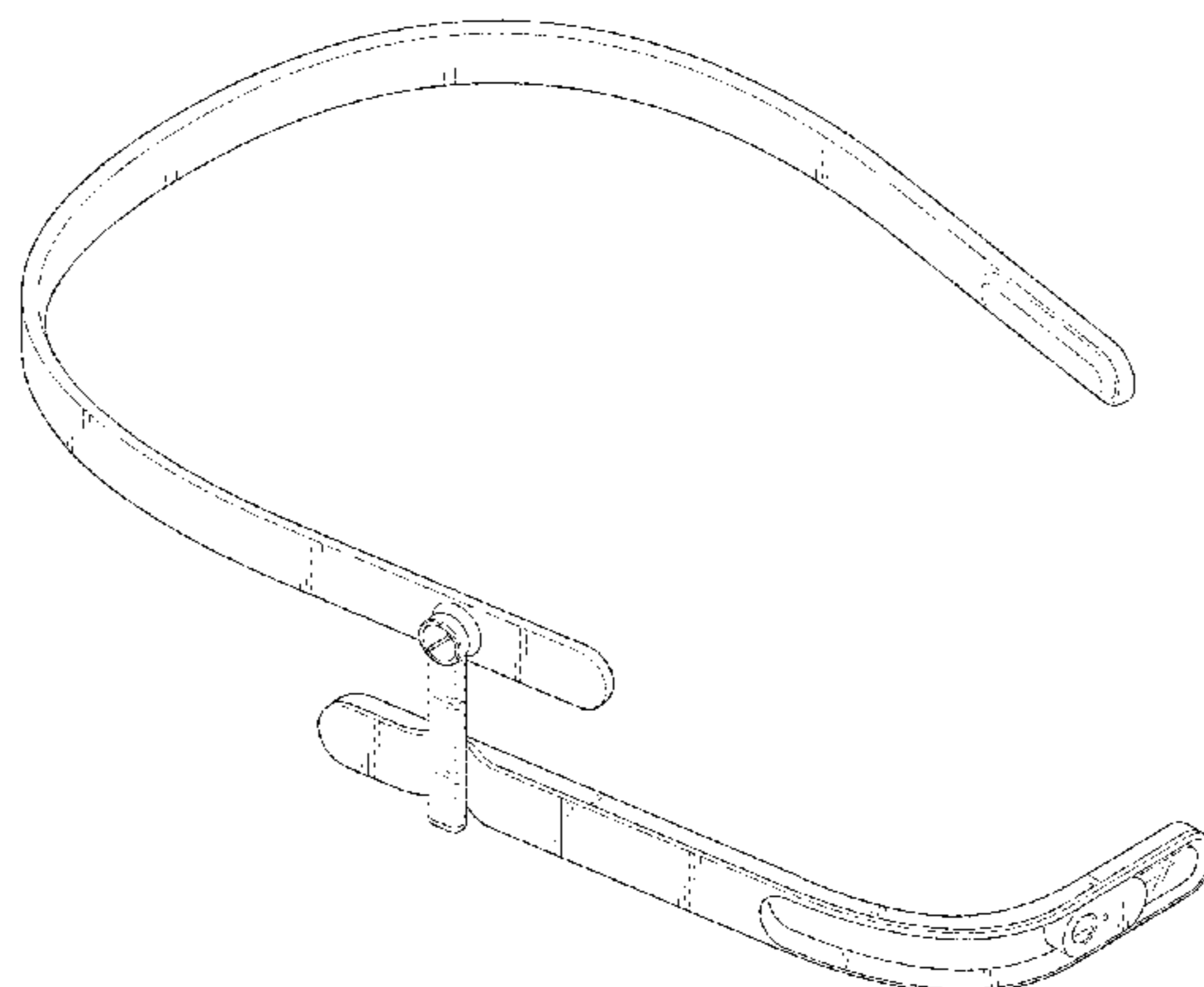


FIG. 1

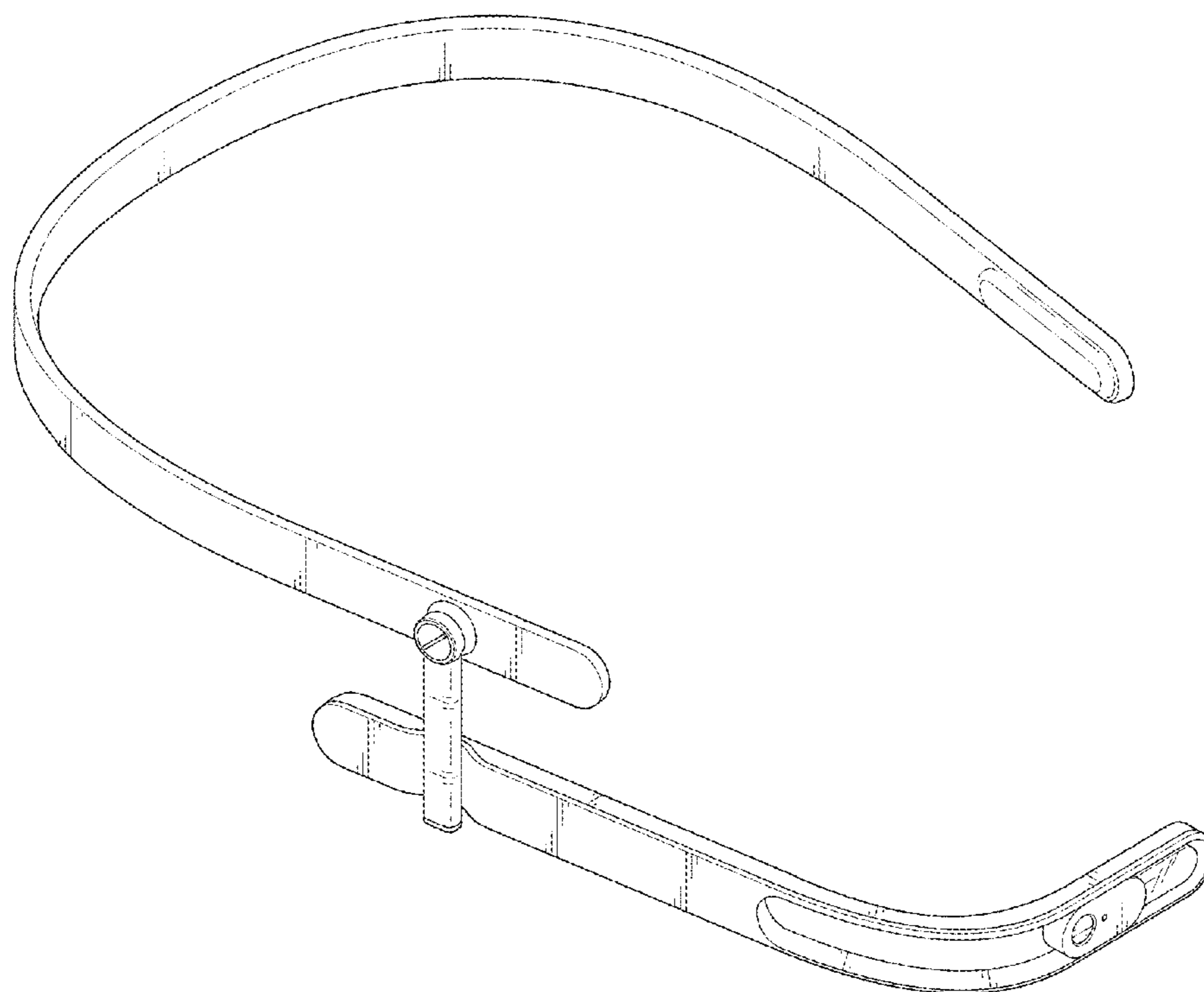


FIG. 2

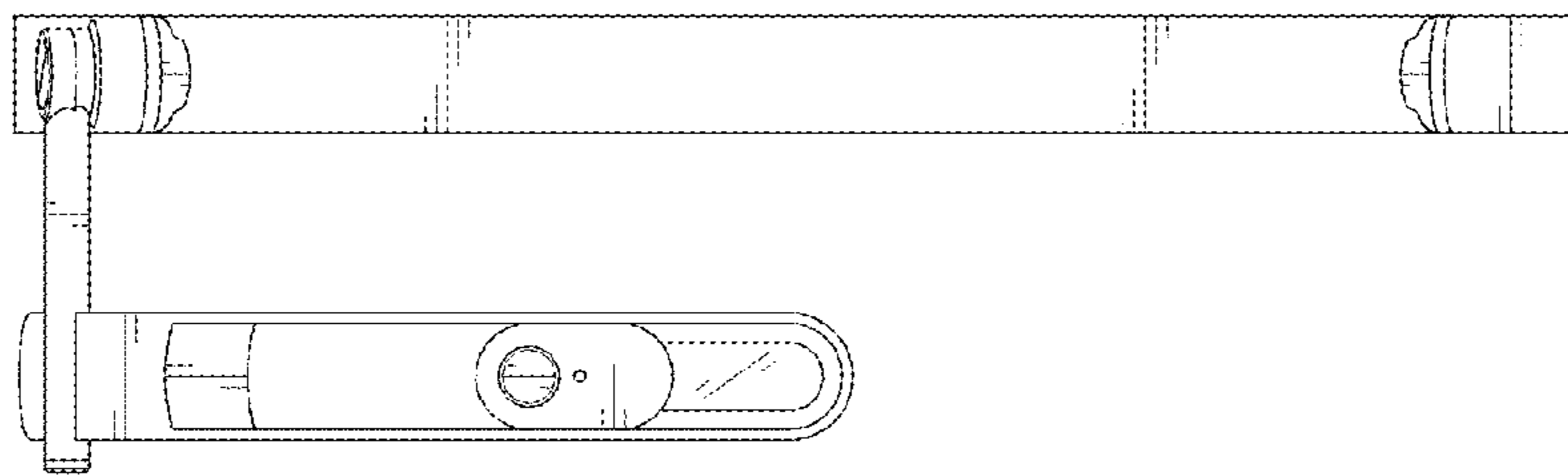


FIG. 3

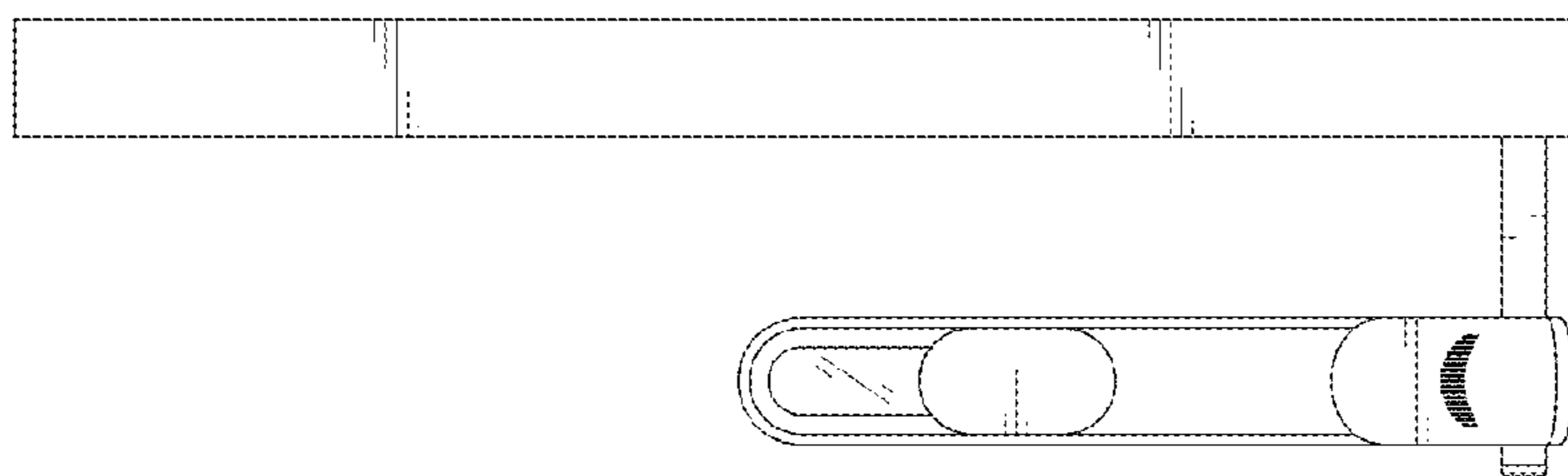


FIG. 4

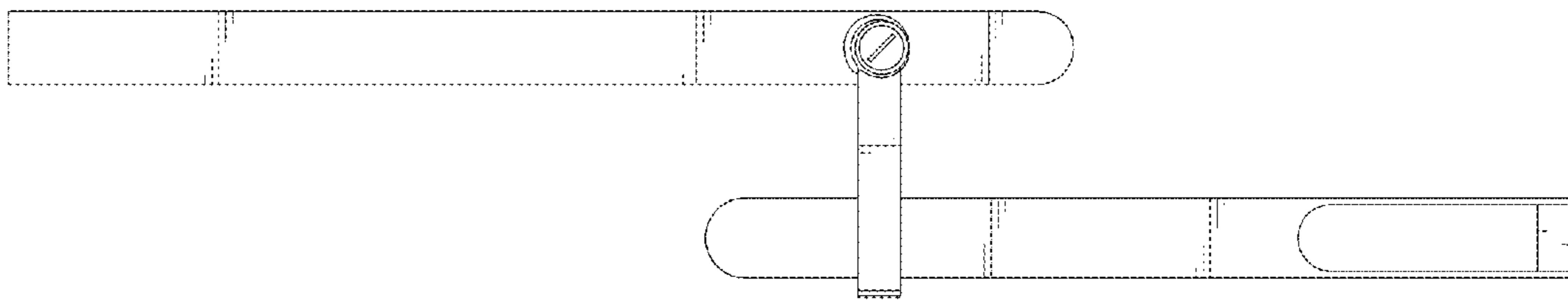


FIG. 5

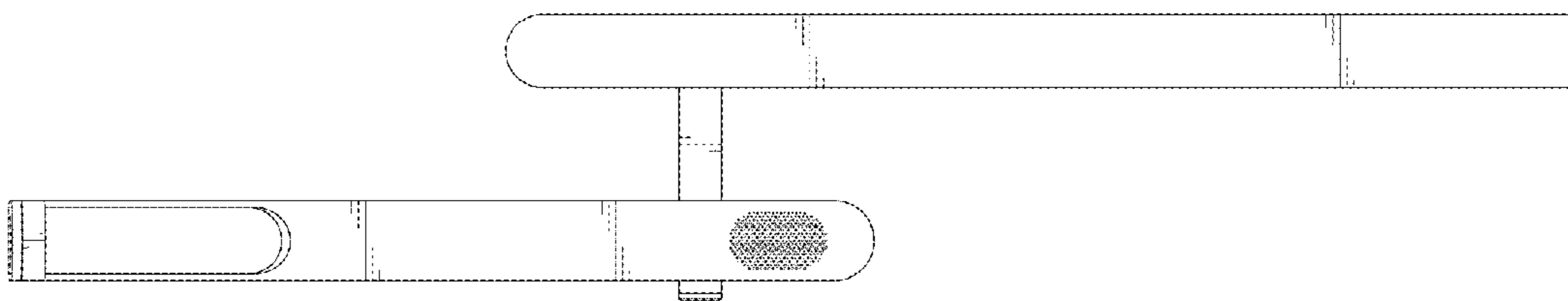


FIG. 6

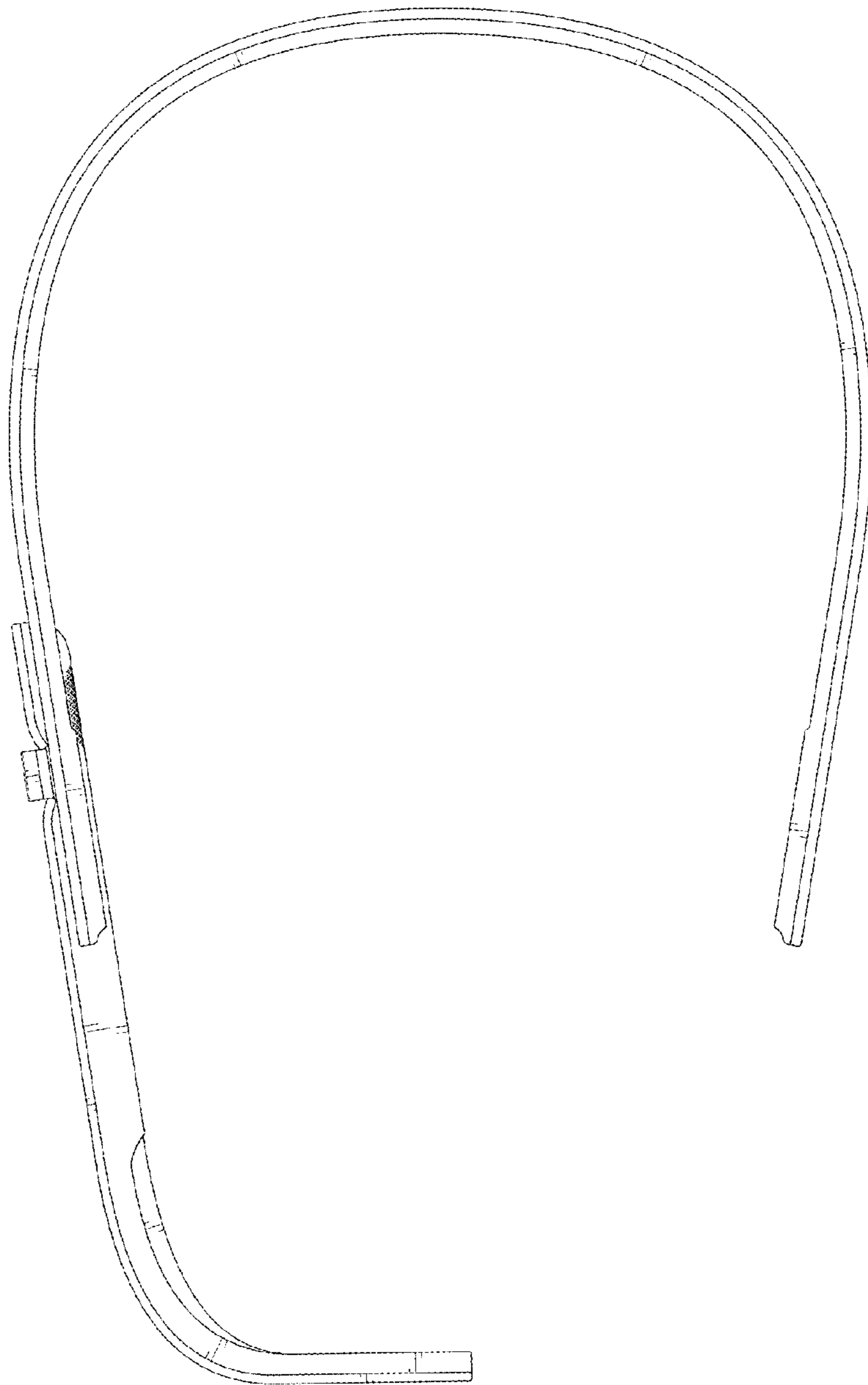


FIG. 7

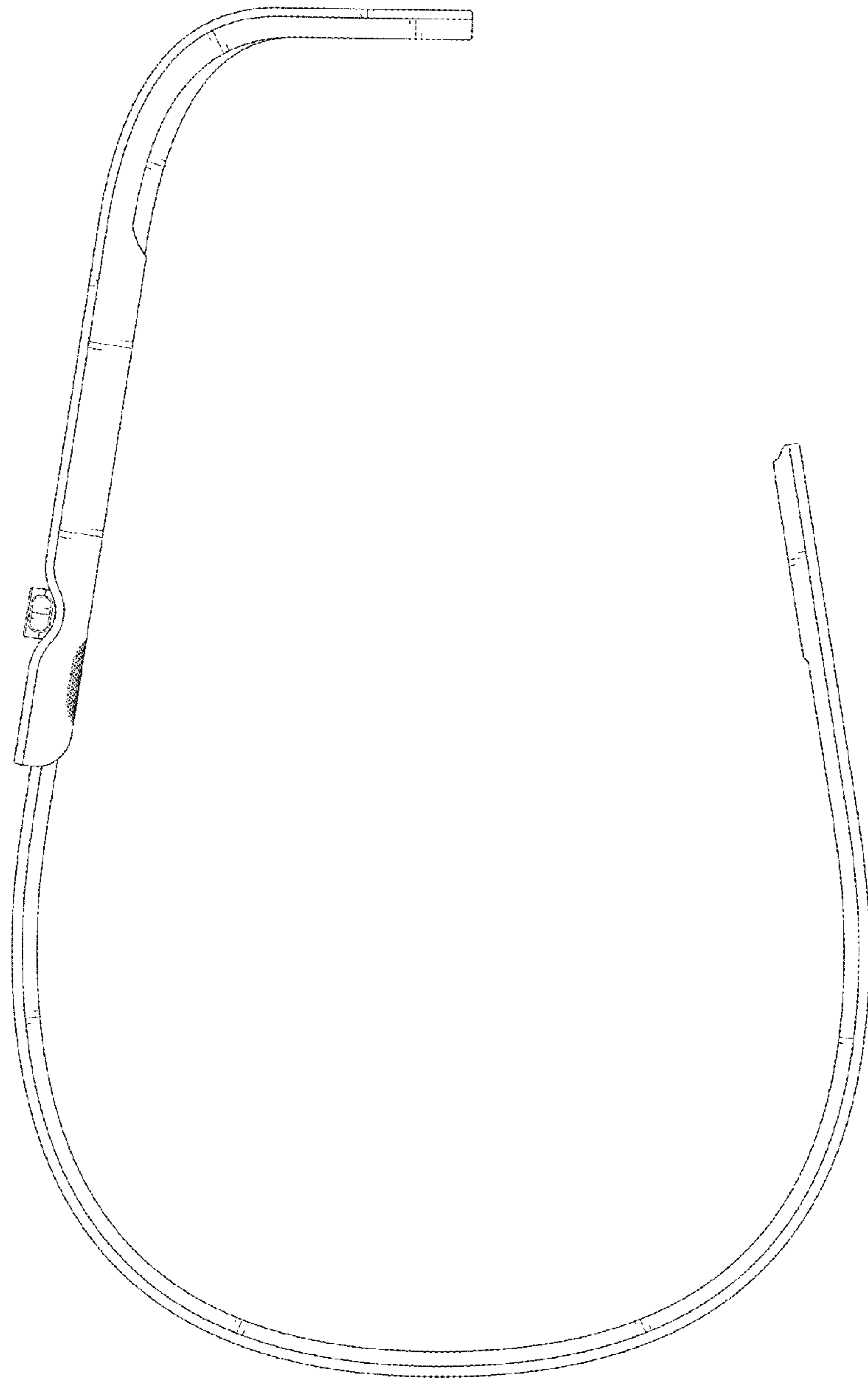


FIG. 8

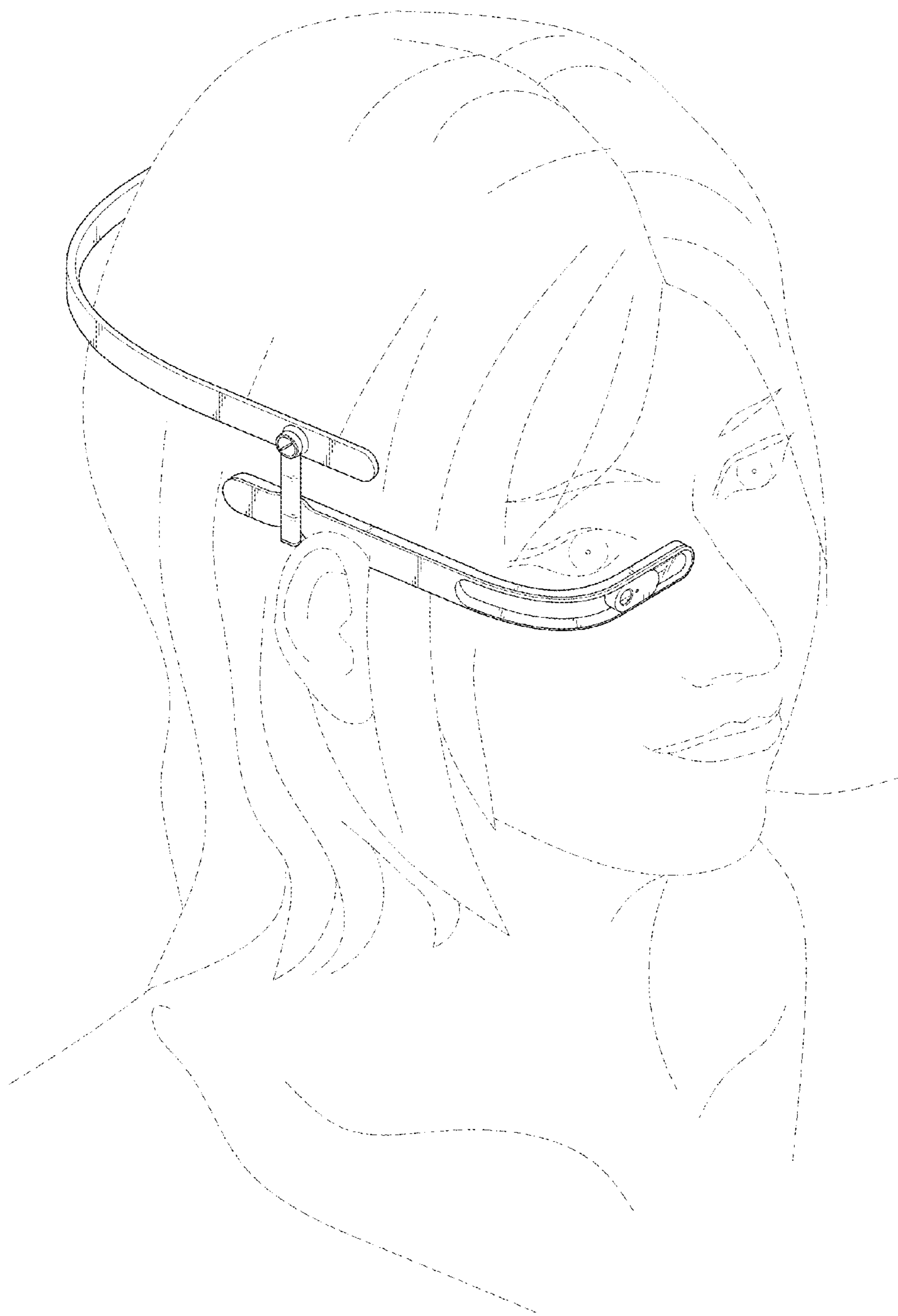


FIG. 9

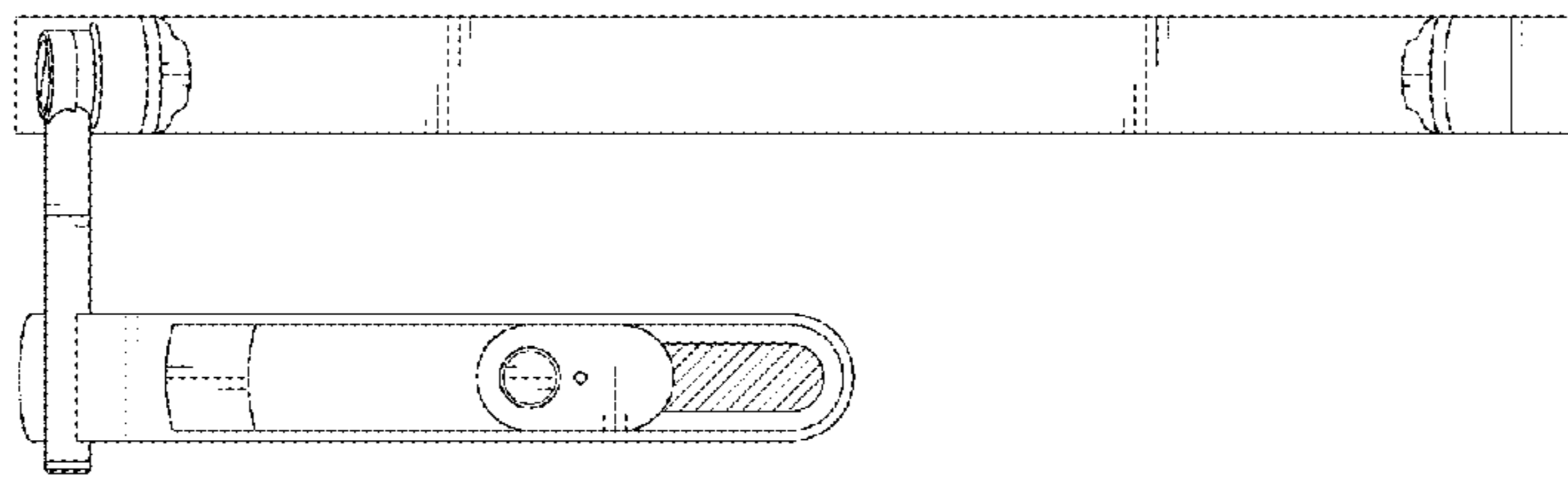


FIG. 10

