



US00D725647S

(12) **United States Design Patent**
Williams

(10) **Patent No.:** **US D725,647 S**
(45) **Date of Patent:** **** Mar. 31, 2015**

(54) **PHOTO KIOSK WITH INTERACTIVE STATIONS**

(75) Inventor: **Tyler W. Williams**, Dallas, TX (US)

(73) Assignee: **Photomadic LLC**, Dallas, TX (US)

(**) Term: **14 Years**

(21) Appl. No.: **29/428,282**

(22) Filed: **Jul. 27, 2012**

(51) **LOC (10) Cl.** **14-02**

(52) **U.S. Cl.**
USPC **D14/307**

(58) **Field of Classification Search**
CPC G06Q 20/18
USPC D14/307, 306, 305, 304, 303, 302, 900,
D14/901, 902; D13/163, 162; 361/679.02,
361/679.21; D20/10; D10/108; D21/332,
D21/325; 187/395, 396

See application file for complete search history.

(56) **References Cited**

U.S. PATENT DOCUMENTS

D353,404 S *	12/1994	Fletcher et al.	D20/10
D404,500 S *	1/1999	Thomas et al.	D25/16
D415,736 S *	10/1999	Witte	D14/307
D455,536 S *	4/2002	Lowe	D99/28
D515,838 S *	2/2006	Cravens et al.	D6/397
D645,223 S *	9/2011	Bleck et al.	D99/28
D661,292 S *	6/2012	Kuroda et al.	D14/307
D677,714 S *	3/2013	Helgesson et al.	D18/4.4
D702,914 S *	4/2014	Budde et al.	D99/28

D710,065 S *	7/2014	Rashkovan et al.	D99/43
2009/0057398 A1 *	3/2009	Douglass et al.	235/379
2012/0022890 A1 *	1/2012	Williams et al.	705/3

* cited by examiner

Primary Examiner — George D Kirschbaum

Assistant Examiner — Kendra L Hamilton

(74) *Attorney, Agent, or Firm* — Howison & Arnott, L.L.P.

(57) **CLAIM**

The ornamental design for a photo kiosk with interactive stations, as shown and described.

DESCRIPTION

FIG. 1 is a right front perspective view of a photo kiosk with interactive stations in accordance with a first embodiment of the design;

FIG. 2 is a left rear perspective view of the design of FIG. 1;

FIG. 3 is a front view of the design of FIG. 1;

FIG. 4 is a top view of the design of FIG. 1;

FIG. 5 is a right front perspective view of a photo kiosk with interactive stations in accordance with a second embodiment of the design;

FIG. 6 is a left rear perspective view of the design of FIG. 5;

FIG. 7 is a front view of the design of FIG. 5; and,

FIG. 8 is a top view of the design of FIG. 5.

The broken lines within the bounds of the photo kiosk with interactive stations represent unclaimed portions of the design that form no part of the claimed design.

1 Claim, 4 Drawing Sheets

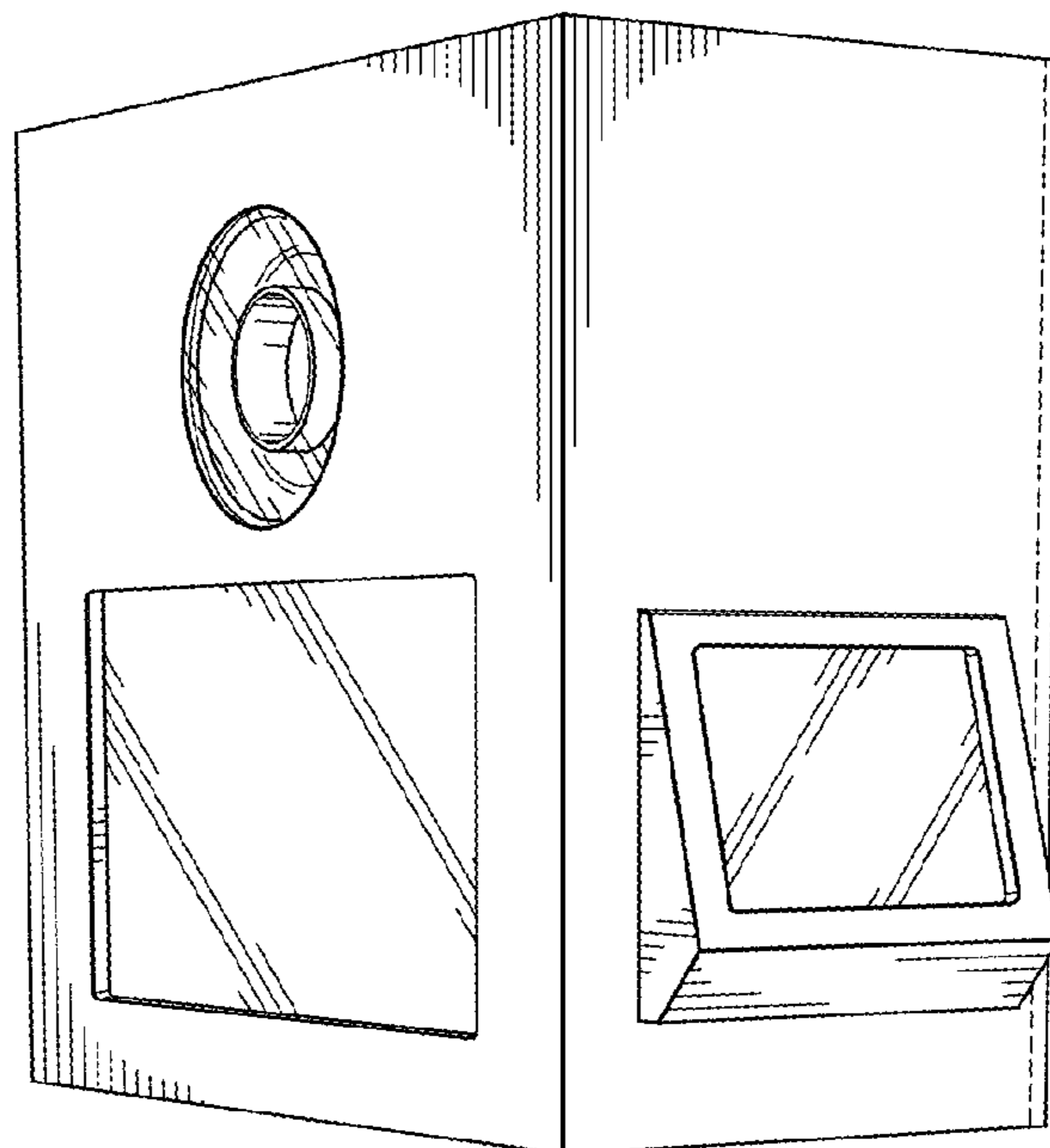


FIG. 1

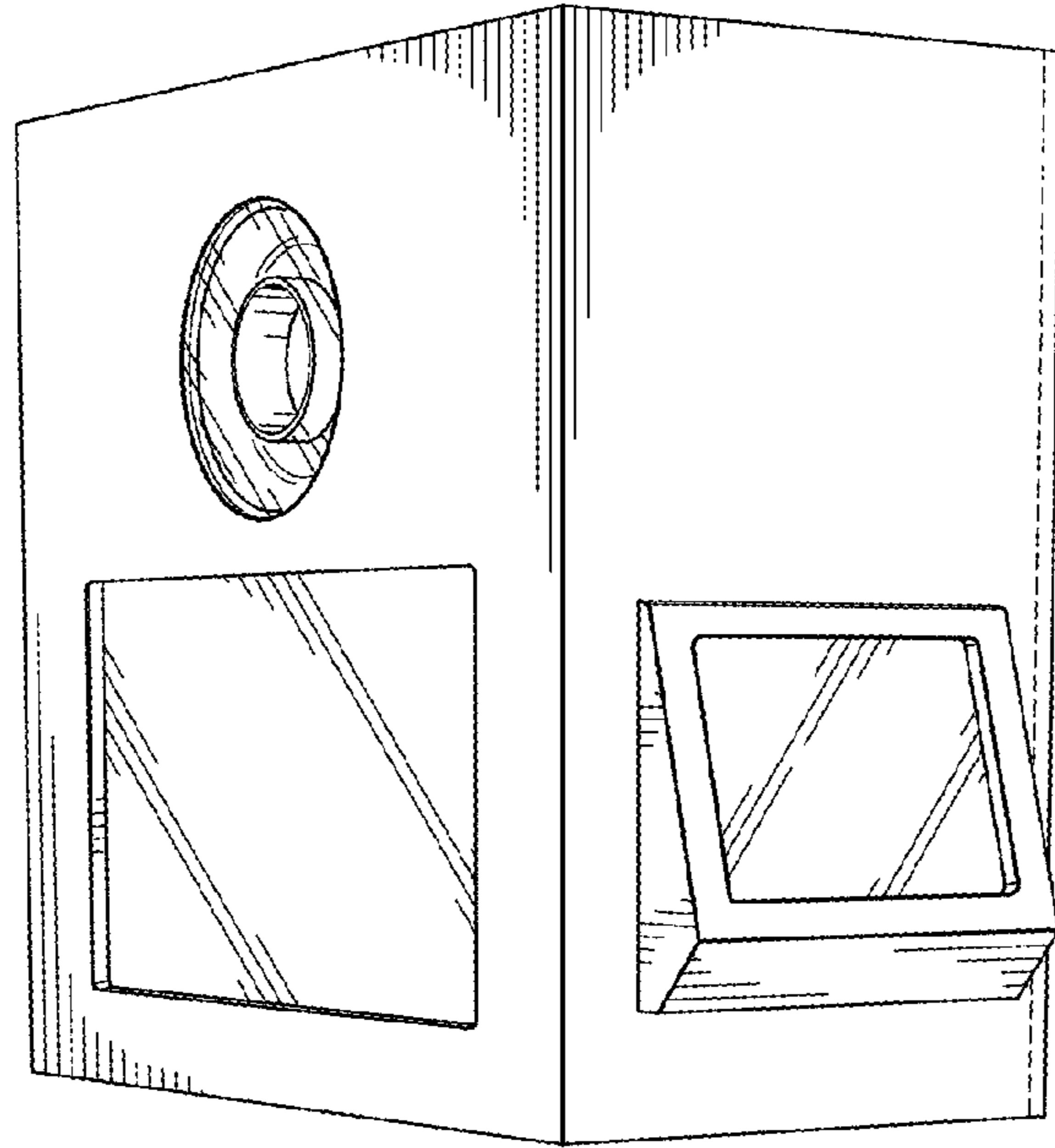
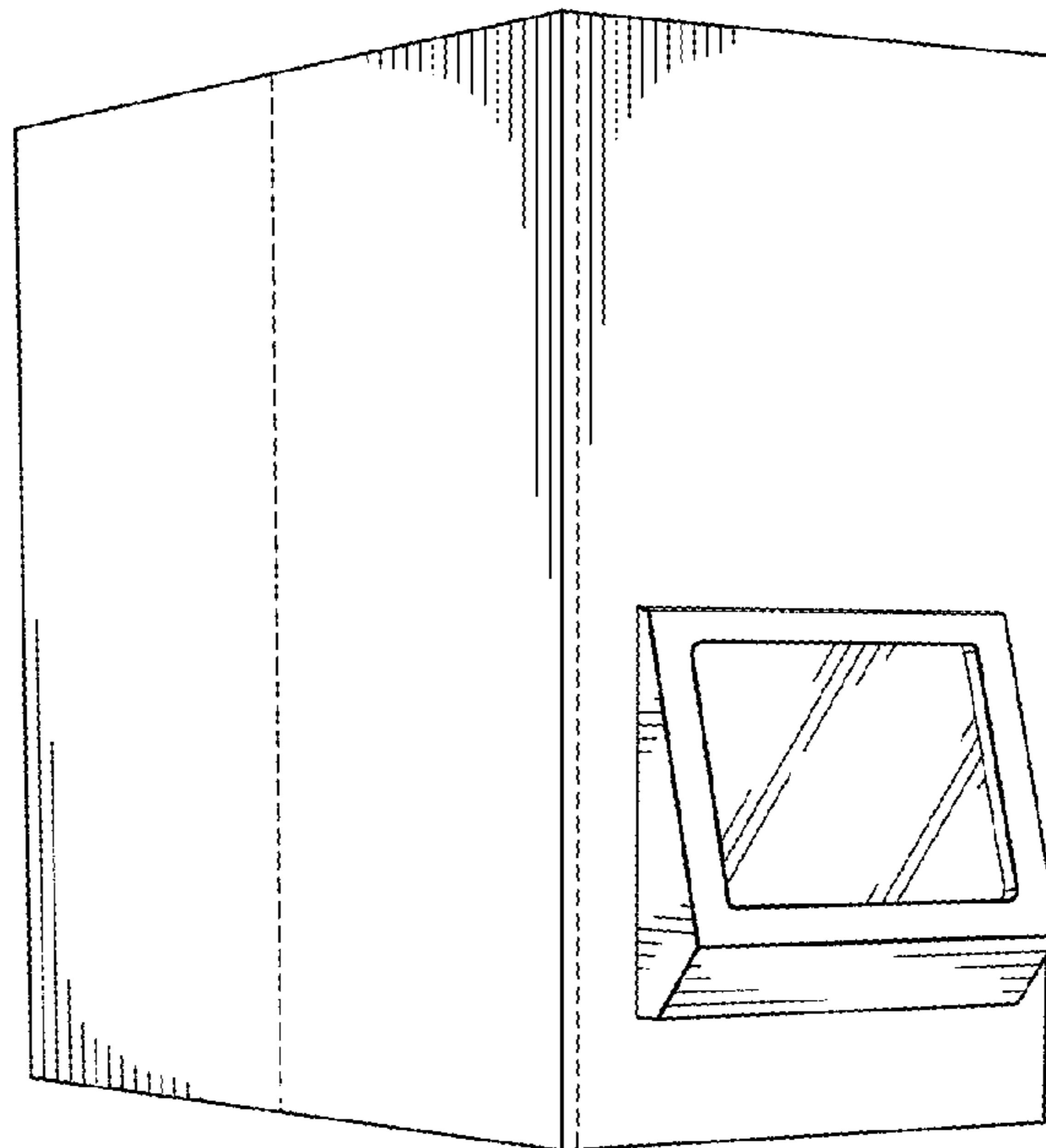


FIG. 2



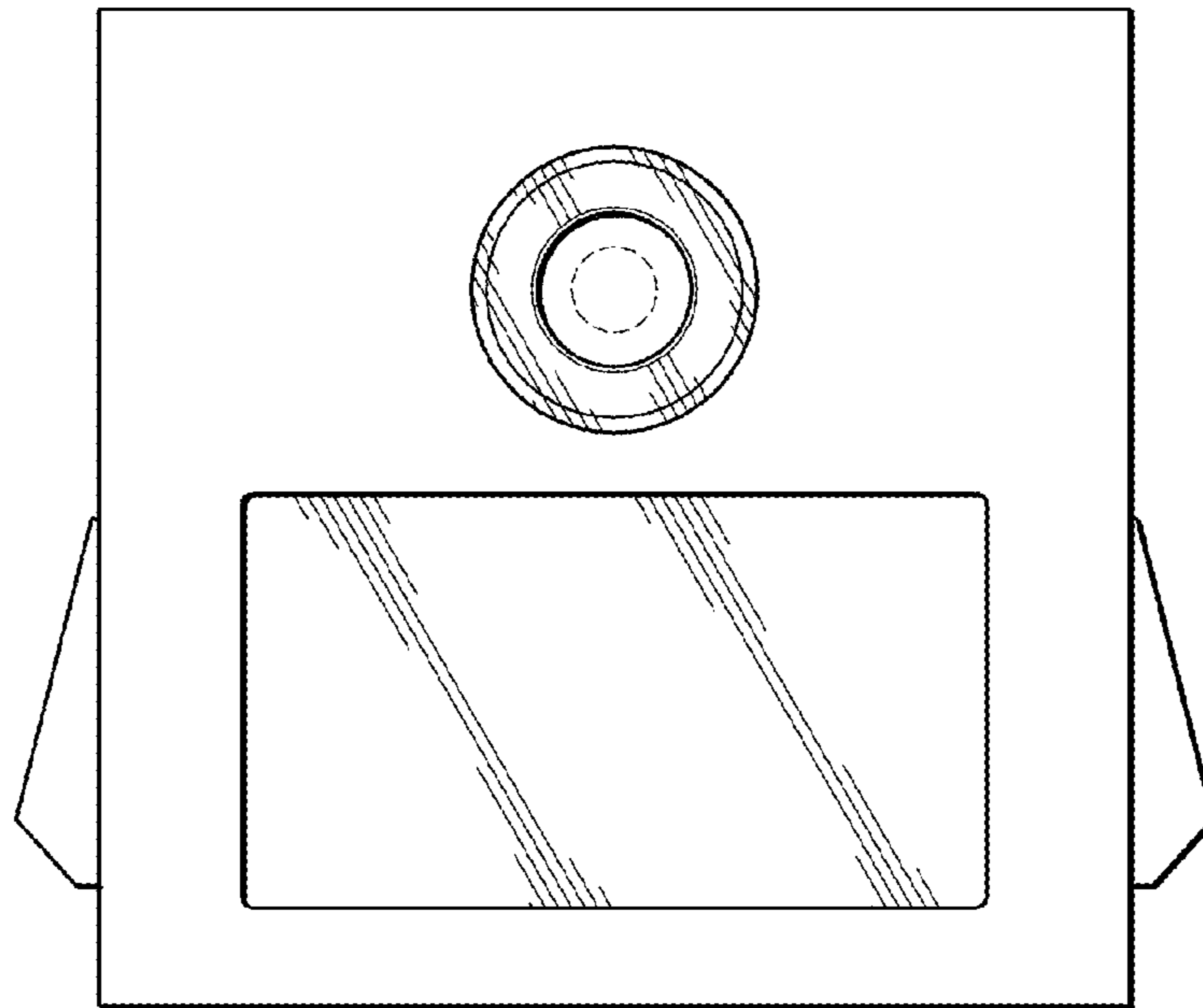


FIG. 3

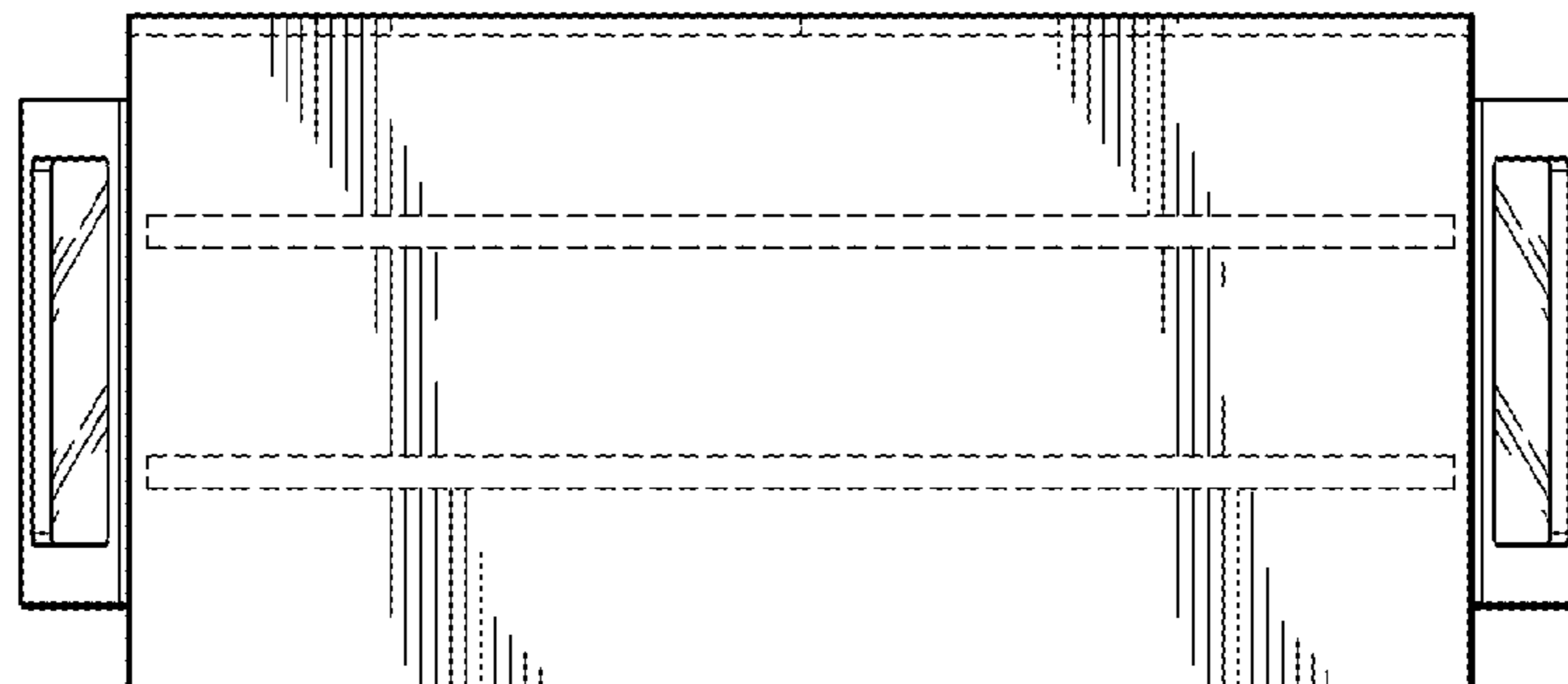


FIG. 4

FIG. 5

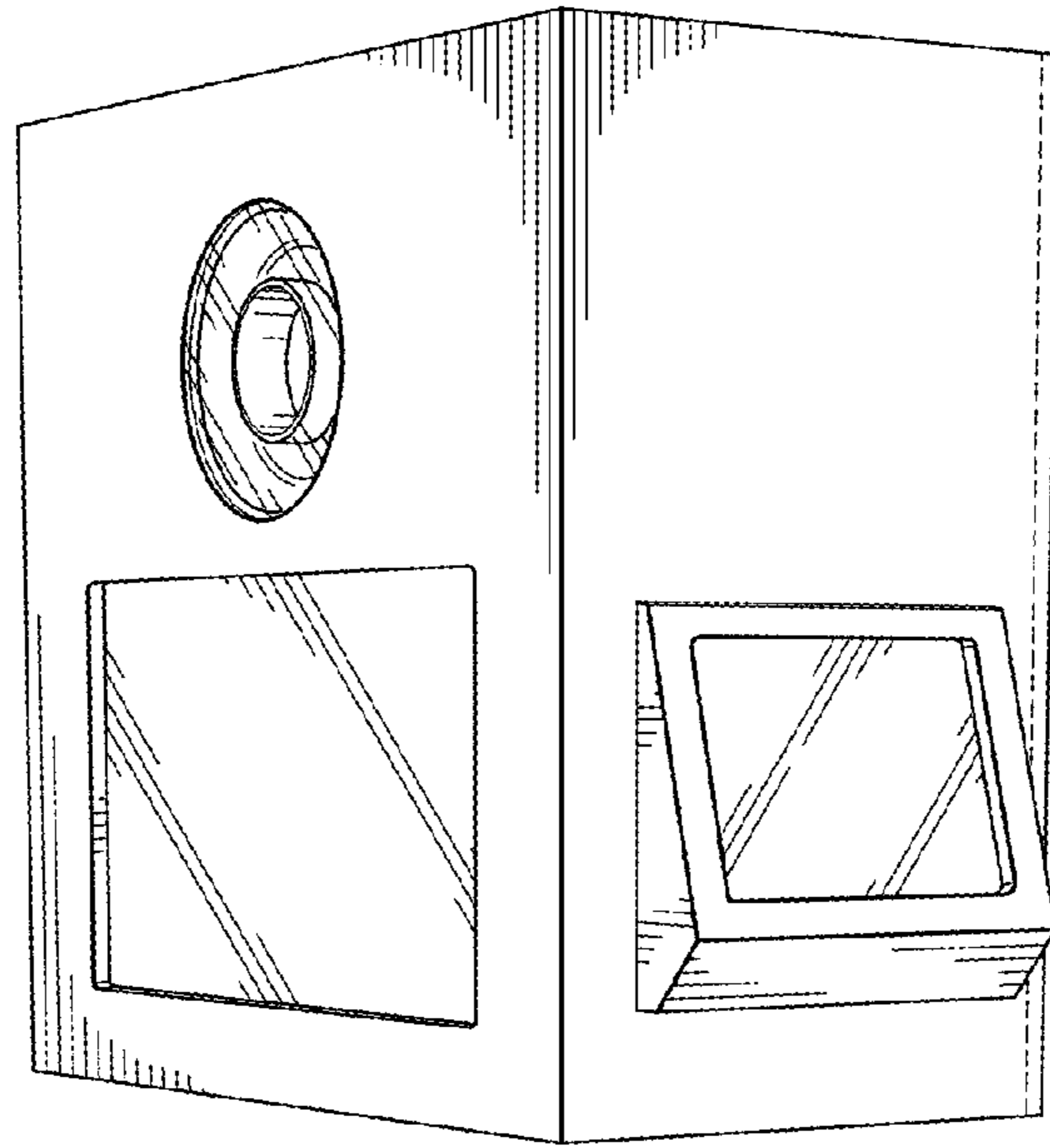
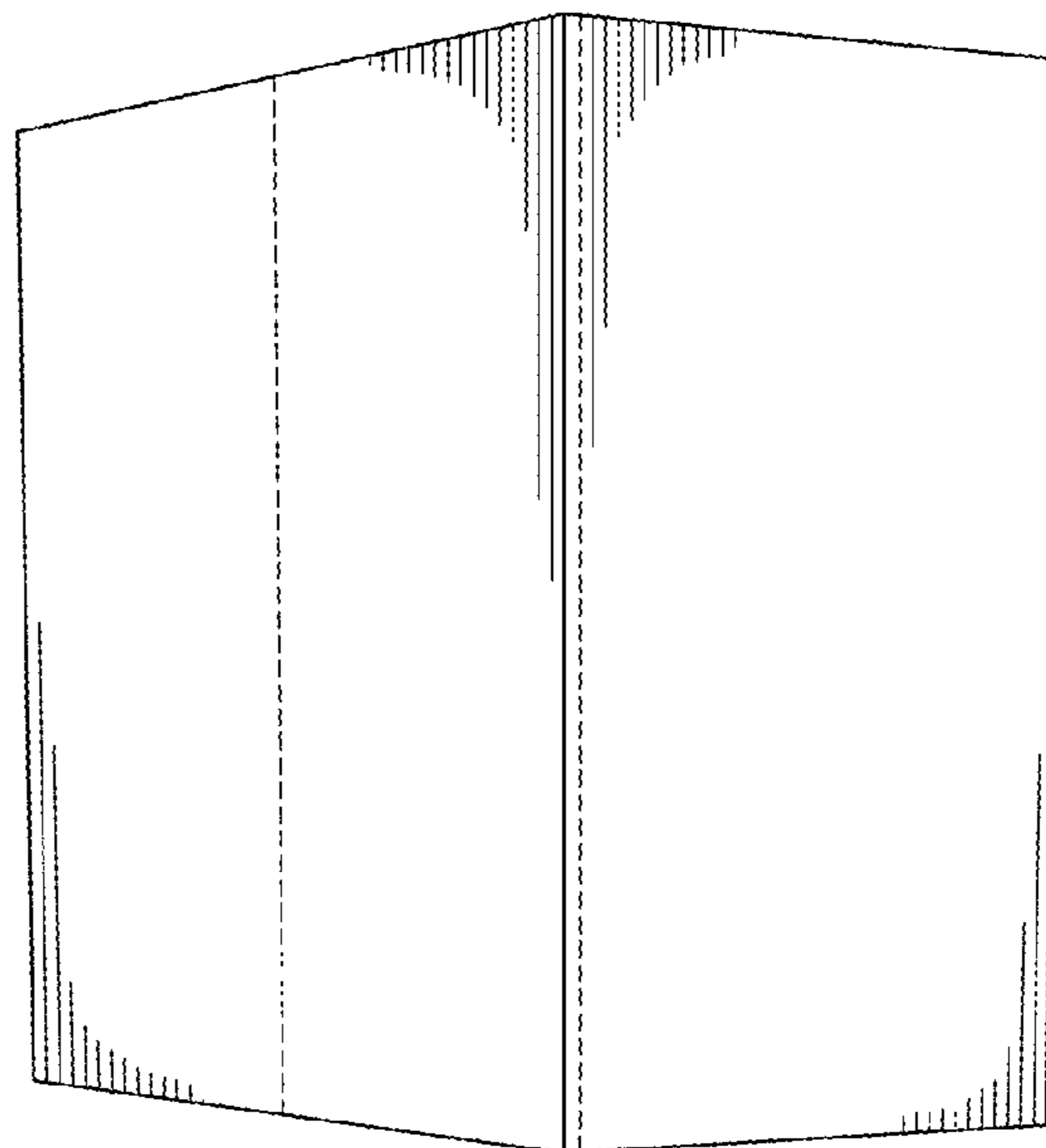


FIG. 6



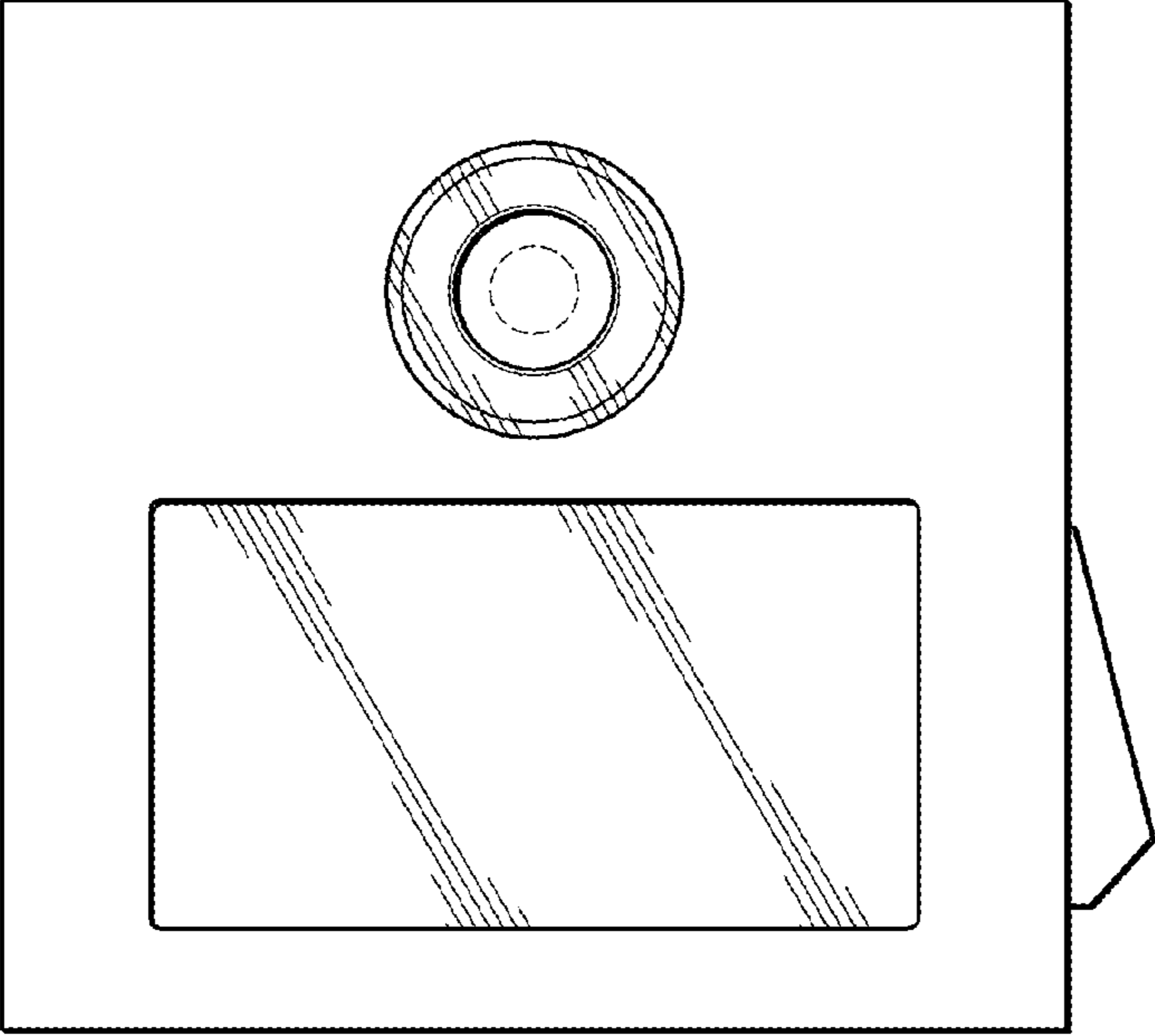


FIG. 7

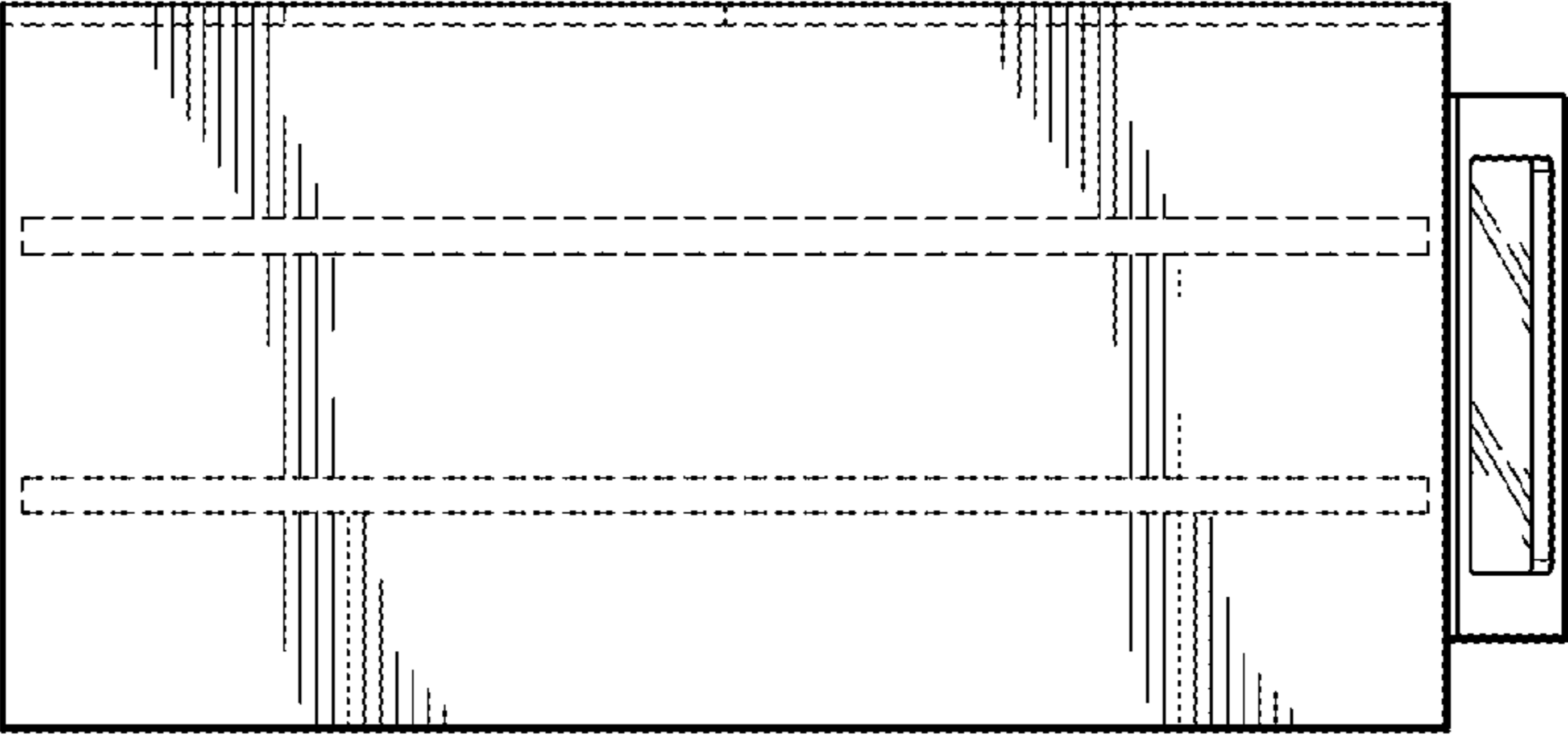


FIG. 8