



US00D725646S

(12) **United States Design Patent**
Minn et al.

(10) **Patent No.:** **US D725,646 S**
(45) **Date of Patent:** **** Mar. 31, 2015**

(54) **SMARTPHONE TRIPOD CONNECTOR**

FOREIGN PATENT DOCUMENTS

(71) Applicant: **Kenu, Inc.**, San Francisco, CA (US)

WO D055278-001 * 4/2001

(72) Inventors: **Kenneth Y. Minn**, San Francisco, CA (US); **David E. Yao**, San Francisco, CA (US); **Leonard John Duran**, Mill Valley, CA (US)

* cited by examiner

Primary Examiner — Susan Bennett Hattan

Assistant Examiner — Leanne Was

(73) Assignee: **Kenu, Inc.**, San Francisco, CA (US)

(74) *Attorney, Agent, or Firm* — Novak Druce Connolly Bove + Quigg LLP

(**) Term: **14 Years**

(57) **CLAIM**

We claim the ornamental design for a smartphone tripod connector, as shown and described.

(21) Appl. No.: **29/476,446**

(22) Filed: **Dec. 13, 2013**

DESCRIPTION

(51) **LOC (10) Cl.** **14-03**

(52) **U.S. Cl.**

USPC **D14/256**

(58) **Field of Classification Search**

USPC D3/215, 218; D14/251, 252, 253, 256, D14/341, 344, 357, 432, 433, 434; 224/666, 224/667, 668

See application file for complete search history.

FIG. 1 is a perspective view of a smartphone tripod connector; FIG. 2 is a rearward perspective view thereof; FIG. 3 is frontal perspective view thereof; FIG. 4 is a right side elevational view thereof; FIG. 5 is a left side elevational view thereof; FIG. 6 is a rear elevational view thereof; FIG. 7 is a front elevational view thereof; FIG. 8 is a top plan view thereof; and, FIG. 9 is a bottom plan view thereof.

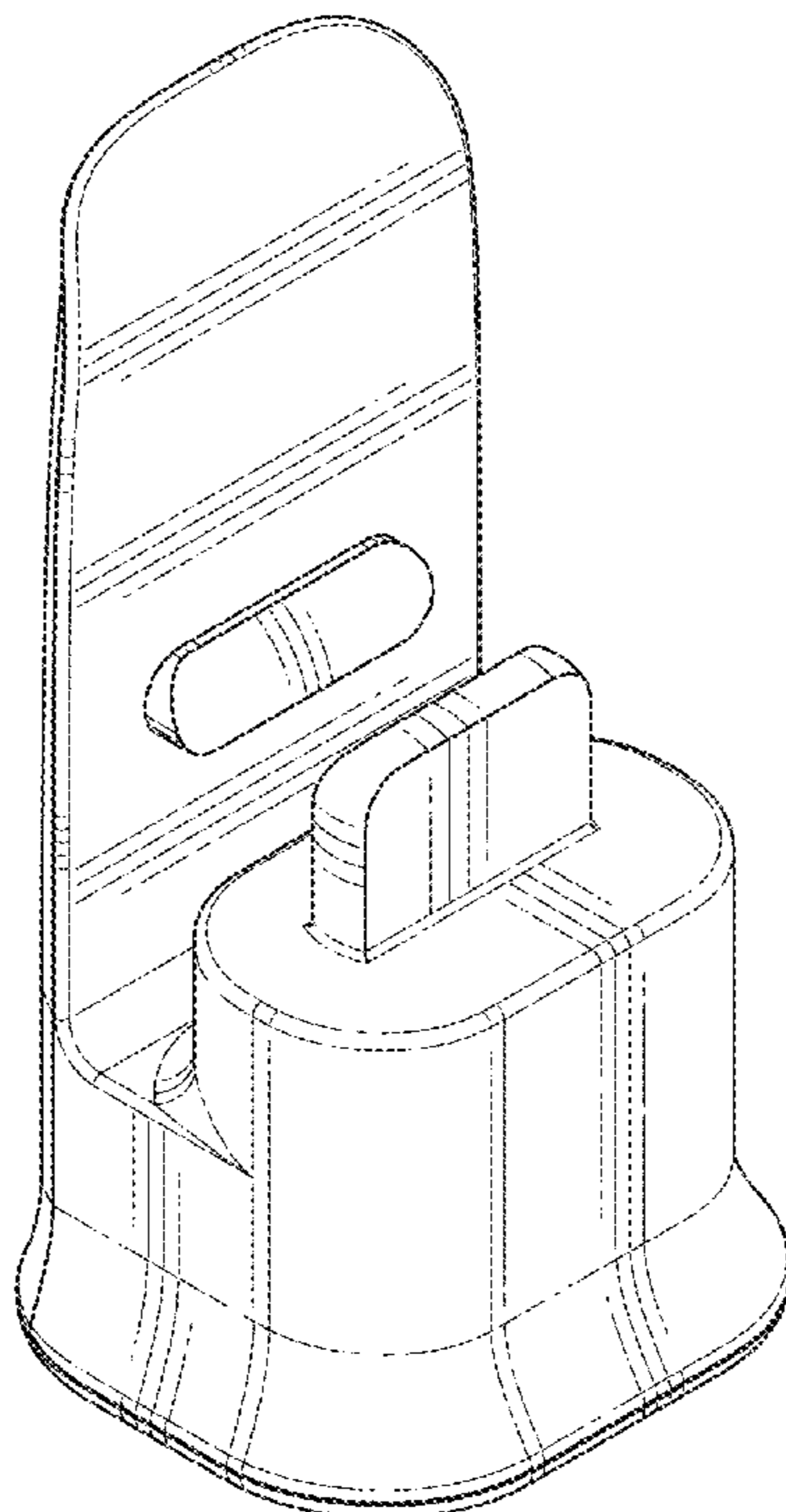
Broken lines in FIG. 1 are used to illustrate an example smartphone and smartphone protector connected to the smartphone tripod connector; broken lines in FIGS. 3-5, 7 and 9 are used to illustrate unclaimed portions of the smartphone tripod connector; broken lines form no part of the claimed design.

(56) **References Cited**

U.S. PATENT DOCUMENTS

D364,377 S	*	11/1995	Johnson et al.	D13/146
D487,274 S	*	3/2004	Nakamura	D14/483
D514,576 S	*	2/2006	Sung et al.	D14/434
D687,437 S	*	8/2013	Hagenauer	D14/434
D690,760 S	*	10/2013	Huang	D16/242
D718,926 S	*	12/2014	Minn et al.	D3/218

1 Claim, 8 Drawing Sheets



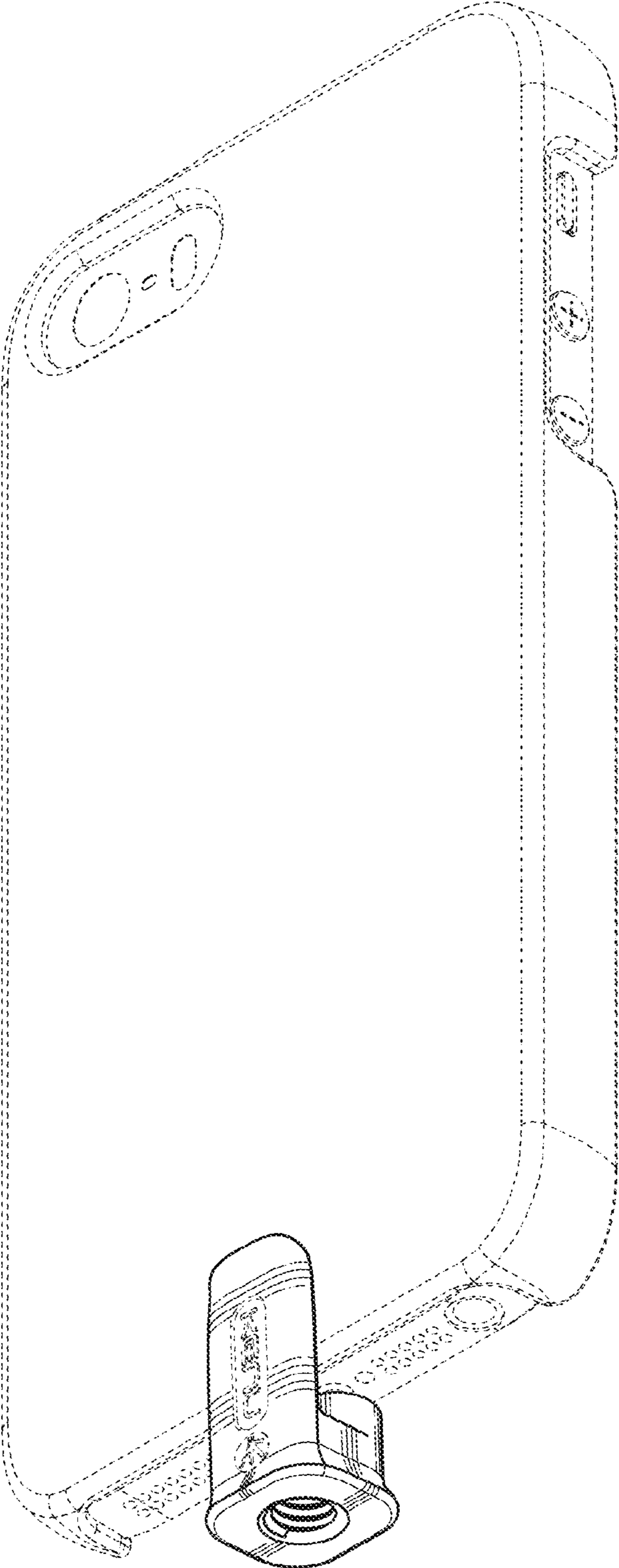


FIG. 1

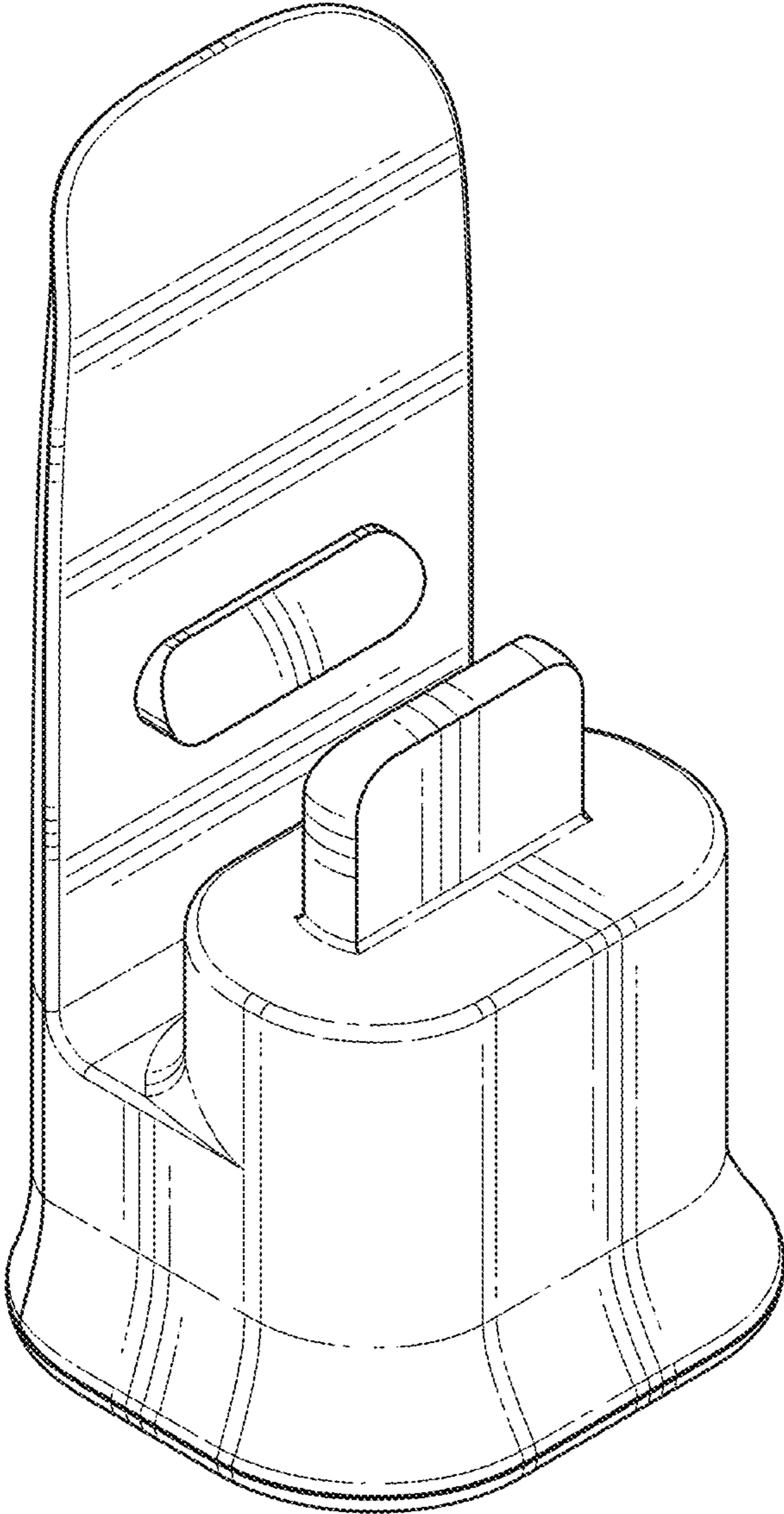


FIG. 2

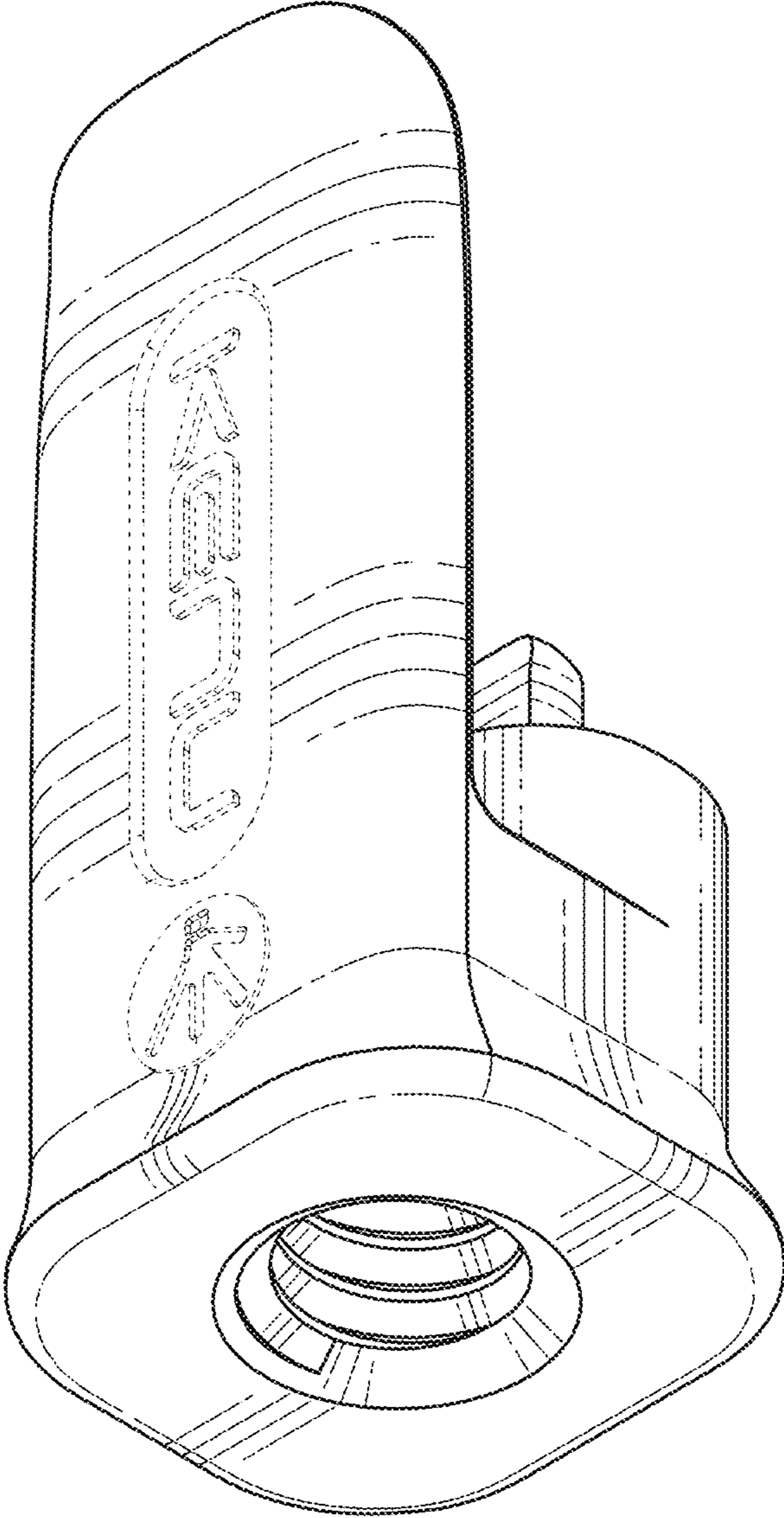


FIG. 3

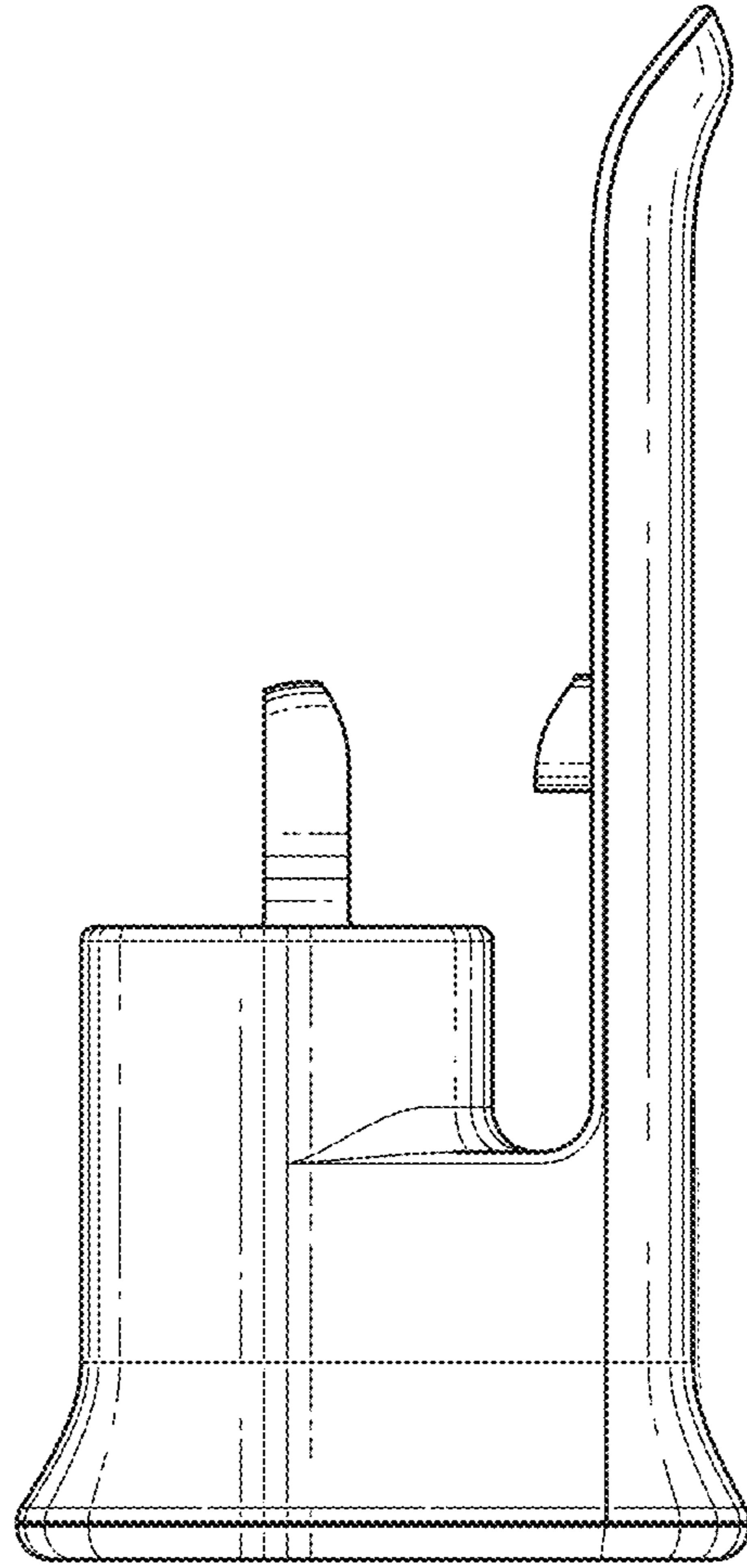


FIG. 4

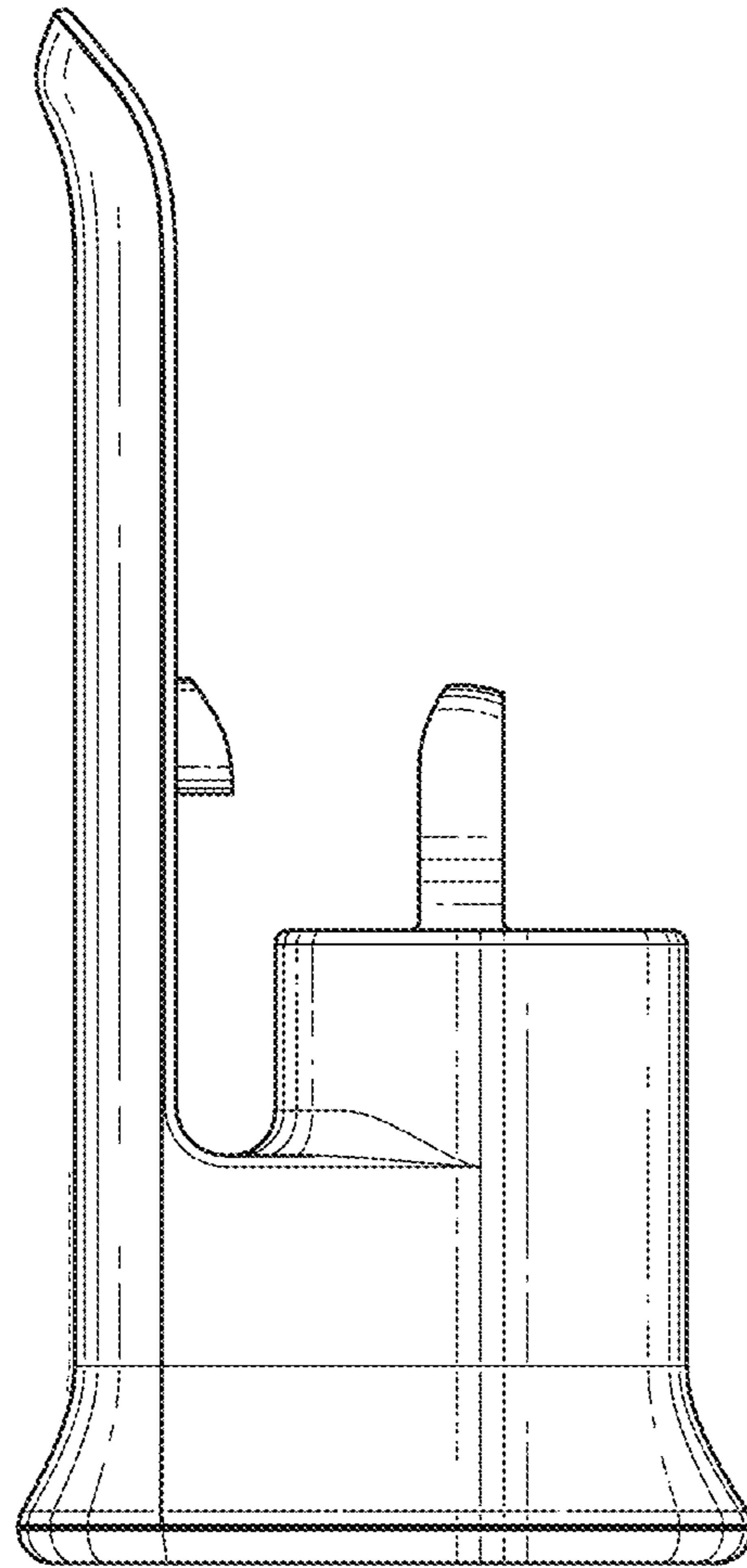


FIG. 5

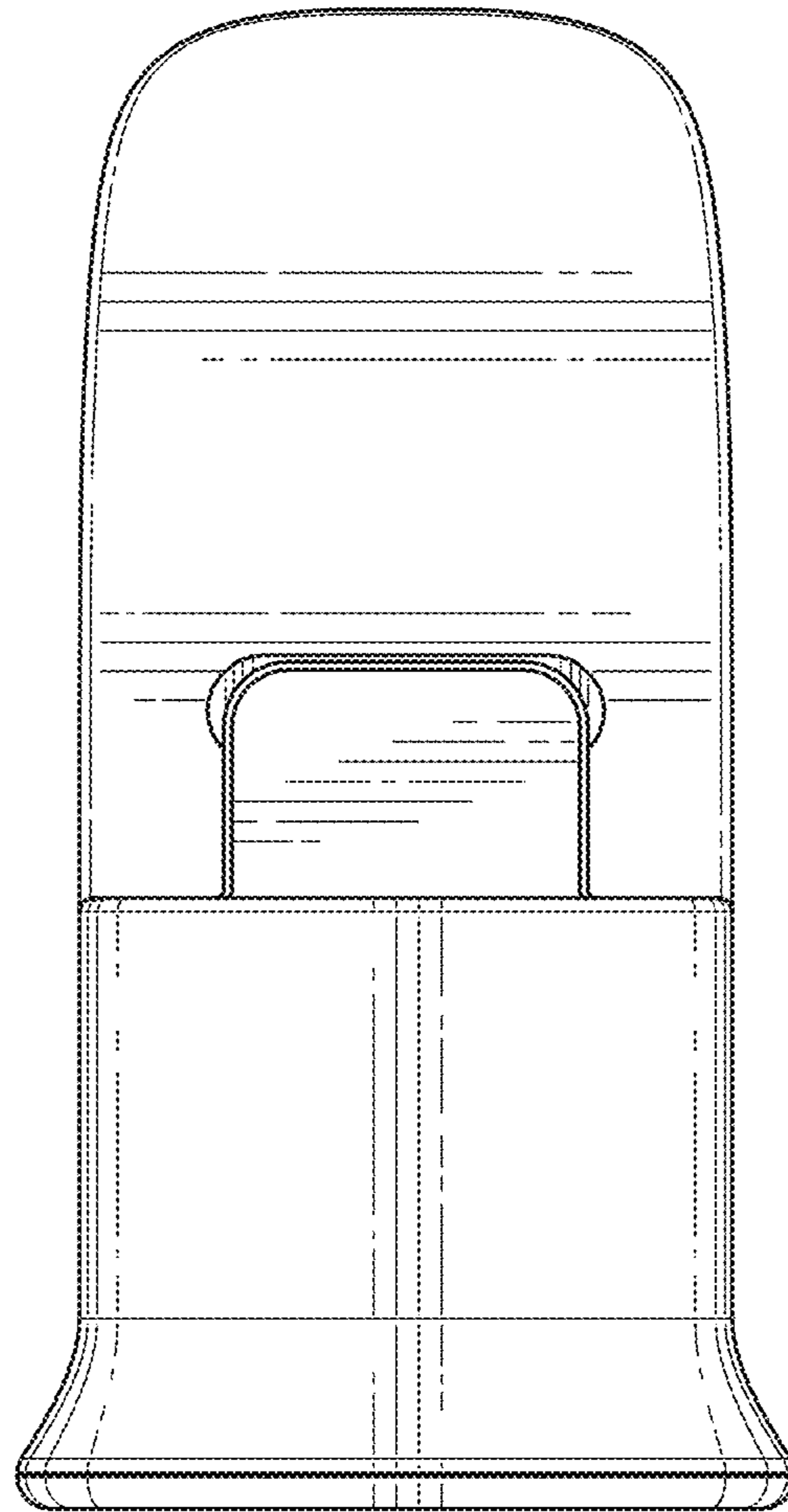


FIG. 6

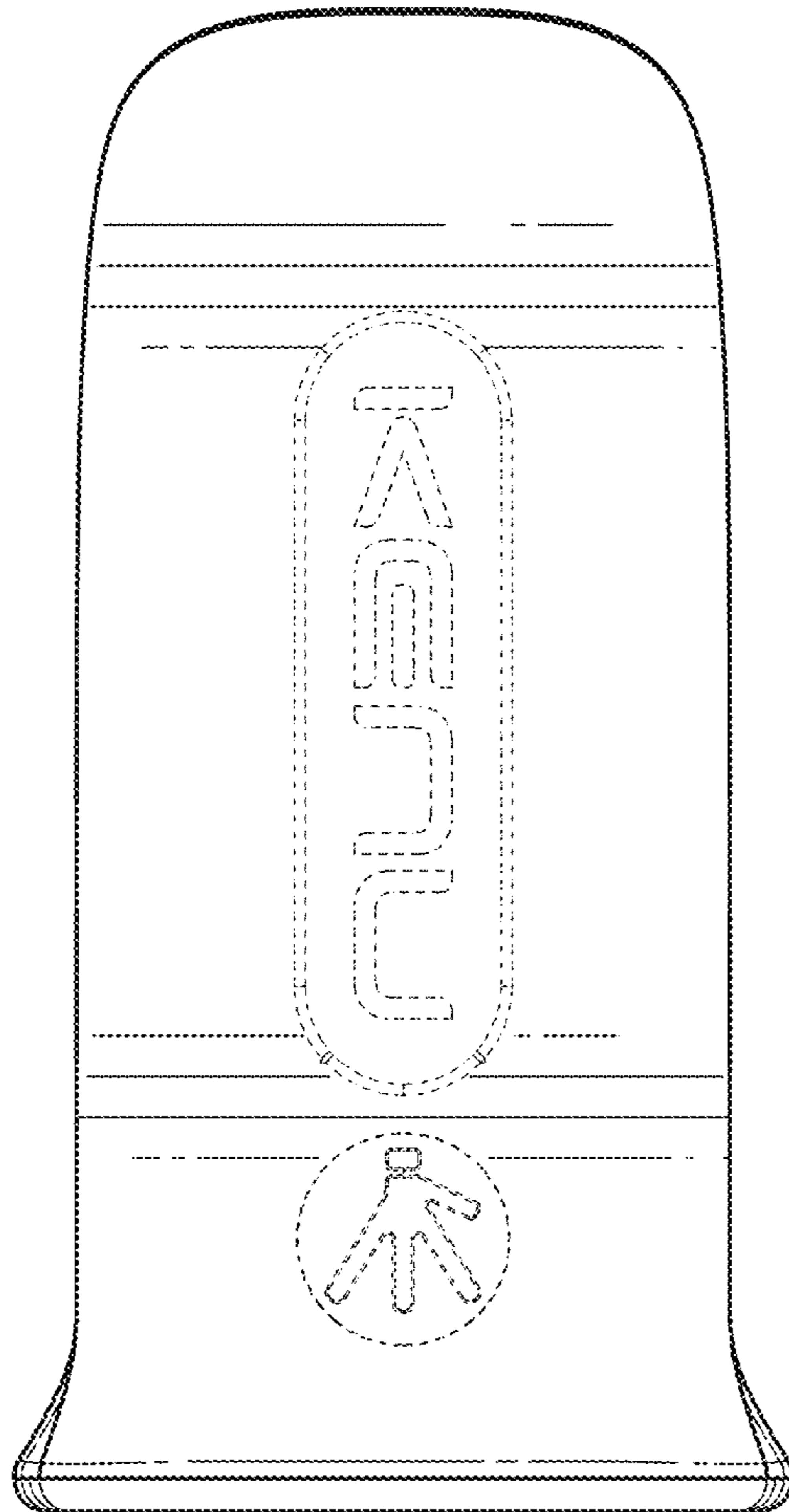


FIG. 7

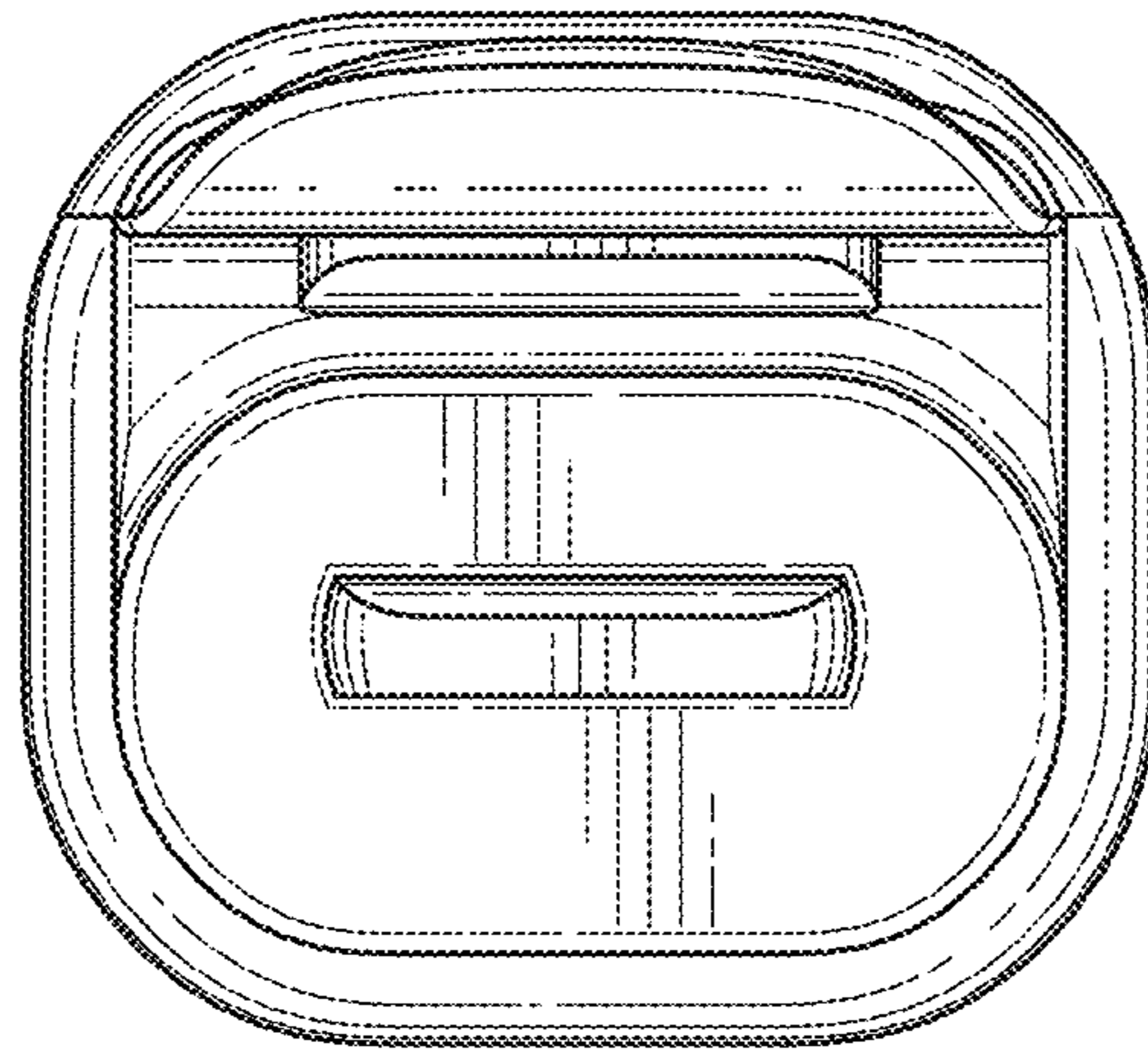


FIG. 8

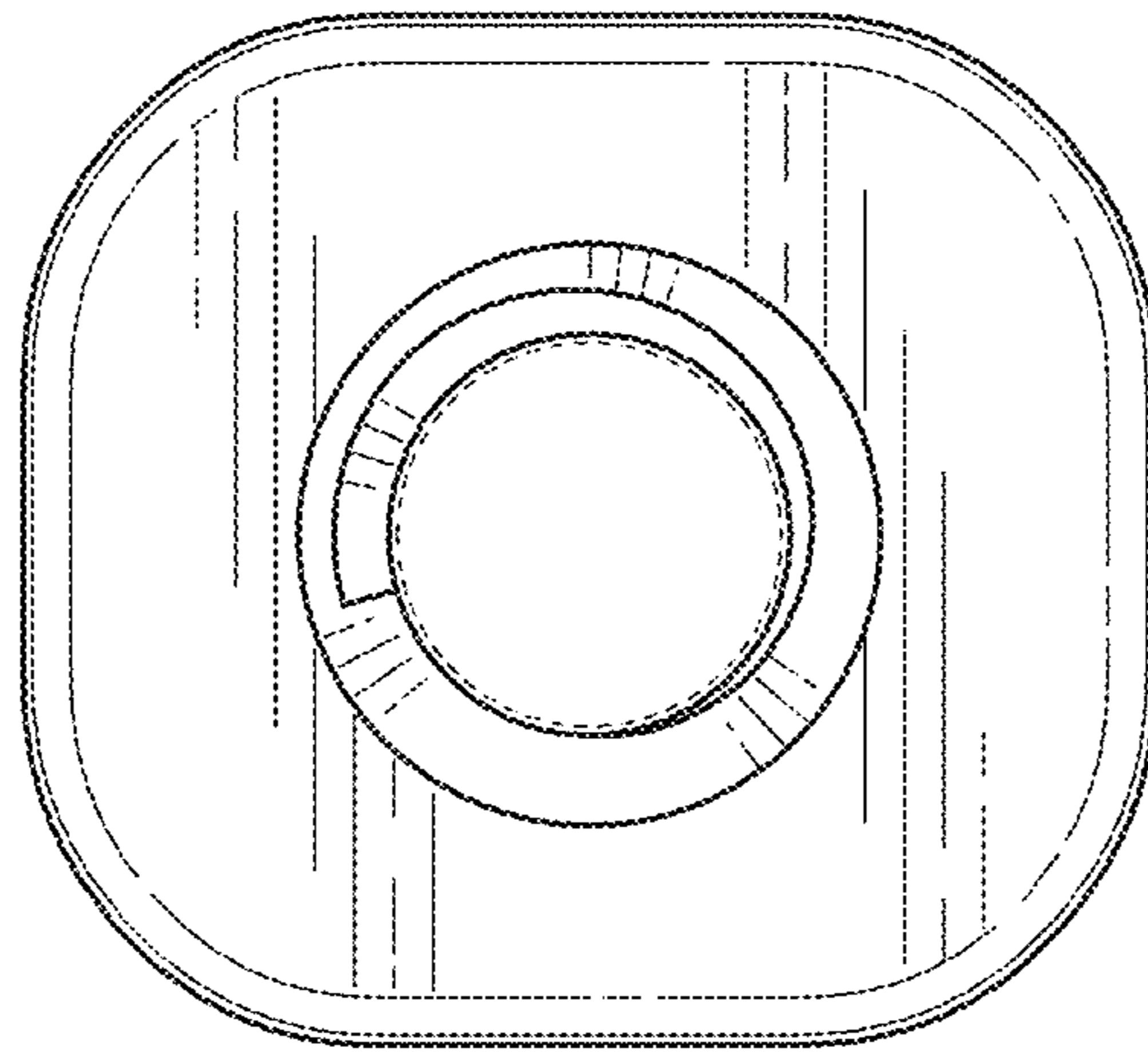


FIG. 9