



US00D725639S

(12) **United States Design Patent**
Kim

(10) **Patent No.:** **US D725,639 S**
(45) **Date of Patent:** **** Mar. 31, 2015**

- (54) **STAND FOR TV RECEIVER**
- (71) Applicant: **Samsung Electronics Co., Ltd.**,
Suwon-si (KR)
- (72) Inventor: **Jigwang Kim**, Seoul (KR)
- (73) Assignee: **Samsung Electronics Co., Ltd.**,
Suwon-si (KR)

- (**) Term: **14 Years**
- (21) Appl. No.: **29/477,796**
- (22) Filed: **Dec. 27, 2013**

- (30) **Foreign Application Priority Data**
Jul. 5, 2013 (KR) 30-2013-0034572
- (51) **LOC (10) Cl.** **14-03**
- (52) **U.S. Cl.**
USPC **D14/239**
- (58) **Field of Classification Search**
USPC D14/125-129, 239, 371-375, 336, 337;
341/12; 345/104, 156, 168, 173;
348/180, 184, 325, 739; 349/1, 2, 11,
349/62; 361/679.05-679.07, 679.21;
D6/300, 308
See application file for complete search history.

- (56) **References Cited**
U.S. PATENT DOCUMENTS
2,506,844 A * 5/1950 Smith 312/107
D175,914 S * 10/1955 Schild D6/397
D467,897 S * 12/2002 Lin D14/211

- D529,314 S * 10/2006 Tako D6/477
- D548,486 S * 8/2007 Niitsu D6/466
- D557,956 S * 12/2007 Derocher et al. D6/509
- D570,620 S * 6/2008 Ongor D6/479
- D571,779 S * 6/2008 Matsuoka D14/168
- D620,283 S * 7/2010 Calco D6/477
- D689,836 S * 9/2013 Park D14/126
- D690,142 S * 9/2013 Arko et al. D6/681
- D691,979 S * 10/2013 Park D14/126

* cited by examiner

Primary Examiner — Randall Gholson
(74) *Attorney, Agent, or Firm* — NSIP Law

(57) **CLAIM**
The ornamental design for a stand for TV receiver, as shown and described.

DESCRIPTION

FIG. 1 is a front perspective view of a stand for TV receiver showing my new design;
 FIG. 2 is a front view thereof;
 FIG. 3 is a rear view thereof;
 FIG. 4 is a left-side view thereof;
 FIG. 5 is a right-side view thereof;
 FIG. 6 is a top view thereof;
 FIG. 7 is a bottom view thereof;
 FIG. 8 is an enlarged cross-sectional view of an encircled portion in FIG. 2; and,
 FIG. 9 is another front perspective view, in which a TV receiver is provided in broken lines to illustrate an example environment.
 The broken lines are for environmental purposes only and form no part of the claimed design.

1 Claim, 9 Drawing Sheets

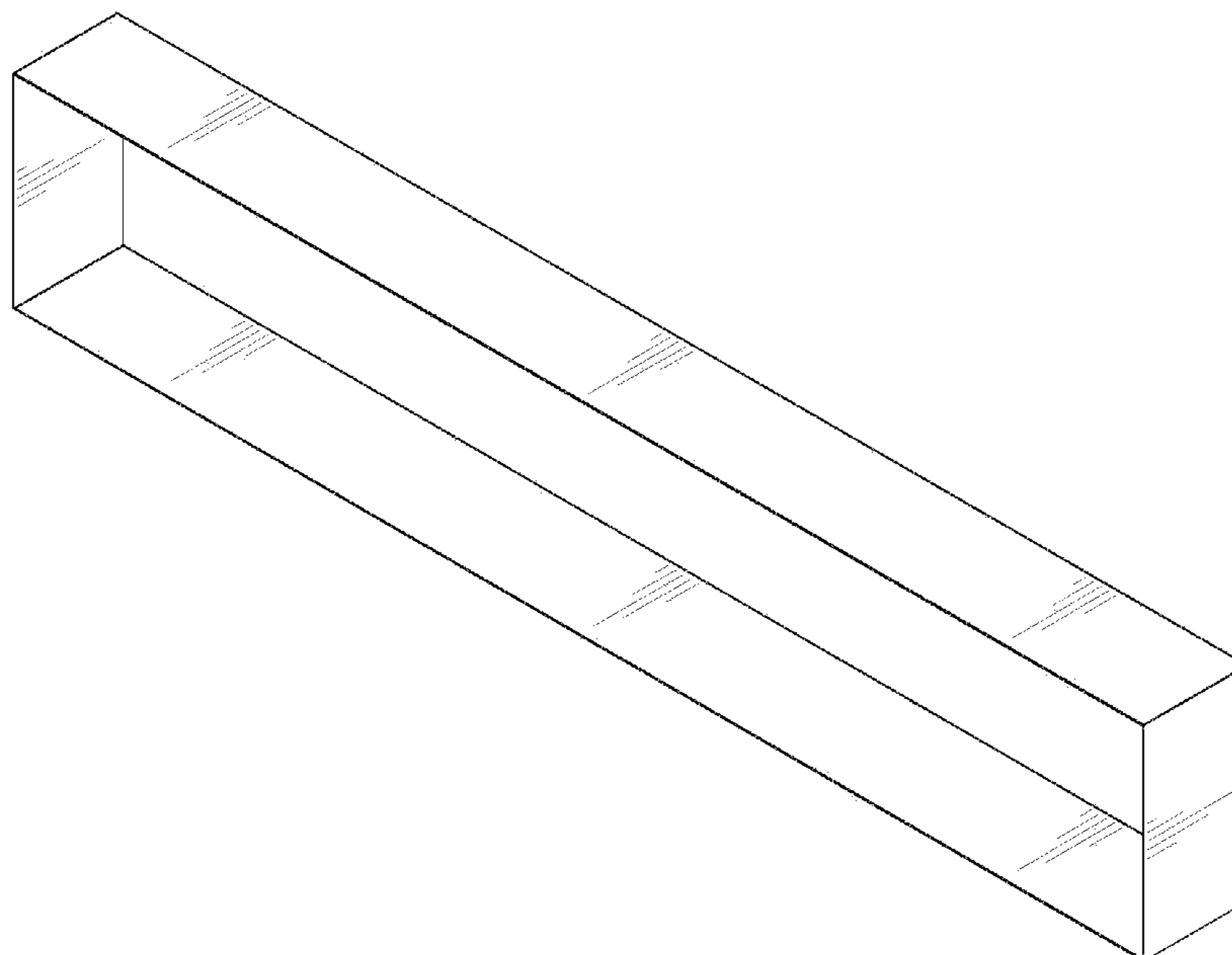


FIG. 1

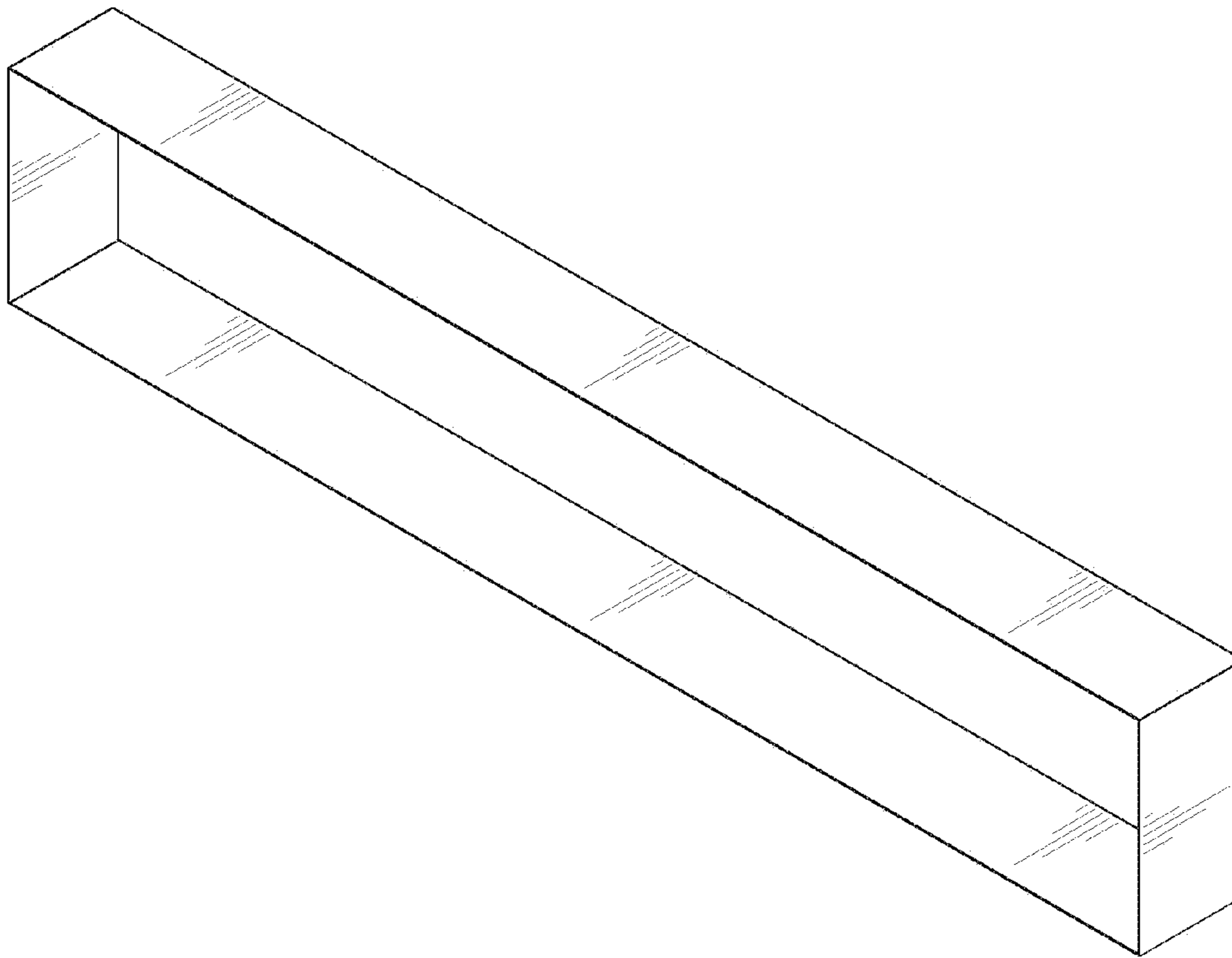


FIG. 2

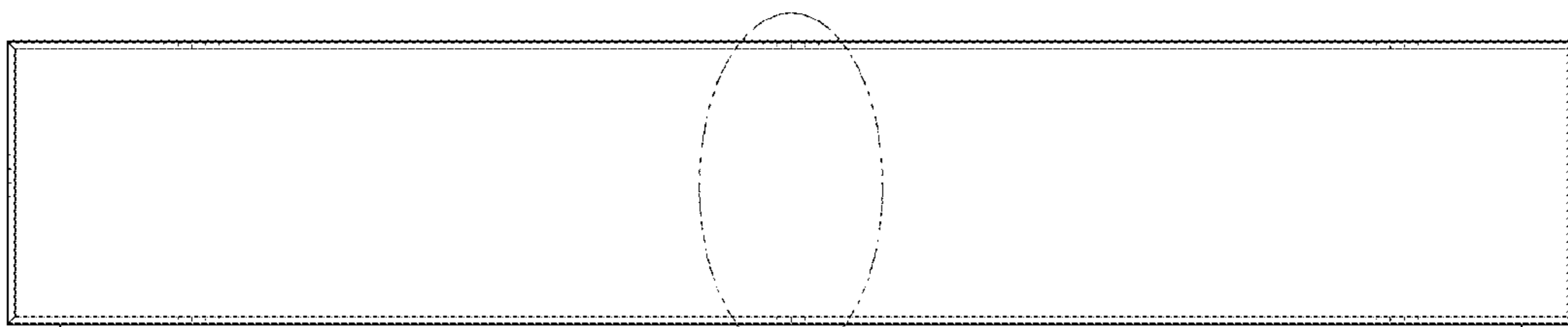


FIG. 8

FIG. 3

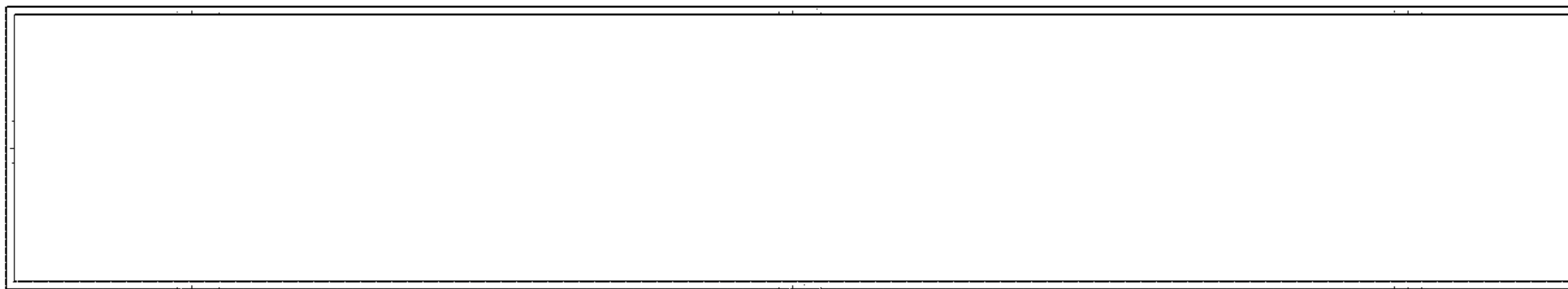


FIG. 4

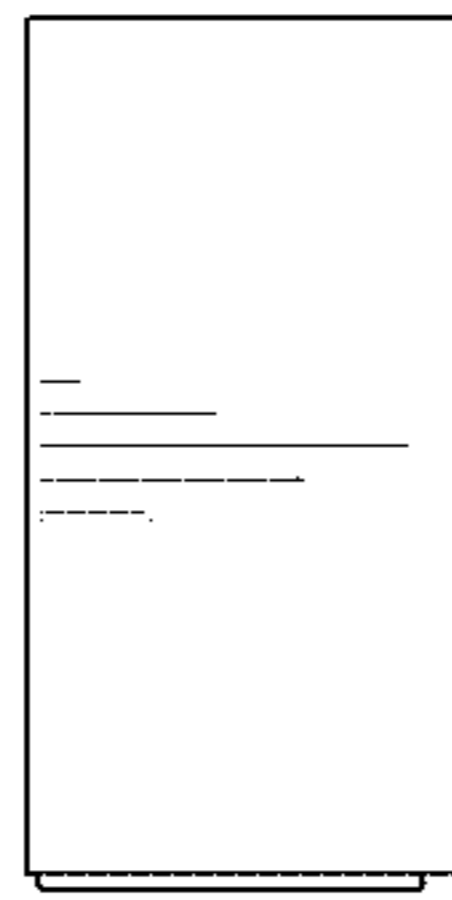


FIG. 5

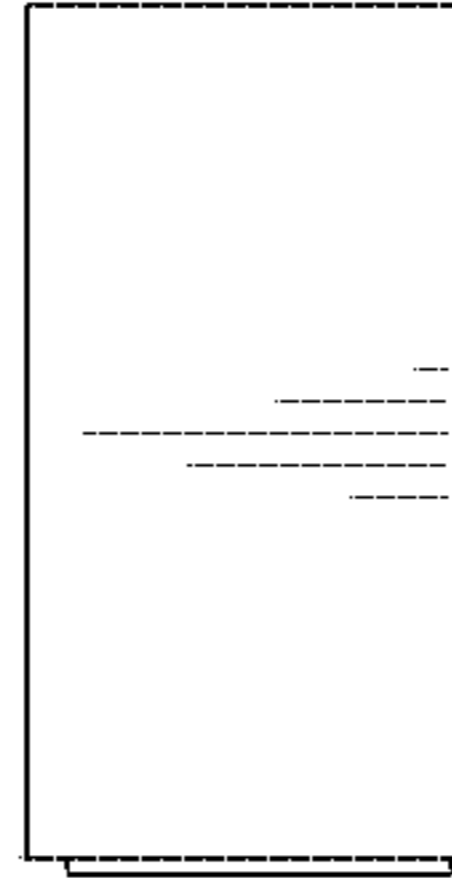


FIG. 6

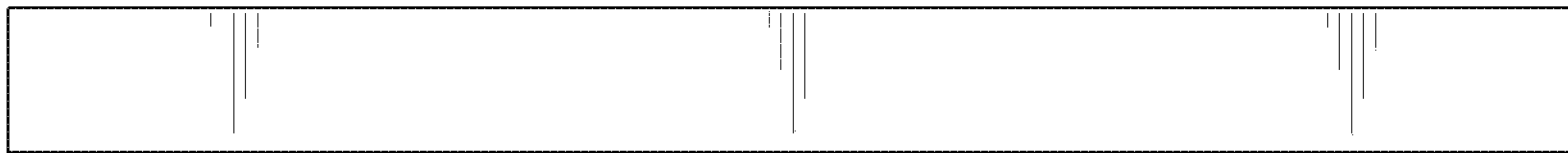


FIG. 7

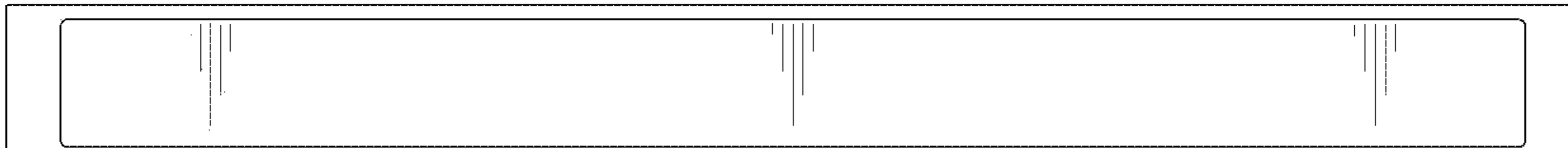


FIG. 8

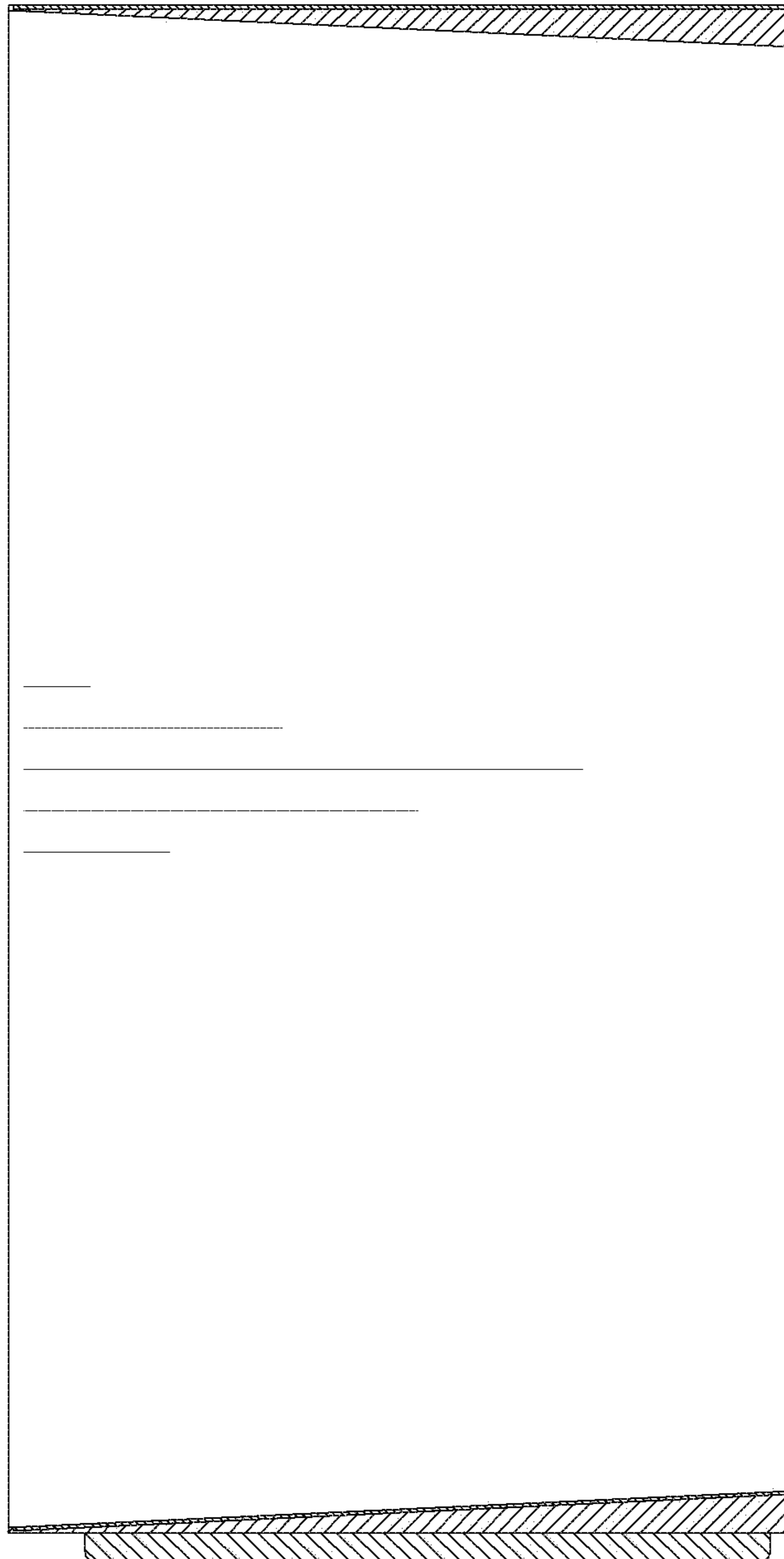


FIG. 9

