



US00D725637S

(12) **United States Design Patent**
Nakajima

(10) **Patent No.:** **US D725,637 S**
(45) **Date of Patent:** **** Mar. 31, 2015**

(54) **EARPHONE**

(71) Applicant: **Panasonic Corporation**, Osaka (JP)

(72) Inventor: **Masayuki Nakajima**, Osaka (JP)

(73) Assignee: **Panasonic Intellectual Property Management Co., Ltd.**, Osaka (JP)

(**) Term: **14 Years**

(21) Appl. No.: **29/488,724**

(22) Filed: **Apr. 23, 2014**

(30) **Foreign Application Priority Data**

Nov. 29, 2013 (JP) 2013-027974

(51) **LOC (10) Cl.** **14-01**

(52) **U.S. Cl.**
USPC **D14/223**

(58) **Field of Classification Search**
CPC H04R 1/10
USPC D14/205, 223; D24/174; 181/129, 130,
181/135; 379/430, 431; 381/380, 381;
455/90.3, 575.1
See application file for complete search history.

(56) **References Cited**

U.S. PATENT DOCUMENTS

2,641,327	A *	6/1953	Balmer	181/129
5,412,736	A *	5/1995	Keliiliki	381/381
D375,959	S *	11/1996	Davis et al.	D14/223
5,625,171	A *	4/1997	Marshall	181/130
6,233,344	B1 *	5/2001	Clegg et al.	381/374
D447,743	S *	9/2001	Ma	D14/223
6,396,935	B1 *	5/2002	Makkonen	381/334
D468,299	S *	1/2003	Boesen	D14/223
D469,422	S *	1/2003	Nguyen et al.	D14/205
D470,129	S *	2/2003	Hlas et al.	D14/223
D470,479	S *	2/2003	Skulley et al.	D14/223
D474,178	S *	5/2003	Eroma	D14/223
D498,227	S *	11/2004	Dyer et al.	D14/205

D501,196	S *	1/2005	Dyer et al.	D14/205
D504,672	S *	5/2005	Hirano	D14/205
D510,085	S *	9/2005	Suzuki	D14/223
D510,575	S *	10/2005	Leong	D14/223
D518,816	S *	4/2006	Naito et al.	D14/205
D543,968	S *	6/2007	Wong	D14/205
D593,075	S *	5/2009	Williams et al.	D14/223
D603,847	S *	11/2009	Chung	D14/223
7,648,005	B2 *	1/2010	Leong et al.	181/135
D617,778	S *	6/2010	Birger	D14/223
D625,297	S *	10/2010	Tseng et al.	D14/223
D629,397	S *	12/2010	Hensen	D14/223
D635,960	S *	4/2011	Gondo et al.	D14/223
D639,787	S *	6/2011	Quek	D14/223

(Continued)

FOREIGN PATENT DOCUMENTS

JP D1384741 4/2010

Primary Examiner — Paula Greene

(74) *Attorney, Agent, or Firm* — Panasonic Patent Center

(57) **CLAIM**

I claim the ornamental design for an earphone, as shown and described.

DESCRIPTION

FIG. 1 is a front perspective view of an earphone of the present invention;

FIG. 2 is a front view thereof;

FIG. 3 is a rear view thereof;

FIG. 4 is a first side view thereof;

FIG. 5 is a second side view thereof;

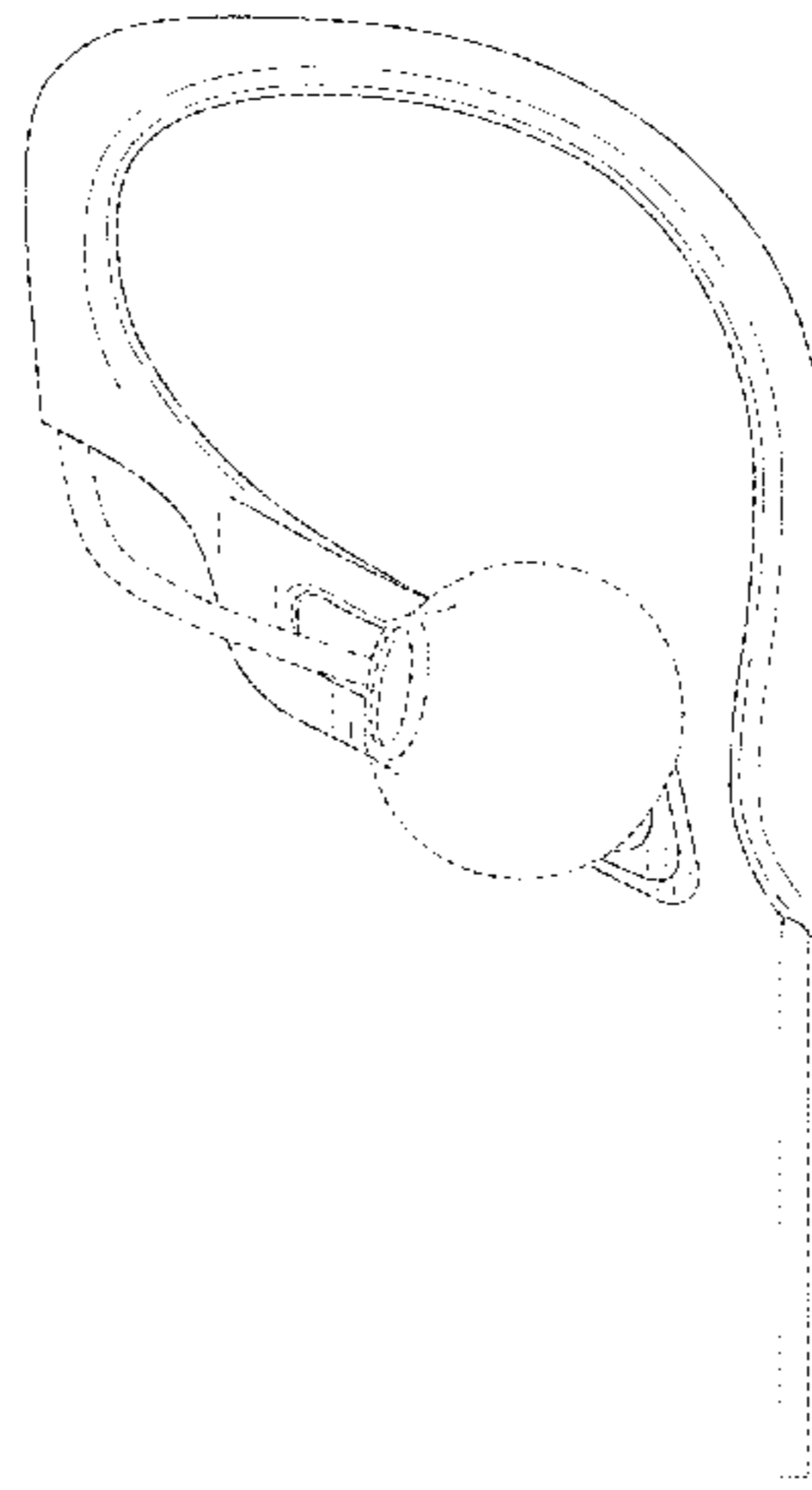
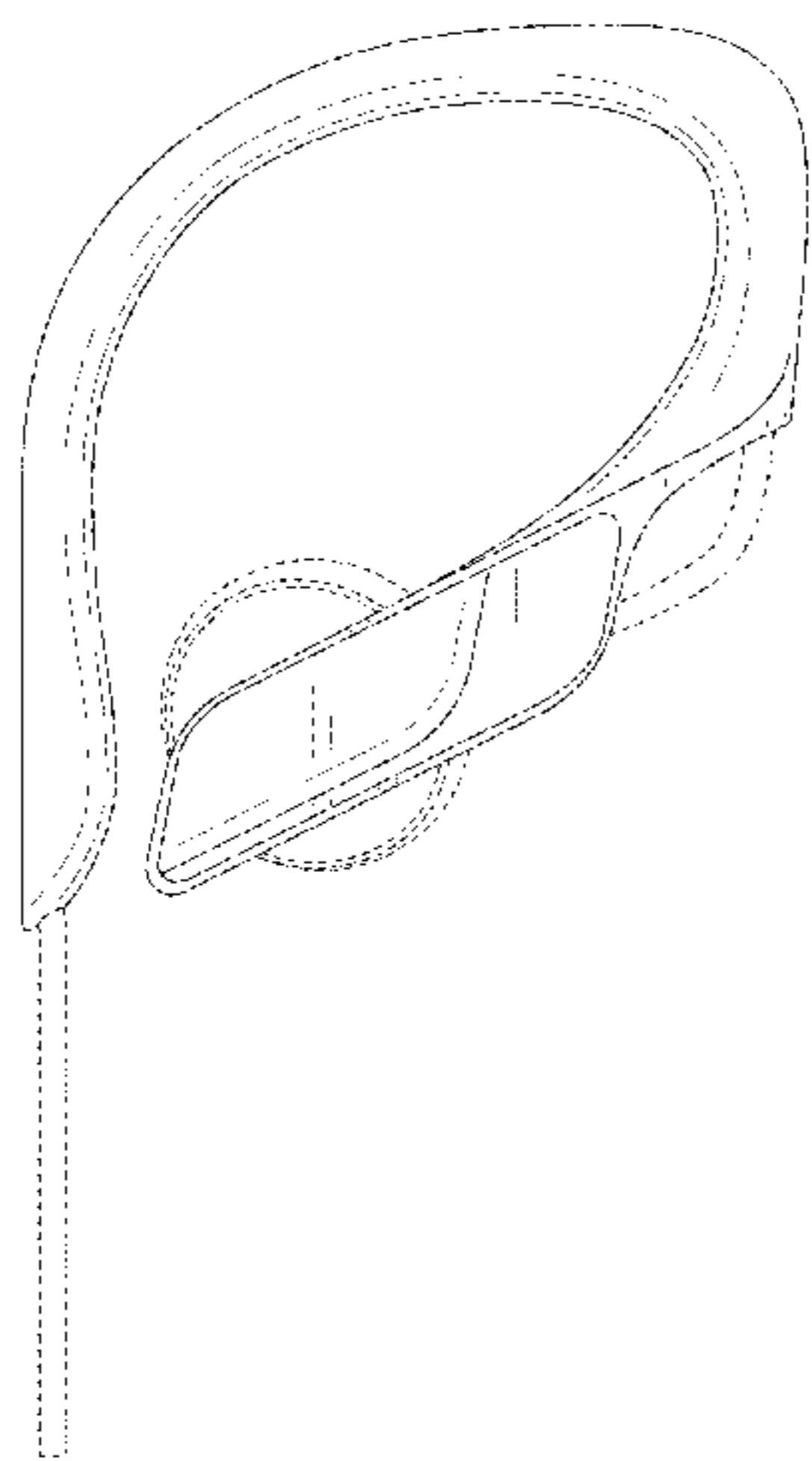
FIG. 6 is a top view thereof;

FIG. 7 is a bottom view thereof; and,

FIG. 8 is a front perspective view thereof with the part slided position.

The broken line showing of earphone is included for the purpose of illustrating environment and forms no part of the claimed design. Additionally, the unevenly broken lines in the drawings define the limits of the claimed design.

1 Claim, 8 Drawing Sheets



(56)

References Cited

U.S. PATENT DOCUMENTS

8,265,328	B2 *	9/2012	Milde et al.	381/381	D710,333	S *	8/2014	Davies et al.	D14/223
D685,768	S *	7/2013	Mogili	D14/223	D712,382	S *	9/2014	Brunner et al.	D14/223
D695,275	S *	12/2013	Chee	D14/223	D713,385	S *	9/2014	Burgett et al.	D14/223
8,655,005	B2 *	2/2014	Birger et al.	381/381	D718,283	S *	11/2014	Thompson et al.	D14/223
					2003/0044038	A1 *	3/2003	Shirata	381/381
					2009/0285434	A1 *	11/2009	Williams et al.	381/375

* cited by examiner

FIG. 1

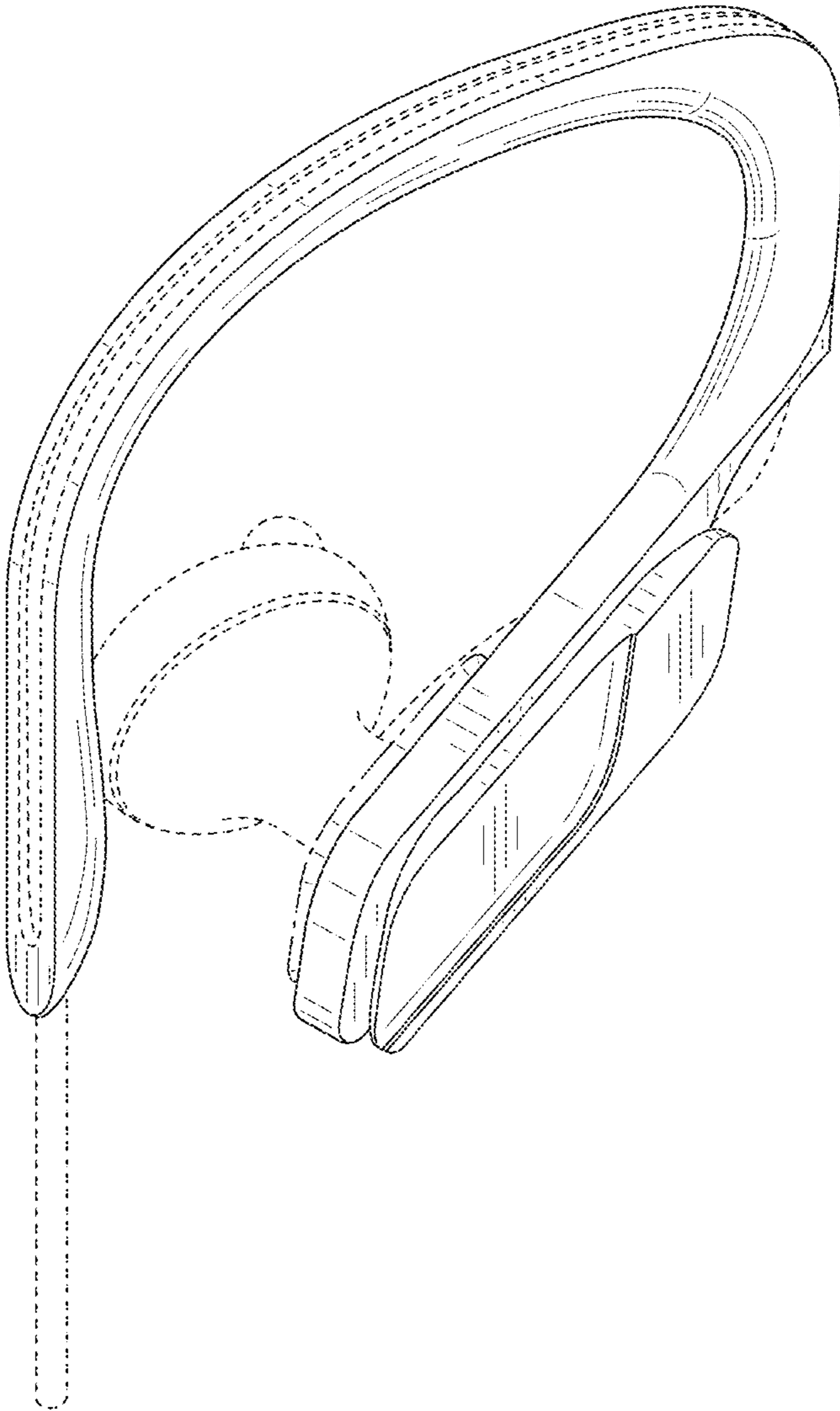


FIG. 2

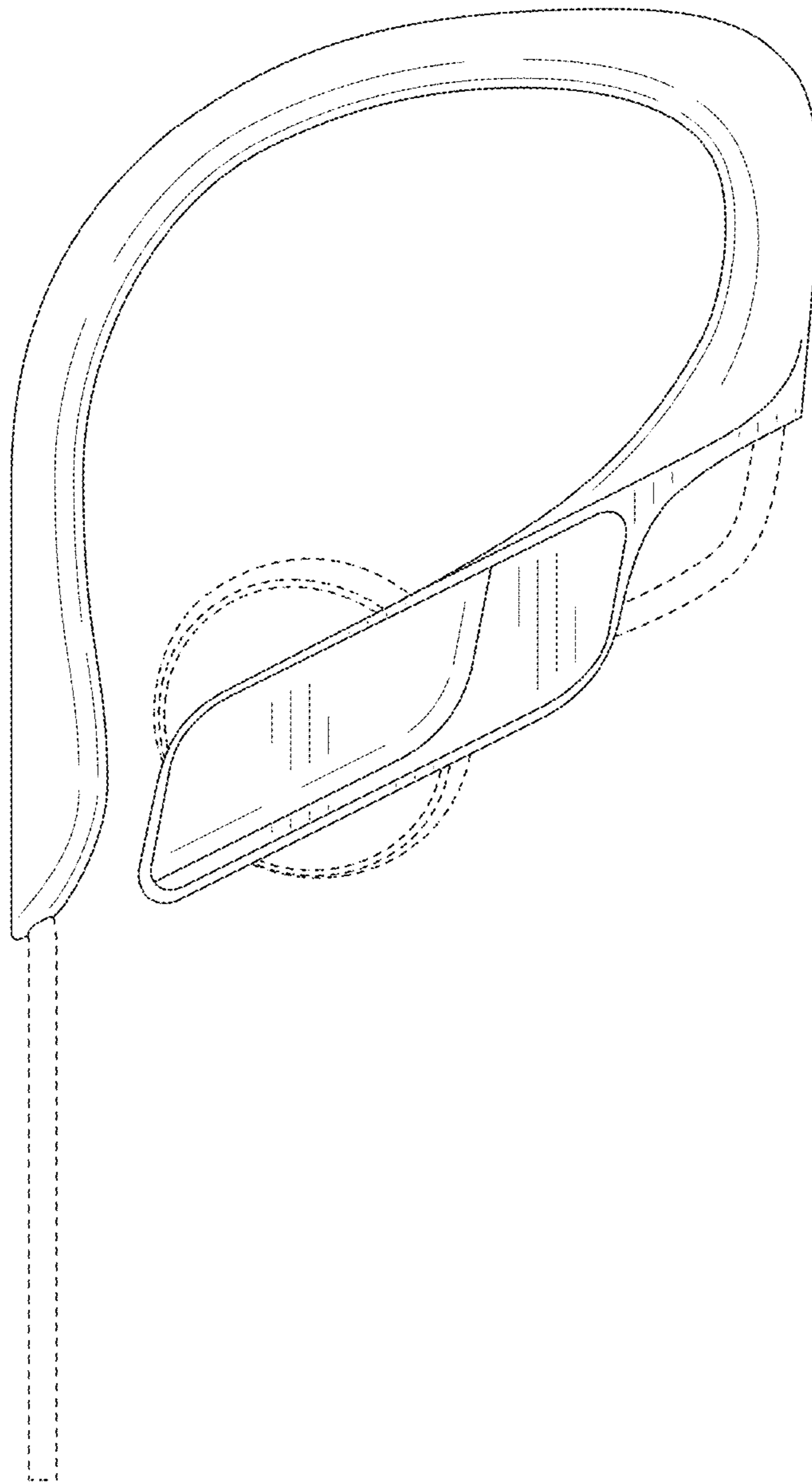


FIG. 3

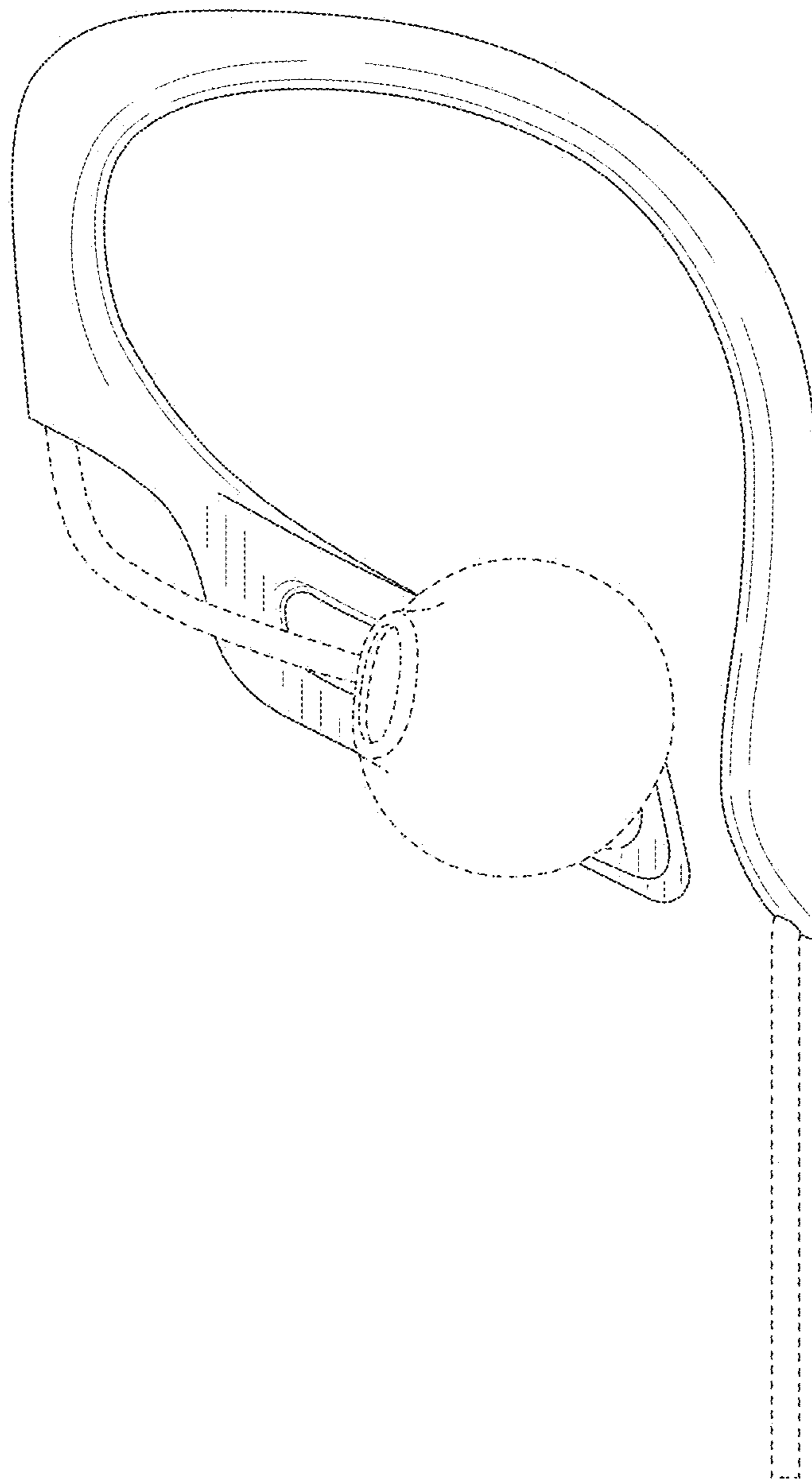


FIG. 4

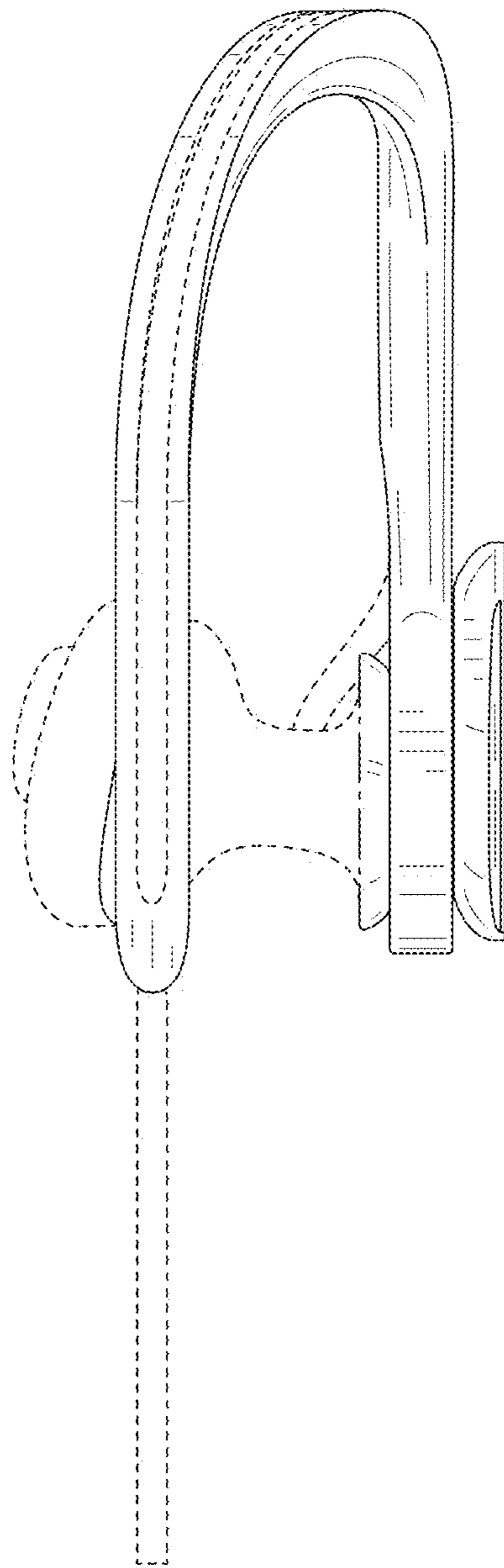


FIG. 5

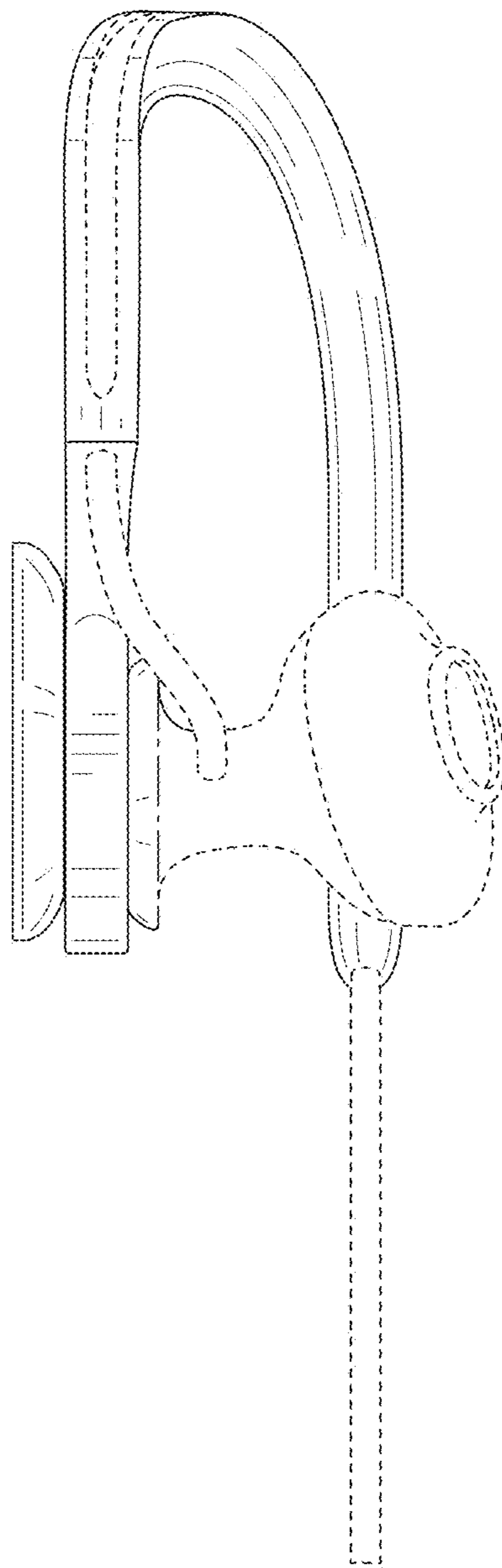


FIG. 6

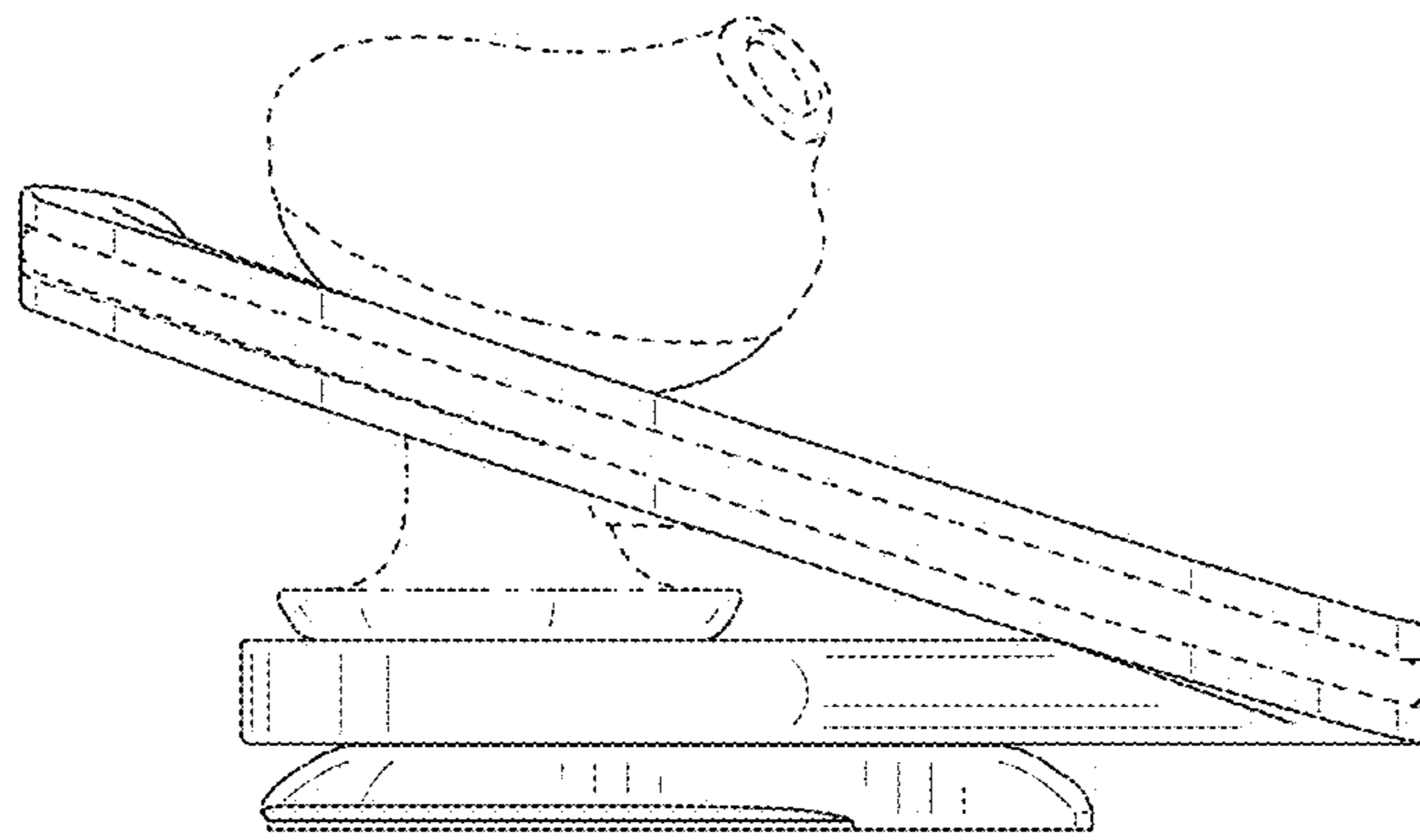


FIG. 7

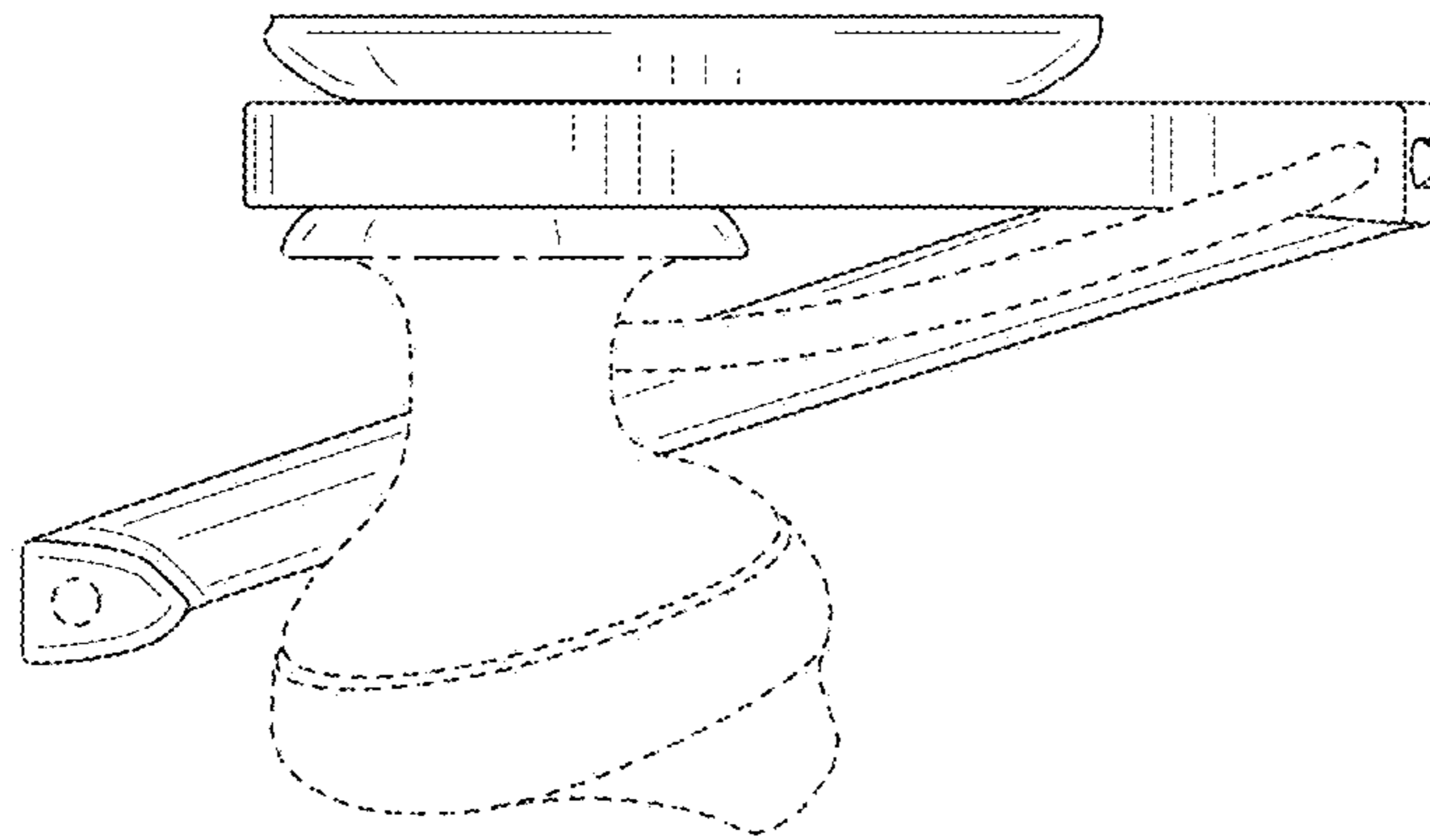


FIG. 8

