

US00D725636S

(12) **United States Design Patent**
McNamara et al.

(10) **Patent No.:** **US D725,636 S**
(45) **Date of Patent:** **** Mar. 31, 2015**

- (54) **IN-EAR HEADPHONE**
- (71) Applicant: **Sol Republic Inc.**, Wilsonville, OR (US)
- (72) Inventors: **Gregory McNamara**, San Francisco, CA (US); **Sindre Klepp**, San Francisco, CA (US)
- (73) Assignee: **Sol Republic Inc.**, Wilsonville, OR (US)
- (**) Term: **14 Years**
- (21) Appl. No.: **29/481,433**
- (22) Filed: **Feb. 5, 2014**
- (51) **LOC (10) Cl.** **14-01**
- (52) **U.S. Cl.**
USPC **D14/223; D14/205**
- (58) **Field of Classification Search**
CPC H04R 1/10
USPC D14/223, 205; 181/129, 130, 135;
379/430, 431; 381/380, 381, 345, 328
See application file for complete search history.

D272,904	S	*	3/1984	Kawano	D14/205
4,457,396	A	*	7/1984	James	181/136
D287,765	S	*	1/1987	Topholm	D24/174
4,634,816	A	*	1/1987	O'Malley et al.	379/430
5,054,079	A	*	10/1991	Frielingsdorf et al.	381/151
D348,067	S	*	6/1994	Lucey et al.	D14/223
5,684,883	A	*	11/1997	Chen	381/385
D427,999	S	*	7/2000	Tate et al.	D14/240
D505,132	S	*	5/2005	Linville et al.	D14/223
D588,111	S	*	3/2009	Komiyama	D14/223
D600,675	S	*	9/2009	Lee et al.	D14/205
D603,380	S	*	11/2009	Hutchieson	D14/223
D632,678	S	*	2/2011	Brown et al.	D14/223
D637,585	S	*	5/2011	Nagayama et al.	D14/223
D647,081	S	*	10/2011	Kwon	D14/223
8,111,864	B2	*	2/2012	Oliveira et al.	381/381
8,165,332	B2	*	4/2012	Giese et al.	381/328

(Continued)

Primary Examiner — Paula Greene
(74) *Attorney, Agent, or Firm* — Alleman Hall McCoy Russell & Tuttle LLP

(57) **CLAIM**
The ornamental design for an in-ear headphone, as shown and described.

(56) **References Cited**

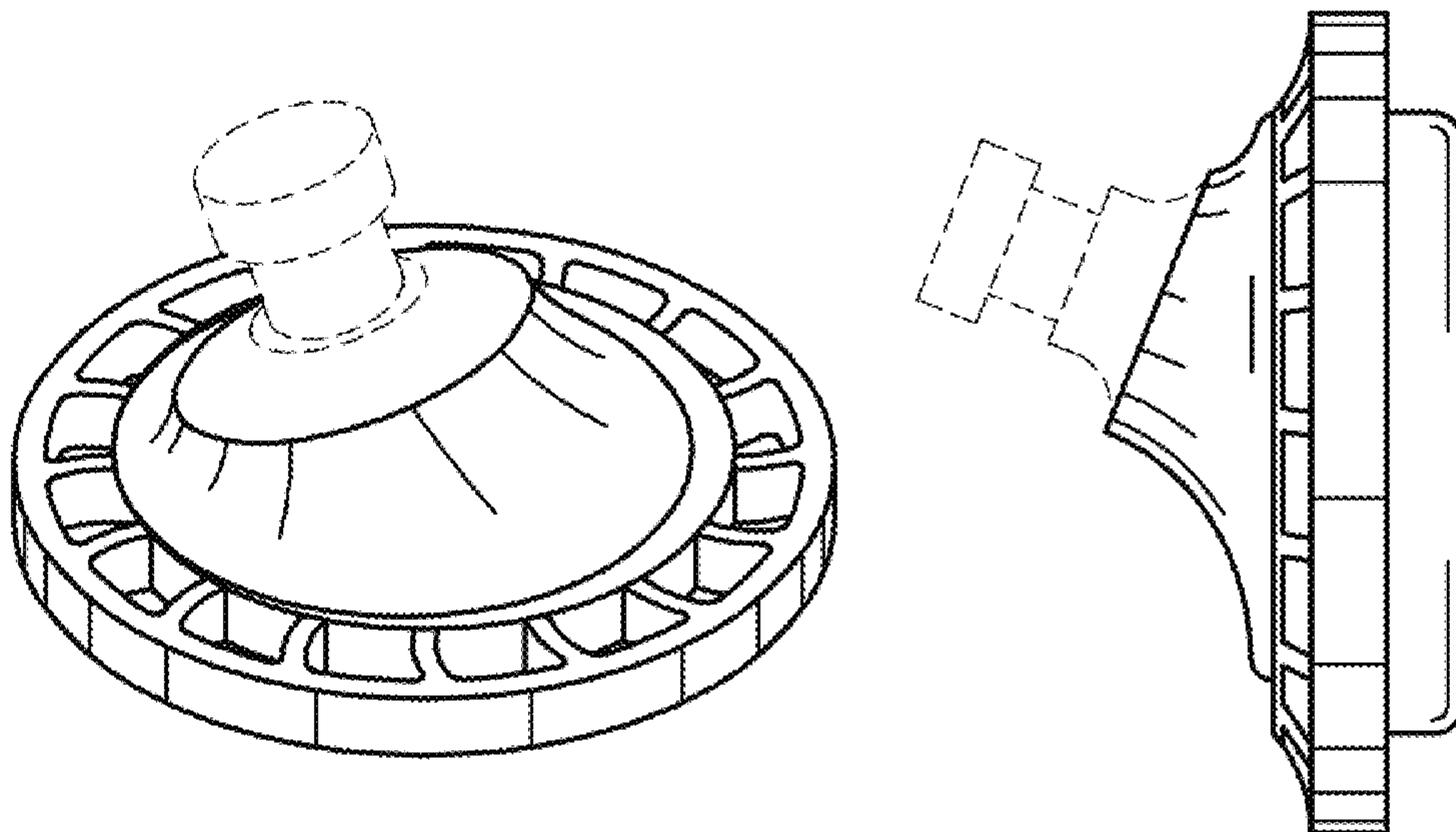
U.S. PATENT DOCUMENTS

D29,707	S	*	11/1898	Mulconroy	D14/249
797,509	A	*	8/1905	Frank	128/864
1,279,396	A	*	9/1918	Michelson et al.	128/868
1,624,144	A	*	4/1927	Mathieu	181/129
1,852,130	A	*	4/1932	Schier	381/380
2,125,348	A	*	8/1938	Kurman	381/380
D135,303	S	*	3/1943	Scher	D14/249
2,430,229	A	*	11/1947	Kelsey	381/338
2,595,672	A	*	5/1952	Greenwood	381/322
2,619,960	A	*	12/1952	Reynolds	128/868
2,971,065	A	*	2/1961	Busse	381/321
D216,802	S	*	3/1970	Kliwer	D14/249
4,071,717	A	*	1/1978	Fidi et al.	381/372
4,314,553	A	*	2/1982	Westerdal	128/864

DESCRIPTION

FIG. 1 is a perspective view of an ornamental design for a in-ear headphone, according to the invention.
FIG. 2 is a front view of the in-ear headphone of FIG. 1.
FIG. 3 is a rear view of the in-ear headphone of FIG. 1.
FIG. 4 is a top view of the in-ear headphone of FIG. 1.
FIG. 5 is a bottom view of the in-ear headphone of FIG. 1.
FIG. 6 is a right side view of the in-ear headphone of FIG. 1; and,
FIG. 7 is a left side view of the in-ear headphone of FIG. 1.
The features shown in broken lines depict environmental subject matter only and form no part of the claimed design.

1 Claim, 1 Drawing Sheet



(56)

References Cited

U.S. PATENT DOCUMENTS

8,189,847 B2 *	5/2012	Huang	381/380	8,355,522 B2	1/2013	Annunziato et al.	
8,249,287 B2	8/2012	Silvestri et al.			8,406,448 B2 *	3/2013	Lin et al. 381/380
D666,581 S *	9/2012	Perez	D14/223	8,447,059 B2	5/2013	Jones et al.	
D670,680 S *	11/2012	Eisenmenger	D14/223	8,600,096 B2	12/2013	Lin	
					D712,383 S *	9/2014	McNamara et al. D14/223
					2009/0202098 A1	8/2009	Chan et al.	
					2009/0279729 A1 *	11/2009	Huang 381/345

* cited by examiner

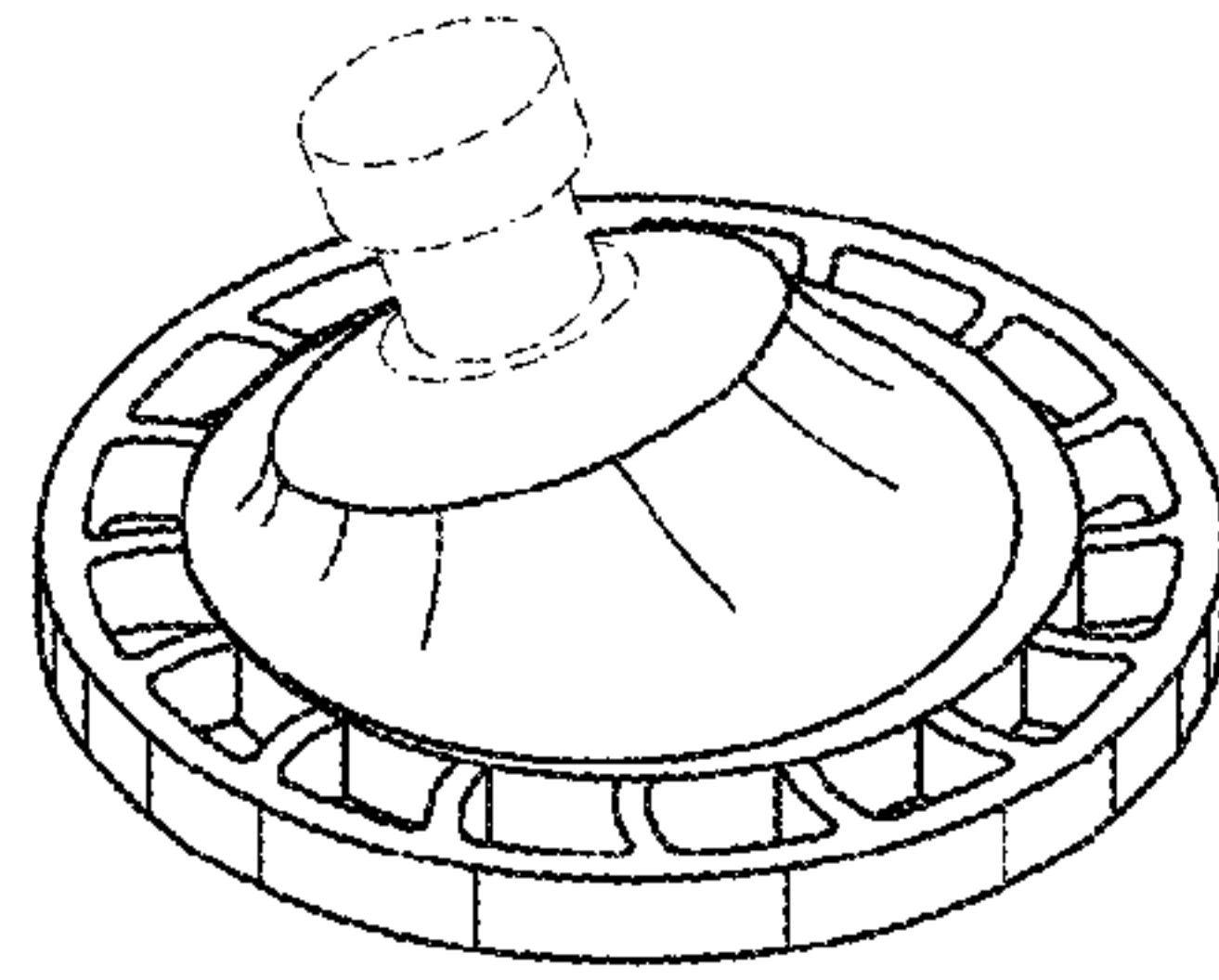


FIG. 1

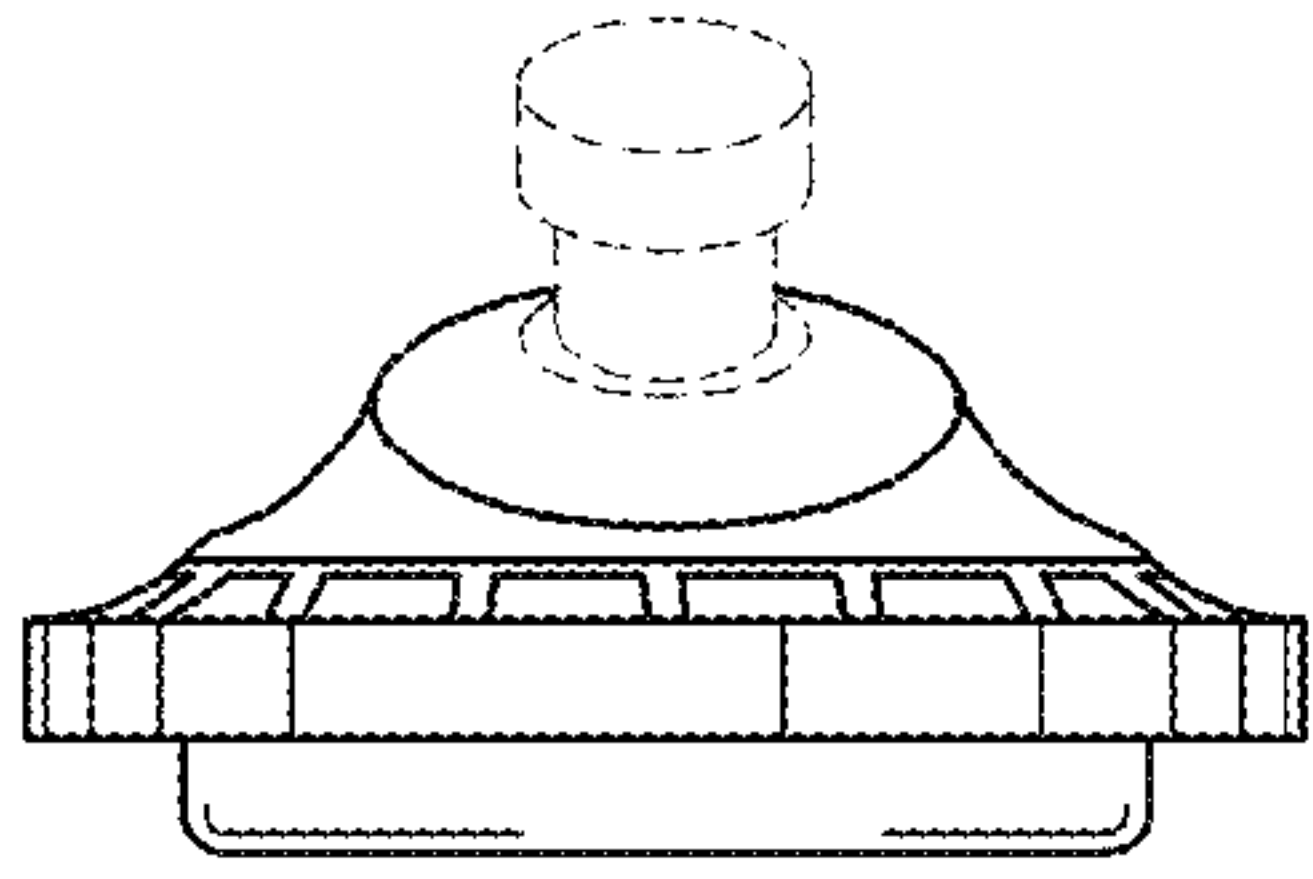


FIG. 2

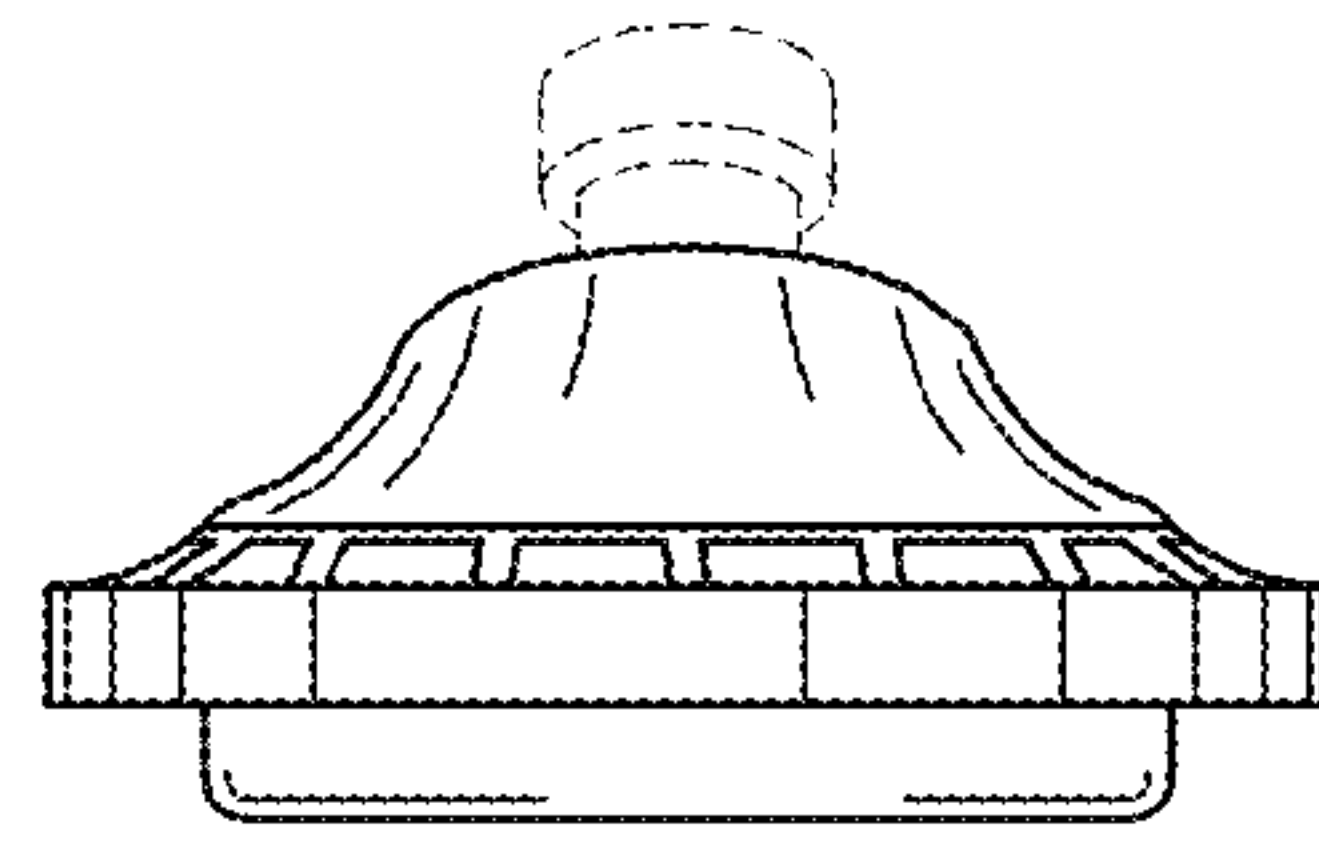


FIG. 3

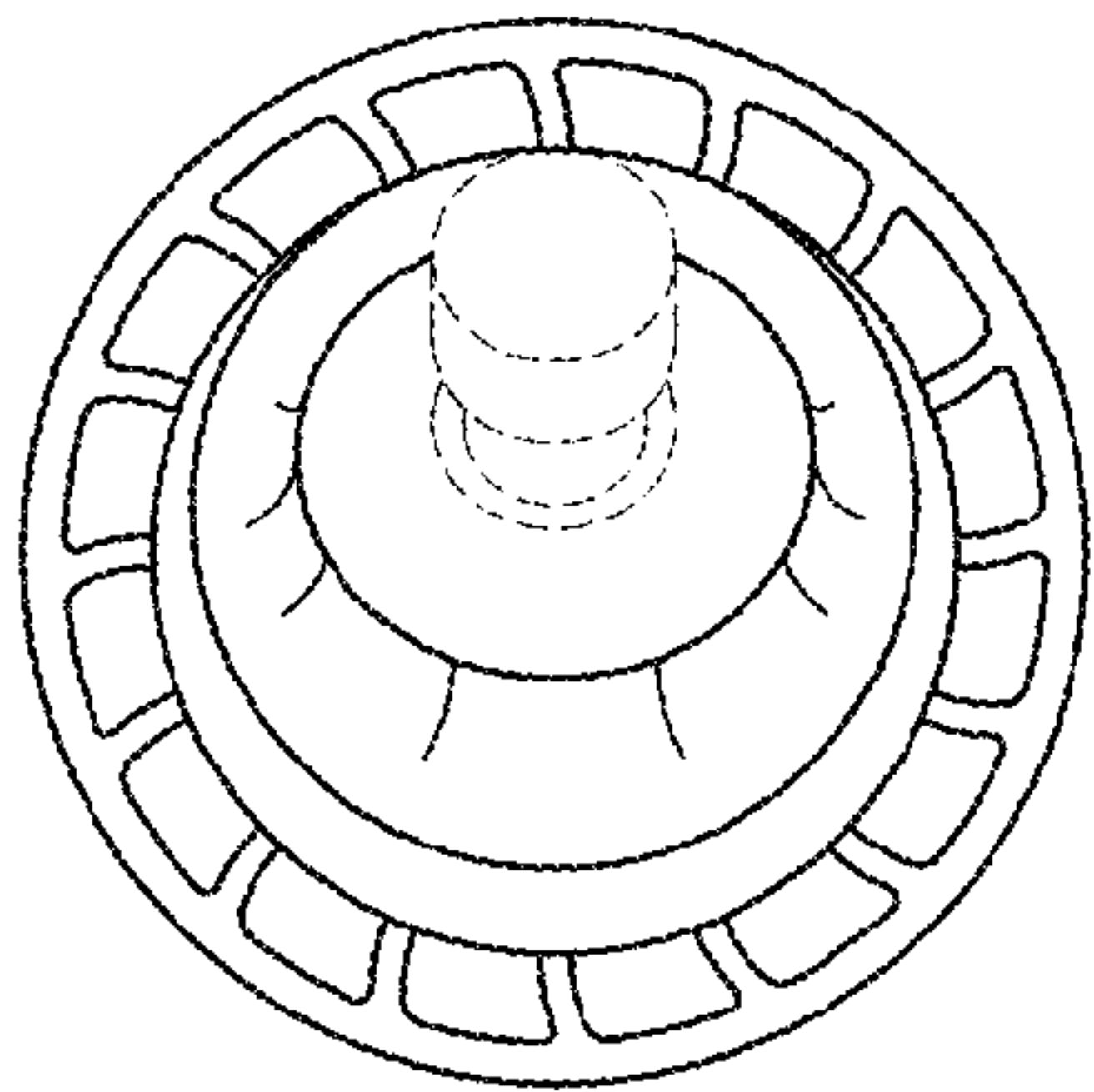


FIG. 4

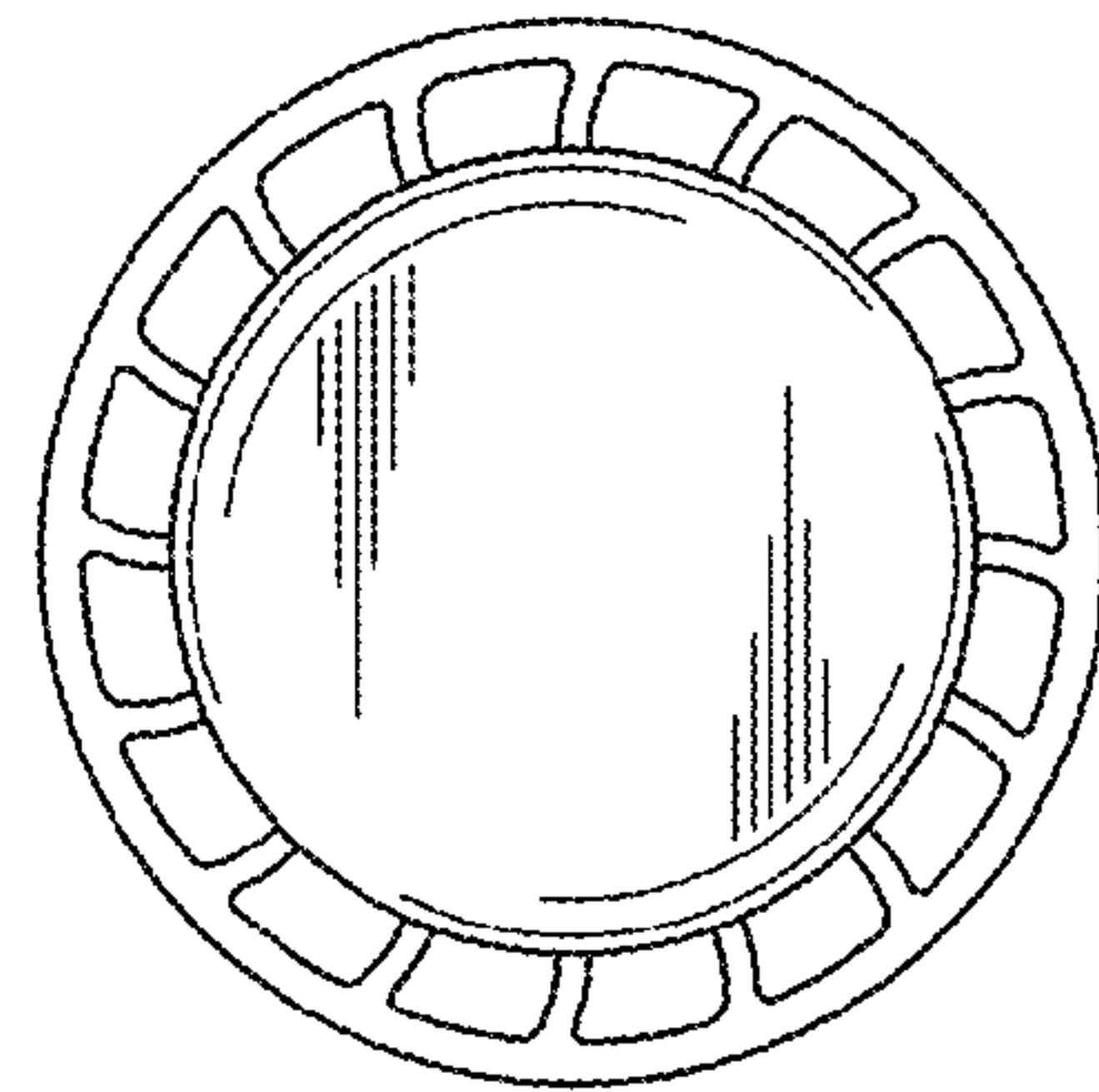


FIG. 5

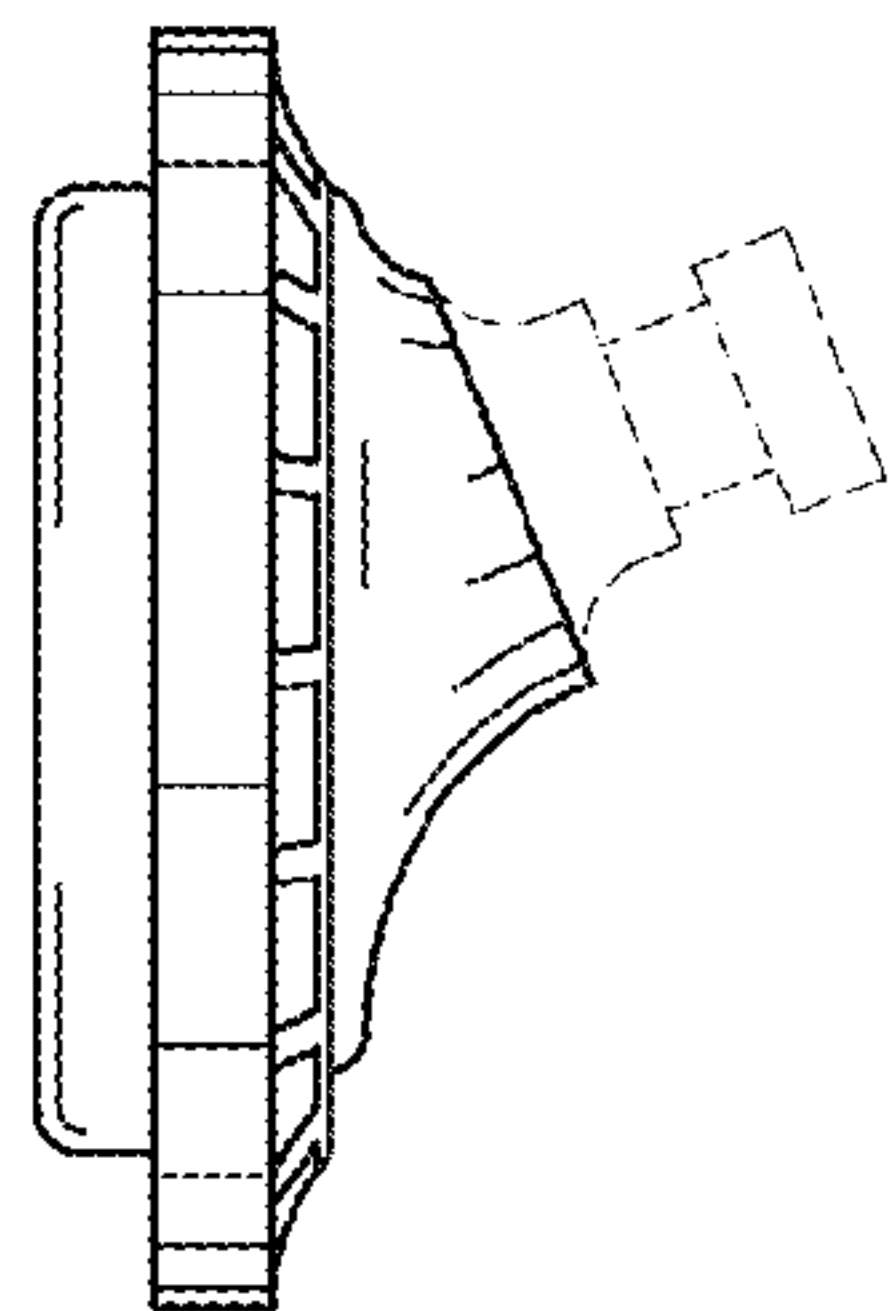


FIG. 6

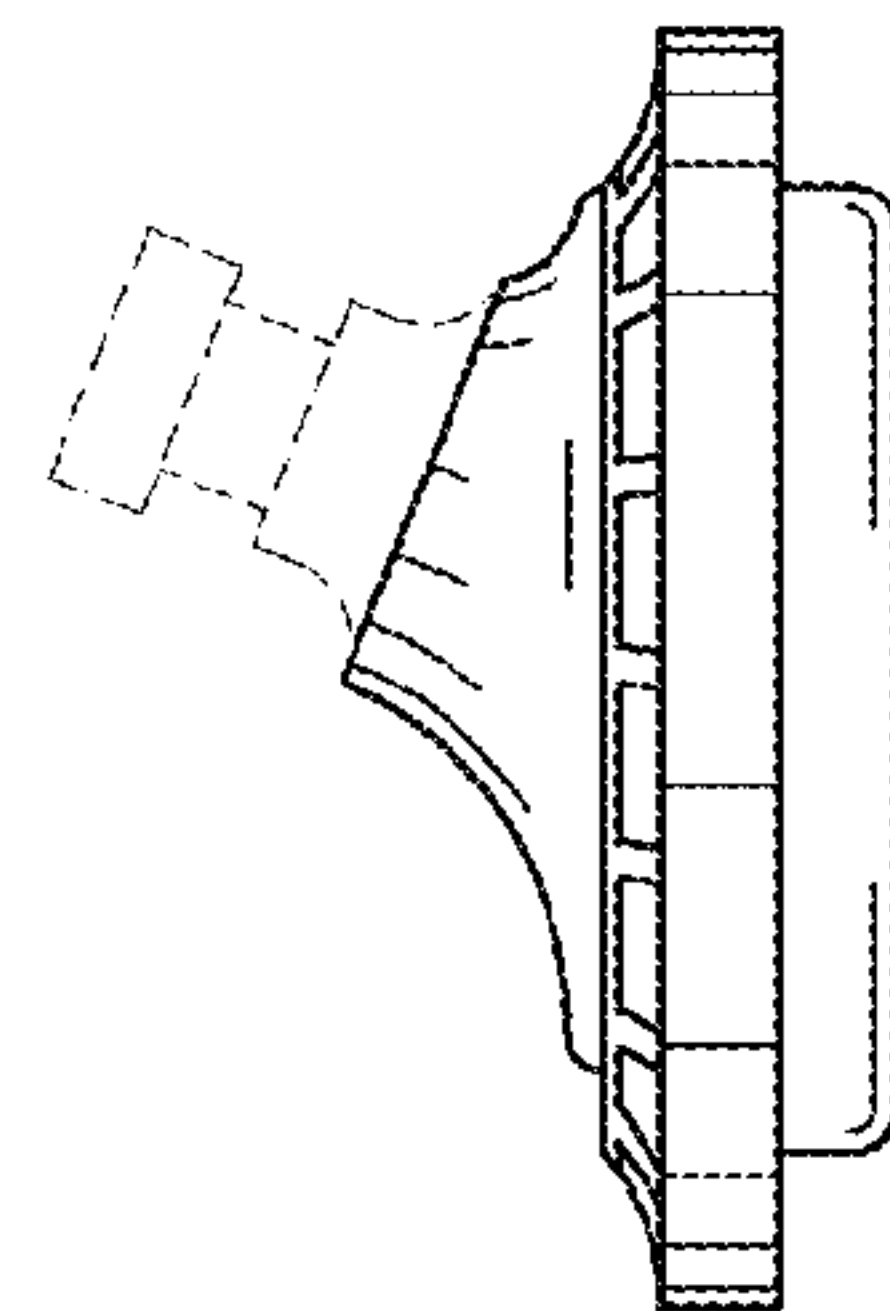


FIG. 7