



US00D725635S

(12) **United States Design Patent**
Burgett et al.

(10) **Patent No.:** **US D725,635 S**
(45) **Date of Patent:** **** Mar. 31, 2015**

(54) **EARPHONE**

(71) Applicant: **Harman International Industries, Incorporated**, Stamford, CT (US)

(72) Inventors: **Seth D. Burgett**, Glen Carbon, IL (US);
Aaron Gorga, St. Louis, MO (US);
Effrosini A. Karayiannis, St. Louis, MO (US)

(73) Assignee: **Harman International Industries, Incorporated**, Northridge, CA (US)

(**) Term: **14 Years**

(21) Appl. No.: **29/472,477**

(22) Filed: **Nov. 12, 2013**

Related U.S. Application Data

(63) Continuation-in-part of application No. 29/471,345, filed on Oct. 30, 2013.

(51) **LOC (10) Cl.** **14-01**

(52) **U.S. Cl.**
USPC **D14/223**

(58) **Field of Classification Search**
CPC H04R 1/10
USPC D14/223, 205; 181/129, 130, 135;
379/430, 431; 381/380, 381; 455/90.3,
455/575.1

See application file for complete search history.

(56) **References Cited**

U.S. PATENT DOCUMENTS

5,844,984 A * 12/1998 Yamaguchi et al. 379/430
D427,994 S * 7/2000 Pirelli D14/223
6,084,976 A * 7/2000 Lin 381/380
D457,513 S * 5/2002 Pirelli et al. D14/223
D471,889 S * 3/2003 Rath et al. D14/205
D510,337 S * 10/2005 Tages D14/205
D561,743 S * 2/2008 Huang et al. D14/223

D573,582 S * 7/2008 Ma D14/205
D582,899 S * 12/2008 Wai D14/223
D583,804 S * 12/2008 Mahler et al. D14/223
D598,900 S * 8/2009 Wikel et al. D14/223
D600,682 S * 9/2009 Wai D14/223
D602,476 S * 10/2009 Lee et al. D14/223
D604,722 S * 11/2009 Mistry D14/223
D620,926 S * 8/2010 Wai et al. D14/223
D627,335 S * 11/2010 Hou D14/223
D650,773 S * 12/2011 Kim et al. D14/223
8,090,135 B2 * 1/2012 Lin 381/381
D654,057 S 2/2012 Burgett et al.
D661,284 S * 6/2012 Brandis et al. D14/223
8,270,915 B2 * 9/2012 Sanford et al. 455/90.3
D669,886 S * 10/2012 Maddern D14/223
D675,600 S * 2/2013 Koch D14/223
D687,417 S * 8/2013 Koss et al. D14/223
D695,718 S 12/2013 Burgett et al.
D695,719 S 12/2013 Burgett et al.
D696,230 S 12/2013 Burgett et al.

(Continued)

Primary Examiner — Paula Greene

(74) *Attorney, Agent, or Firm* — Plumsea Law Group, LLC

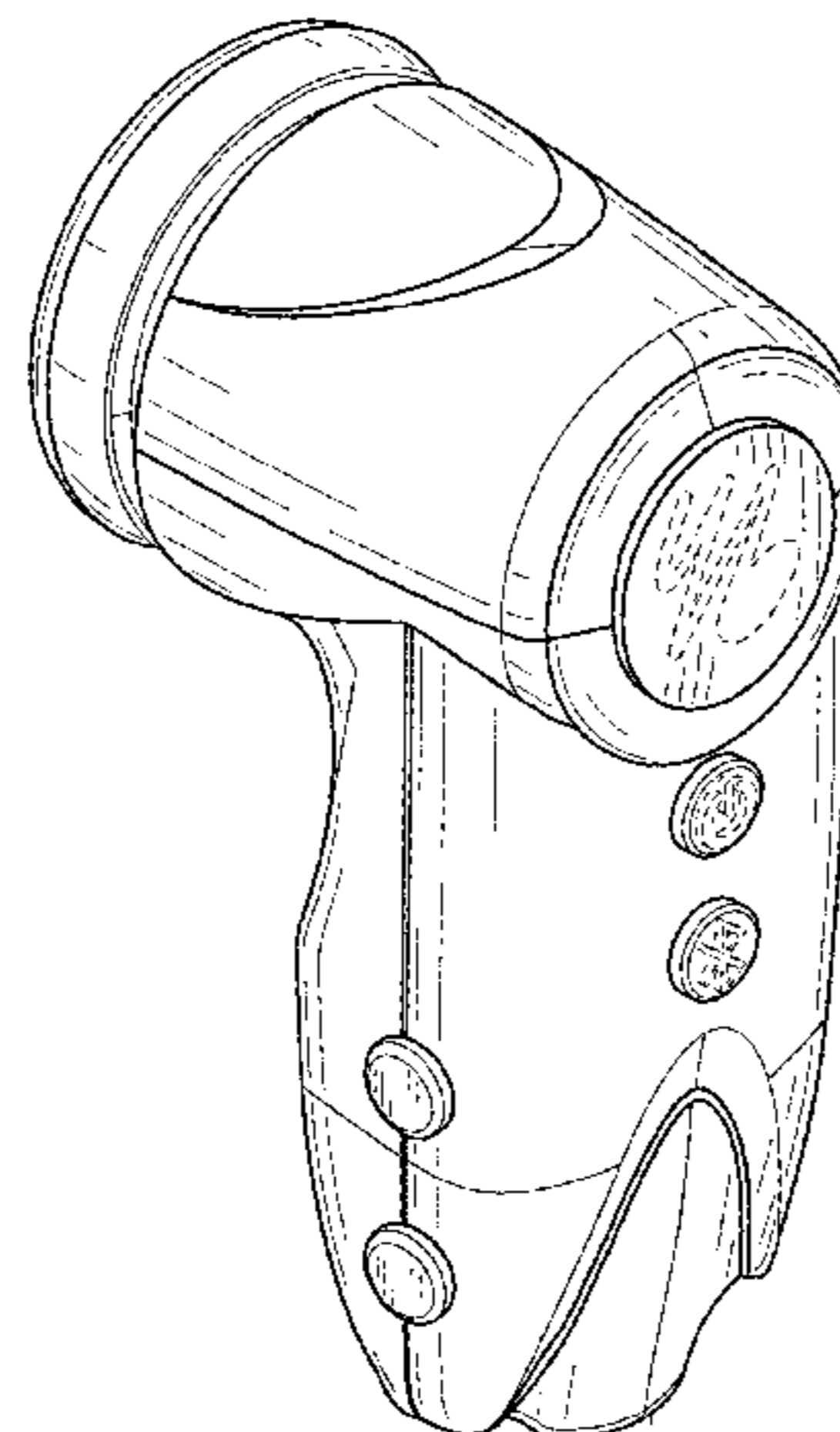
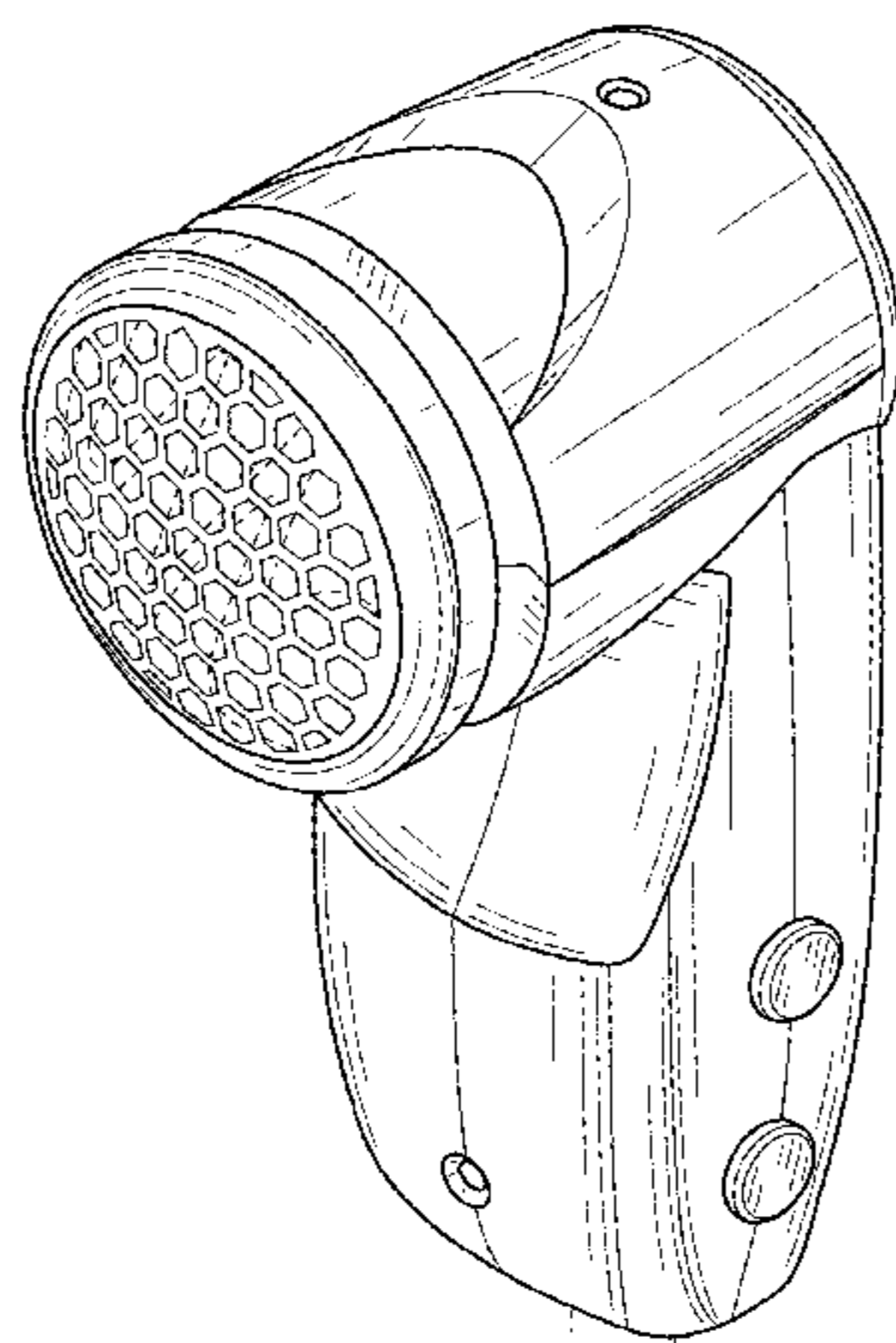
(57) **CLAIM**

The ornamental design for an earphone, as shown and described.

DESCRIPTION

FIG. 1 is a front perspective view from above of the earphone; FIG. 2 is a front perspective view from below thereof; FIG. 3 is a rear perspective view from above thereof; FIG. 4 is a rear perspective view from below thereof; FIG. 5 is a front elevation view thereof; FIG. 6 is a rear elevation view thereof; FIG. 7 is a right-side elevation view thereof; FIG. 8 is a left-side elevation view thereof; FIG. 9 is a top plan view thereof; and, FIG. 10 is a bottom plan view thereof. The dashed lines show embellishments that do not form a part of the claimed design.

1 Claim, 5 Drawing Sheets



(56)

References Cited

U.S. PATENT DOCUMENTS

D699,213 S 2/2014 Burgett et al.

D705,758 S * 5/2014 Drambarean D14/223

D705,759 S * 5/2014 Drambarean D14/223

D705,760 S * 5/2014 Drambarean D14/223

2013/0188804 A1 7/2013 Burgett

2013/0336495 A1 12/2013 Burgett et al.

* cited by examiner

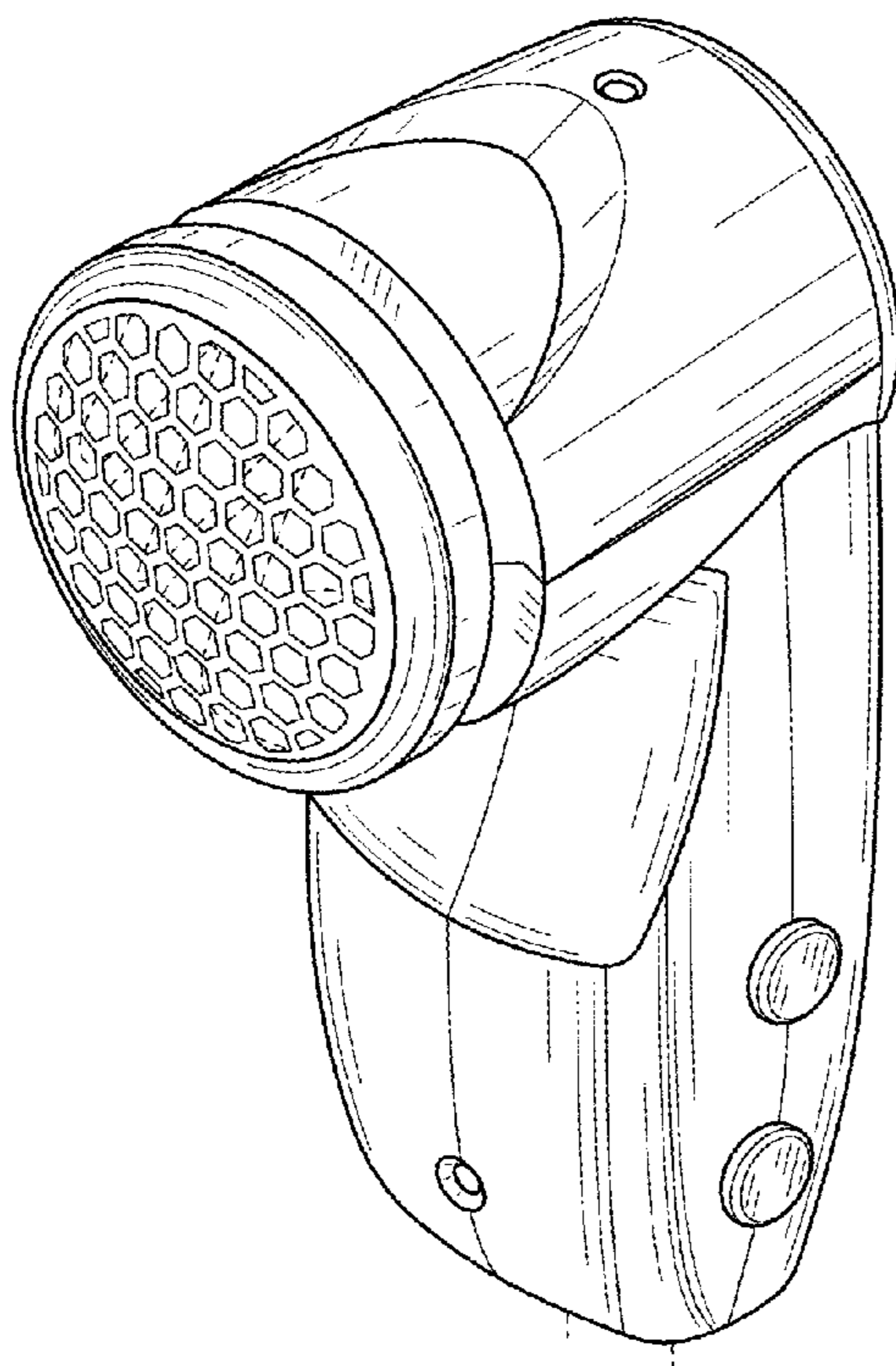


FIG. 1

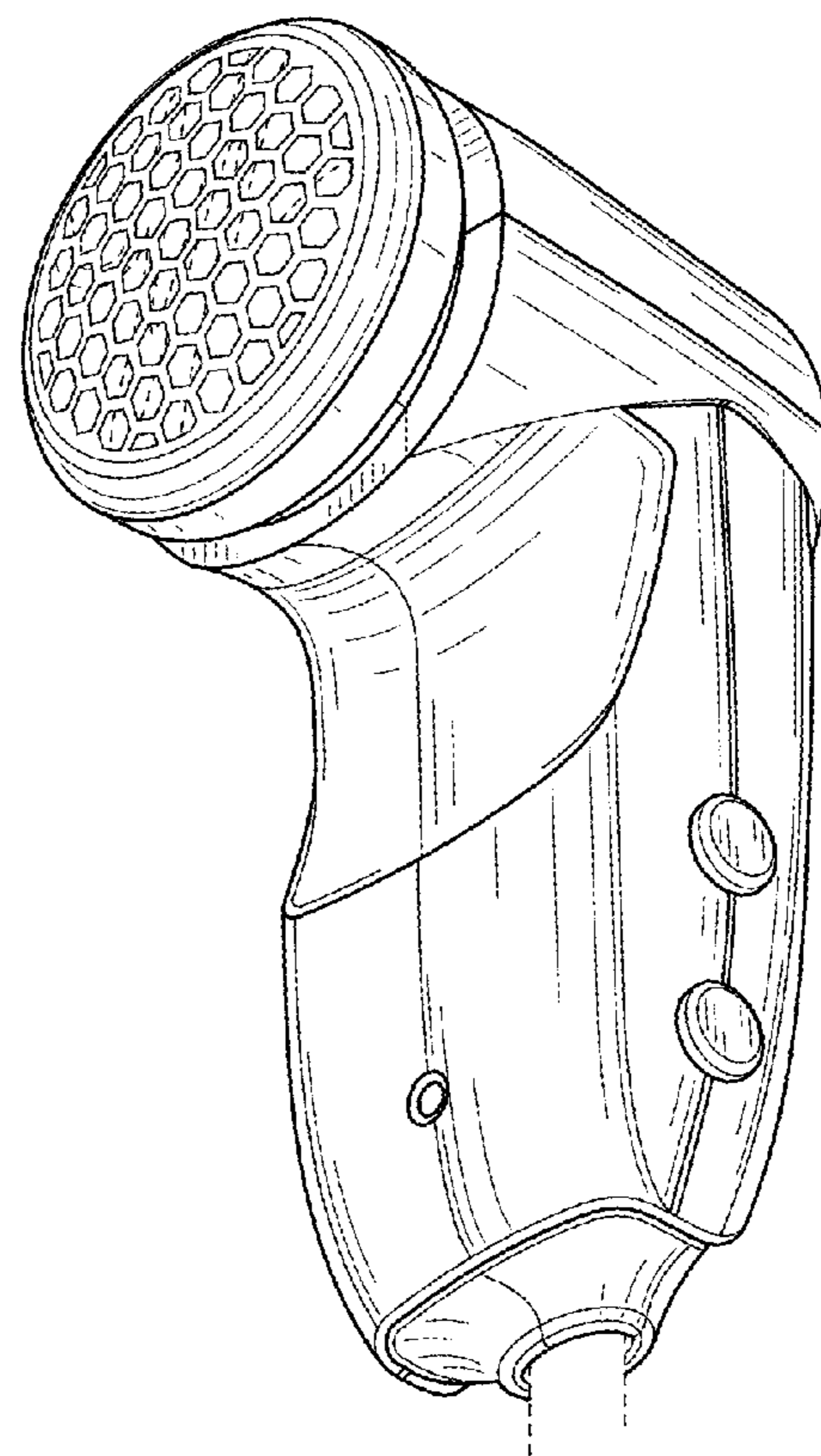


FIG. 2

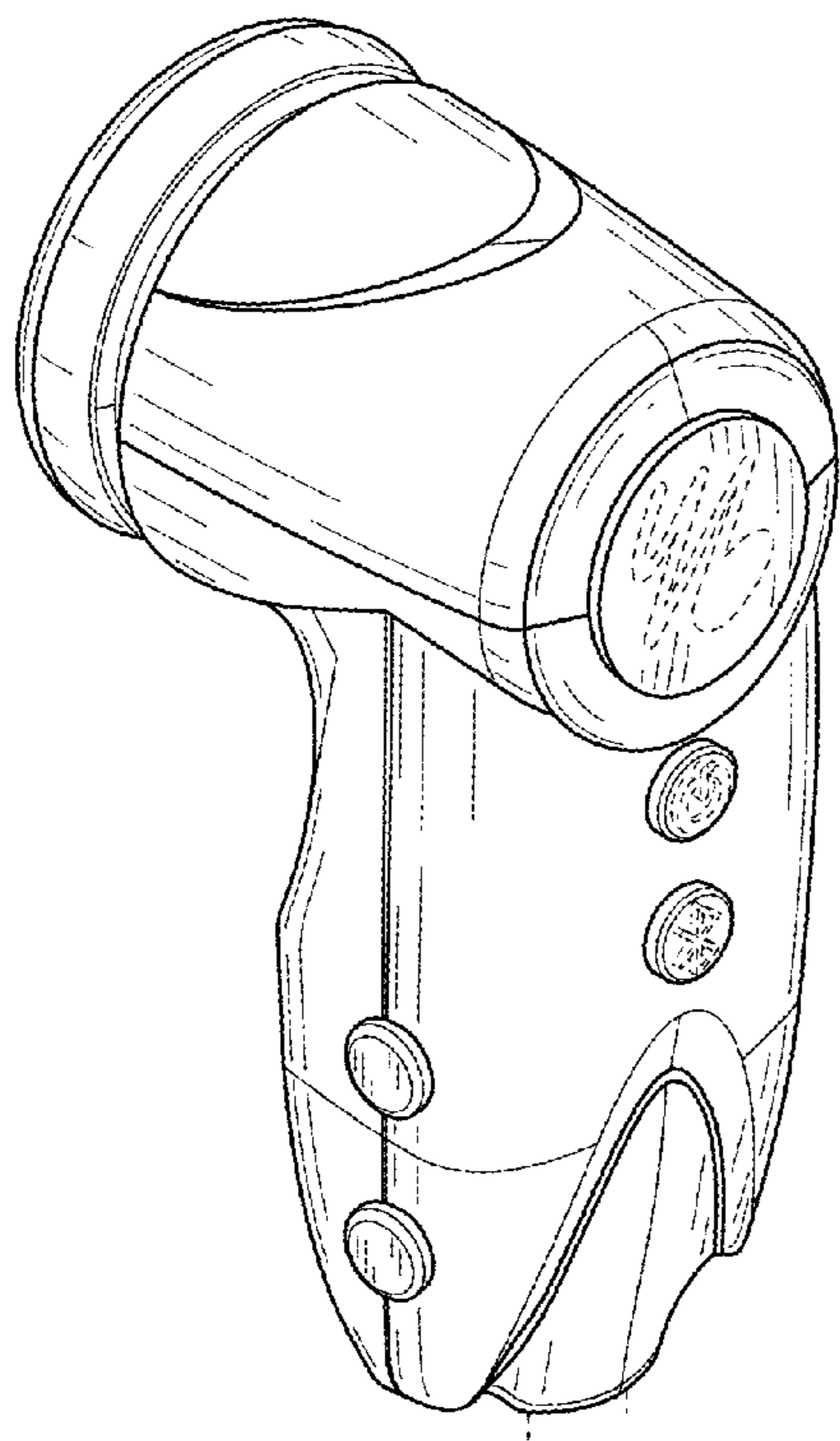


FIG. 3

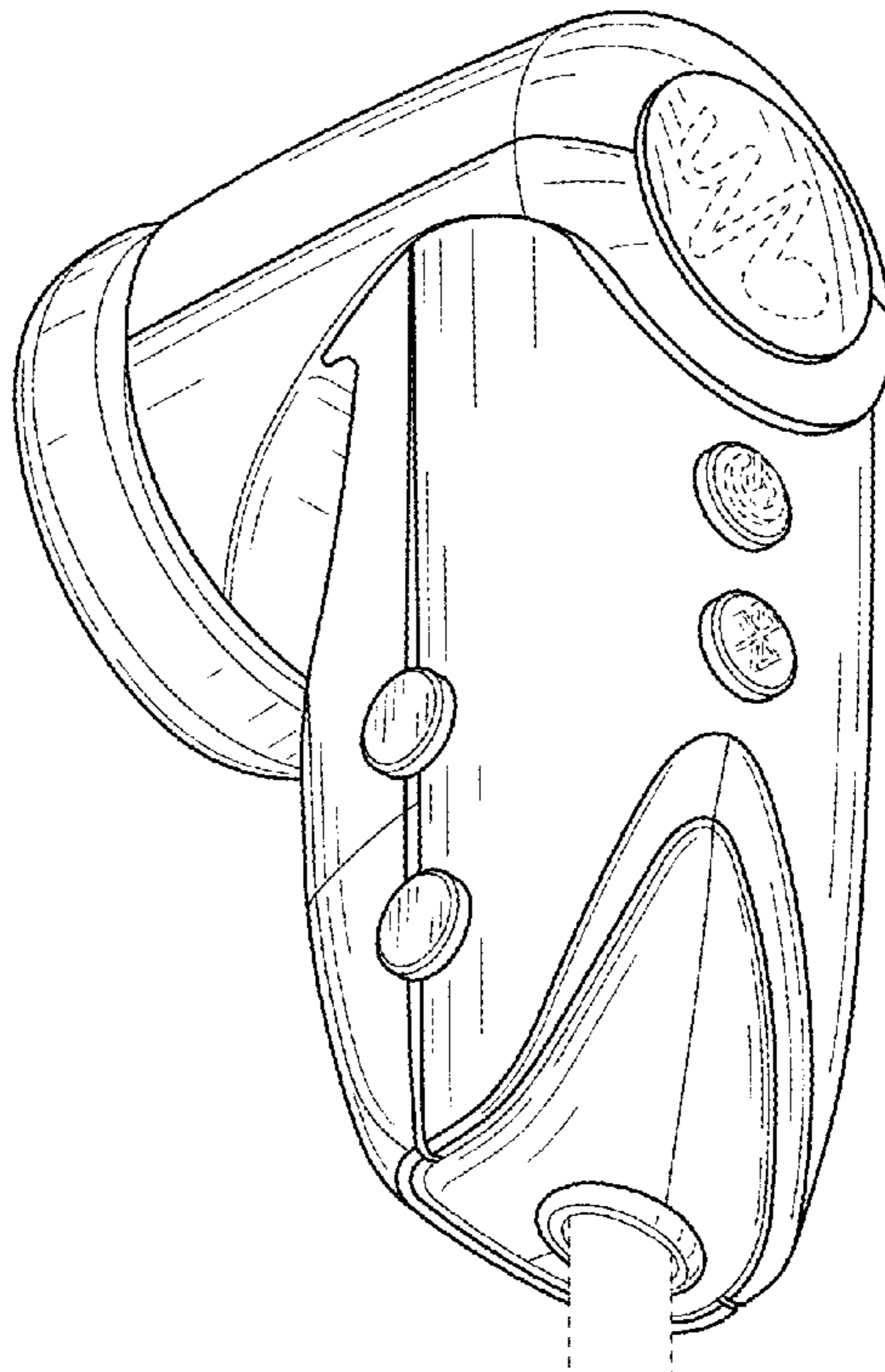


FIG. 4

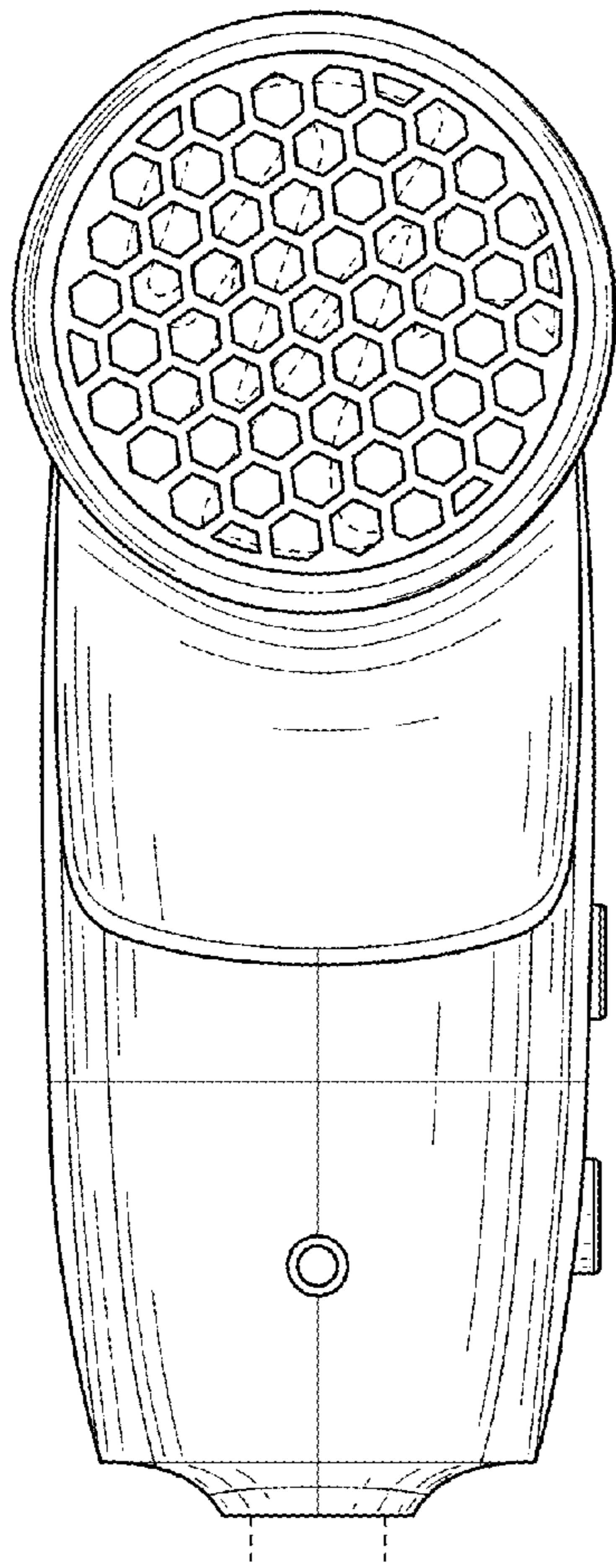


FIG. 5

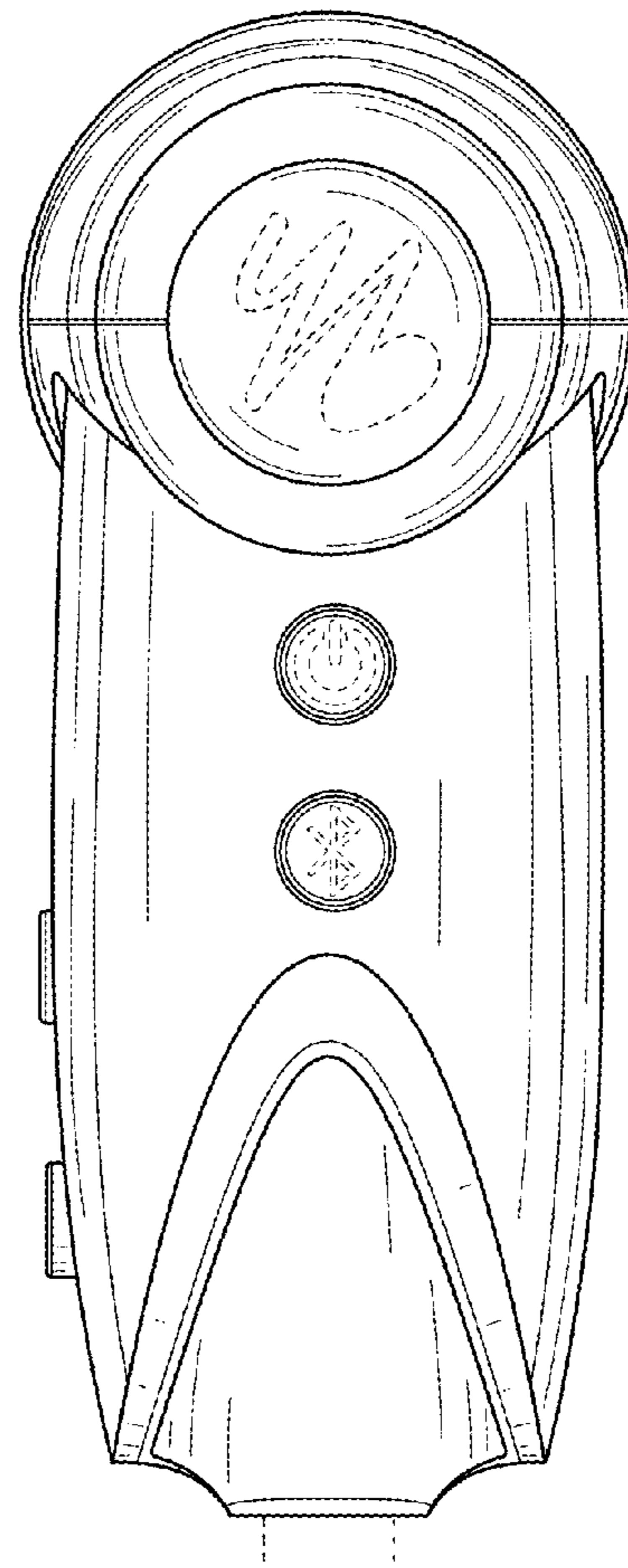


FIG. 6

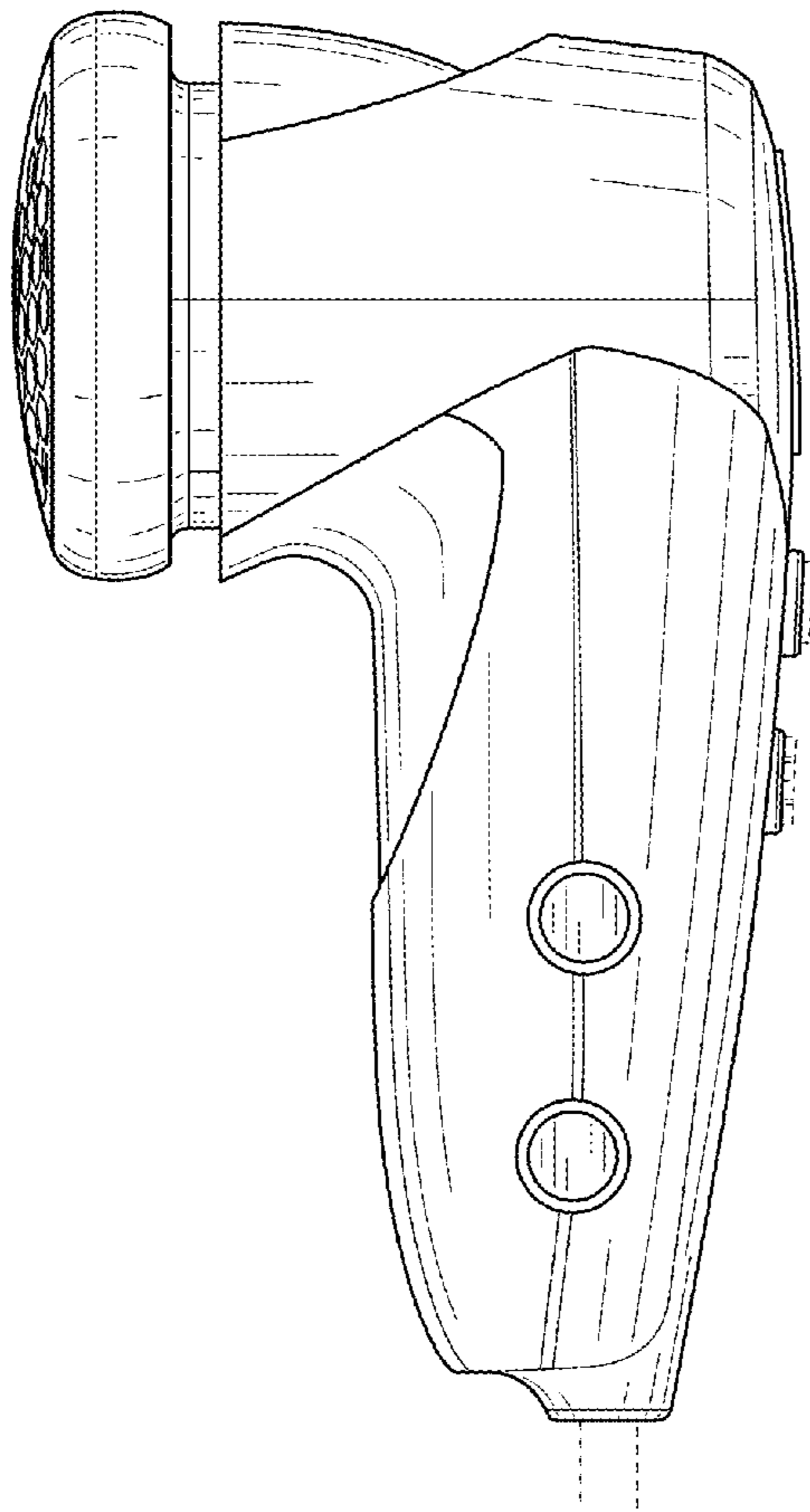


FIG. 7

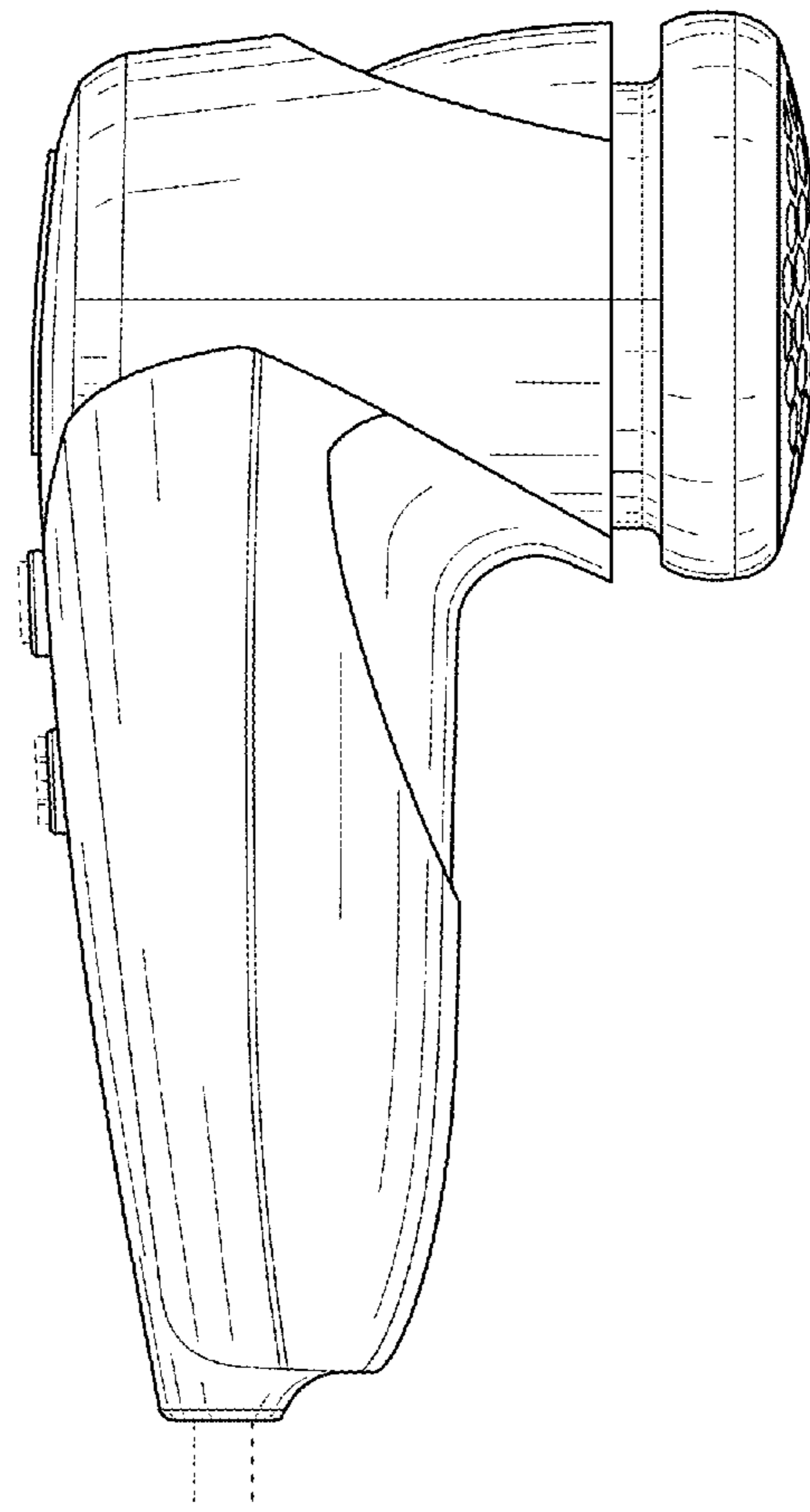


FIG. 8

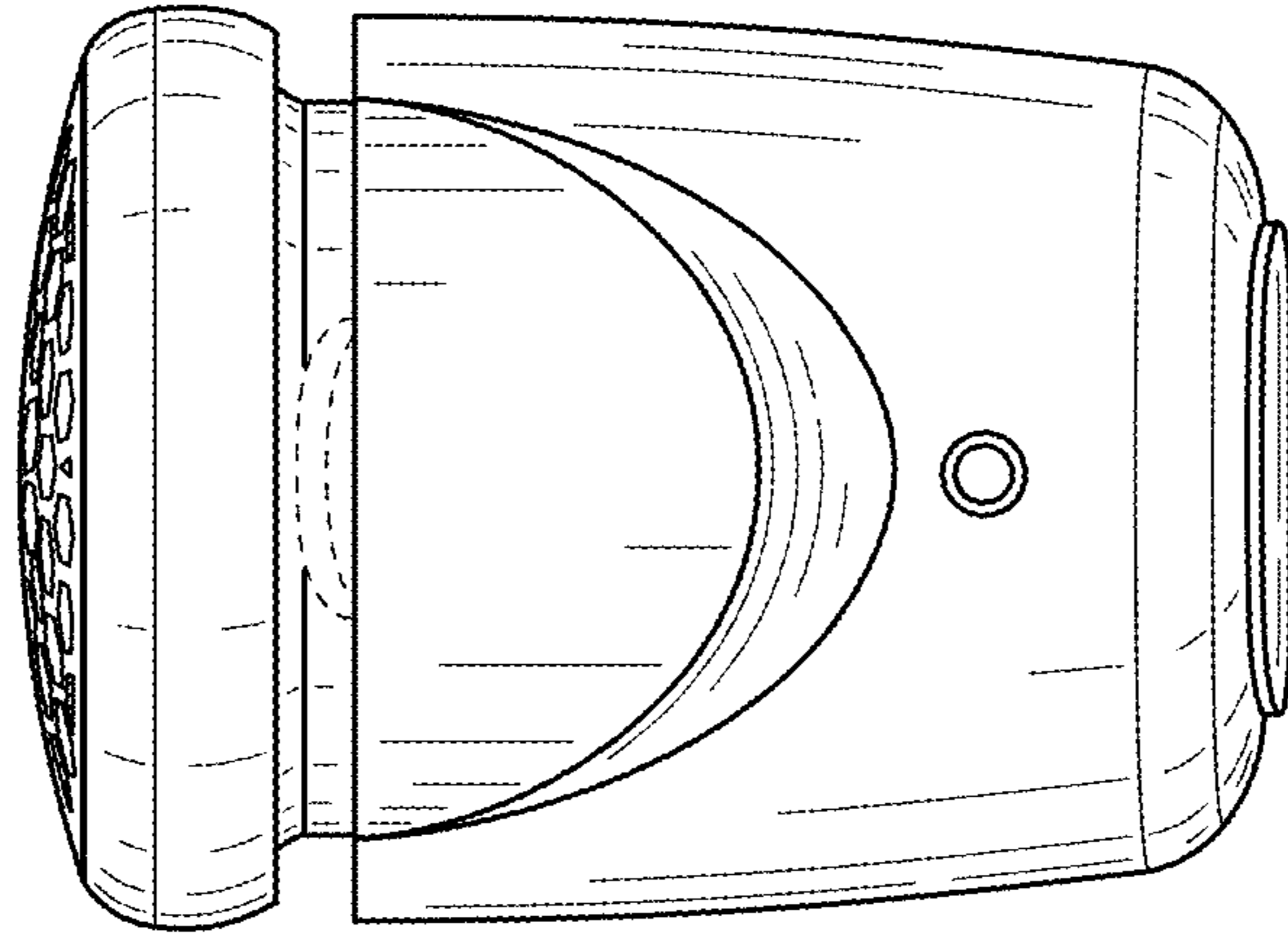


FIG. 9

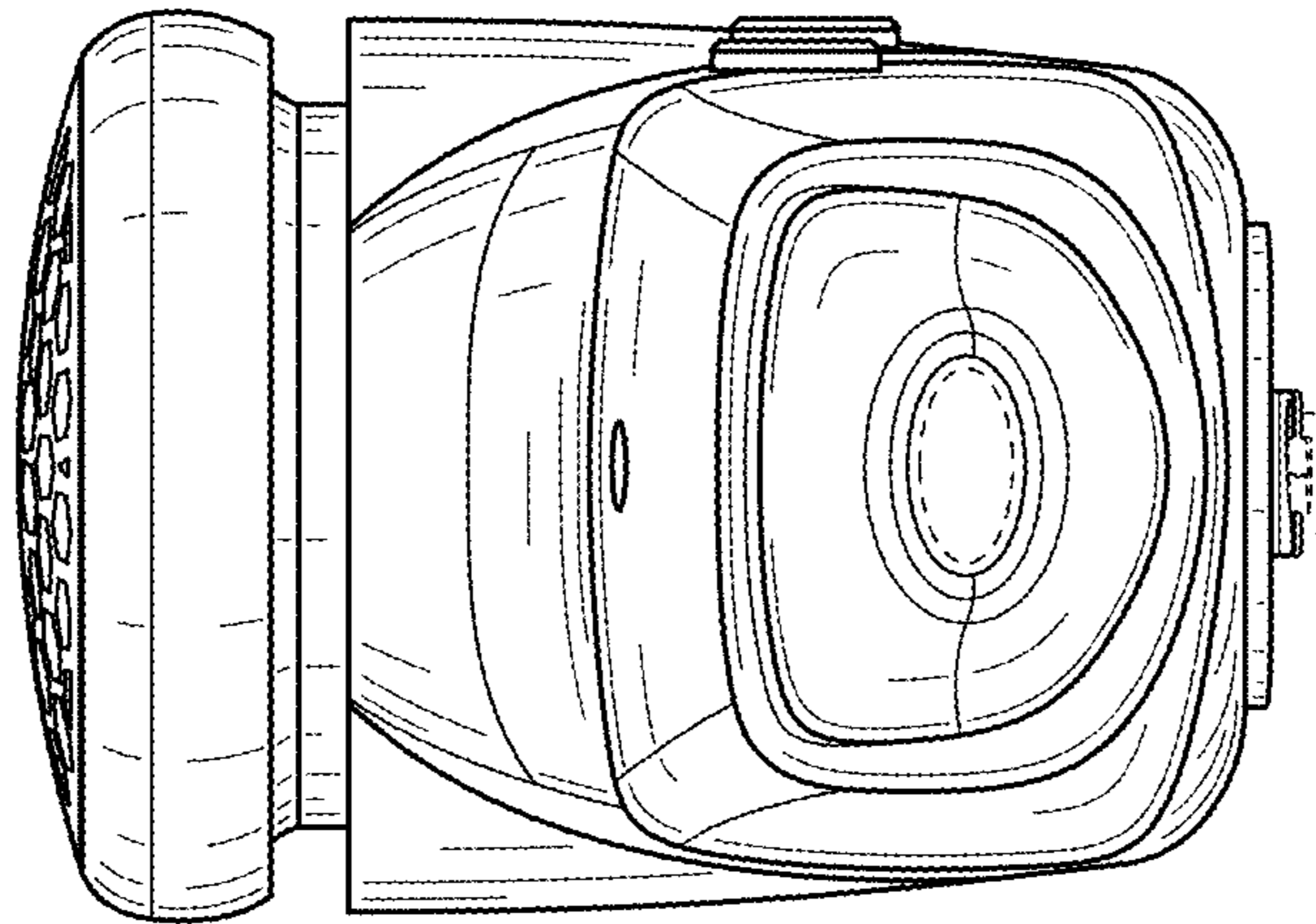


FIG. 10