

US00D725634S

(12) **United States Design Patent**
Burgett et al.

(10) **Patent No.:** **US D725,634 S**
(45) **Date of Patent:** **** Mar. 31, 2015**

(54) **EARPHONE**

(71) Applicant: **Harman International Industries, Incorporated**, Stamford, CT (US)

(72) Inventors: **Seth D. Burgett**, Glen Carbon, IL (US);
Aaron Gorga, St. Louis, MO (US);
Effrosini A. Karayiannis, St. Louis, MO (US)

(73) Assignee: **Harman International Industries, Incorporated**, Northridge, CA (US)

(**) Term: **14 Years**

(21) Appl. No.: **29/471,232**

(22) Filed: **Oct. 29, 2013**

(51) **LOC (10) Cl.** **14-01**

(52) **U.S. Cl.**
USPC **D14/223**

(58) **Field of Classification Search**
CPC H04R 1/1016
USPC D14/223, 205; 181/129, 130, 135;
379/430, 431; 381/380, 381; 455/90.3,
455/575.1

See application file for complete search history.

(56) **References Cited**

U.S. PATENT DOCUMENTS

D311,007 S *	10/1990	Daido	D14/205
4,981,194 A *	1/1991	Kamon et al.	181/129
D316,550 S *	4/1991	Sogabe	D14/168
D318,473 S *	7/1991	Miyashita et al.	D14/223
D331,061 S *	11/1992	Hyohgo	D14/223
D331,062 S *	11/1992	Kanno	D14/223
D337,118 S *	7/1993	Seikita	D14/223
D340,932 S *	11/1993	Yan	D14/249
D353,379 S *	12/1994	Nakamura et al.	D14/223
5,809,159 A *	9/1998	Lee	381/380
D463,789 S *	10/2002	DeKalb et al.	D14/223
D485,548 S *	1/2004	Obata	D14/223

D510,337 S *	10/2005	Tages	D14/205
D523,846 S *	6/2006	Lee	D14/205
D554,109 S *	10/2007	Ledbetter et al.	D14/223
D554,627 S *	11/2007	Gondo	D14/223
D557,689 S *	12/2007	Huang	D14/223
D575,269 S *	8/2008	Ledbetter et al.	D14/205
D578,517 S *	10/2008	Pausch	D14/223
D643,417 S *	8/2011	Lee et al.	D14/223
D654,057 S *	2/2012	Burgett et al.	D14/205
D656,481 S *	3/2012	McManigal	D14/223
D657,780 S *	4/2012	Dahlberg	D14/223
8,208,661 B2 *	6/2012	Jiang et al.	381/164
D673,531 S *	1/2013	Lee et al.	D14/223
D674,781 S *	1/2013	Sakata	D14/223
D689,471 S *	9/2013	Hardi et al.	D14/223
D695,718 S	12/2013	Burgett et al.	D14/223
D695,719 S	12/2013	Burgett et al.	D14/223
D695,721 S *	12/2013	Thompson et al.	D14/223
D695,722 S *	12/2013	Thompson et al.	D14/223
D696,230 S	12/2013	Burgett et al.	D14/223
D697,050 S *	1/2014	Thompson et al.	D14/206
D699,213 S	2/2014	Burgett et al.	D14/223
2013/0188804 A1	7/2013	Burgett	D14/223
2013/0336495 A1	12/2013	Burgett et al.	D14/223

* cited by examiner

Primary Examiner — Paula Greene

(74) *Attorney, Agent, or Firm* — Plumsea Law Group, LLC

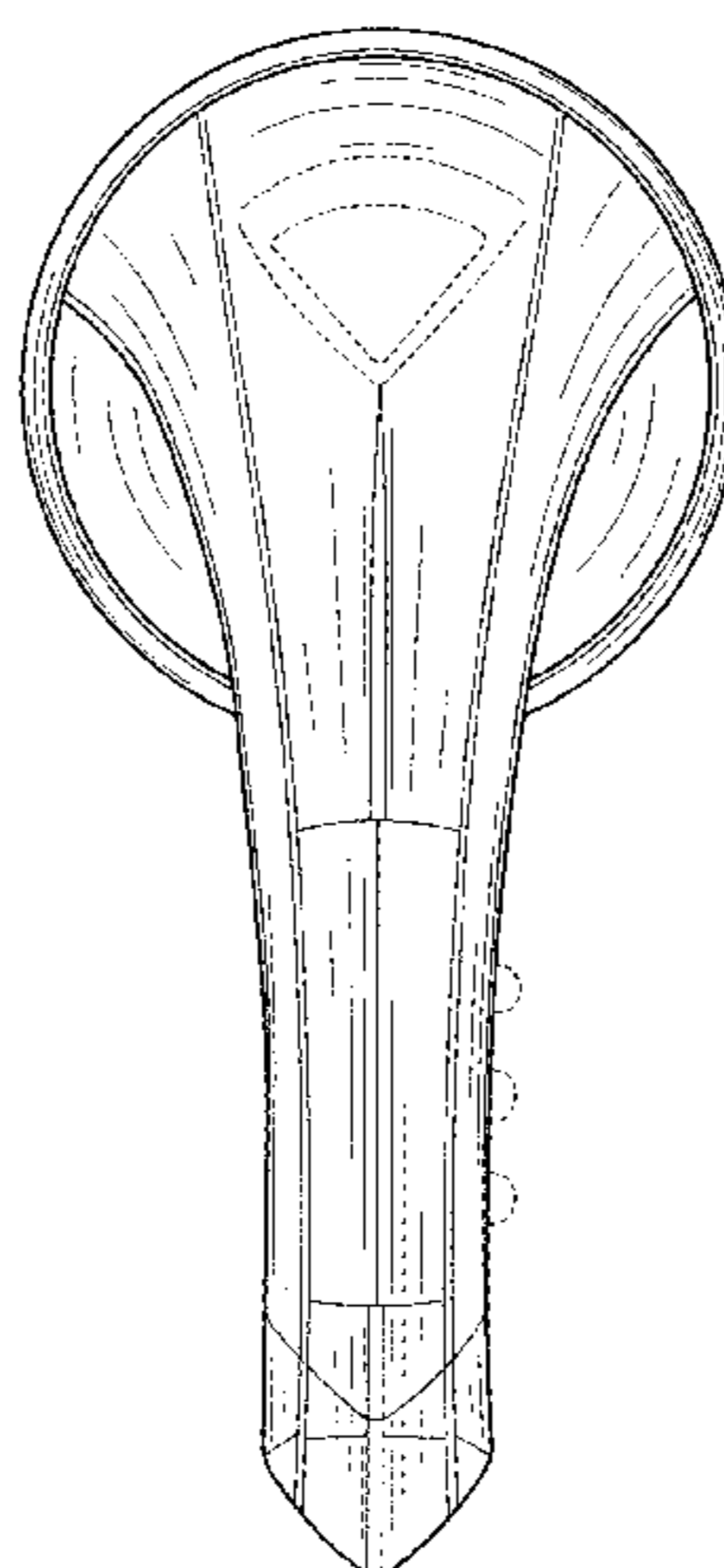
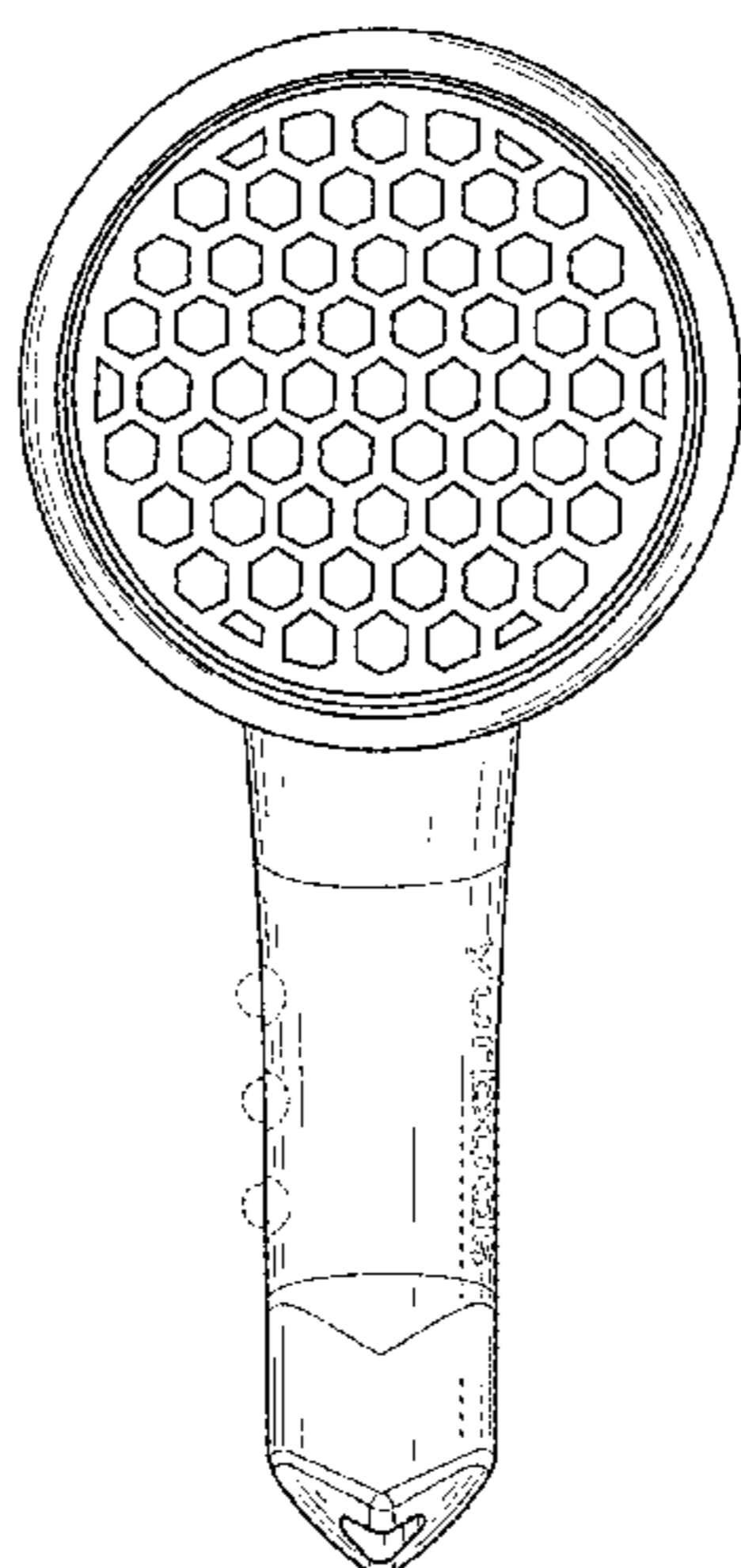
(57) **CLAIM**

The ornamental design for an earphone, as shown and described.

DESCRIPTION

FIG. 1 is a front elevation view of the earphone;
FIG. 2 is a rear elevation view thereof;
FIG. 3 is a left-side elevation view thereof;
FIG. 4 is a right-side elevation view thereof;
FIG. 5 is a top plan view thereof; and,
FIG. 6 is a bottom plan view thereof.
The dashed lines show embellishments that do not form a part of the claimed design.

1 Claim, 3 Drawing Sheets



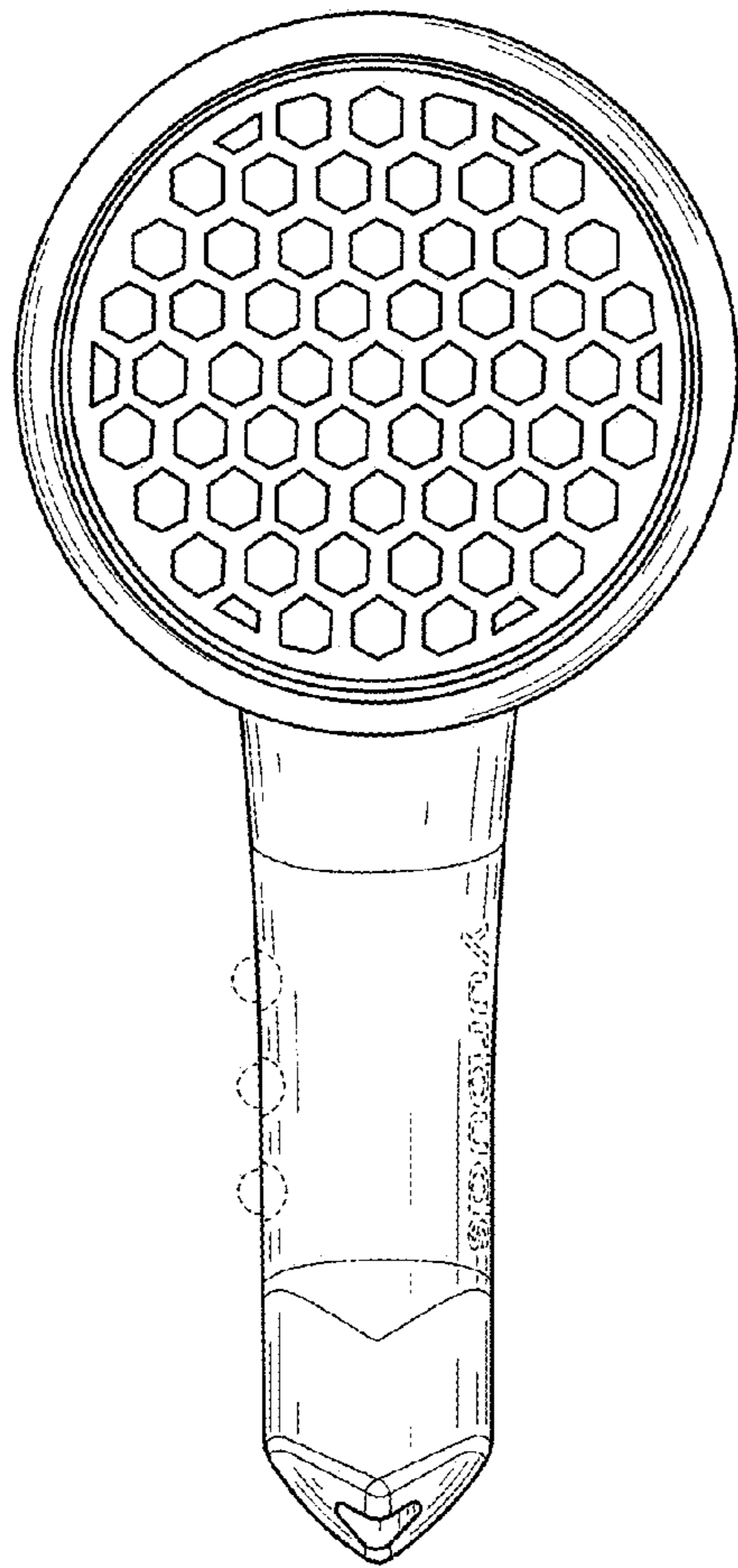


FIG. 1

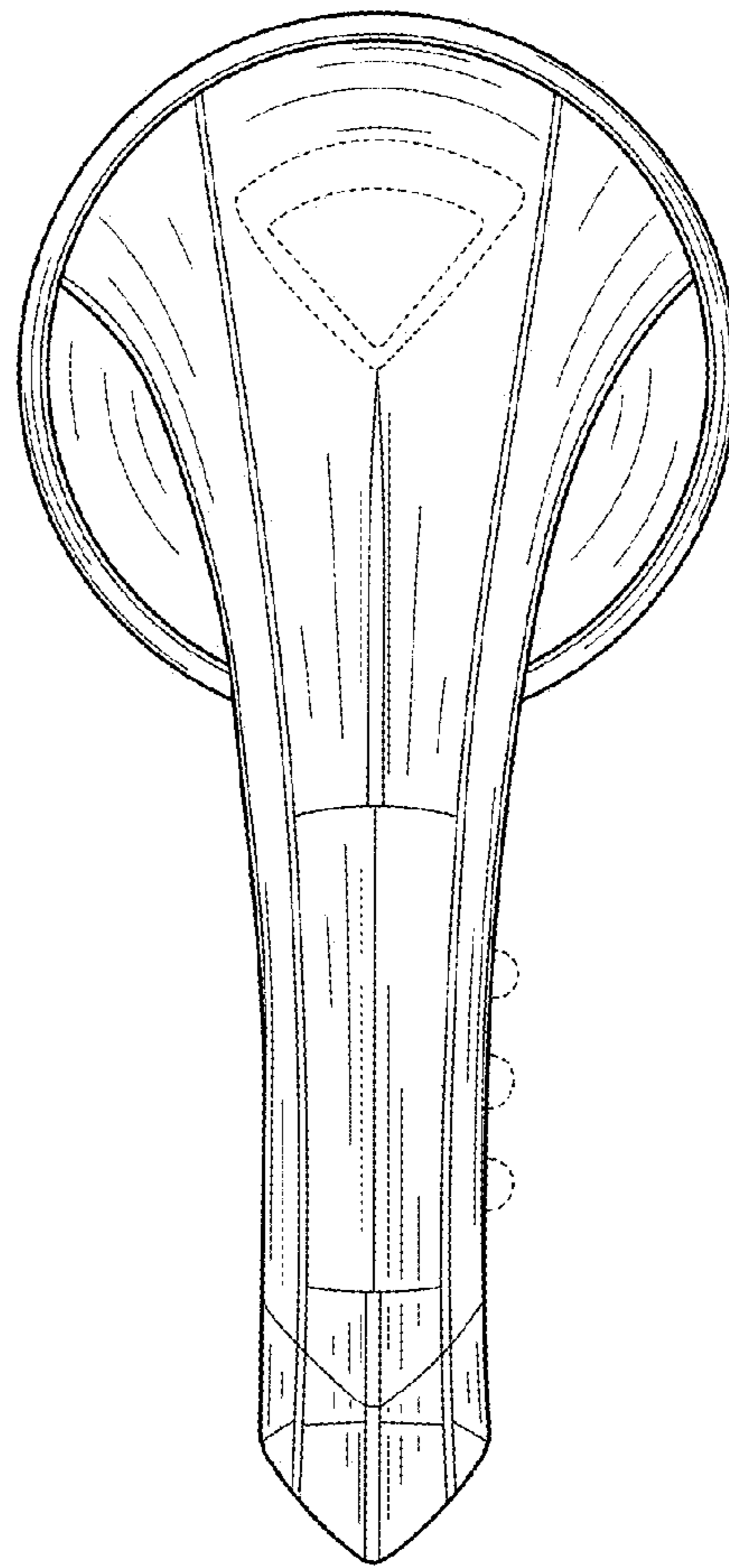


FIG. 2

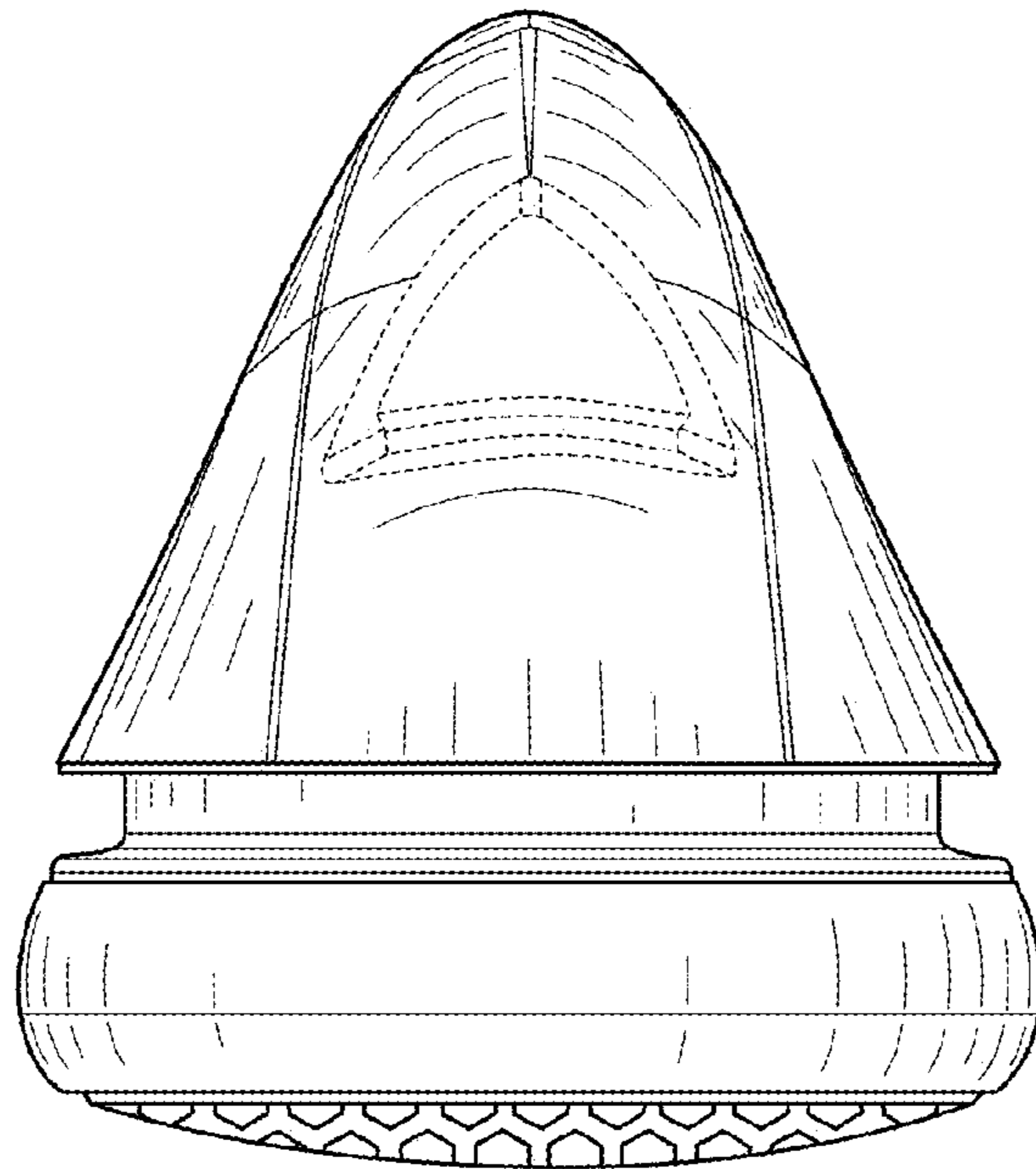


FIG. 3

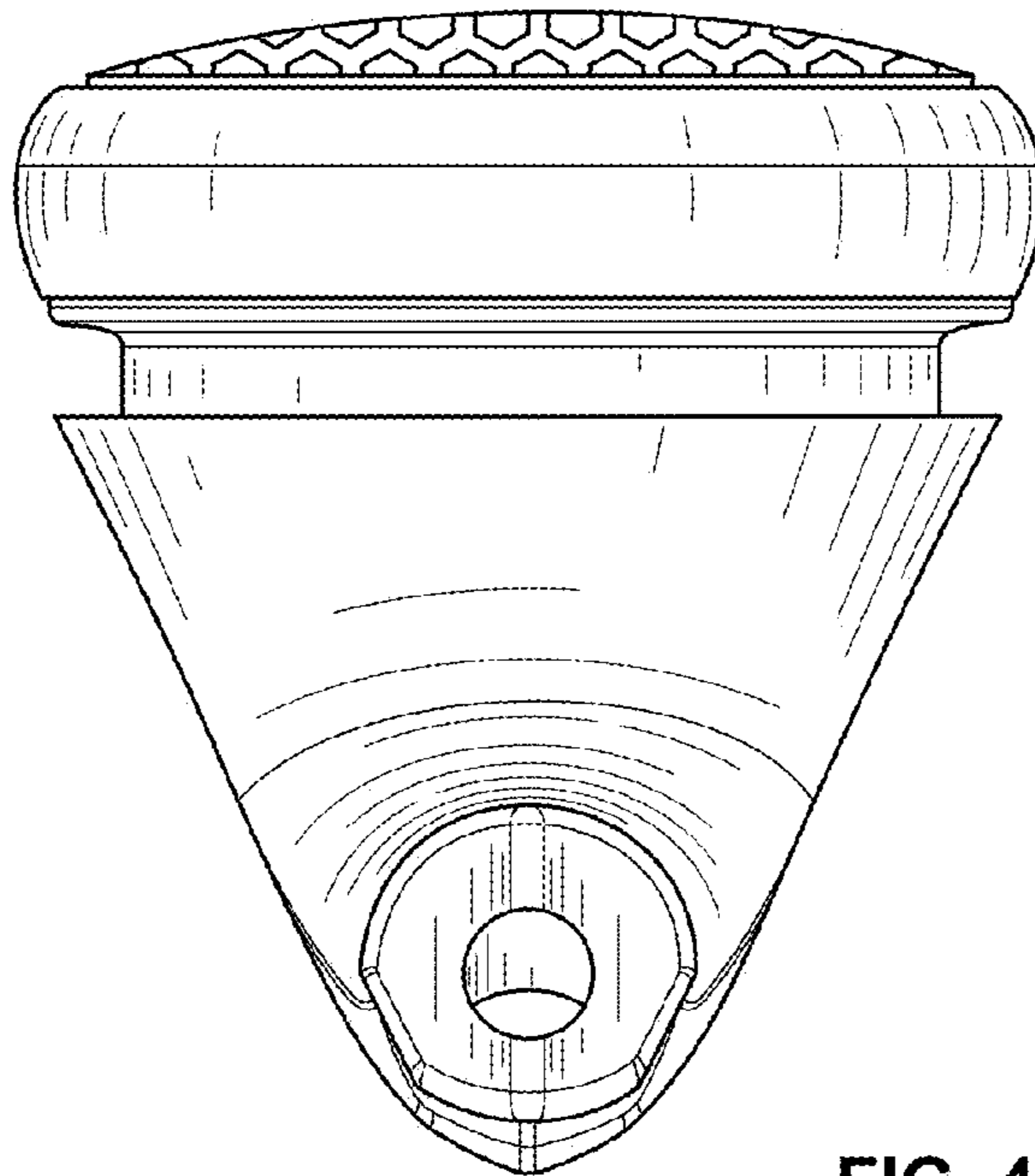


FIG. 4

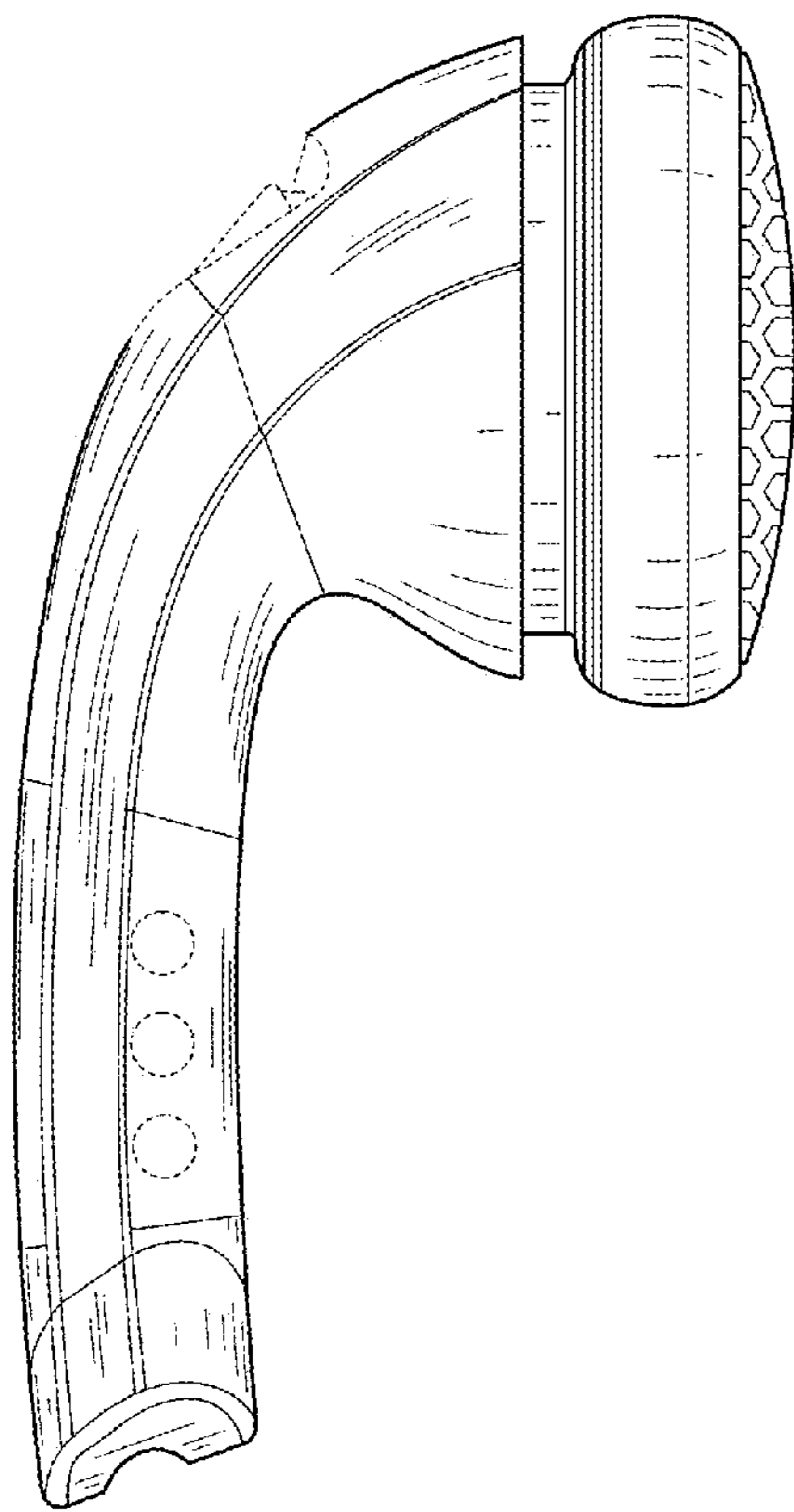


FIG. 5

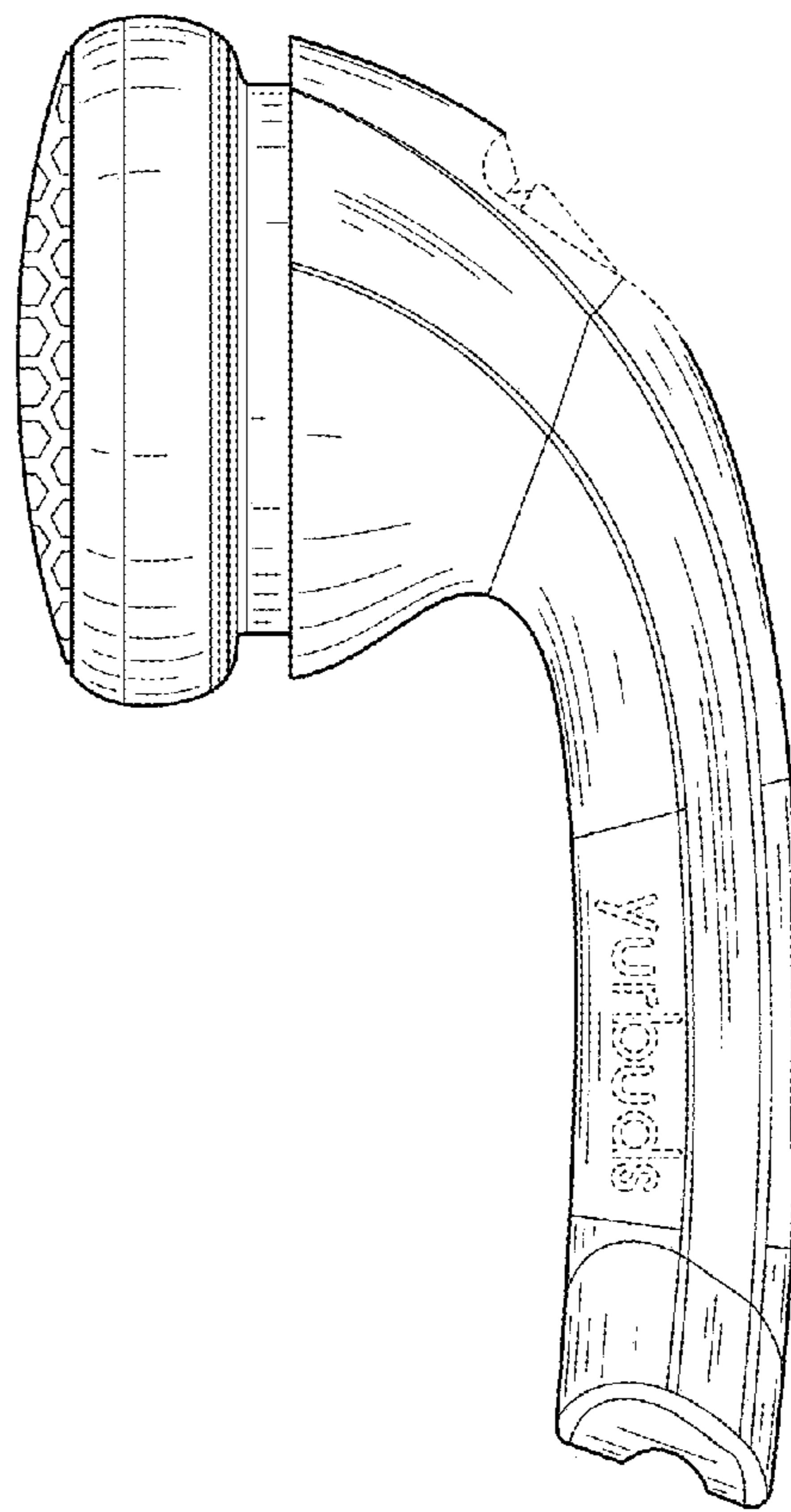


FIG. 6