



US00D725631S

(12) **United States Design Patent**
McNamara

(10) **Patent No.:** **US D725,631 S**
(45) **Date of Patent:** **** Mar. 31, 2015**

(54) **SPEAKER**
(71) Applicant: **Sol Republic, Inc.**, Wilsonville, OR
(US)
(72) Inventor: **Greg McNamara**, San Francisco, CA
(US)
(73) Assignee: **Sol Republic Inc.**, Wilsonville, OR (US)

(**) Term: **14 Years**

(21) Appl. No.: **29/462,223**

(22) Filed: **Jul. 31, 2013**

(51) **LOC (10) Cl.** **14-03**

(52) **U.S. Cl.**
USPC **D14/214**

(58) **Field of Classification Search**
USPC D14/167, 168, 170–172, 188, 194–196,
D14/204, 207, 209.1, 210–216, 219, 221,
D14/222, 224, 496; 181/143, 144, 147, 148,
181/150, 153, 157, 198, 199; 381/300–303,
381/306, 332, 333, 336, 345, 361–364,
381/386–388; 369/6–12

See application file for complete search history.

(56) **References Cited**

U.S. PATENT DOCUMENTS

D526,643 S * 8/2006 Ishizaki D14/214
D545,300 S * 6/2007 Hong et al. D14/214

D568,871 S * 5/2008 Wikel et al. D14/214
D582,392 S * 12/2008 Pauschitz et al. D14/215
D584,287 S * 1/2009 Pauschitz et al. D14/214
D587,244 S * 2/2009 Lim et al. D14/214
D612,868 S * 3/2010 Morabito D14/496
D681,006 S * 4/2013 Kim D14/209.1
D686,182 S * 7/2013 Ashiwa et al. D14/149
D713,381 S * 9/2014 Riggs et al. D14/214

* cited by examiner

Primary Examiner — Keli L Hill

(74) *Attorney, Agent, or Firm* — Alleman Hall McCoy
Russell & Tuttle LLP

(57) **CLAIM**

The ornamental design for a speaker, as shown and described.

DESCRIPTION

FIG. 1 is a front perspective view of an ornamental design for a speaker, according to the invention.

FIG. 2 is a top view of the speaker of FIG. 1.

FIG. 3 is a bottom view of the speaker of FIG. 1.

FIG. 4 is a front view of the speaker of FIG. 1.

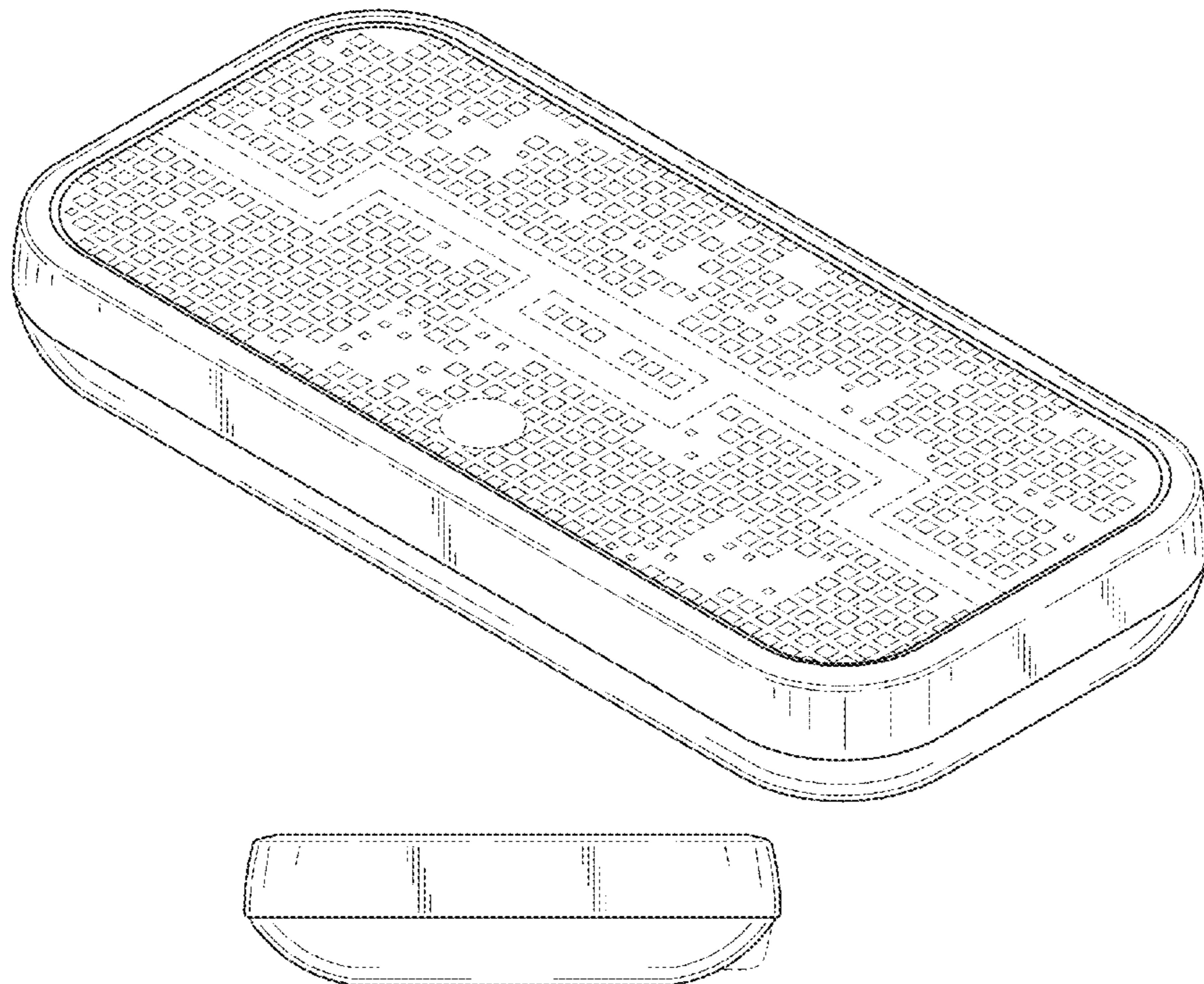
FIG. 5 is a rear view of the speaker of FIG. 1.

FIG. 6 is a right side view of the speaker of FIG. 1; and,

FIG. 7 is a left side view of the speaker of FIG. 1.

The features shown in broken lines depict environmental subject matter only and form no part of the claimed design.

1 Claim, 3 Drawing Sheets



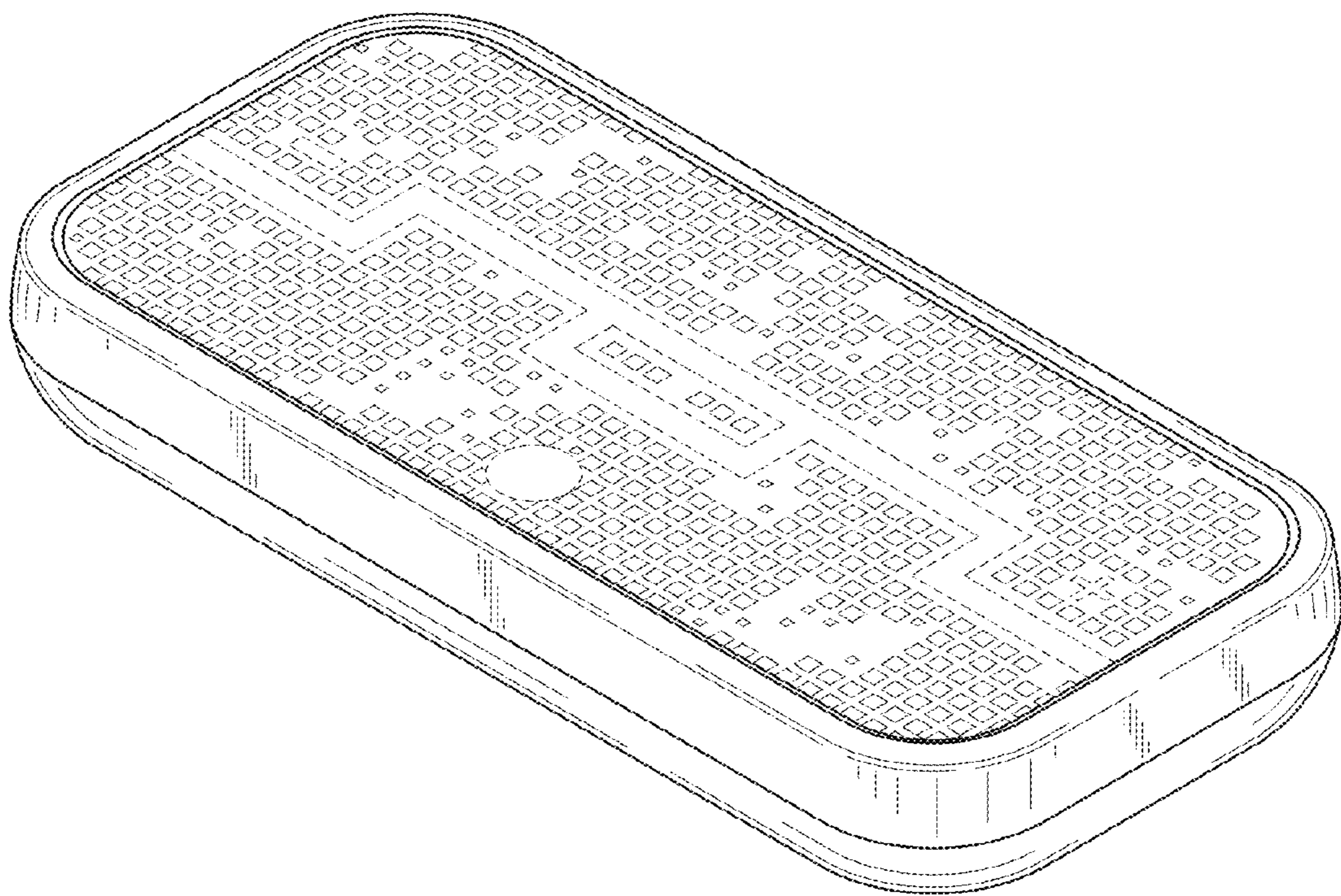


FIG. 1

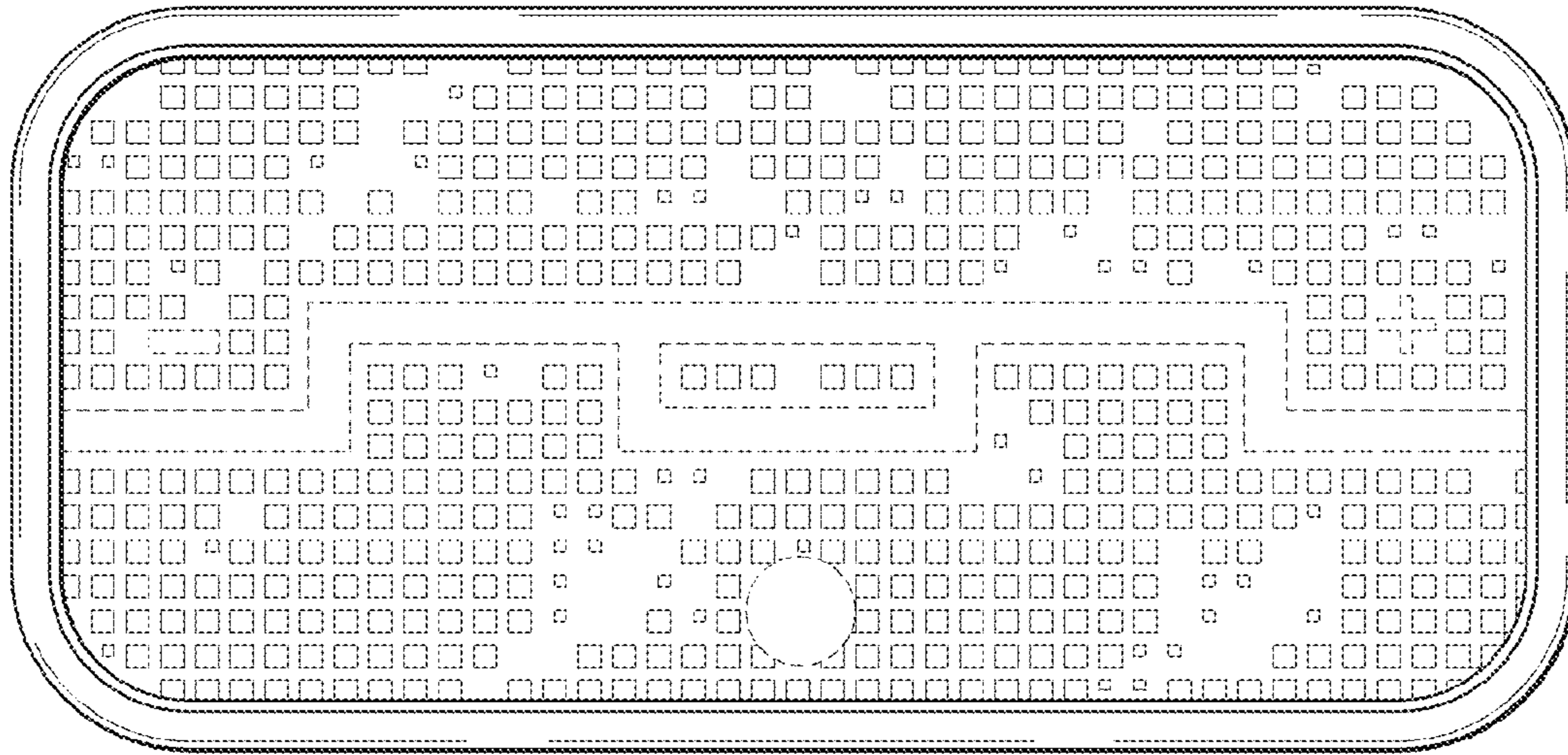


FIG. 2

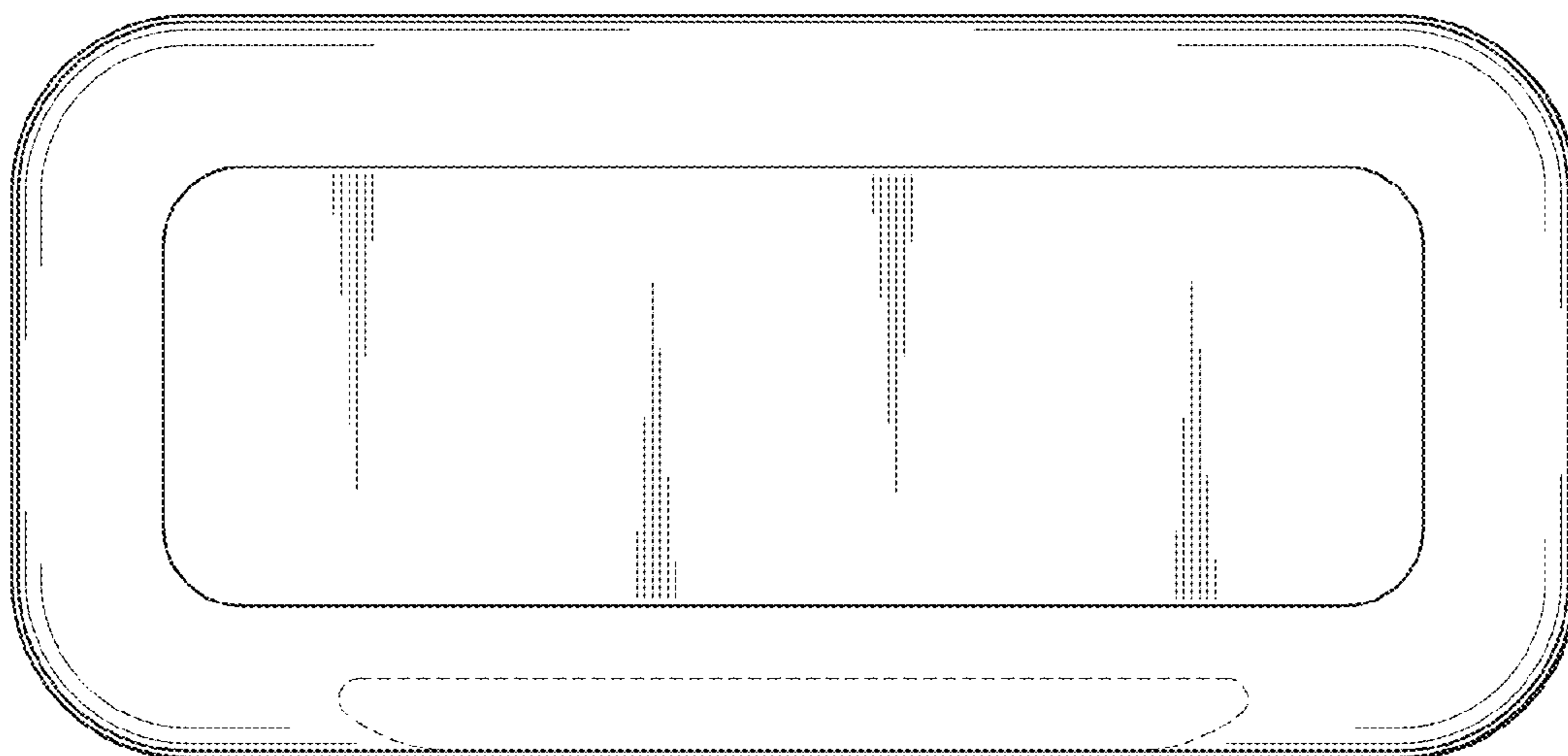


FIG. 3

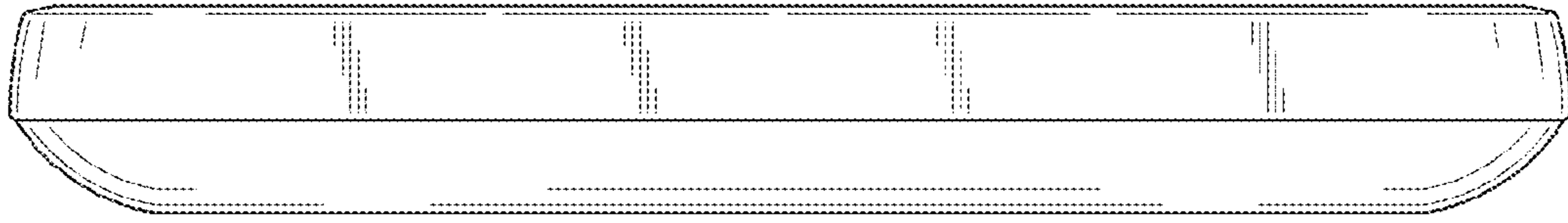


FIG. 4

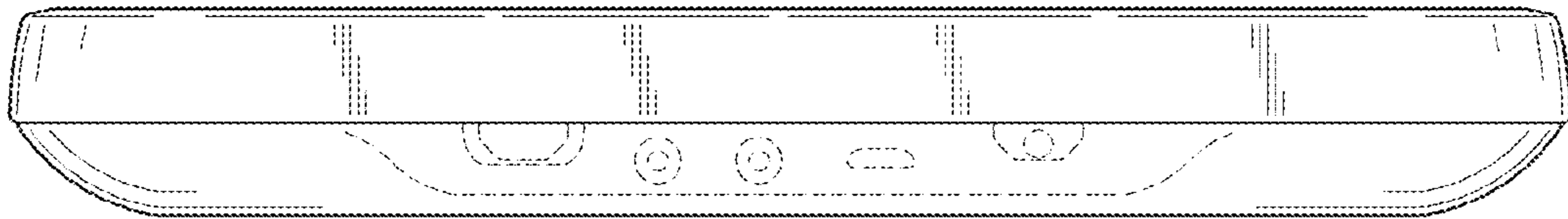


FIG. 5

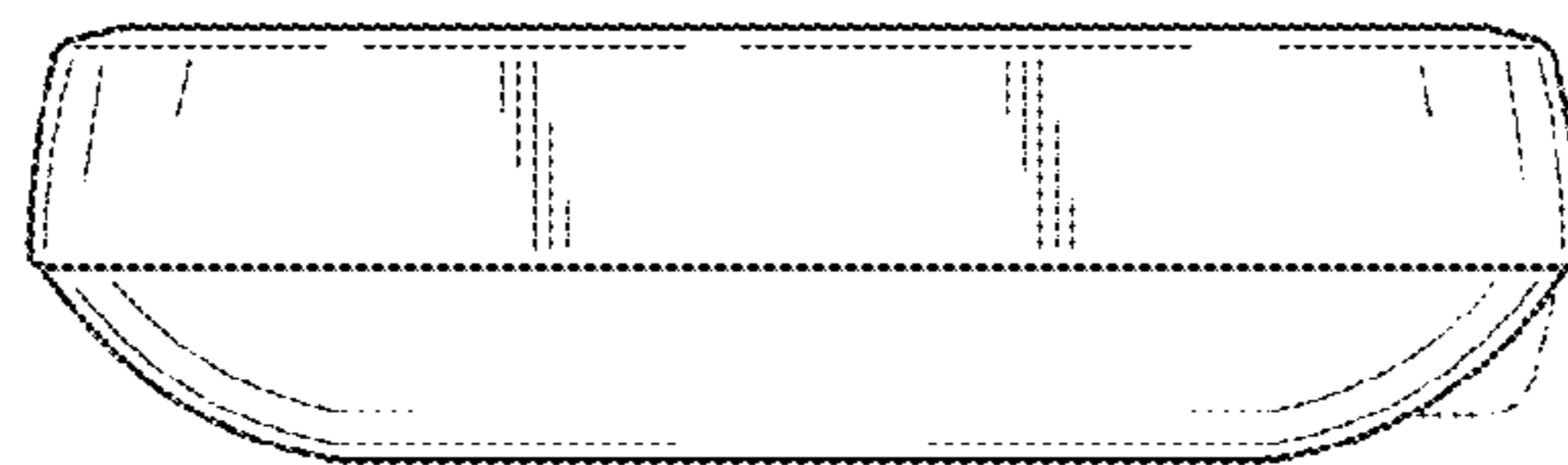


FIG. 6

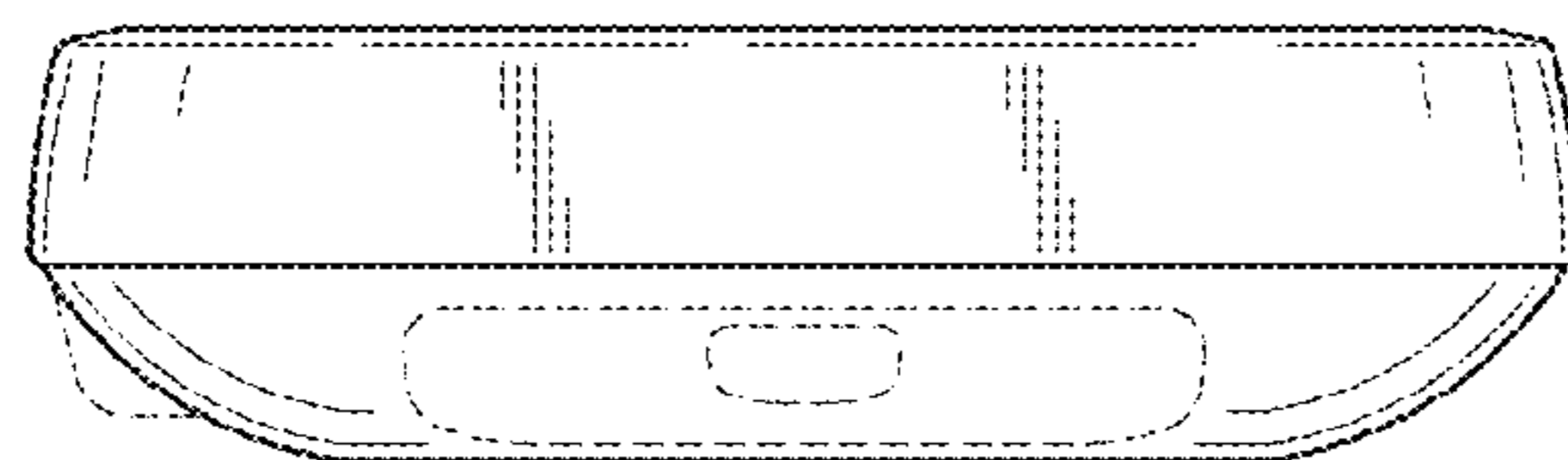


FIG. 7