



US00D725630S

(12) **United States Design Patent**
Nakagawa

(10) **Patent No.:** **US D725,630 S**
(45) **Date of Patent:** **** Mar. 31, 2015**

(54) **HEADPHONES**

(71) Applicant: **Panasonic Corporation**, Osaka (JP)

(72) Inventor: **Hitoshi Nakagawa**, Osaka (JP)

(73) Assignee: **Panasonic Intellectual Property Management Co., Ltd.**, Osaka (JP)

(**) Term: **14 Years**

(21) Appl. No.: **29/488,725**

(22) Filed: **Apr. 23, 2014**

(30) **Foreign Application Priority Data**

Nov. 29, 2013 (JP) 2013-027972

(51) **LOC (10) Cl.** **14-01**

(52) **U.S. Cl.**
USPC **D14/205**

(58) **Field of Classification Search**
CPC H04R 1/1066
USPC D14/205; D29/112; 2/209; 181/129,
181/130, 135; 379/430, 431; 381/380, 381;
455/90.3, 575.1
See application file for complete search history.

(56) **References Cited**

U.S. PATENT DOCUMENTS

5,793,865	A *	8/1998	Leifer	379/430
6,093,202	A *	7/2000	Dyken et al.	607/109
6,392,196	B1 *	5/2002	Lin	219/211
D609,694	S *	2/2010	Komiyama	D14/205
D616,418	S *	5/2010	Morisawa	D14/205
D636,377	S *	4/2011	Morisawa	D14/205
D637,176	S *	5/2011	Brunner et al.	D14/205
D657,346	S *	4/2012	Park	D14/205
D662,912	S *	7/2012	Iijima et al.	D14/205

D672,745	S *	12/2012	Abed et al.	D14/205
D673,519	S *	1/2013	Tan	D14/205
D675,595	S *	2/2013	Cho et al.	D14/205
D683,329	S *	5/2013	Hagelin	D14/205
D684,559	S *	6/2013	Groset et al.	D14/205
D689,463	S *	9/2013	Hardi et al.	D14/205
D692,853	S *	11/2013	Nokuo	D14/205
D696,226	S *	12/2013	Brunner et al.	D14/205
D707,200	S *	6/2014	Yang	D14/205
D709,860	S *	7/2014	Brunner et al.	D14/205
D714,756	S *	10/2014	Xiang et al.	D14/205
D719,136	S *	12/2014	Schaal et al.	D14/206
D721,052	S *	1/2015	Carr et al.	D14/205

FOREIGN PATENT DOCUMENTS

EM 001313845-0001 3/2012

* cited by examiner

Primary Examiner — Paula Greene

(74) *Attorney, Agent, or Firm* — Panasonic Patent Center

(57) **CLAIM**

I claim the ornamental design for headphones, as shown and described.

DESCRIPTION

FIG. 1 is a rear perspective view of headphones of the present invention;

FIG. 2 is a front view thereof;

FIG. 3 is a rear view thereof;

FIG. 4 is a first side view thereof;

FIG. 5 is a second side view thereof;

FIG. 6 is a top view thereof; and,

FIG. 7 is a bottom view thereof.

The broken line showing of headphones is included for the purpose of illustrating environment and forms no part of the claimed design.

1 Claim, 7 Drawing Sheets

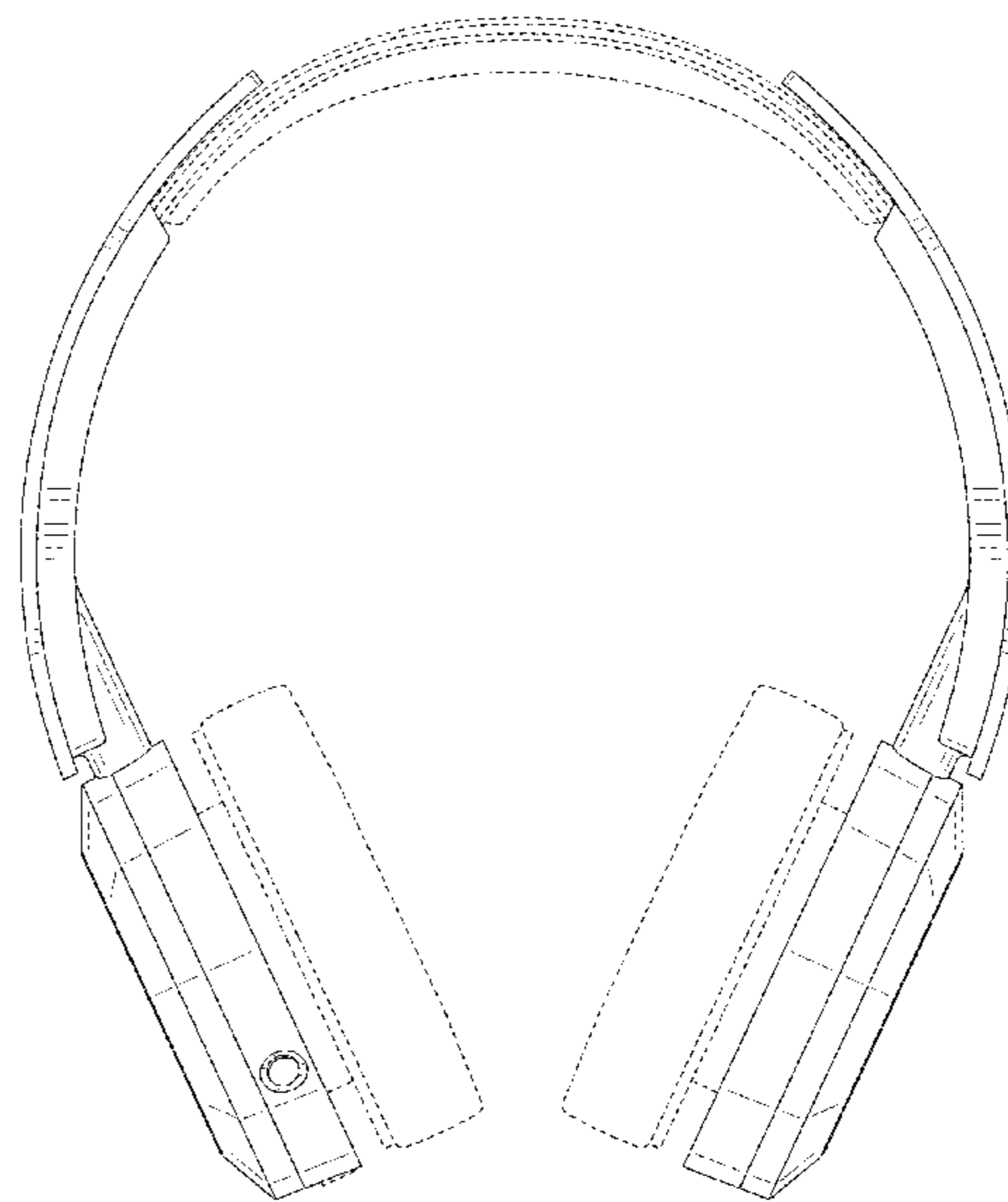
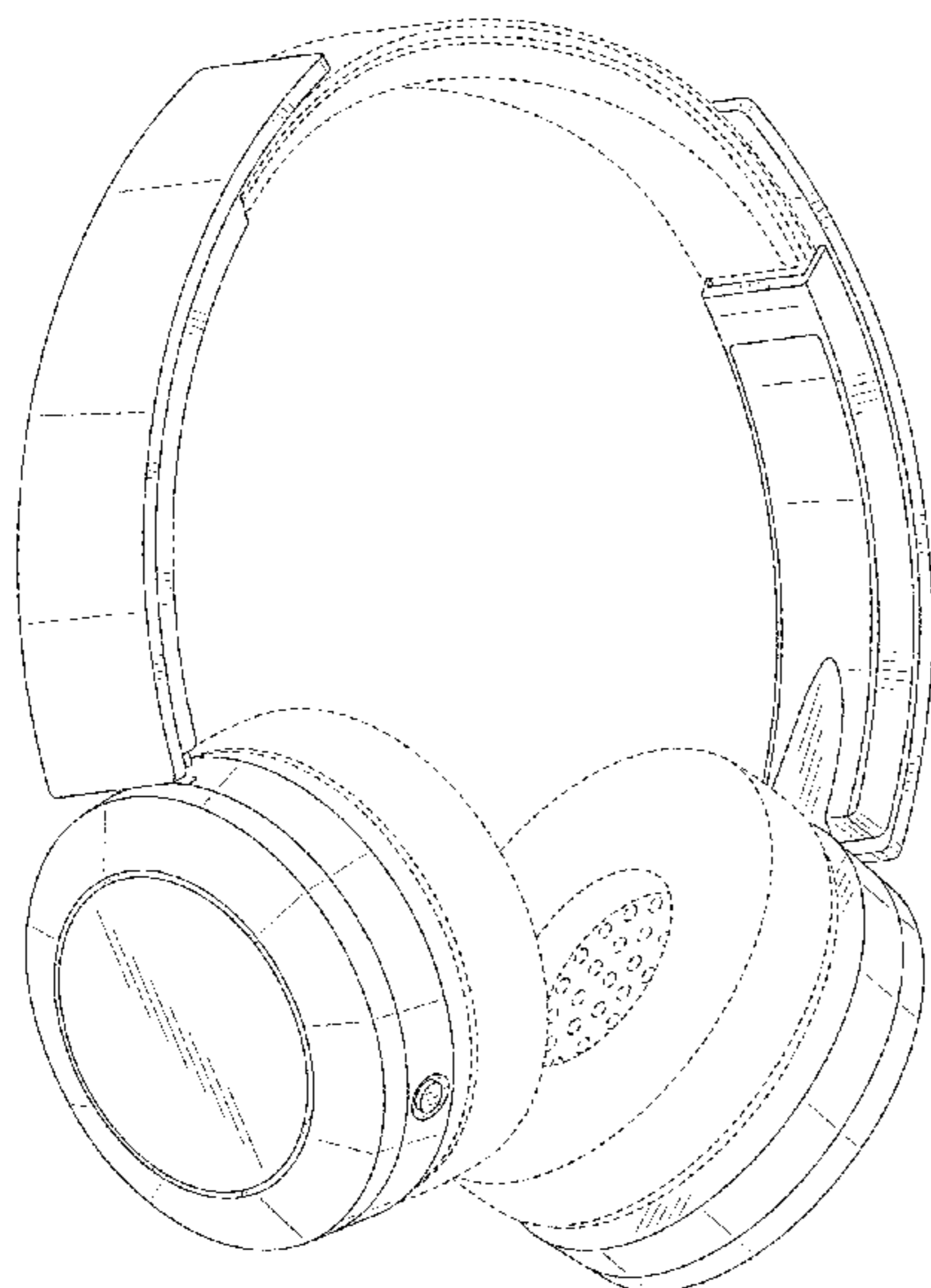


FIG. 1

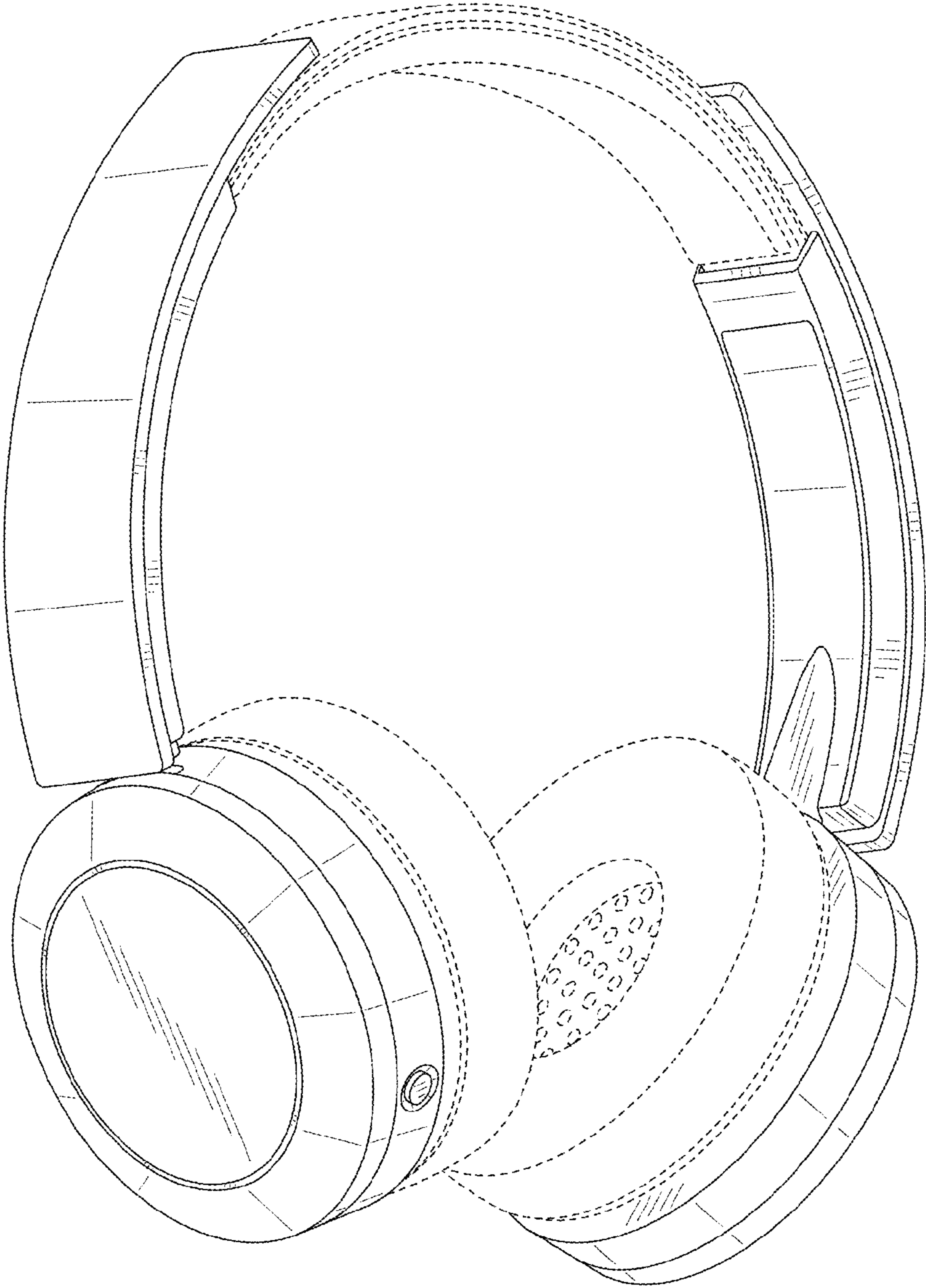


FIG. 2

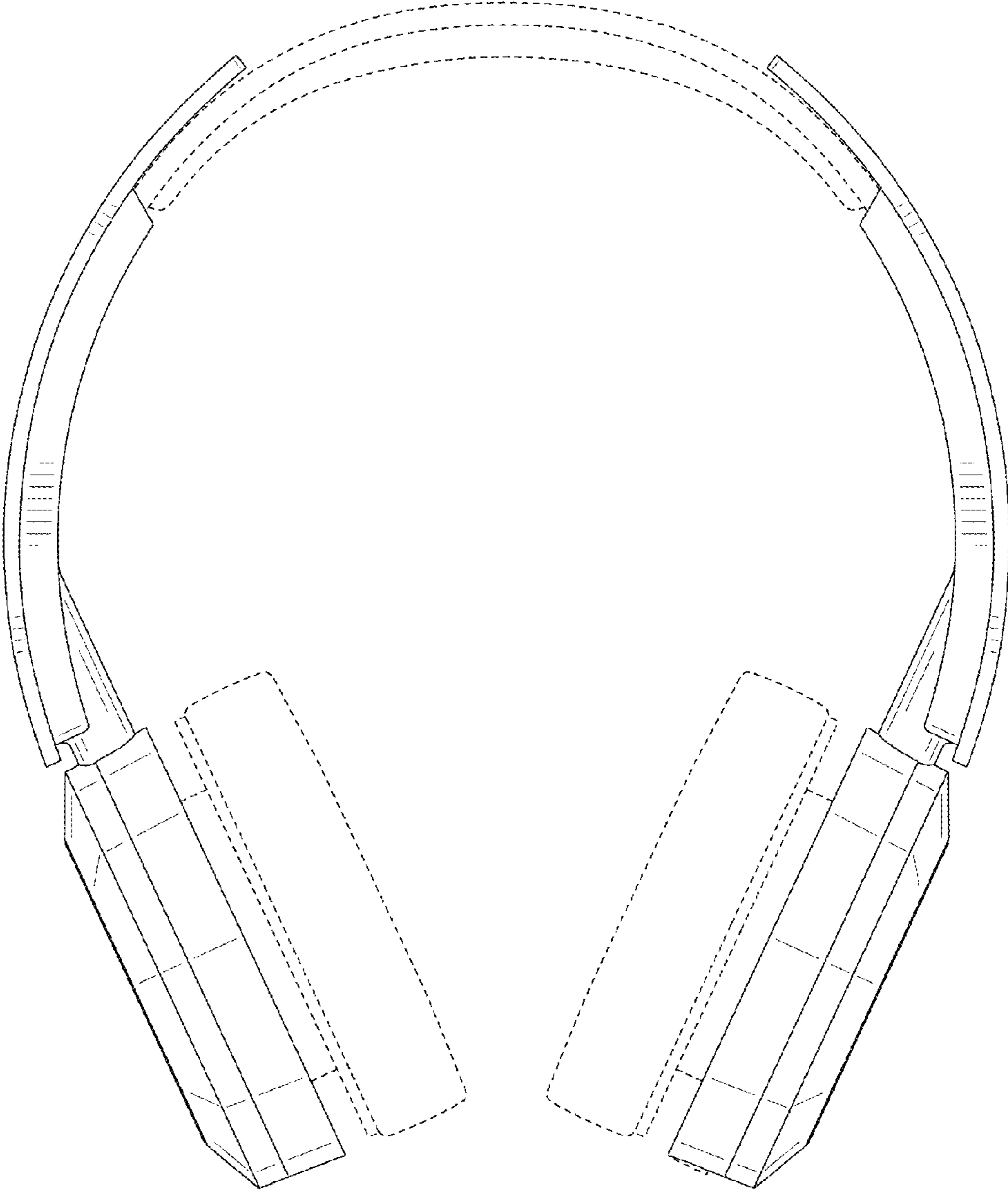


FIG. 3



FIG. 4

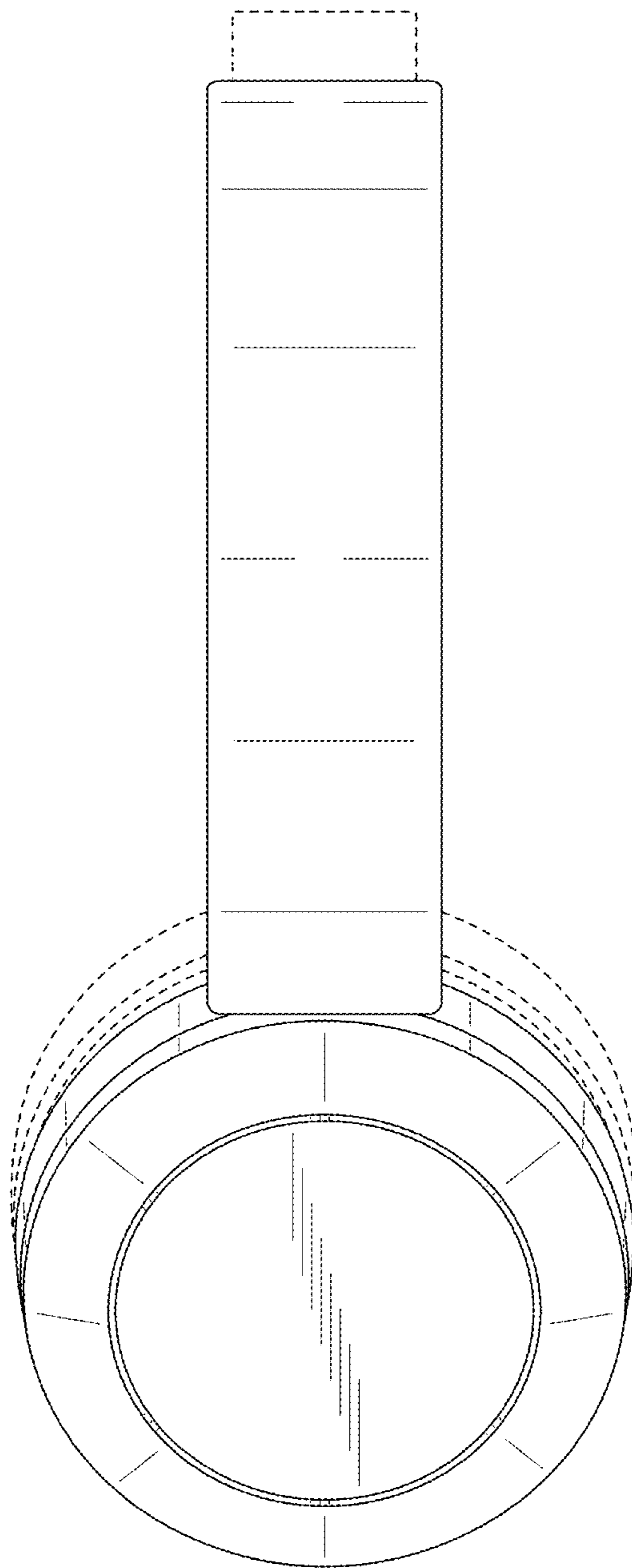


FIG. 5

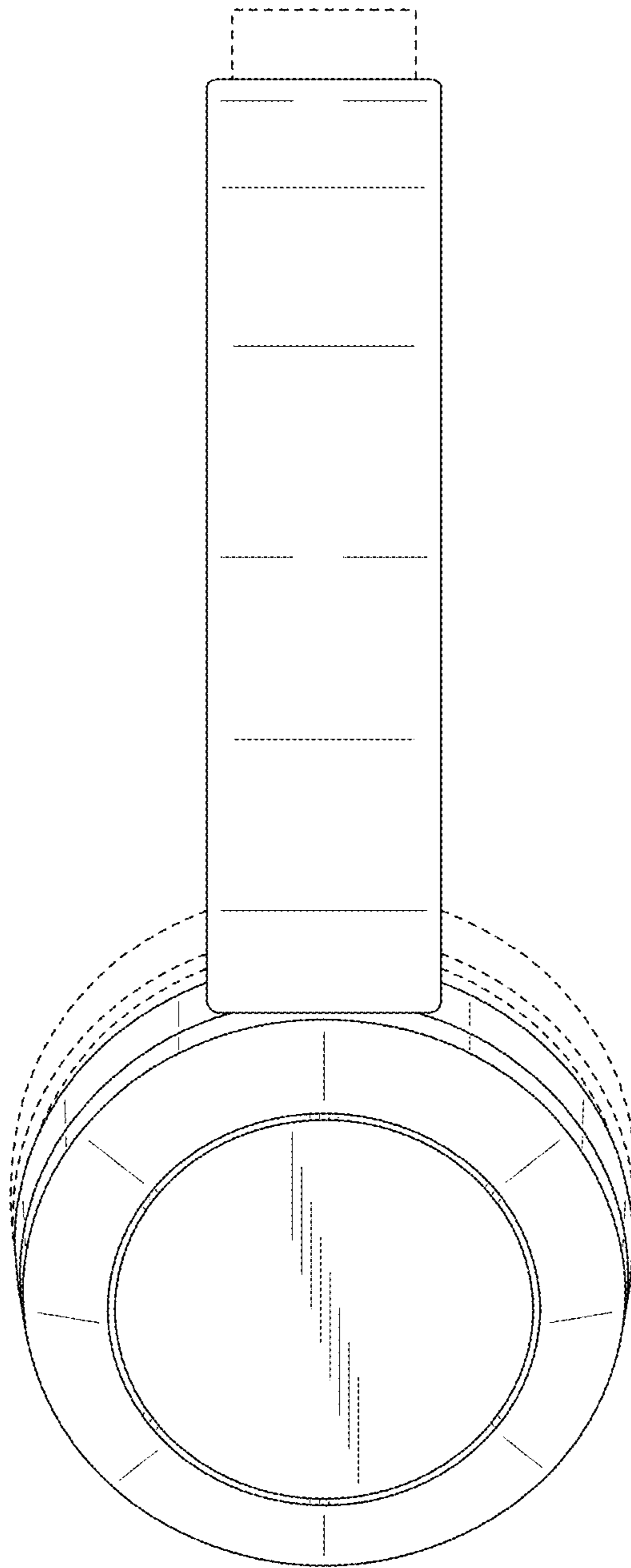


FIG. 6

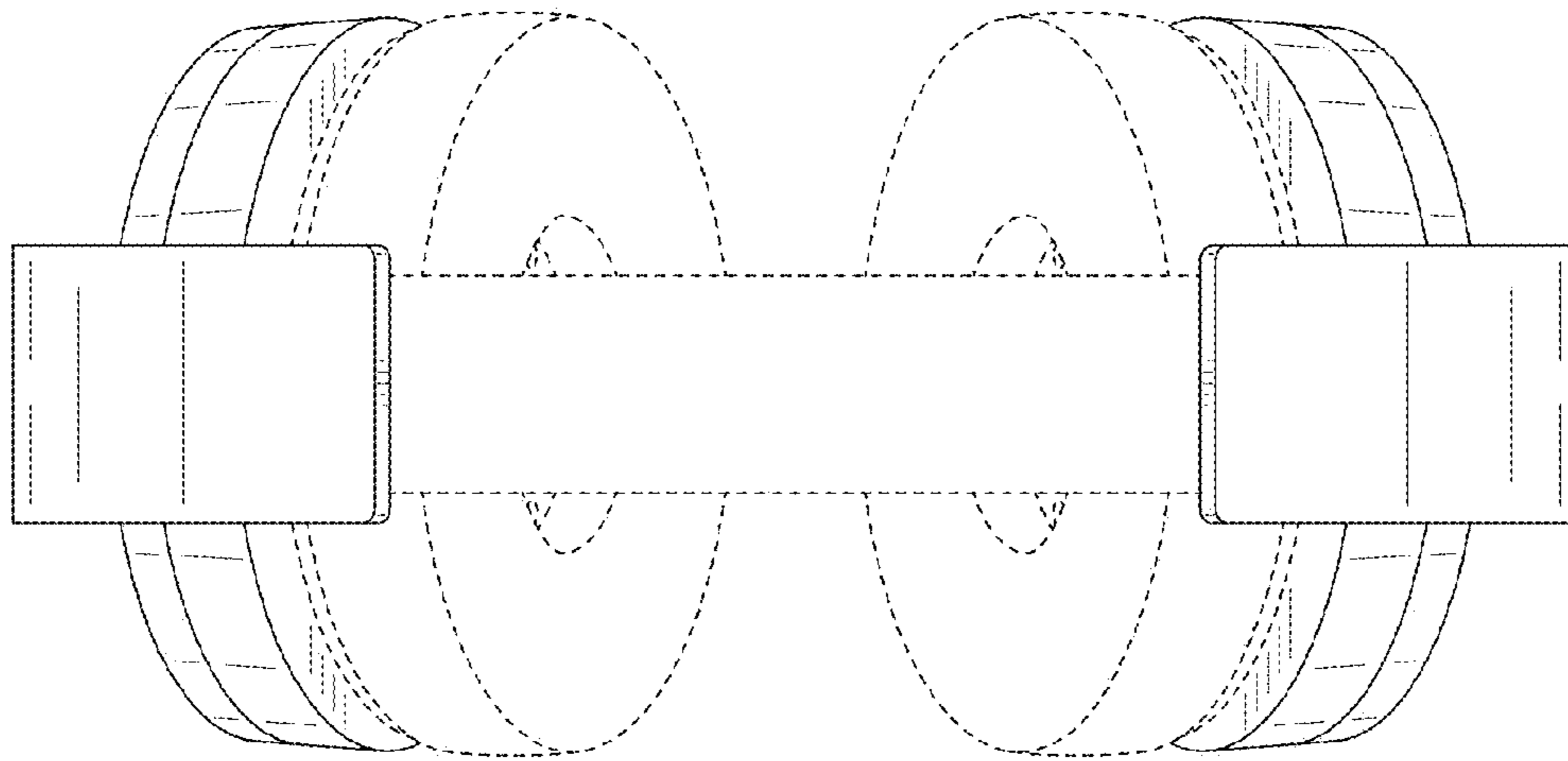


FIG. 7

